



US00D716514S

(12) **United States Design Patent**
Kritzer

(10) **Patent No.:** **US D716,514 S**

(45) **Date of Patent:** **** Oct. 28, 2014**

- (54) **PORTABLE AUTOMOBILE LIFT**
- (71) Applicant: **BendPak, Inc.**, Santa Paula, CA (US)
- (72) Inventor: **Jeffrey S. Kritzer**, Moorpark, CA (US)
- (73) Assignee: **BendPak, Inc.**, Santa Paula, CA (US)
- (**) Term: **14 Years**

D346,255 S *	4/1994	Francis et al.	D34/31
D375,602 S	11/1996	Henthorn et al.		
D378,155 S *	2/1997	Bartow et al.	D34/28
6,059,263 A *	5/2000	Otema et al.	254/89 H
D596,823 S *	7/2009	Thurm	D34/28
D703,906 S *	4/2014	Gann et al.	D34/28
2010/0207085 A1 *	8/2010	Thurm	254/2 C
2014/0014886 A1 *	1/2014	Ruth sen.	254/122

* cited by examiner

- (21) Appl. No.: **29/467,149**
- (22) Filed: **Sep. 16, 2013**
- (51) **LOC (10) Cl.** **12-05**
- (52) **U.S. Cl.**
USPC **D34/28**
- (58) **Field of Classification Search**
CPC B66F 7/065; B66F 7/0641; B66F 7/0625;
B66F 7/08; B66F 13/00; B66F 3/24; B66F
5/04; B62B 3/0625
USPC D34/28, 31; 254/1, 10 R, 122, 93 R, 8 B,
254/10 C, 8 R, 9 C, 10 B, 9 B, 9 R, 93 H
See application file for complete search history.

Primary Examiner — Cynthia Ramirez
(74) *Attorney, Agent, or Firm* — Erickson Kernell Deruseau & Kleypas, LLC

(57) **CLAIM**
The ornamental design for a portable automobile lift, as shown and described.

DESCRIPTION

FIG. 1 is a perspective view of a portable automobile lift; FIG. 2 is a left side elevational view thereof; FIG. 3 is a right side elevational view thereof; FIG. 4 is a front elevational view thereof; FIG. 5 is a rear elevational view thereof; FIG. 6 is a top plan view thereof; and, FIG. 7 is a bottom plan view thereof.

- (56) **References Cited**
U.S. PATENT DOCUMENTS
4,848,732 A * 7/1989 Rossato 254/90
D344,835 S * 3/1994 MacEachern D34/31

1 Claim, 3 Drawing Sheets

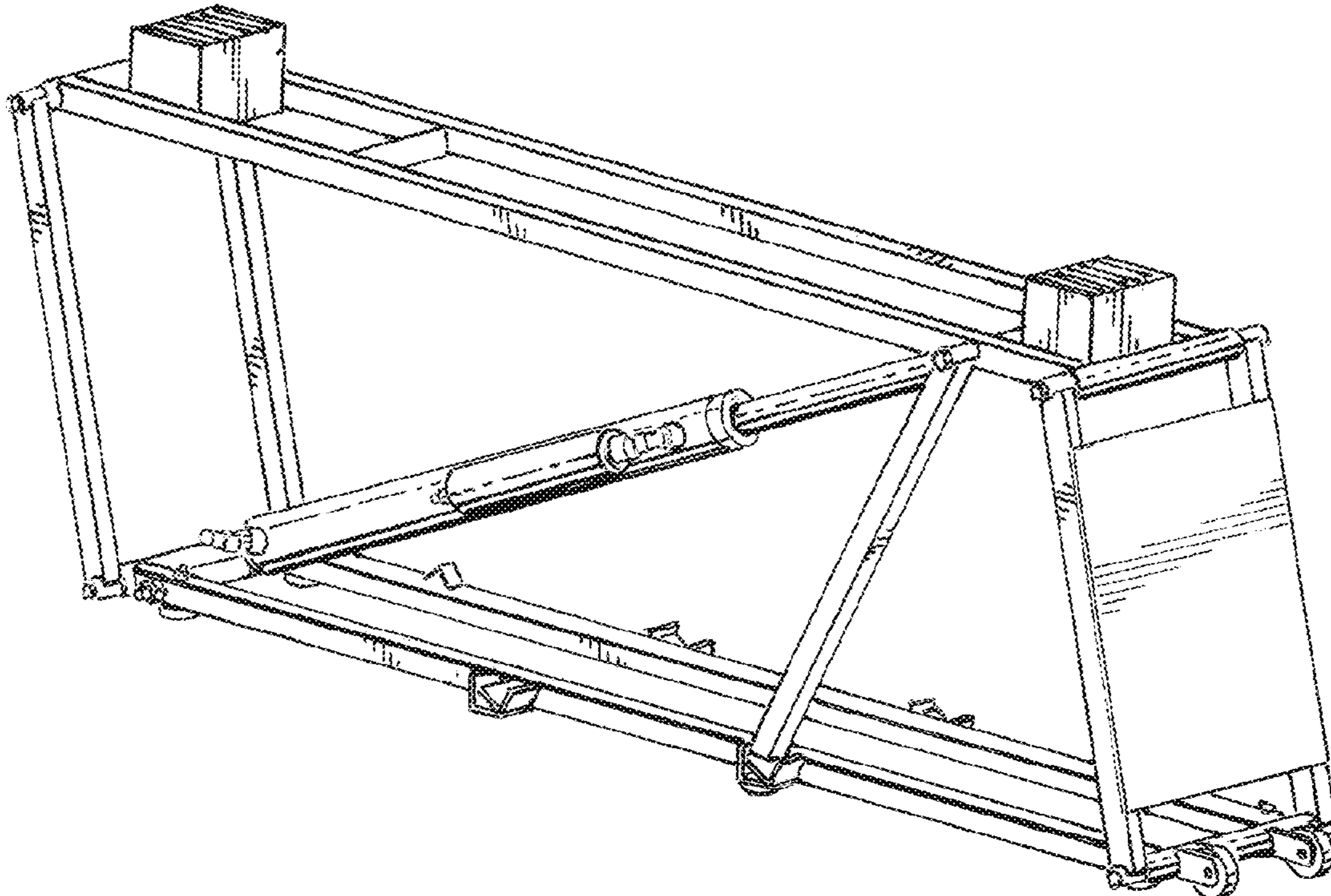


Fig. 1.

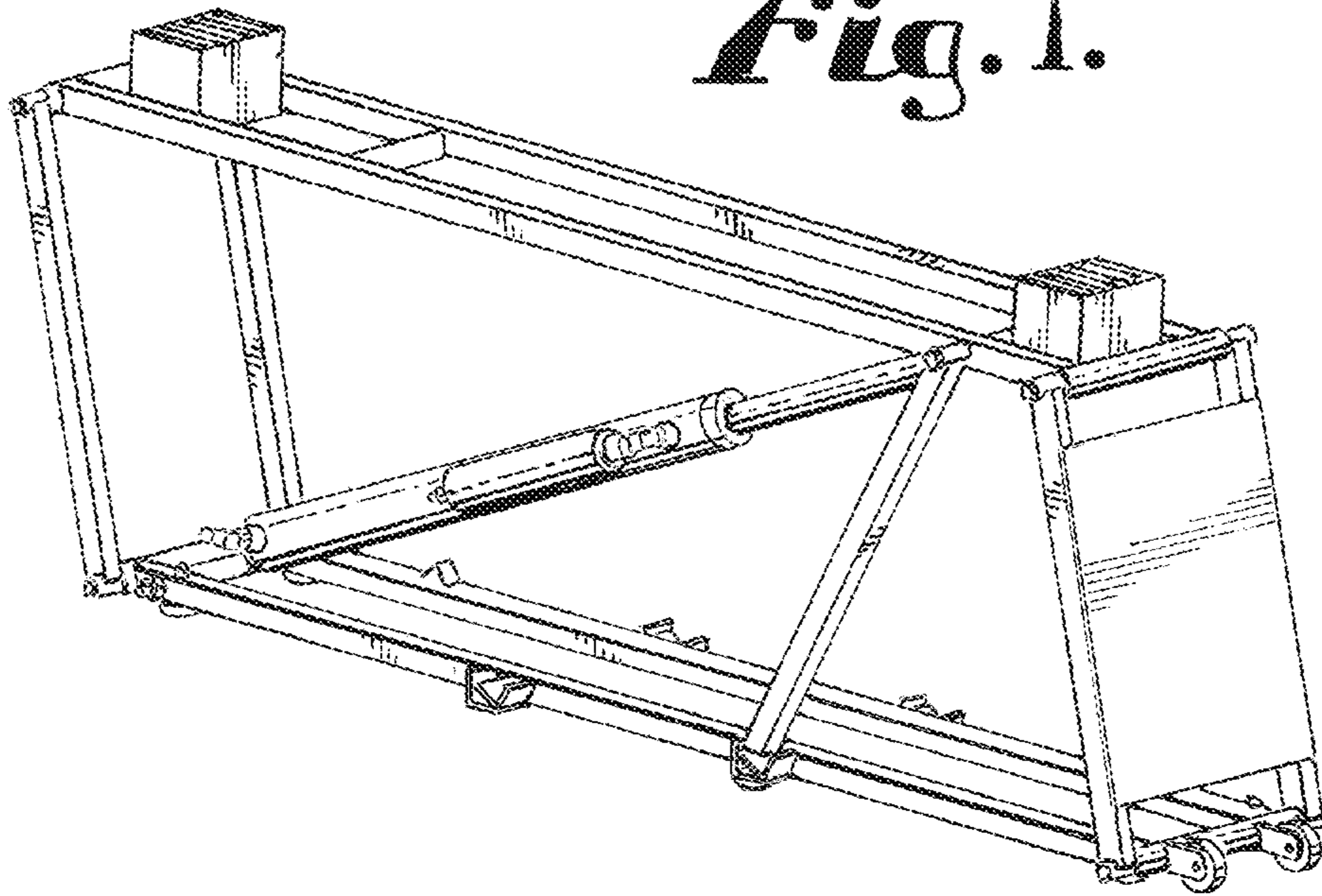
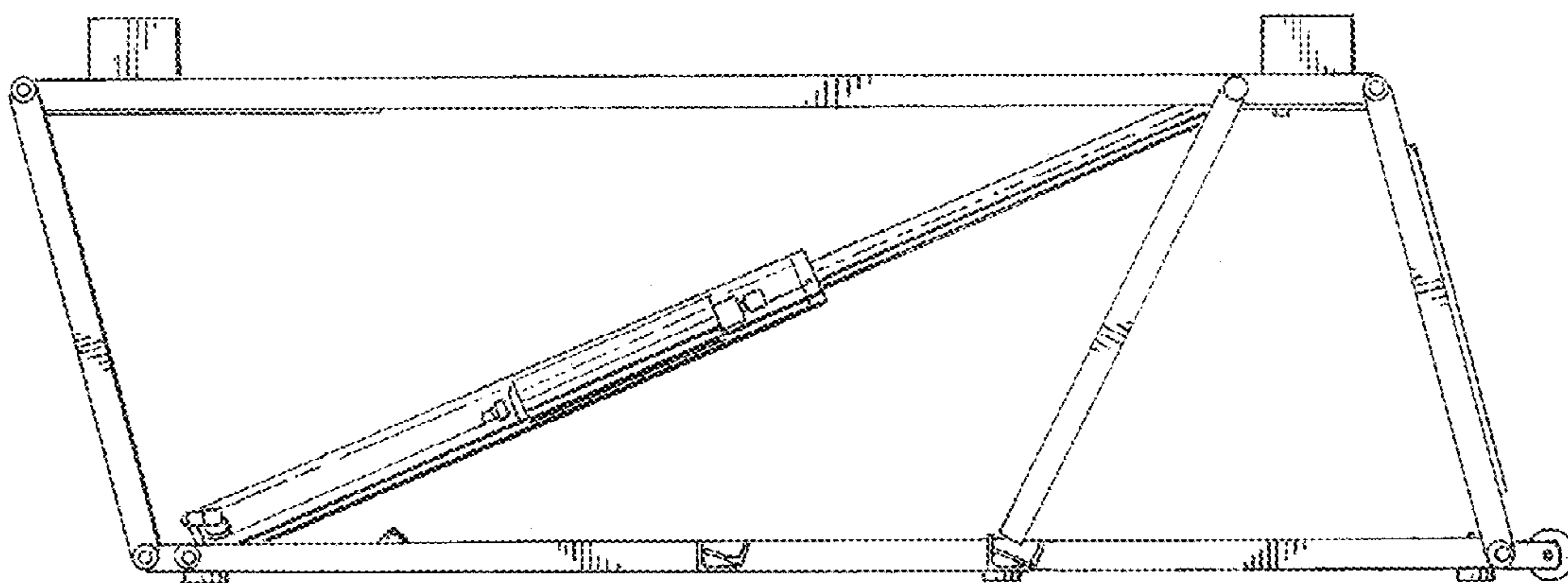


Fig. 2.



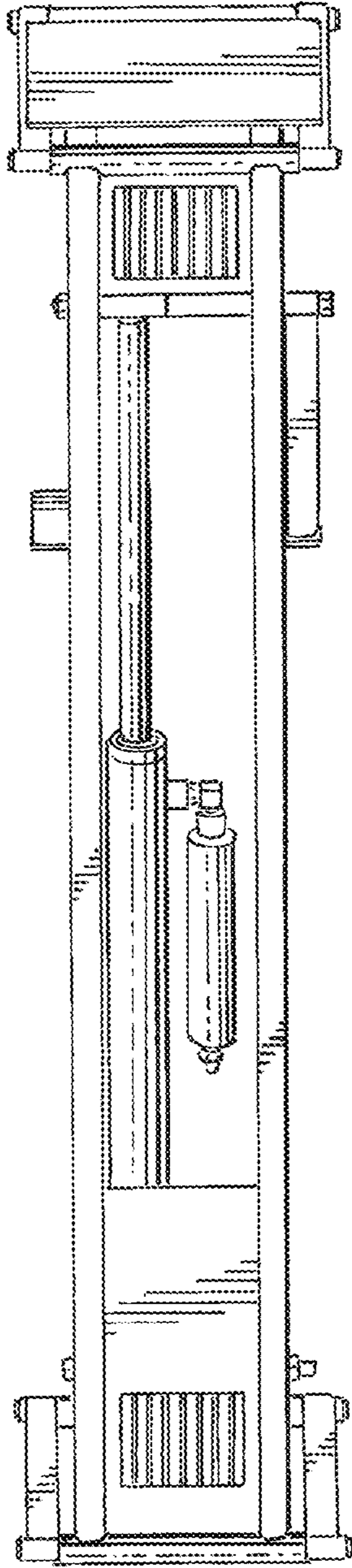


Fig. 6.

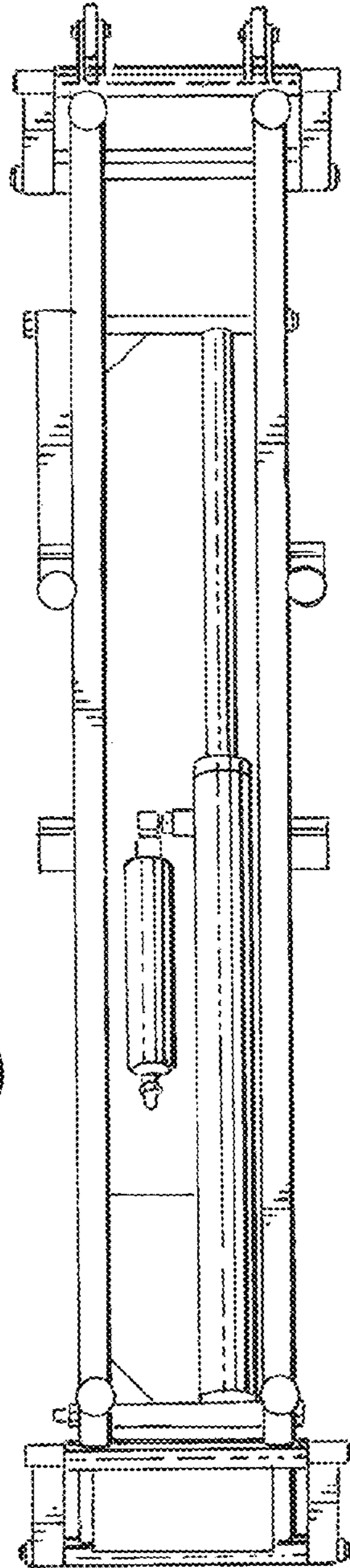


Fig. 7.