



US00D716509S

(12) **United States Design Patent**
Ediger et al.

(10) **Patent No.:** **US D716,509 S**
(45) **Date of Patent:** **** Oct. 28, 2014**

(54) **GARMENT STEAMER TOOL HOLDER**

(71) Applicant: **Vornado Air, LLC**, Andover, KS (US)

(72) Inventors: **Glen W. Ediger**, North Newton, KS (US); **Gary P. Israel**, Andover, KS (US); **Katherine T. Sparks**, Wichita, KS (US)

(73) Assignee: **Vornado Air, LLC**, Andover, KS (US)

(**) Term: **14 Years**

(21) Appl. No.: **29/438,496**

(22) Filed: **Nov. 30, 2012**

(51) **LOC (10) Cl.** **15-05**

(52) **U.S. Cl.**
USPC **D32/17**

(58) **Field of Classification Search**
USPC D32/17-21, 24, 31-33, 50; 15/320, 15/322, 327.1, 327.5-327.7, 353, 15/415.1-422, 422.1, 329, 366, 383, 384, 15/400, 340.4, 340.2, 52.2, 50.1, 50.2; 68/222, 5 R, 5 A; 392/403-406, 394, 392/386; 8/149.3; 239/136, 128; 137/241; 38/77.5-77.7, 77.9, 3, 14, 141, 77.83
See application file for complete search history.

(56) **References Cited**

U.S. PATENT DOCUMENTS

| | | | | |
|-----------|------|--------|-----------------|--------|
| 5,609,047 | A * | 3/1997 | Hellman et al. | 68/222 |
| 6,886,373 | B2 * | 5/2005 | Carrubba et al. | 68/222 |
| D535,793 | S * | 1/2007 | Forsterling | D32/25 |
| D561,958 | S * | 2/2008 | Hahn | D32/17 |
| D607,620 | S * | 1/2010 | Massip et al. | D32/17 |
| 8,091,747 | B2 * | 1/2012 | Haan | 223/90 |

| | | | | |
|--------------|------|---------|---------------|---------|
| 8,205,363 | B2 * | 6/2012 | Lin et al. | 38/77.6 |
| 8,275,248 | B2 * | 9/2012 | Xu et al. | 392/394 |
| 2004/0144140 | A1 * | 7/2004 | Lee | 68/222 |
| 2005/0150261 | A1 * | 7/2005 | Carlucci | 68/222 |
| 2006/0191299 | A1 * | 8/2006 | Tobias et al. | 68/5 R |
| 2009/0255302 | A1 * | 10/2009 | Haan | 68/222 |
| 2011/0107546 | A1 * | 5/2011 | Spatz et al. | 15/320 |

* cited by examiner

Primary Examiner — Ruth McInroy

(74) *Attorney, Agent, or Firm* — Milligan PC LLO; David H. Milligan

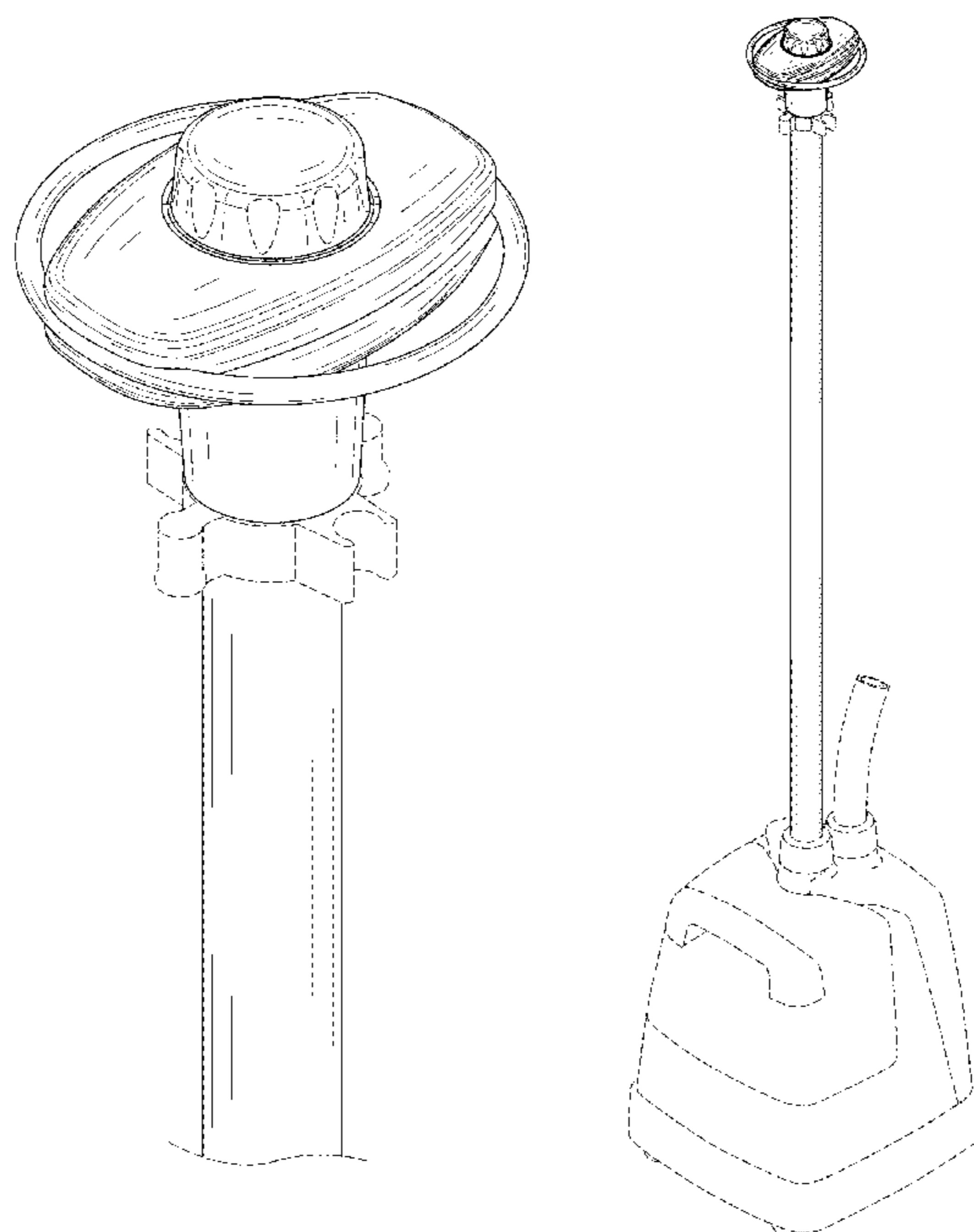
(57) **CLAIM**

The ornamental design for a garment steamer tool holder, as shown and described.

DESCRIPTION

FIG. 1 is a top, rear and right side perspective view of a garment steamer tool holder showing our new design; FIG. 2 is a bottom, front and right side perspective view thereof; FIG. 3 is a top plan view thereof; FIG. 4 is a bottom plan view thereof; FIG. 5 is a left side elevation view thereof; FIG. 6 is a right side elevation view thereof; FIG. 7 is a front elevation view thereof; FIG. 8 is a rear elevation view thereof; FIG. 9 is a top, rear and right side perspective view showing the design fully assembled; and, FIG. 10 is a left side view showing the design fully assembled. The details shown in broken lines form no part of the claimed design.

1 Claim, 9 Drawing Sheets



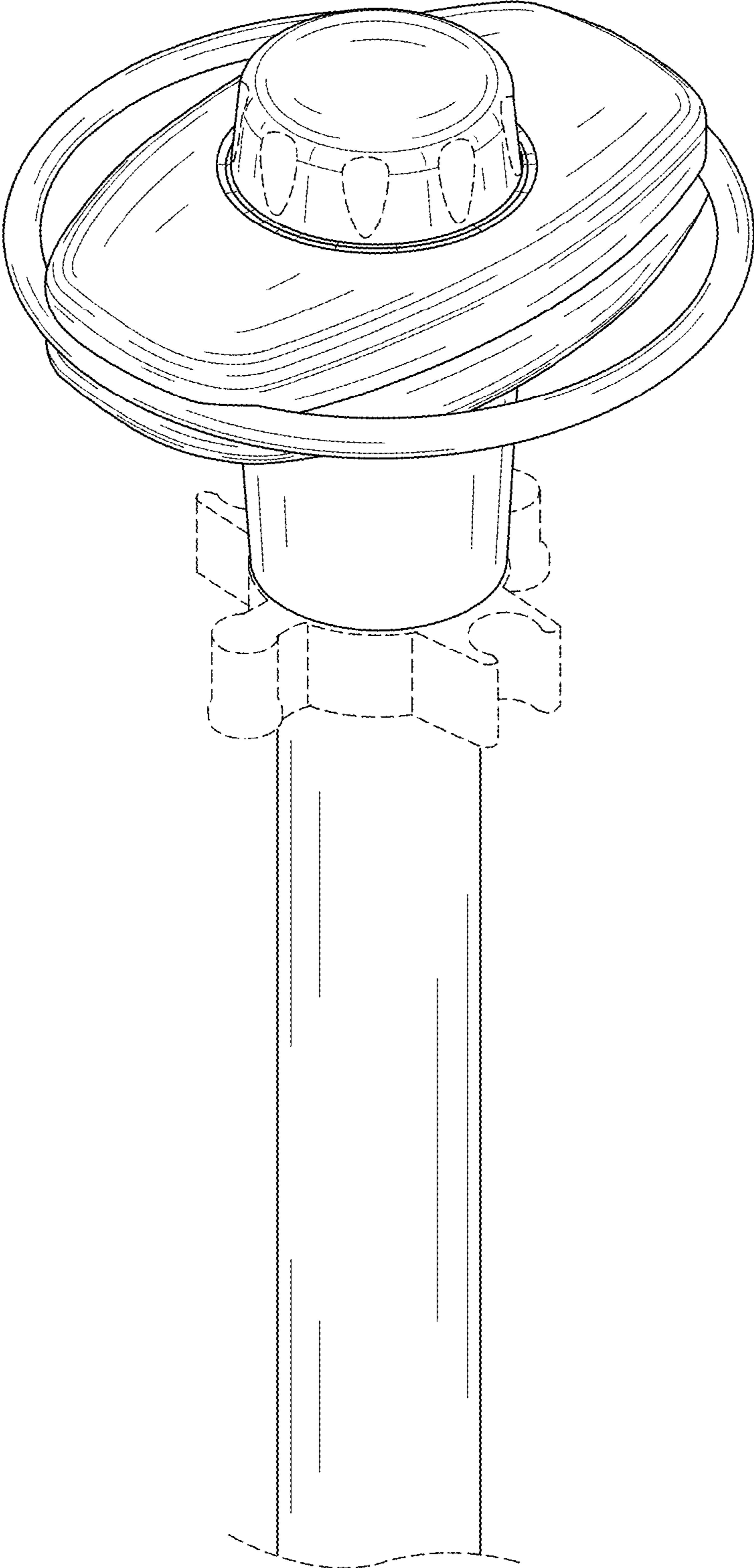


FIG. 1

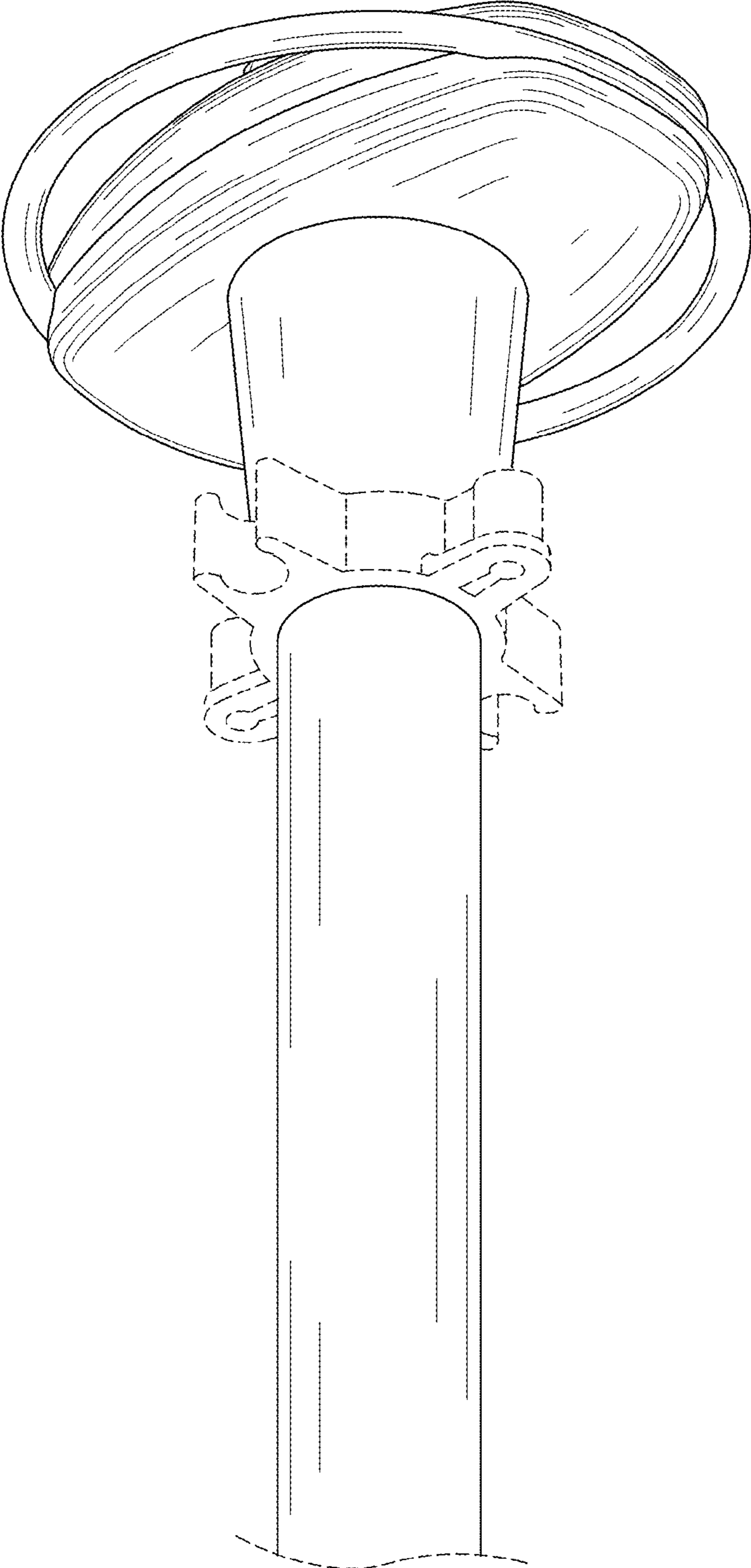


FIG. 2

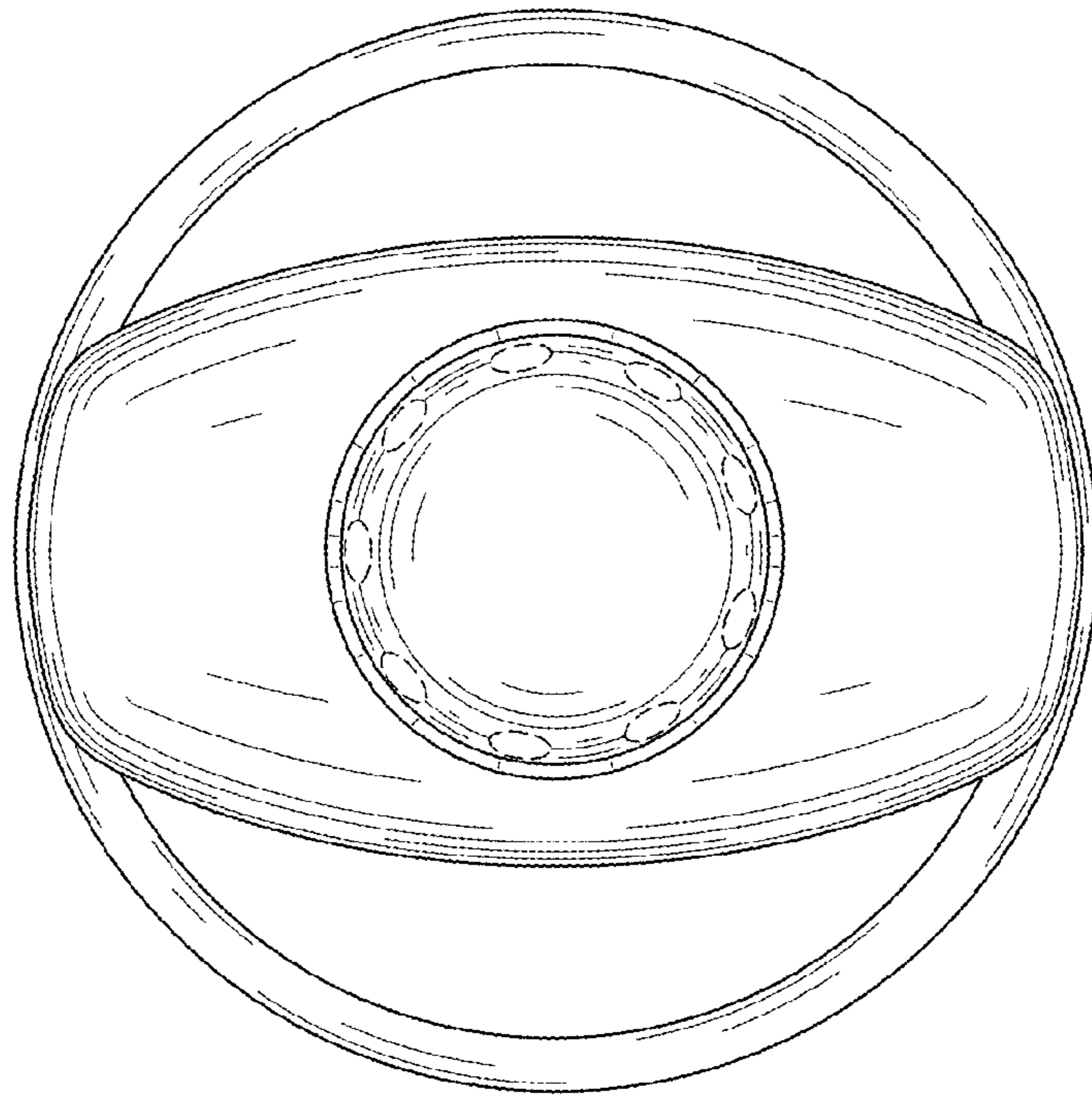


FIG. 3

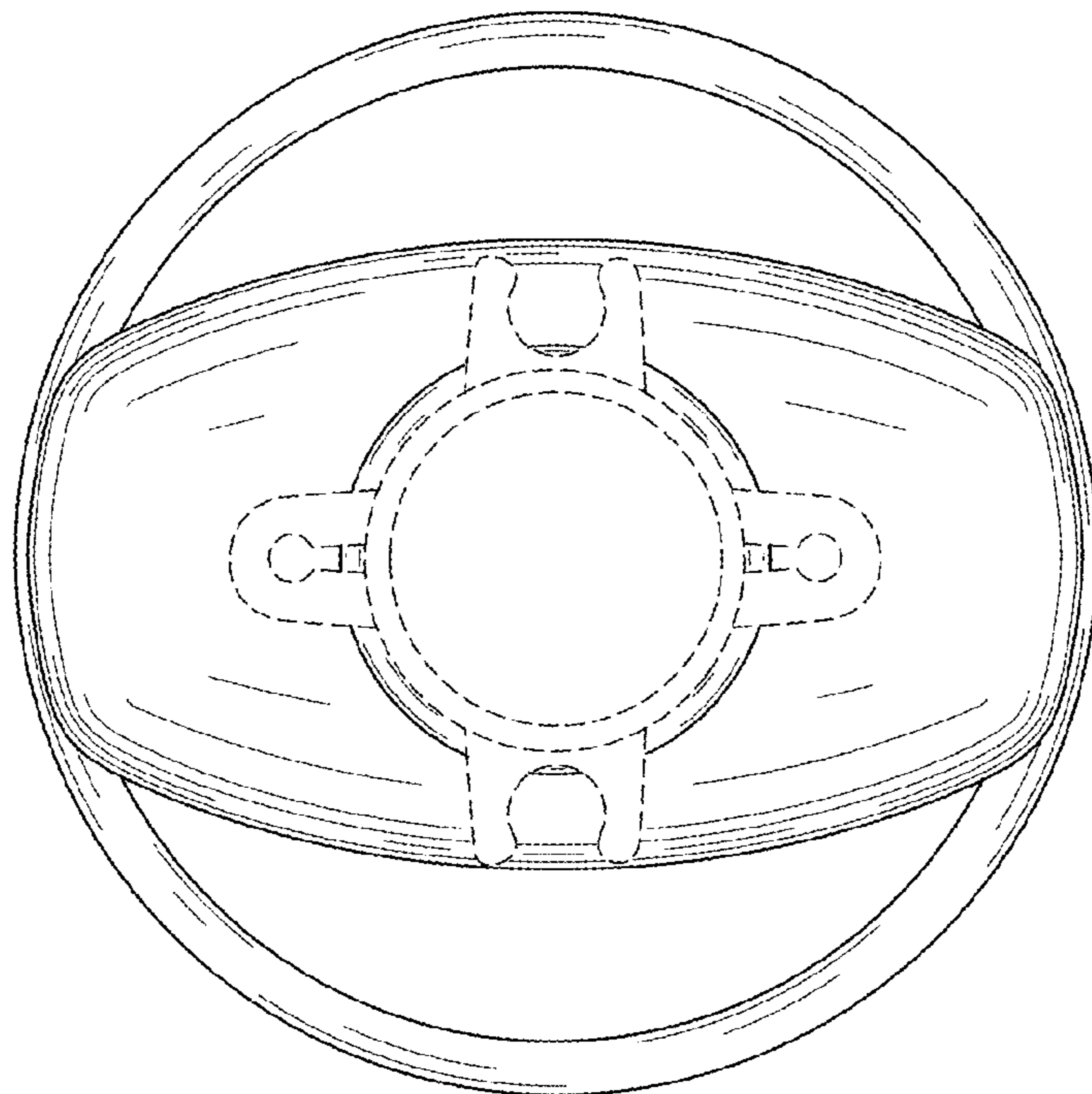


FIG. 4

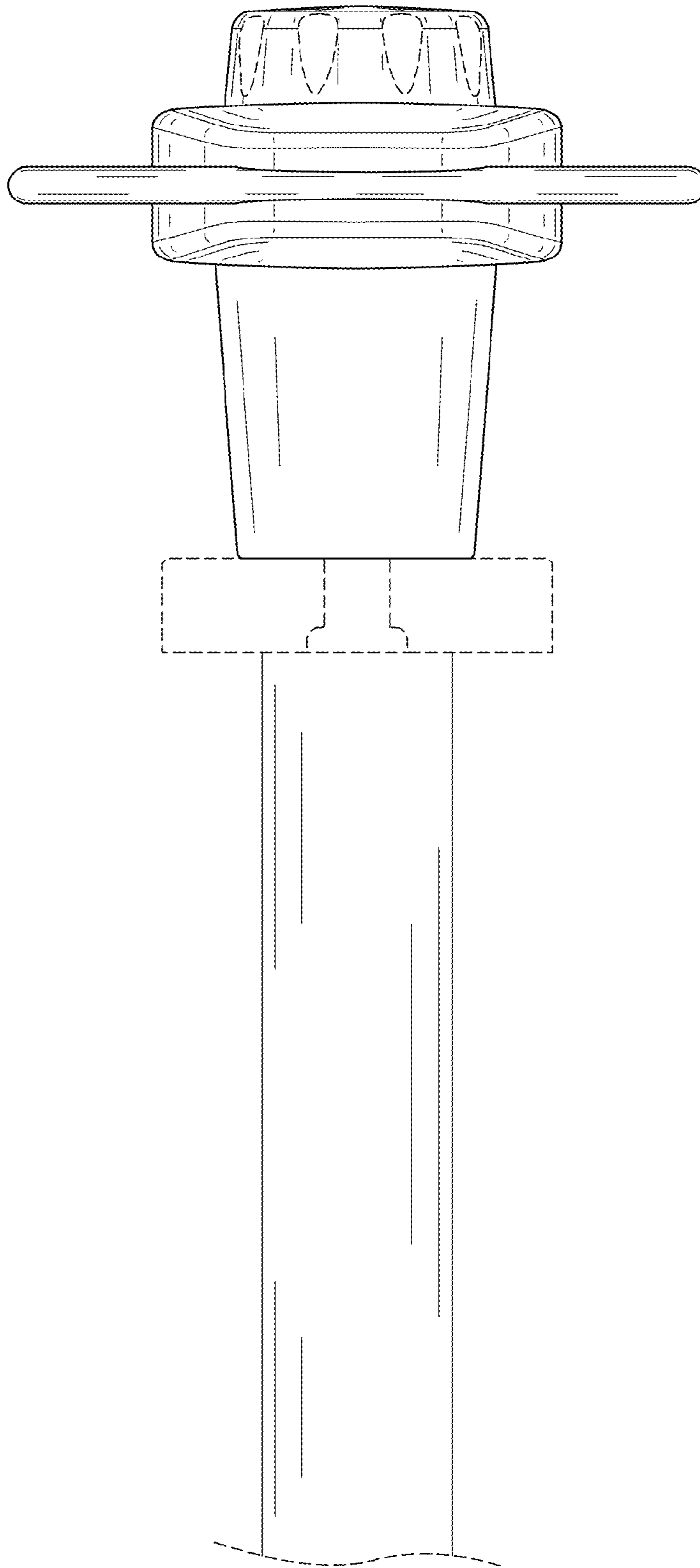


FIG. 5

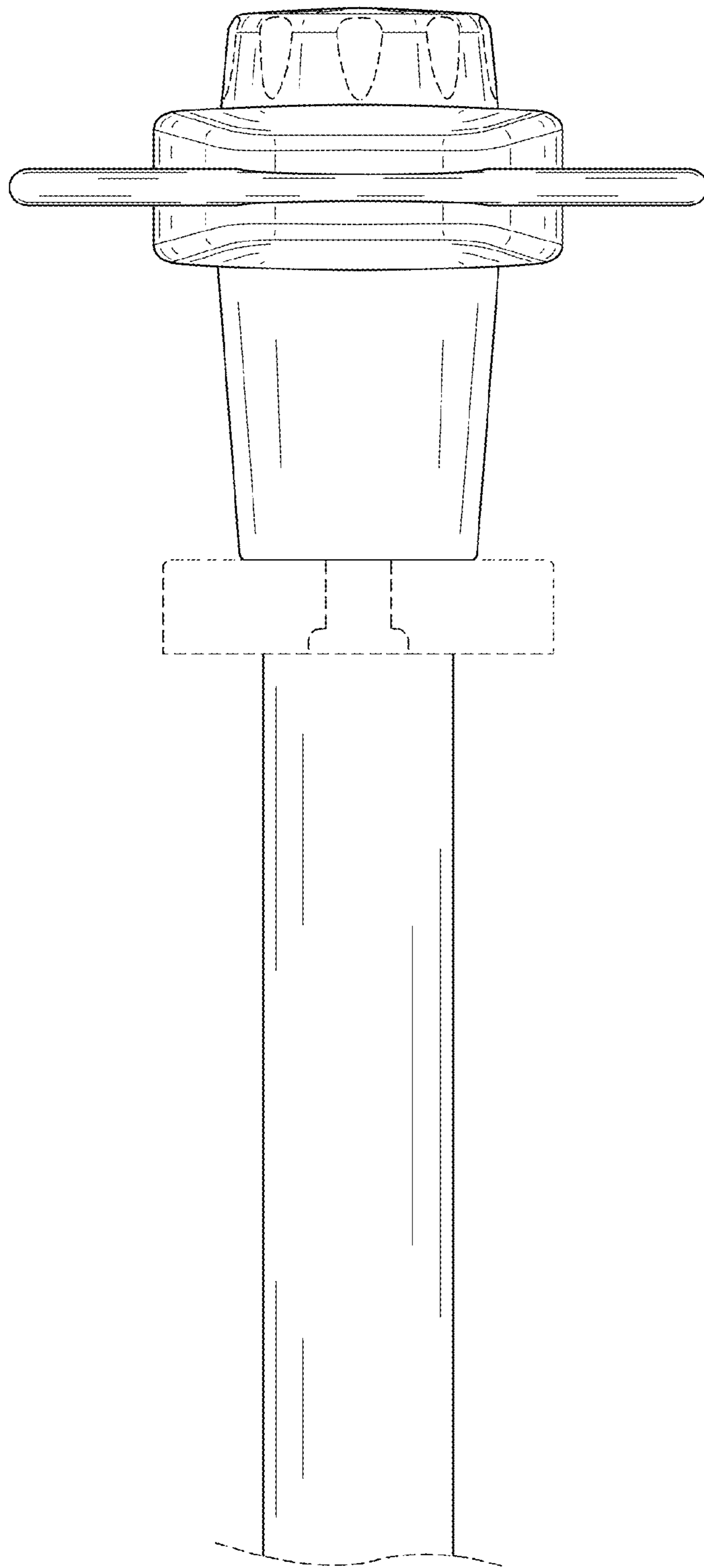


FIG. 6

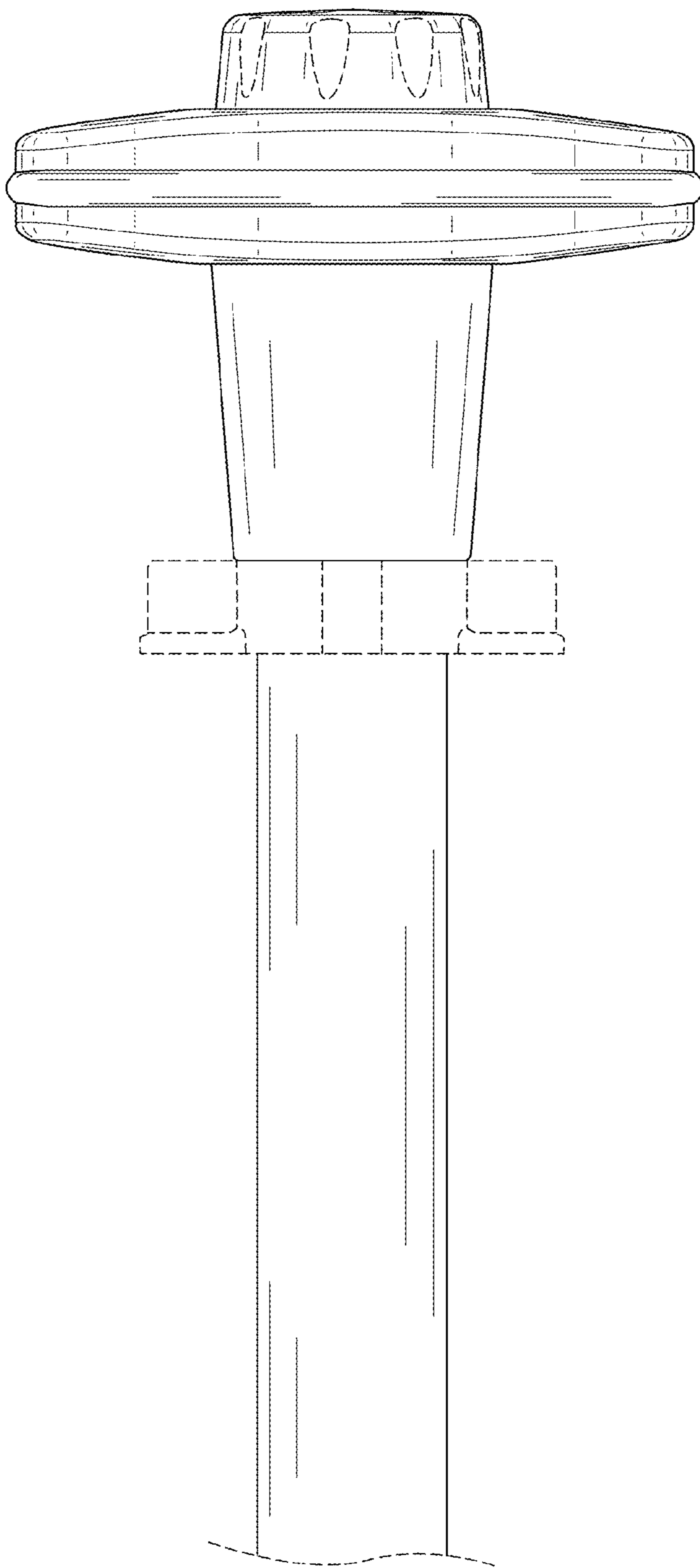


FIG. 7

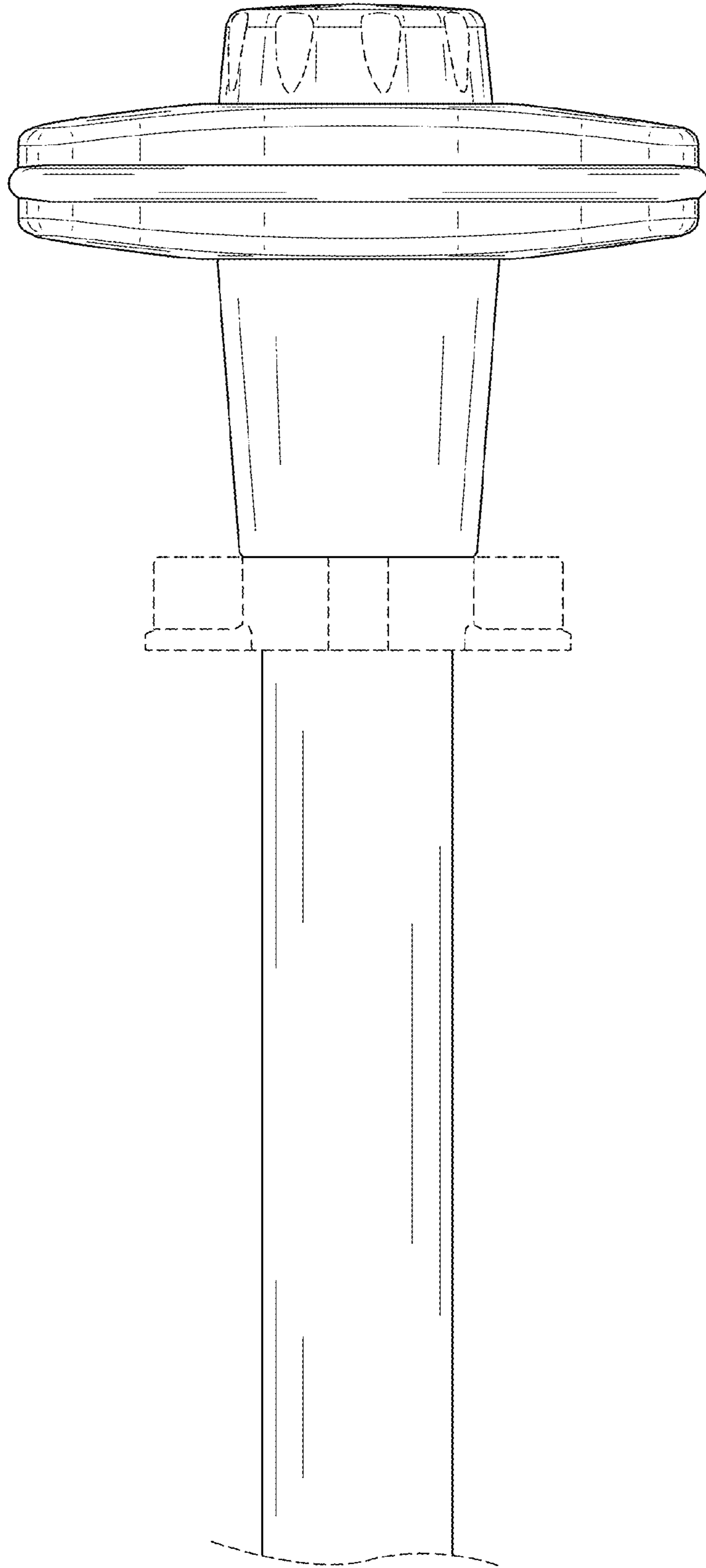


FIG. 8

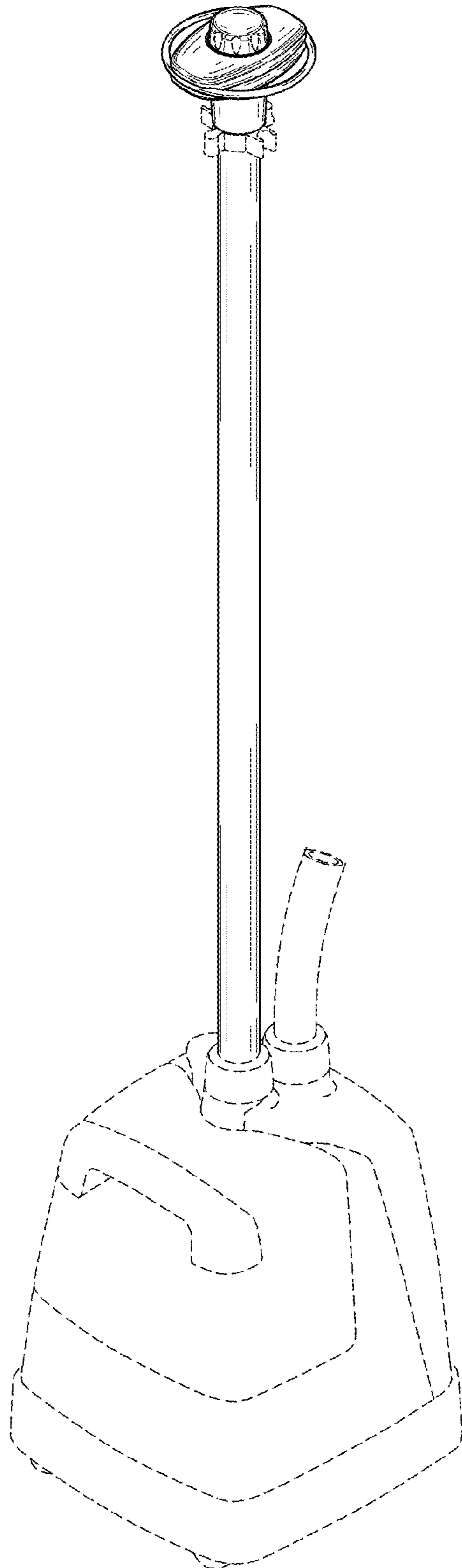


FIG. 9

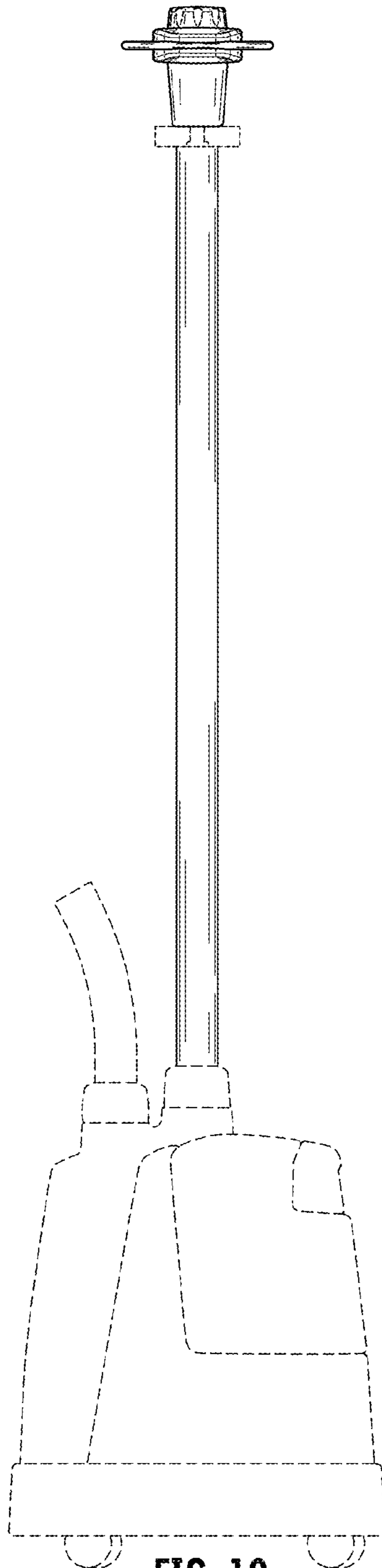


FIG. 10