



US00D716508S

(12) **United States Design Patent**
Lee et al.

(10) **Patent No.:** **US D716,508 S**
(45) **Date of Patent:** **** Oct. 28, 2014**

- (54) **CAT TOY**
- (71) Applicant: **Worldwise, Inc.**, San Rafael, CA (US)
- (72) Inventors: **Betty Lee**, San Francisco, CA (US);
Sara Paculdo, Novato, CA (US)
- (73) Assignee: **Worldwise Inc.**, San Rafael, CA (US)
- (**) Term: **14 Years**
- (21) Appl. No.: **29/468,109**
- (22) Filed: **Sep. 26, 2013**
- (51) **LOC (10) Cl.** **30-99**
- (52) **U.S. Cl.**
USPC **D30/160**
- (58) **Field of Classification Search**
USPC D30/160; 119/702, 706-711
See application file for complete search history.

5,881,679	A *	3/1999	Hann	119/708
D411,358	S *	6/1999	Baiera et al.	D30/160
6,684,819	B1 *	2/2004	Locke	119/707
6,892,675	B1 *	5/2005	Comerford	119/708
7,373,902	B2 *	5/2008	Levan	119/702
7,823,541	B2 *	11/2010	Comerford	119/707
7,895,779	B2 *	3/2011	Schnuckle	40/417
D646,443	S *	10/2011	Cook et al.	D30/160
8,109,239	B1 *	2/2012	Smestad et al.	119/707
8,640,653	B2 *	2/2014	Cook et al.	119/708
2007/0289550	A1 *	12/2007	Huang	119/707

* cited by examiner

Primary Examiner — Cathy A MacCormac
(74) *Attorney, Agent, or Firm* — Bay Area Technology Law Group PC

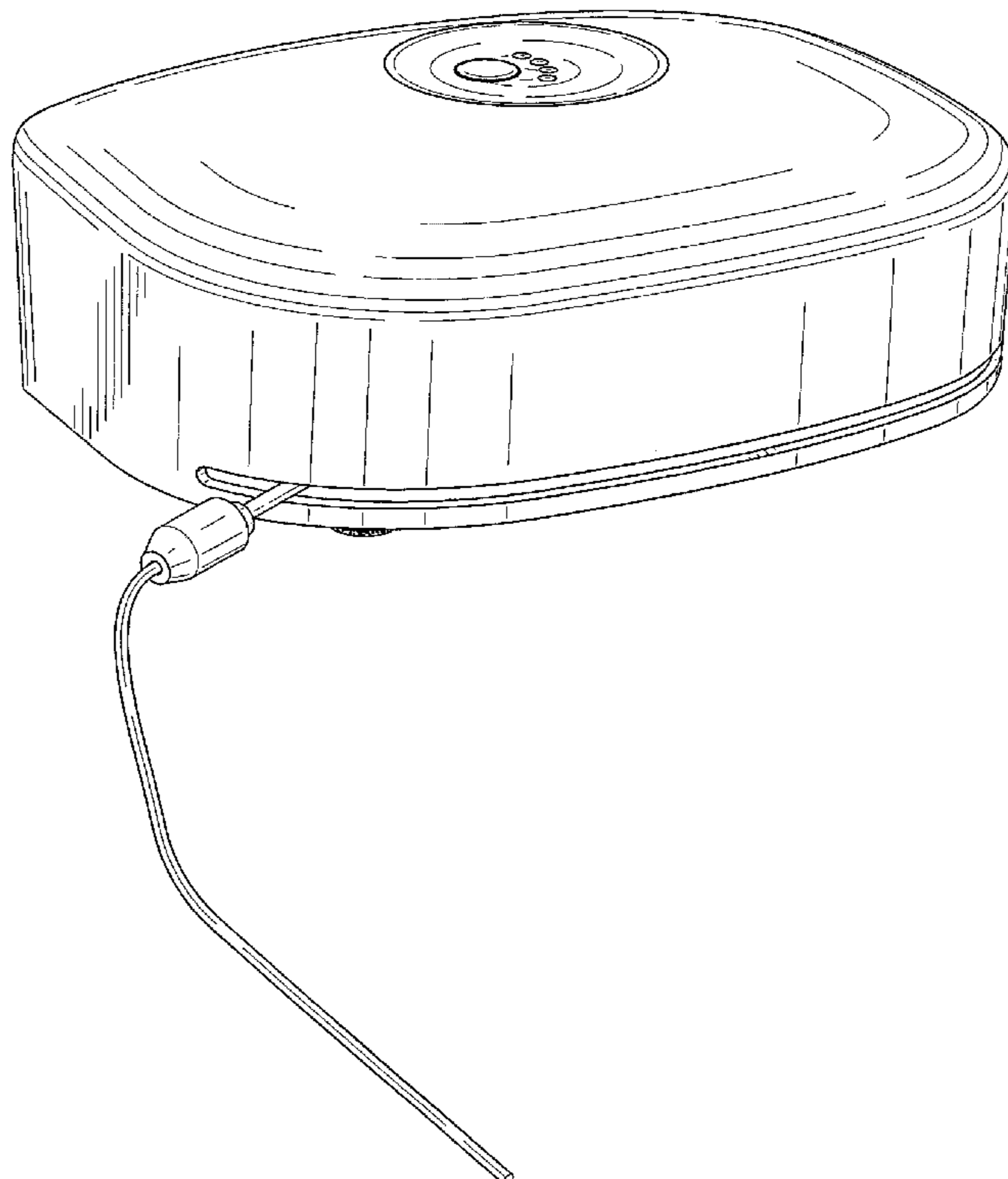
(57) **CLAIM**
The ornamental design for a cat toy, as shown and described.

DESCRIPTION

FIG. 1 is a perspective view of a cat toy showing our new design;
FIG. 2 is a front view of FIG. 1;
FIG. 3 is a back view of FIG. 1;
FIG. 4 is a left side view of FIG. 1;
FIG. 5 is a right side view of FIG. 1;
FIG. 6 is a top plan view of FIG. 1; and,
FIG. 7 is a bottom plan view of FIG. 1.

1 Claim, 4 Drawing Sheets

- (56) **References Cited**
U.S. PATENT DOCUMENTS
- | | | | | | |
|-----------|-----|--------|-----------------|-------|---------|
| 4,803,953 | A * | 2/1989 | Graves | | 119/707 |
| 4,930,448 | A * | 6/1990 | Robinson | | 119/708 |
| 5,657,721 | A * | 8/1997 | Mayfield et al. | | 119/707 |
| 5,806,465 | A * | 9/1998 | Baiera et al. | | 119/707 |



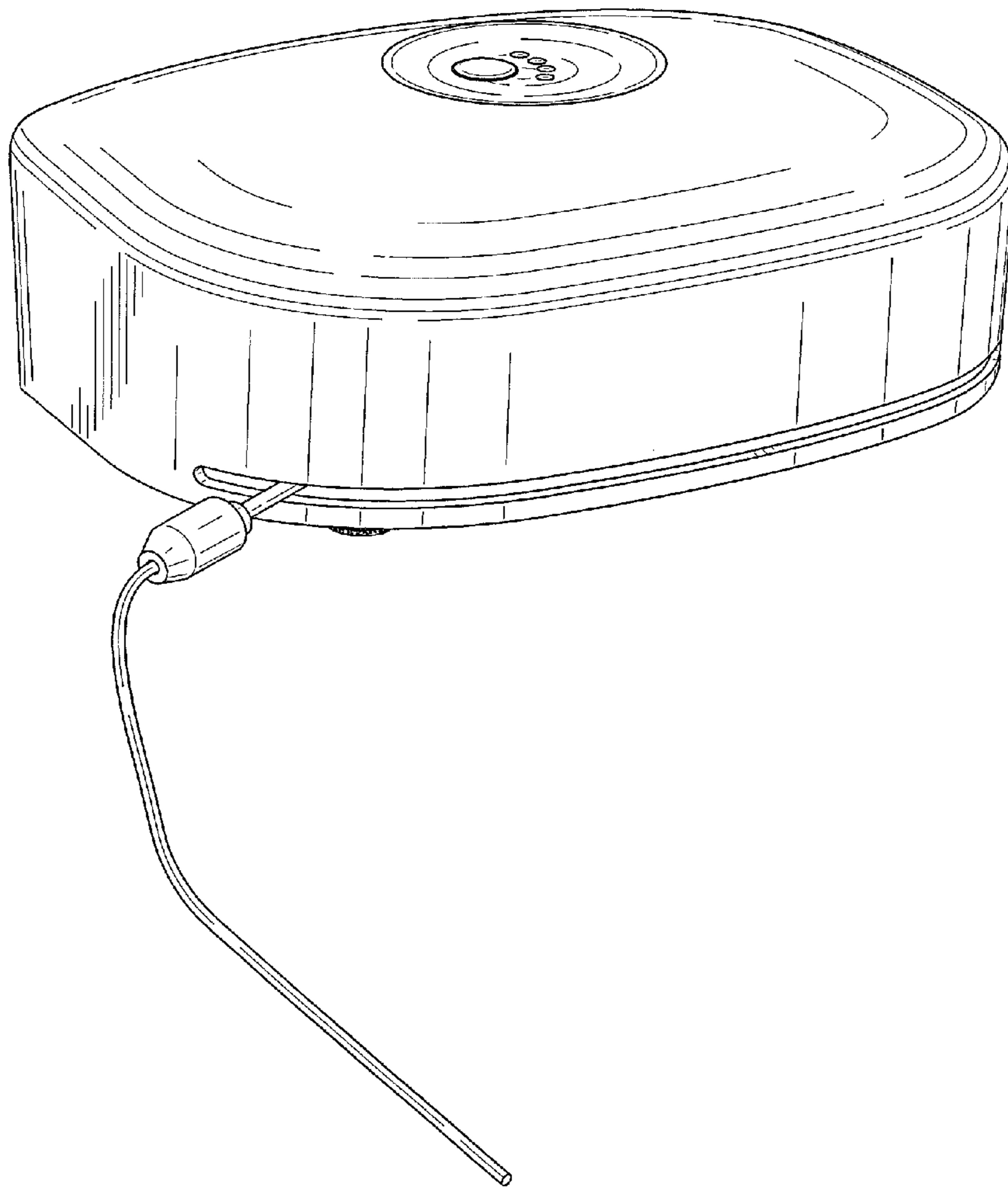


FIG. 1

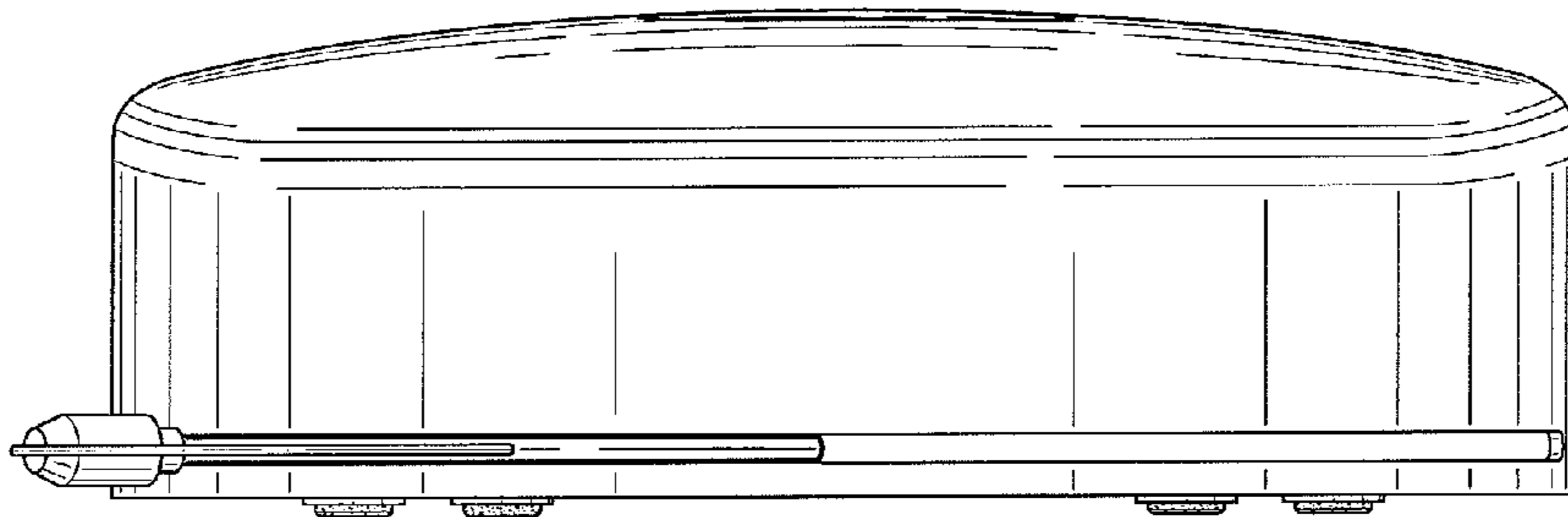


FIG. 2

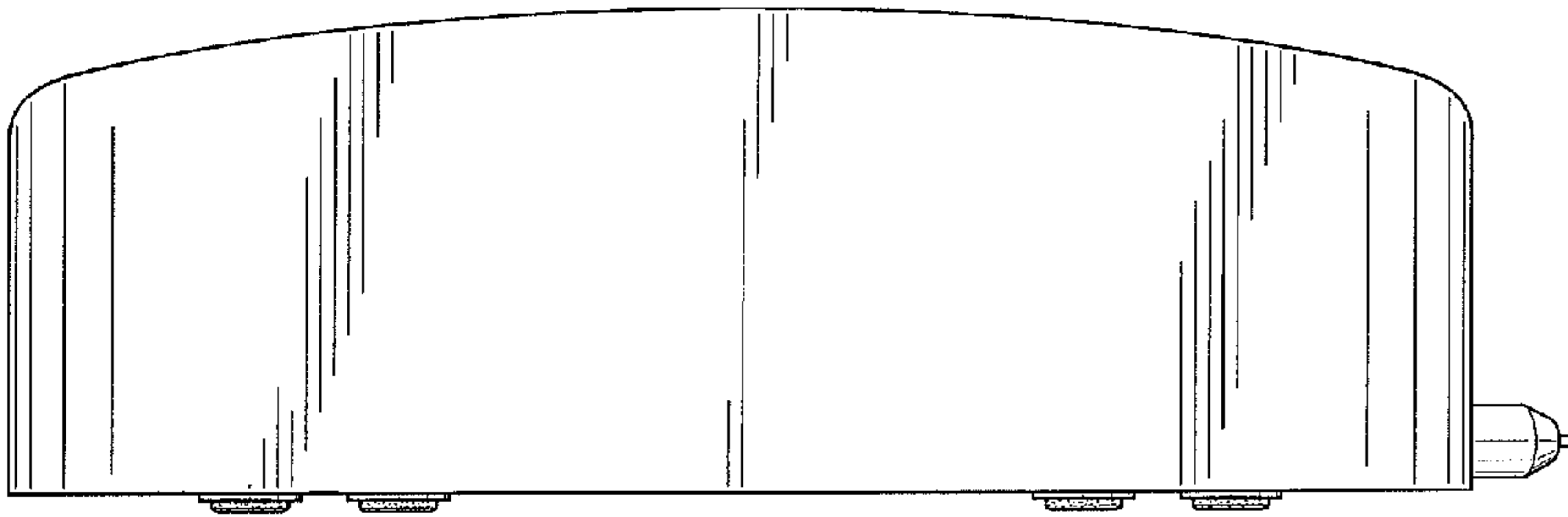


FIG. 3

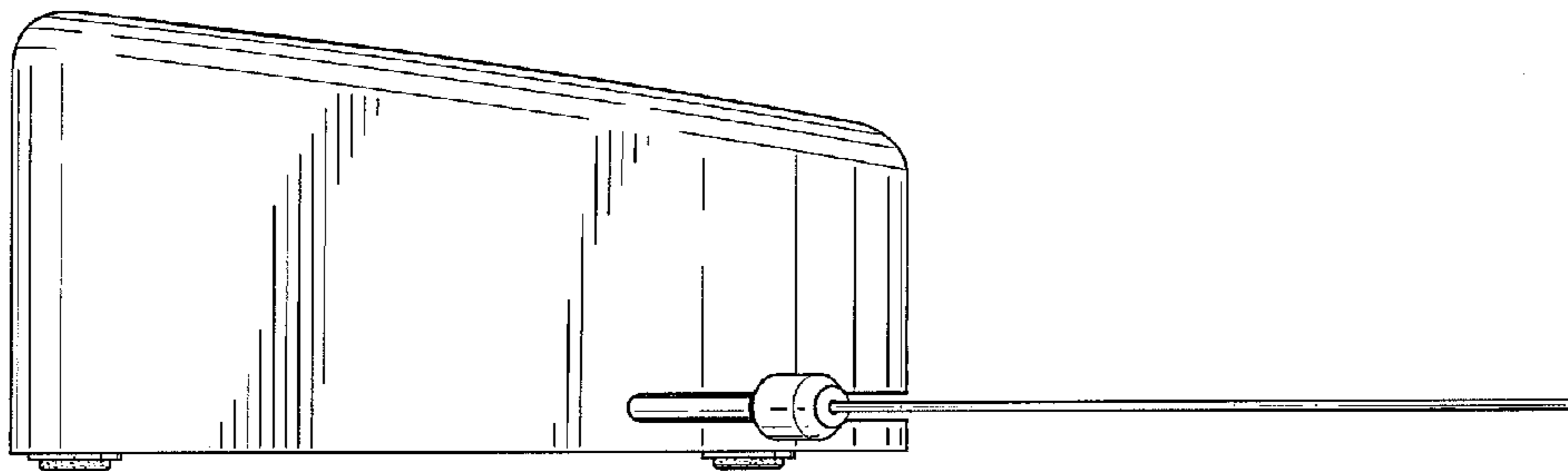


FIG. 4

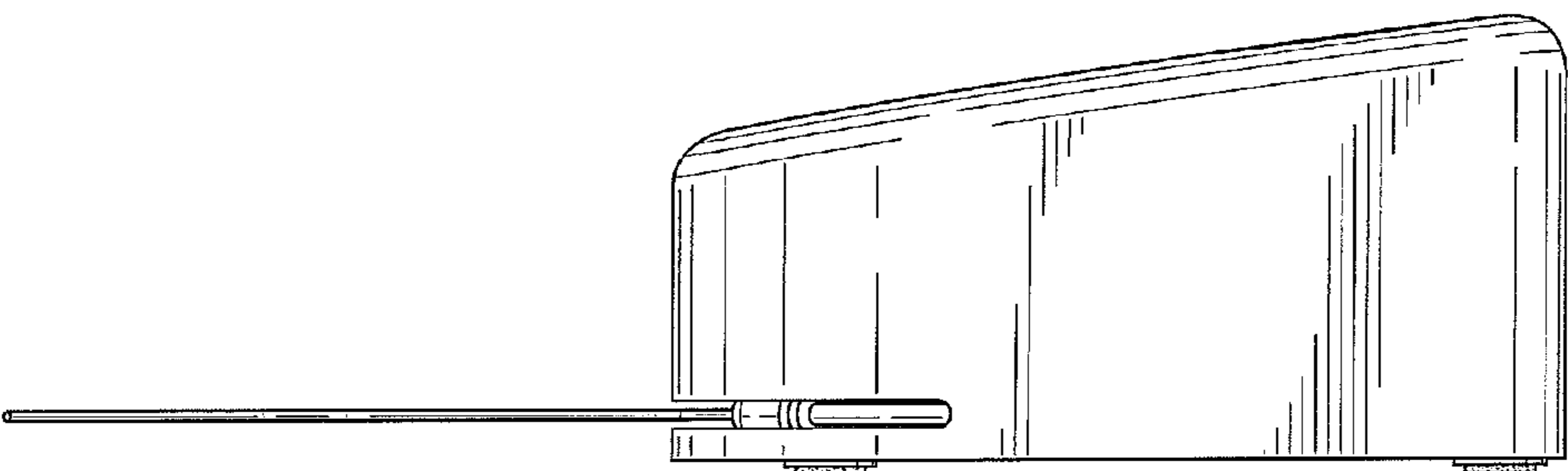


FIG. 5

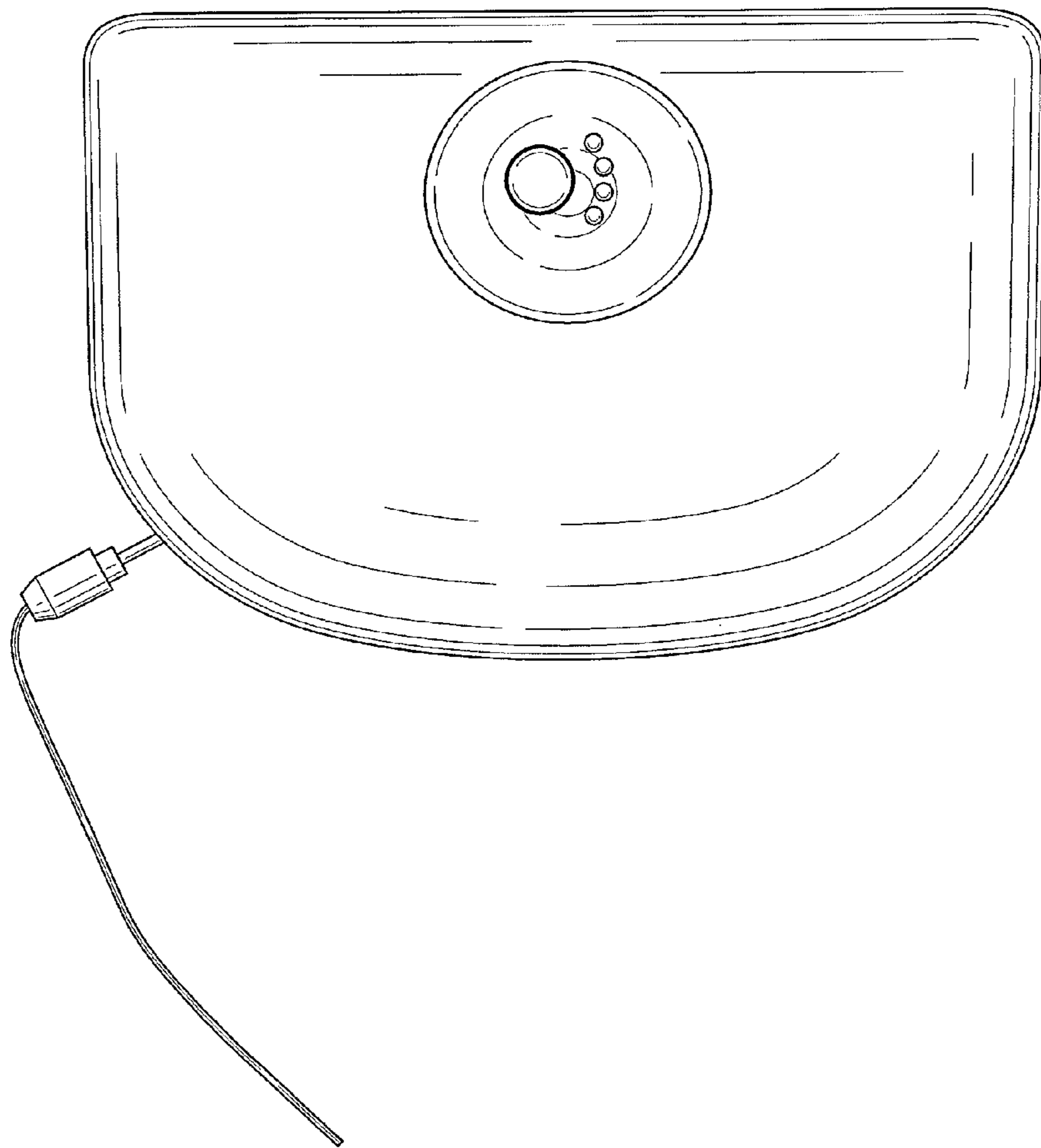


FIG. 6

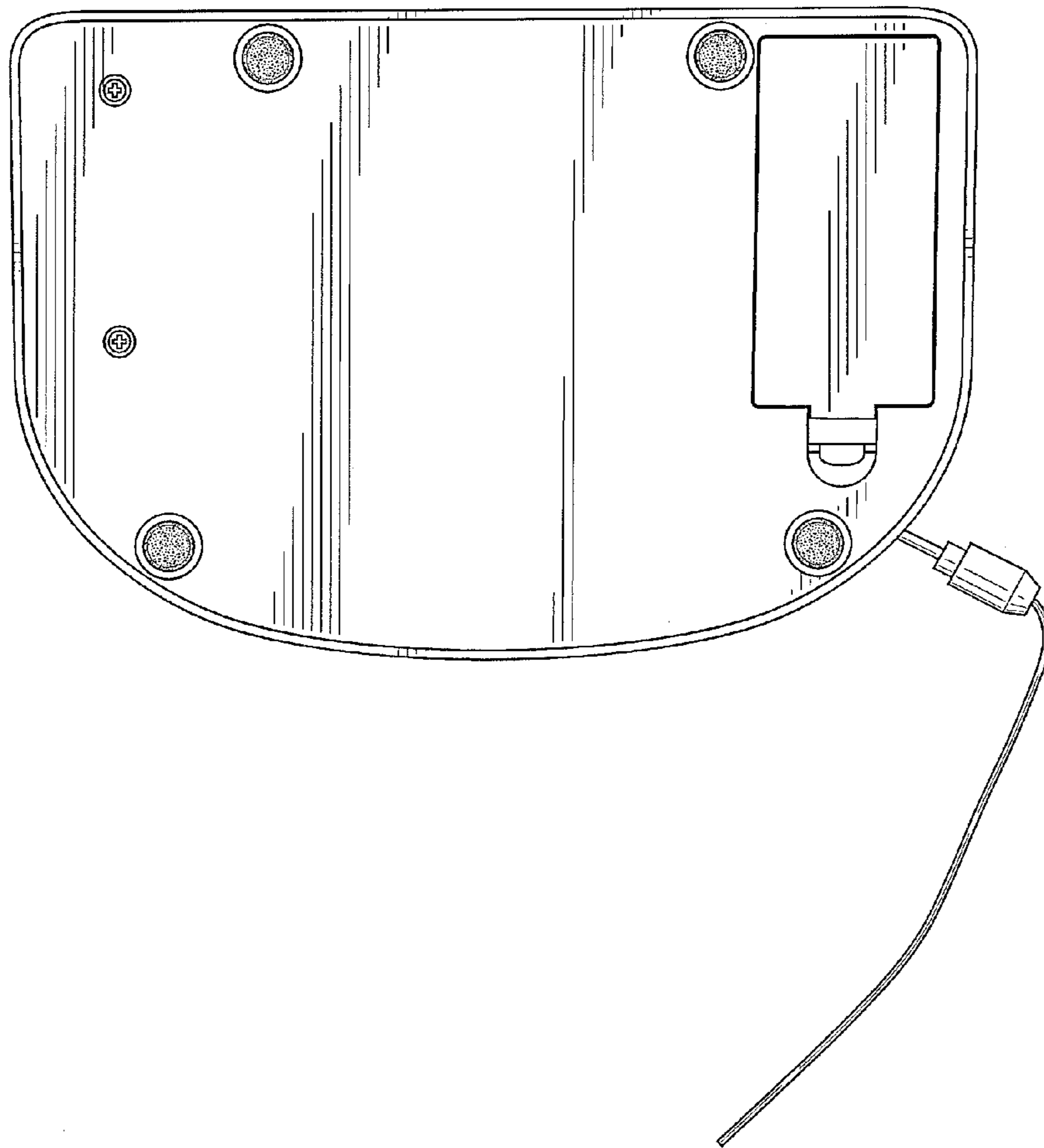


FIG. 7