



US00D716507S

(12) **United States Design Patent**
Mayer

(10) **Patent No.:** **US D716,507 S**
(45) **Date of Patent:** **** Oct. 28, 2014**

(54) **AQUARIUM CLEANER**

(56) **References Cited**

(71) Applicant: **Eheim GmbH & Co. KG**, Deizisau (DE)
(72) Inventor: **Ferdinand Mayer**, Oberbohingen (DE)
(73) Assignee: **Eheim GmbH & Co. KG**, Deizisau (DE)
(**) Term: **14 Years**
(21) Appl. No.: **29/458,835**
(22) Filed: **Jun. 24, 2013**

U.S. PATENT DOCUMENTS

2,828,019 A * 3/1958 Lambertson 210/167.21
3,225,930 A * 12/1965 Willinger 210/241
3,630,364 A * 12/1971 Johnston 210/167.23
3,826,371 A * 7/1974 Adamson 210/167.21
D304,506 S * 11/1989 Tominaga D30/106
D640,424 S * 6/2011 Yen D30/106
8,632,677 B2 * 1/2014 Sherman et al. 210/167.23

* cited by examiner

Primary Examiner — Wan Laymon

(74) *Attorney, Agent, or Firm* — Michael J. Striker

(57) **CLAIM**

The ornamental design for an aquarium cleaner, as shown and described.

DESCRIPTION

FIG. 1 is a perspective view of an aquarium cleaner showing my new design;
FIG. 2 is a front view thereof;
FIG. 3 is a rear view thereof;
FIG. 4 is a side view thereof;
FIG. 5 is the opposite side view of FIG. 4 thereof;
FIG. 6 is a top view thereof; and,
FIG. 7 is a bottom view thereof.

The broken lines shown in the figures are included for the purpose of illustrating portions of the aquarium cleaner and form no part of the claimed design.

1 Claim, 6 Drawing Sheets

Related U.S. Application Data

(62) Division of application No. 29/412,115, filed on Jan. 31, 2012, now Pat. No. Des. 687,191.

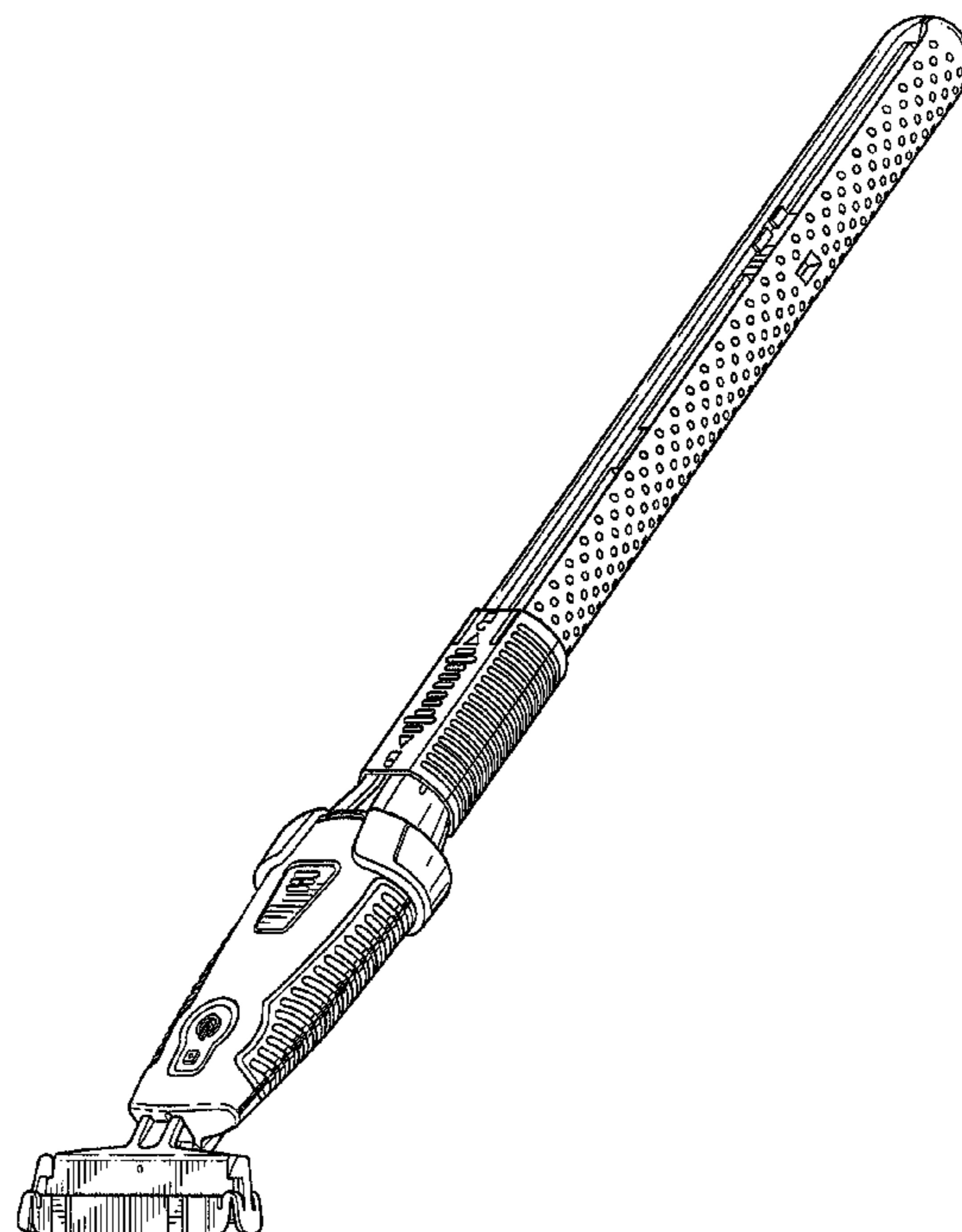
(30) **Foreign Application Priority Data**

Oct. 28, 2011 (EP) 001301279

(51) **LOC (10) Cl.** **30-02**

(52) **U.S. Cl.**
USPC **D30/106**

(58) **Field of Classification Search**
USPC D30/101-107, 158; D32/40, 17-18, 21, D32/51, 25; D4/138; D28/45; 15/401, 15/410-411; 119/264, 232; 210/167.26, 210/167.21, 167.23, 170.2, 241, 416.2
See application file for complete search history.



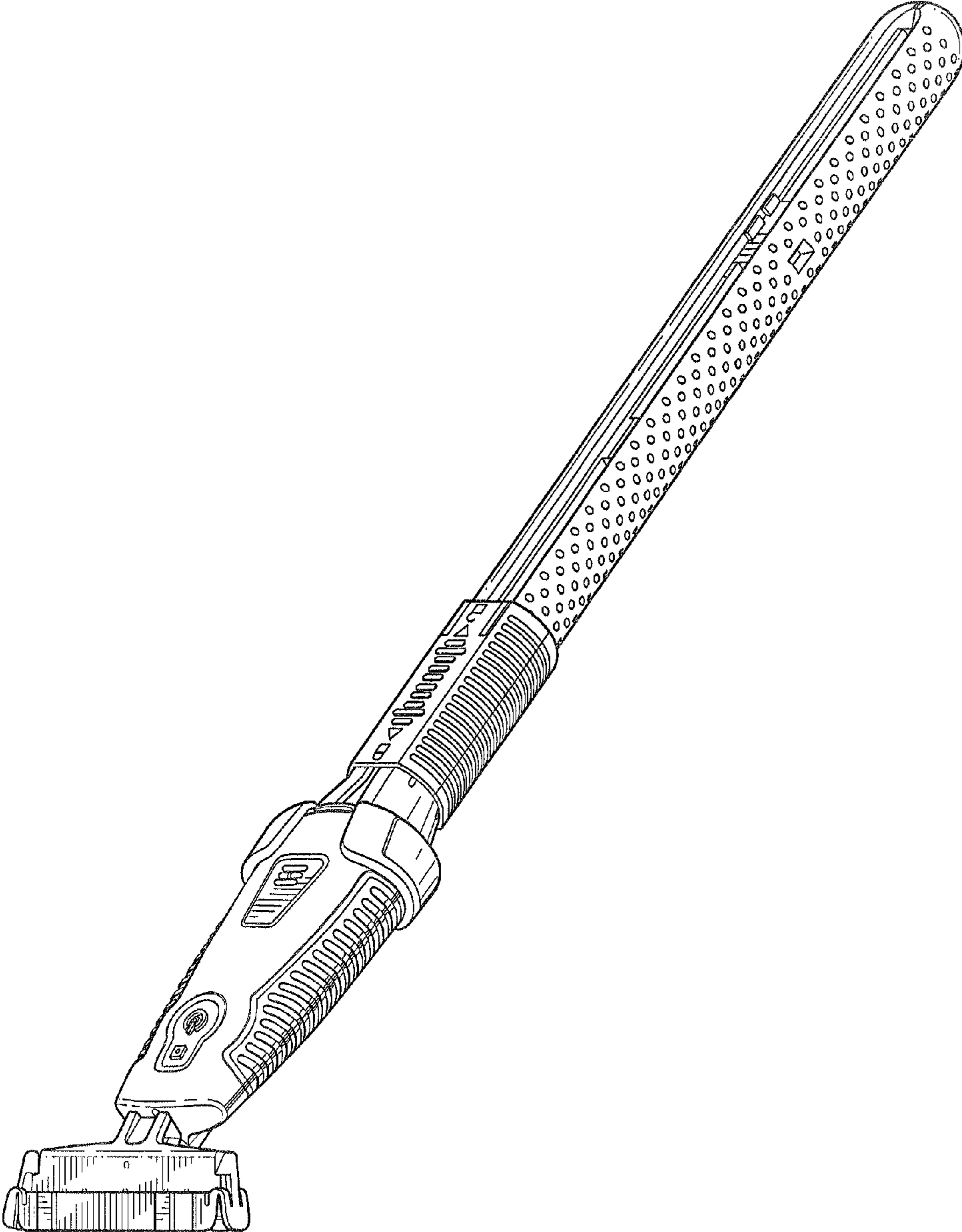


FIG. 1

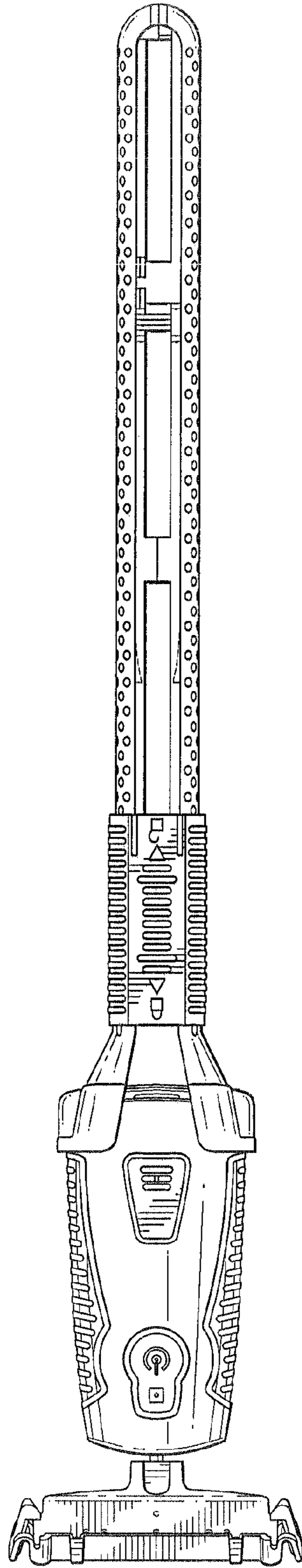


FIG. 2

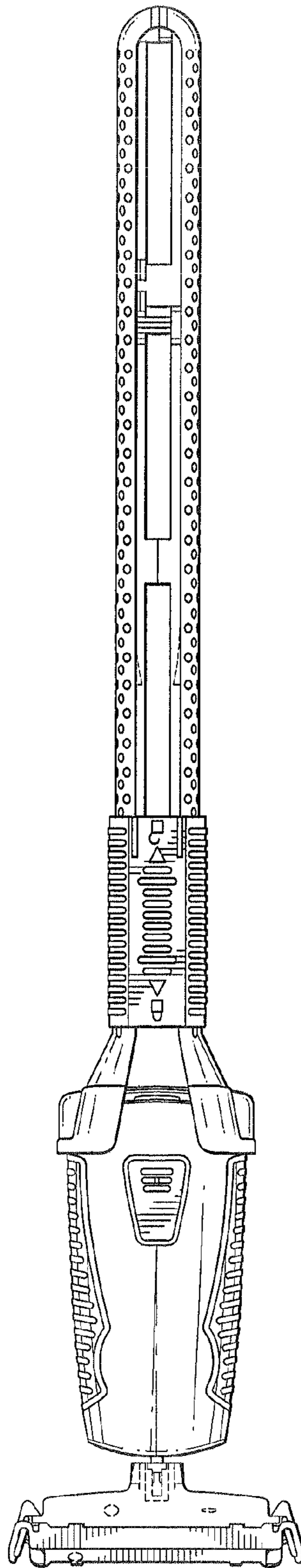


FIG. 3

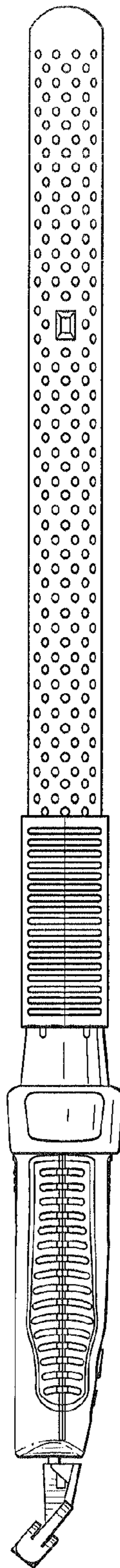


FIG.4

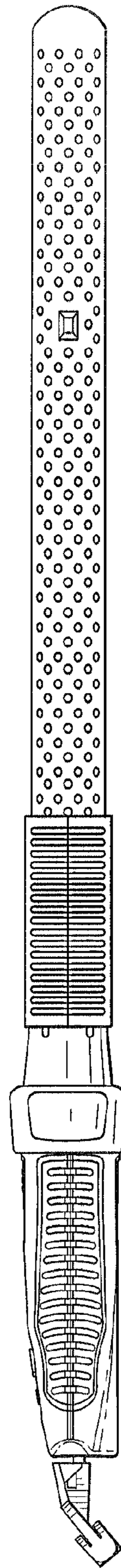


FIG.5

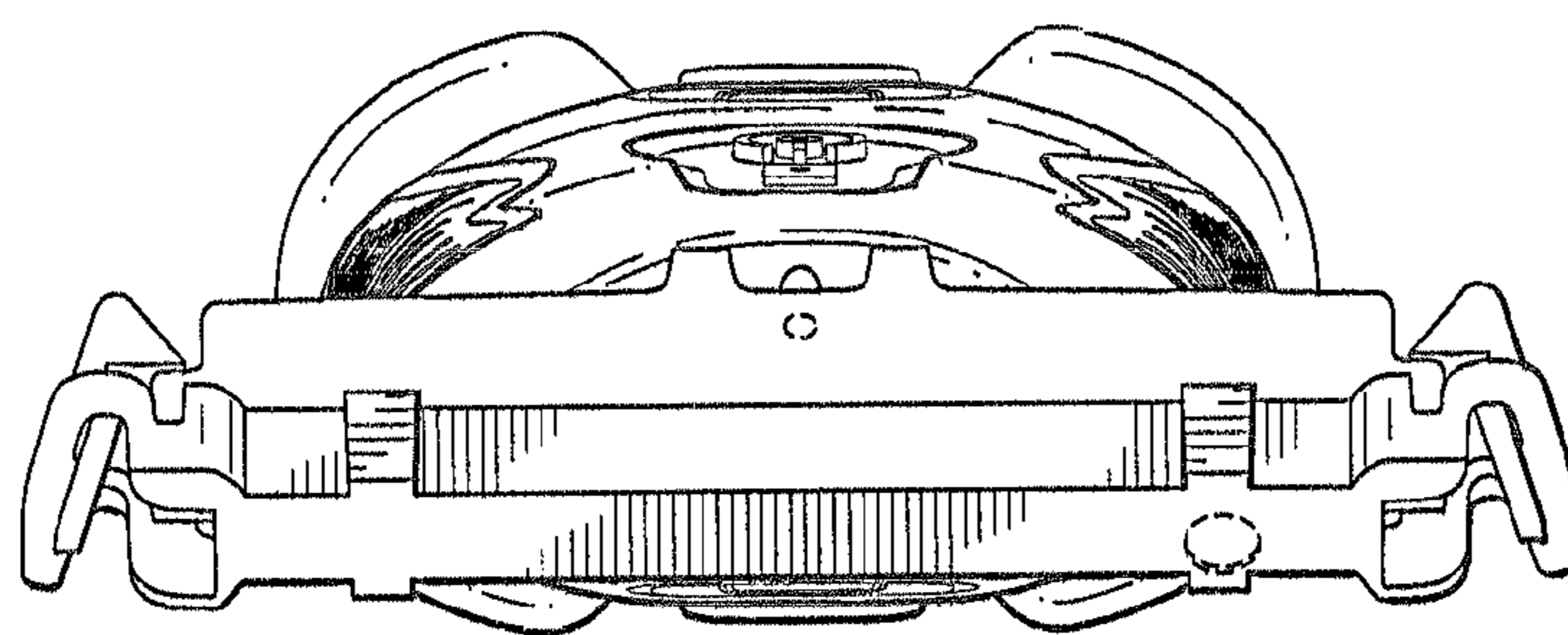


FIG. 6

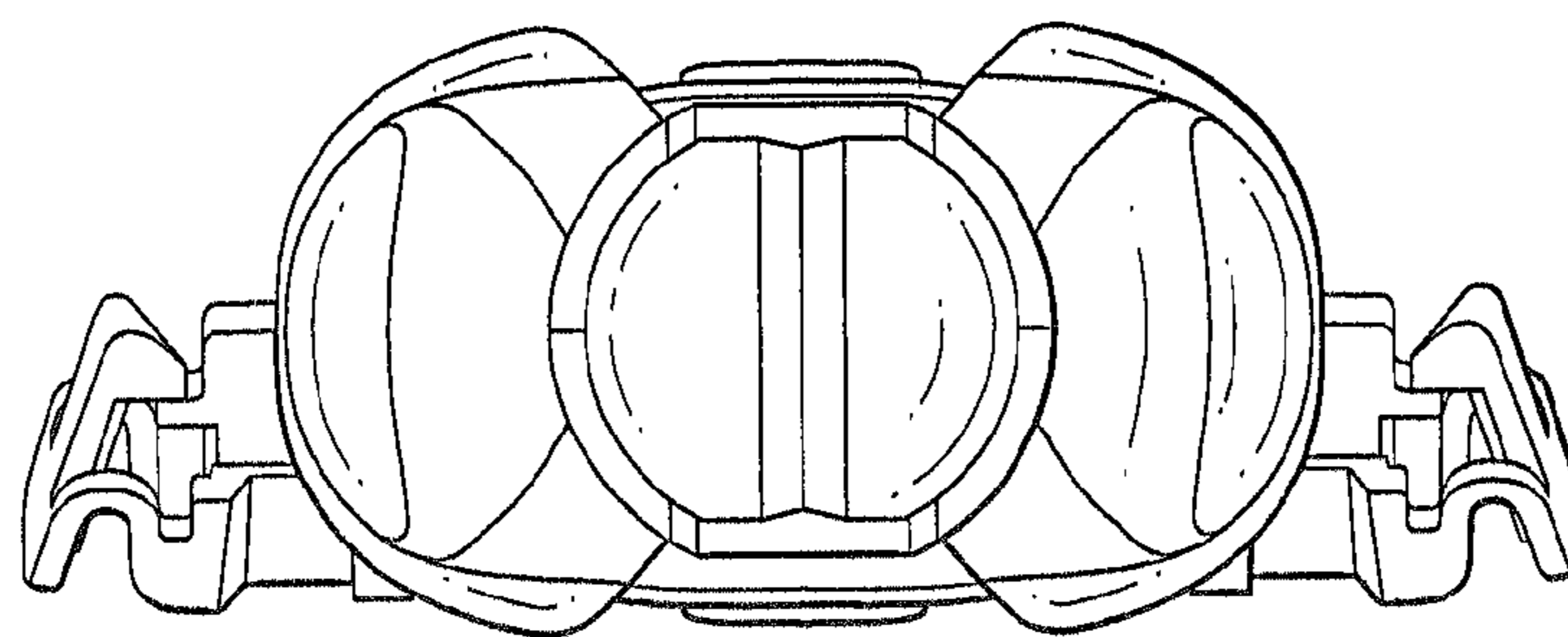


FIG. 7