



US00D716506S

(12) **United States Design Patent**
Wu

(10) **Patent No.:** **US D716,506 S**
(45) **Date of Patent:** **** Oct. 28, 2014**

(54) **AIR SUPPLY ATTACHMENT FOR A HEAD BELT OF A WELDING HELMET**

(71) Applicant: **Tecmen Electronics Co., Ltd.**, Nanjing (CN)

(72) Inventor: **Ziqian Wu**, Nanjing (CN)

(73) Assignee: **Tecmen Electronics Co., Ltd.**, Nanjing (CN)

(**) Term: **14 Years**

(21) Appl. No.: **29/476,724**

(22) Filed: **Dec. 16, 2013**

(51) **LOC (10) Cl.** **29-02**

(52) **U.S. Cl.**
USPC **D29/122; D24/110.4**

(58) **Field of Classification Search**
USPC D29/100, 102, 103, 105, 106, 108, 122;
D24/107, 108, 110, 110.1, 110.2,
D24/110.3, 110.4, 110.5, 110.6; 128/857,
128/863, 200.24, 200.26, 201.22, 201.23,
128/201.24, 201.28, 206.12, 206.21,
128/206.22, 207.17; 2/455, 456, 410, 417,
2/418, 419, 421, 422, 425, 171, 171.3,
2/183, 205, 209.13, 918
See application file for complete search history.

(56) **References Cited**

U.S. PATENT DOCUMENTS

1,859,313 A * 5/1932 Pereles 2/425
D238,120 S * 12/1975 Rhee D29/106
4,549,542 A * 10/1985 Chien 128/201.24
4,612,672 A * 9/1986 Schrack 2/68
D292,330 S * 10/1987 McColough D29/106

D296,941 S * 7/1988 Ieutholt et al. D29/108
4,756,208 A * 7/1988 Hayashi et al. 56/14.7
D326,540 S * 5/1992 Scholey D24/110.1
D357,555 S * 4/1995 Brueckner D29/106
D363,145 S * 10/1995 Newman et al. D29/106
D505,489 S * 5/2005 Sleeper D24/110.1
D527,846 S * 9/2006 Isenbarger D29/103
D665,494 S * 8/2012 Stallard et al. D24/110.1
D666,364 S * 8/2012 Votel et al. D29/108
D668,327 S * 10/2012 Sumner et al. D24/110.3
D671,688 S * 11/2012 Sullivan, II D29/108
D679,799 S * 4/2013 D'Souza et al. D24/110
D685,463 S * 7/2013 Veliss et al. D24/110.1
D693,459 S * 11/2013 Prentice et al. D24/110.4
D697,271 S * 1/2014 Sun et al. D29/108

* cited by examiner

Primary Examiner — Elizabeth J Oswecki

(74) *Attorney, Agent, or Firm* — Leydig, Voit & Mayer, Ltd.

(57) **CLAIM**

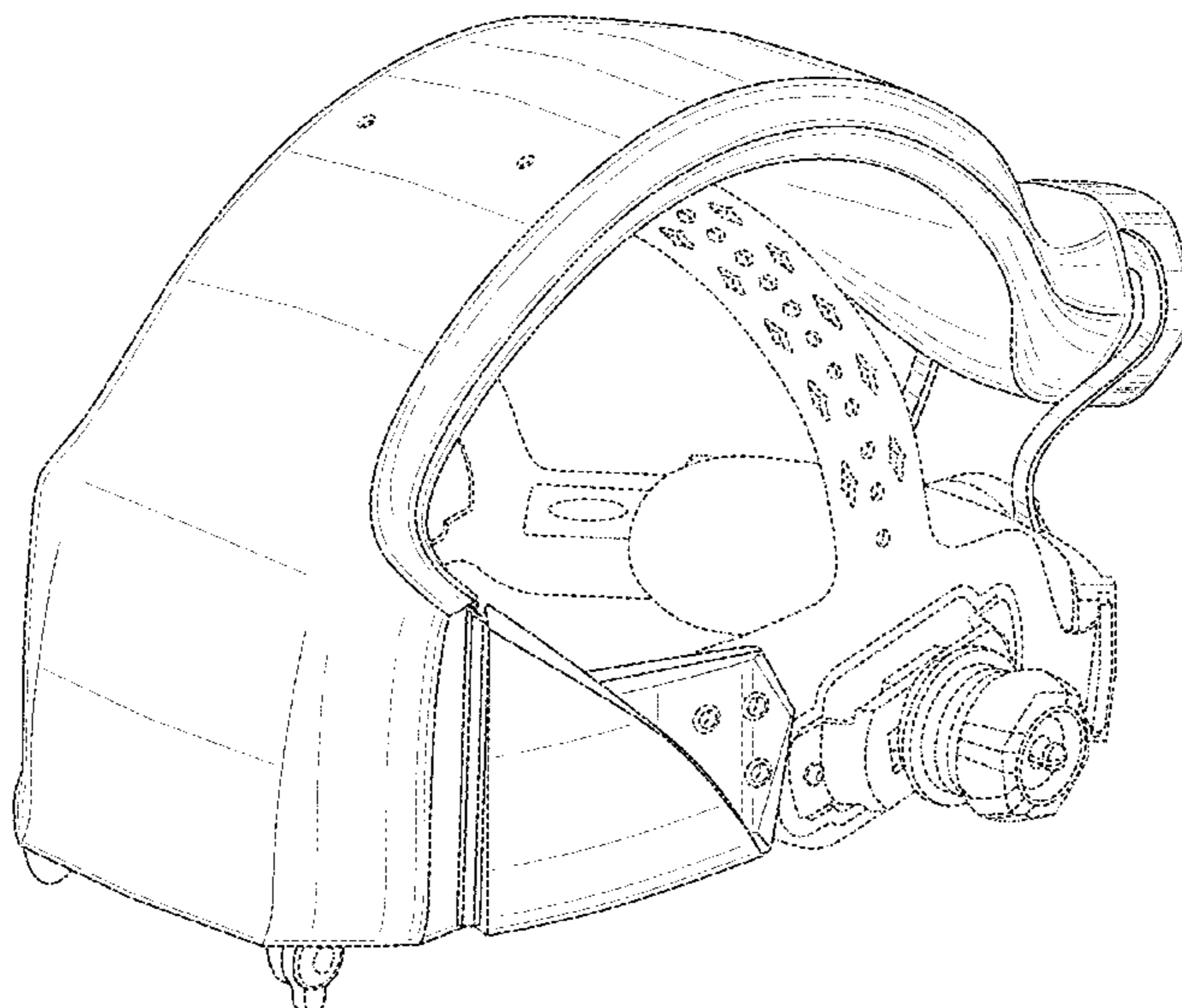
The ornamental design for an air supply attachment for a head belt of a welding helmet, as shown and described.

DESCRIPTION

FIG. 1 is a top, front, right side perspective view of an air supply attachment for a head belt of a welding helmet showing my new design;
FIG. 2 is a top plan view thereof;
FIG. 3 is a bottom plan view thereof;
FIG. 4 is a front elevational view thereof;
FIG. 5 is a rear elevational view thereof;
FIG. 6 is a left side elevational view thereof; and,
FIG. 7 is a right side elevational view thereof.

The broken lines shown in the drawings represent portions of the air supply attachment for a head belt of a welding helmet that form no part of the claimed design.

1 Claim, 7 Drawing Sheets



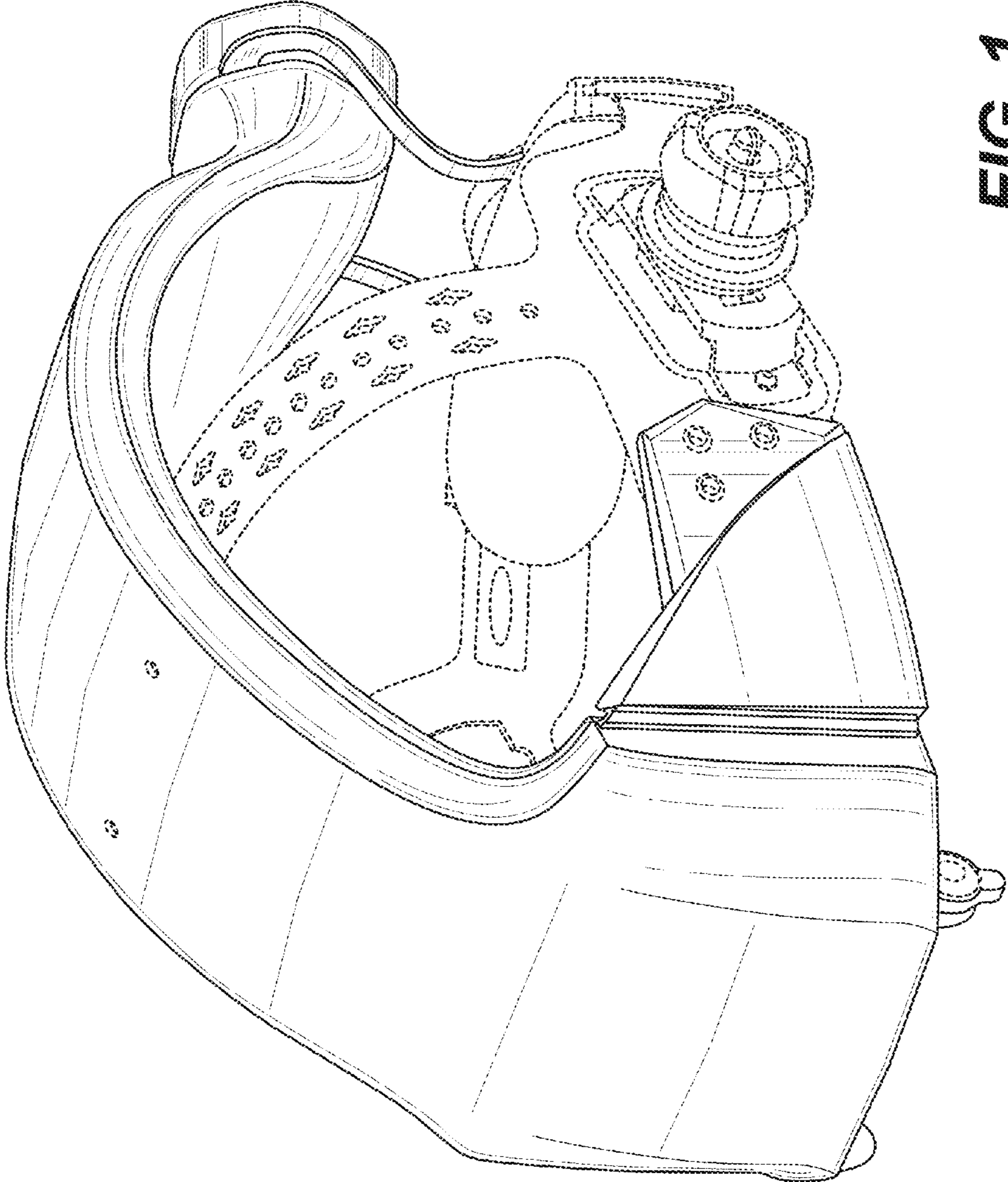


FIG. 1

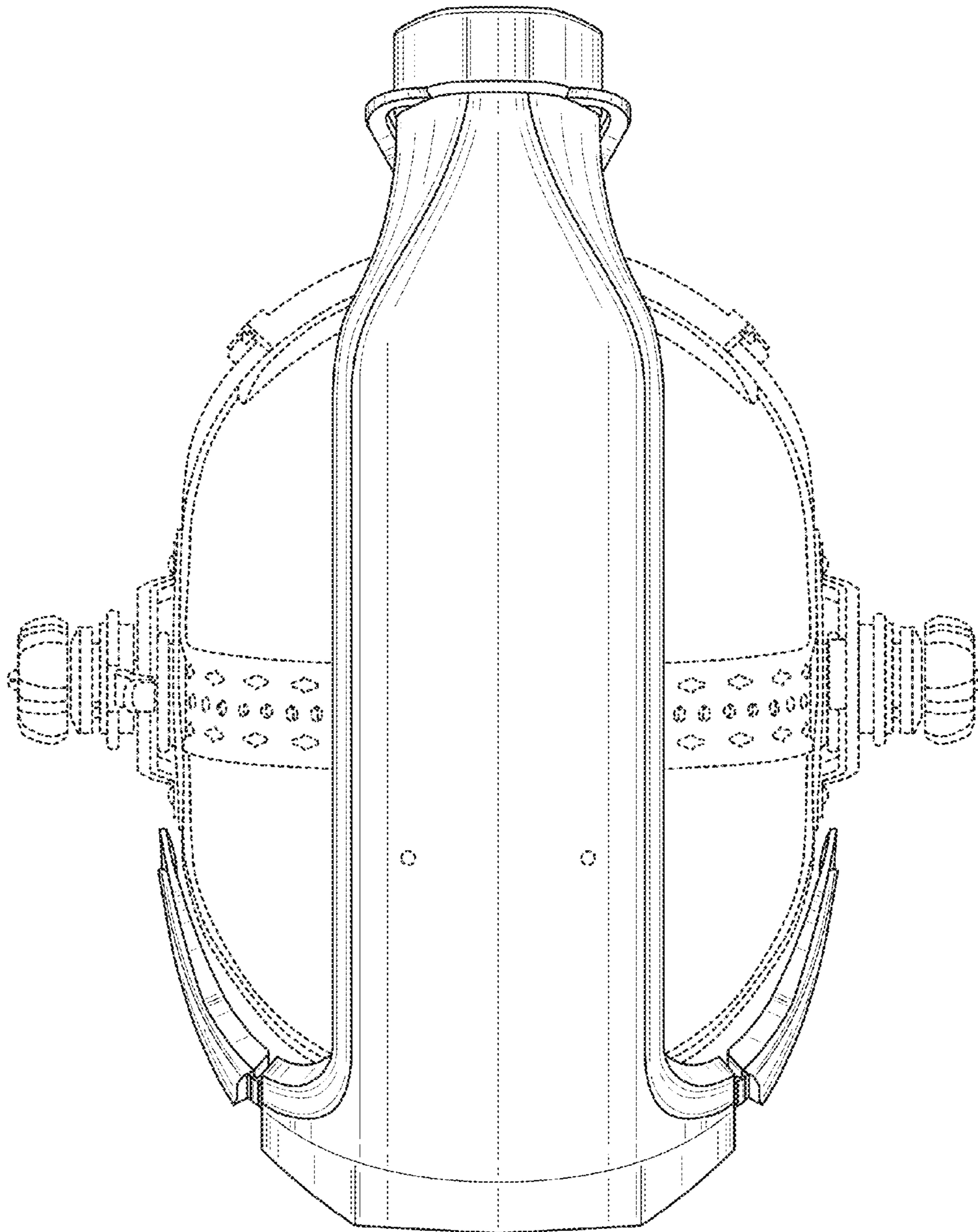


FIG. 2

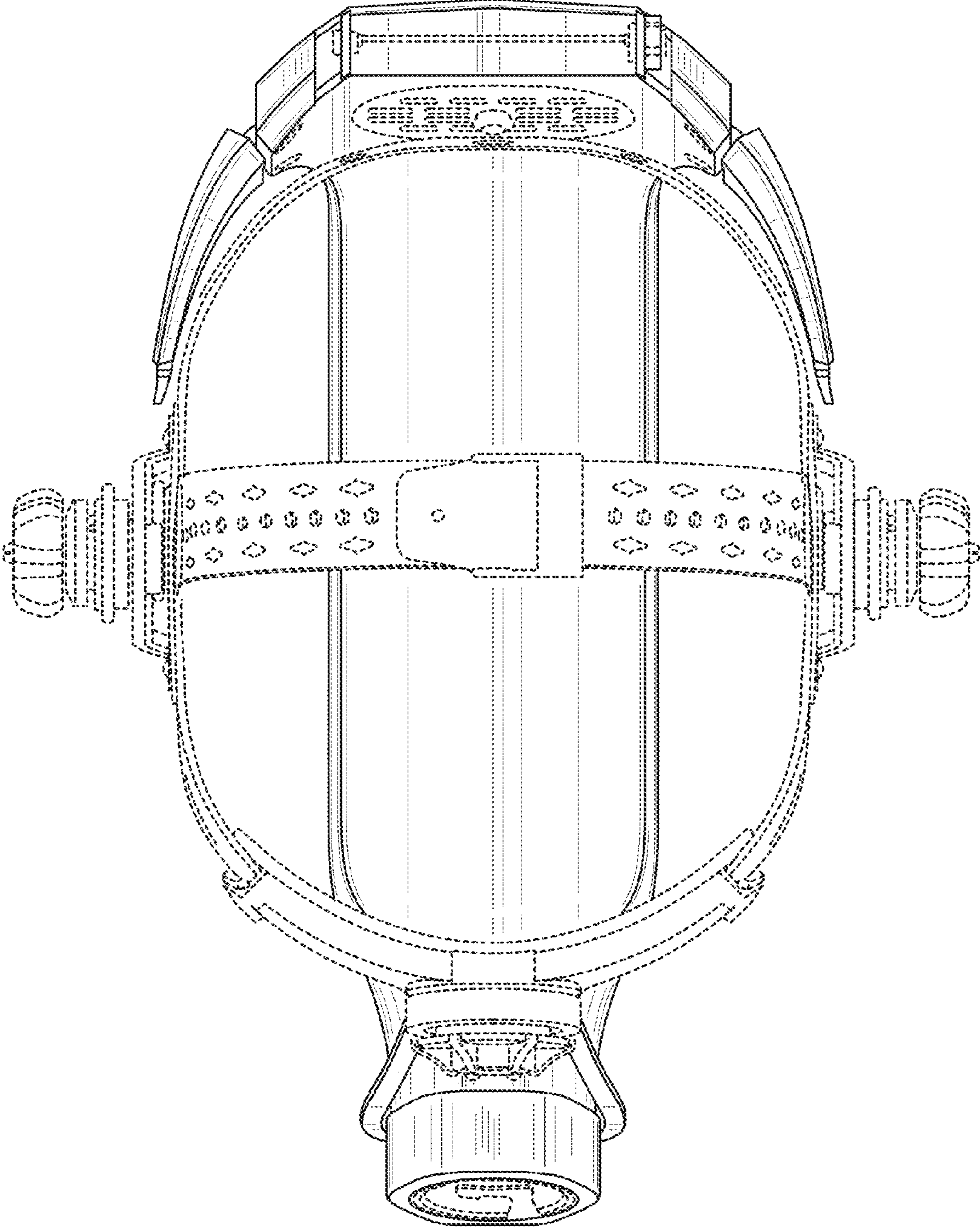


FIG. 3

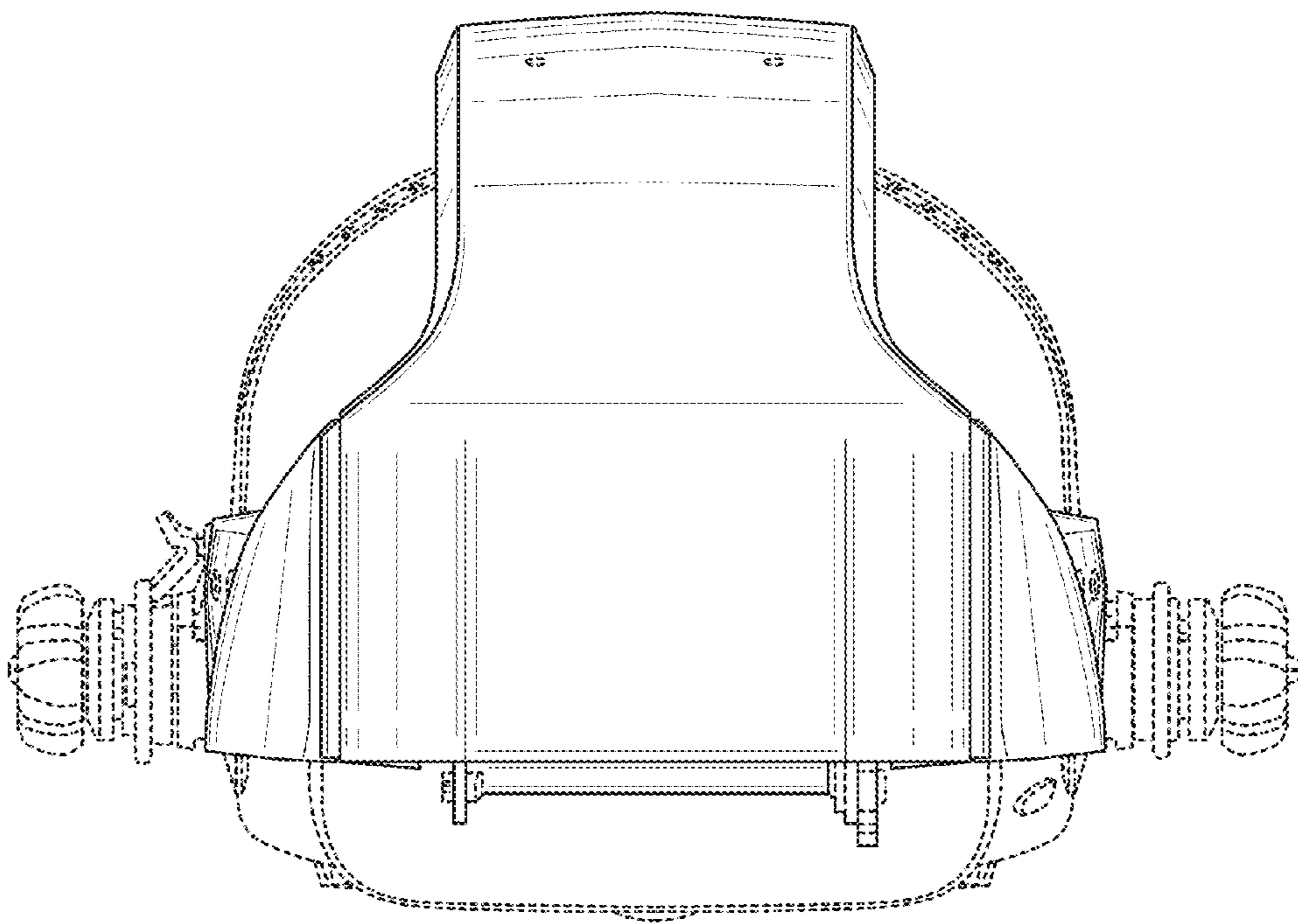


FIG. 4

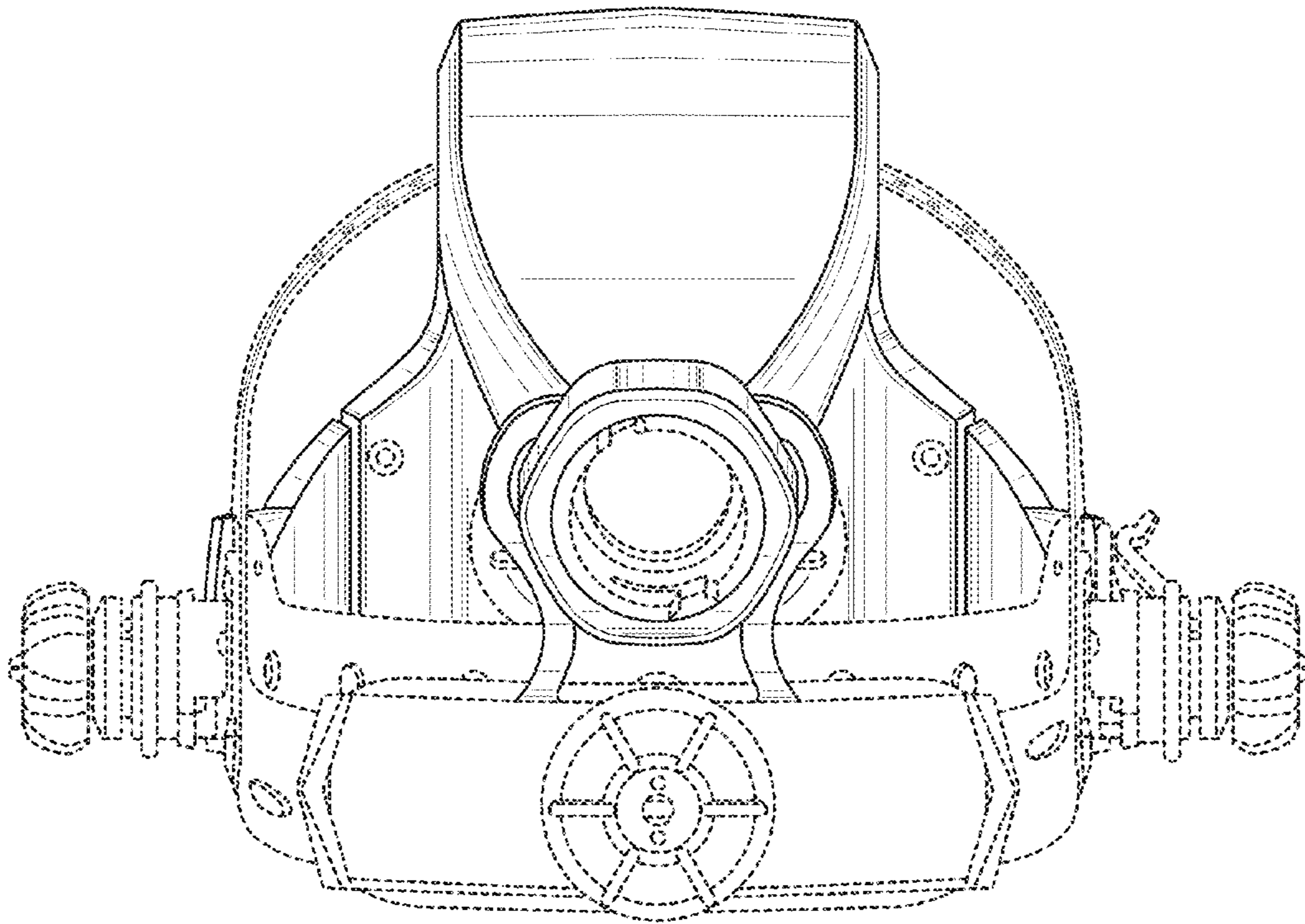


FIG. 5

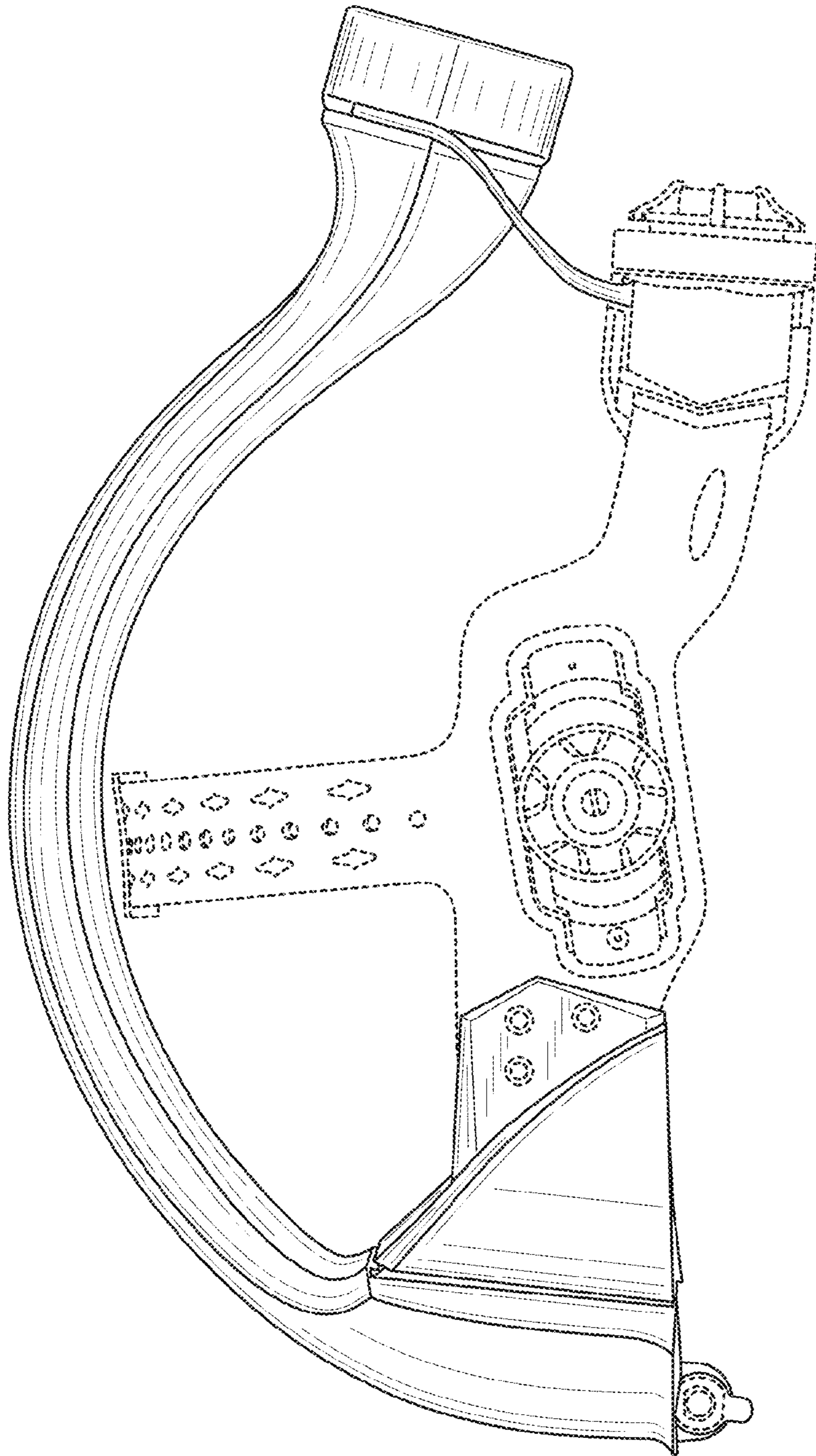


FIG. 6

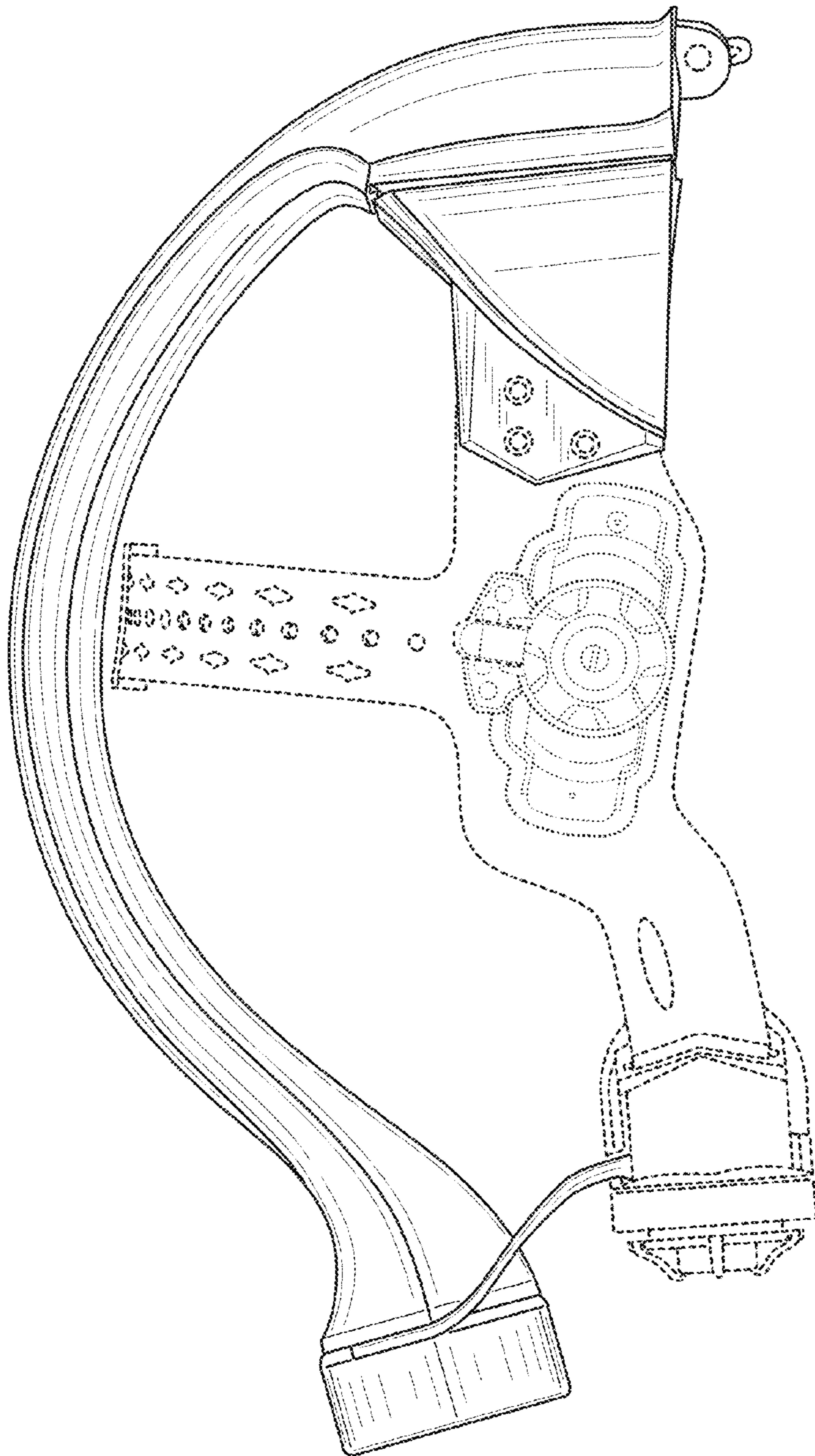


FIG. 7