



US00D716497S

(12) **United States Design Patent**
Renault

(10) **Patent No.:** **US D716,497 S**
(45) **Date of Patent:** **** Oct. 28, 2014**

(54) **HAIR APPLIANCE**
(71) Applicant: **Calor**, Ecully (FR)
(72) Inventor: **Fabrice Renault**, Ecully (FR)
(73) Assignee: **Calor SAS**, Ecully (FR)
(**) Term: **14 Years**

D672,087 S 12/2012 Julemont
D672,088 S * 12/2012 Julemont D28/35
D672,089 S * 12/2012 Julemont D28/35
D682,468 S * 5/2013 Kim D28/35

(21) Appl. No.: **29/472,386**
(22) Filed: **Nov. 12, 2013**

FOREIGN PATENT DOCUMENTS

EM 001190623-0001 1/2010
EM 001681750-0001 3/2010

* cited by examiner

Primary Examiner — Jennifer Rivard
(74) *Attorney, Agent, or Firm* — Loeb & Loeb LLP

(30) **Foreign Application Priority Data**

May 16, 2013 (EM) 002238667-0001

(51) **LOC (10) Cl.** **28-03**

(52) **U.S. Cl.**
USPC **D28/35**

(58) **Field of Classification Search**
USPC D28/35, 37, 10; 219/222; 132/210, 211,
132/223–269, 271–272
See application file for complete search history.

DESCRIPTION

FIG. 1 is a perspective view of an embodiment of a hair appliance showing my new design.
FIG. 2 is a left side elevational view of the hair appliance of FIG. 1.
FIG. 3 is a right side elevational view of the hair appliance of FIG. 1.
FIG. 4 is a top plan view of the hair appliance of FIG. 1.
FIG. 5 is a bottom plan view of the hair appliance of FIG. 1.
FIG. 6 is a front elevational view of the hair appliance of FIG. 1; and,
FIG. 7 is a back elevational view of the hair appliance of FIG. 1.

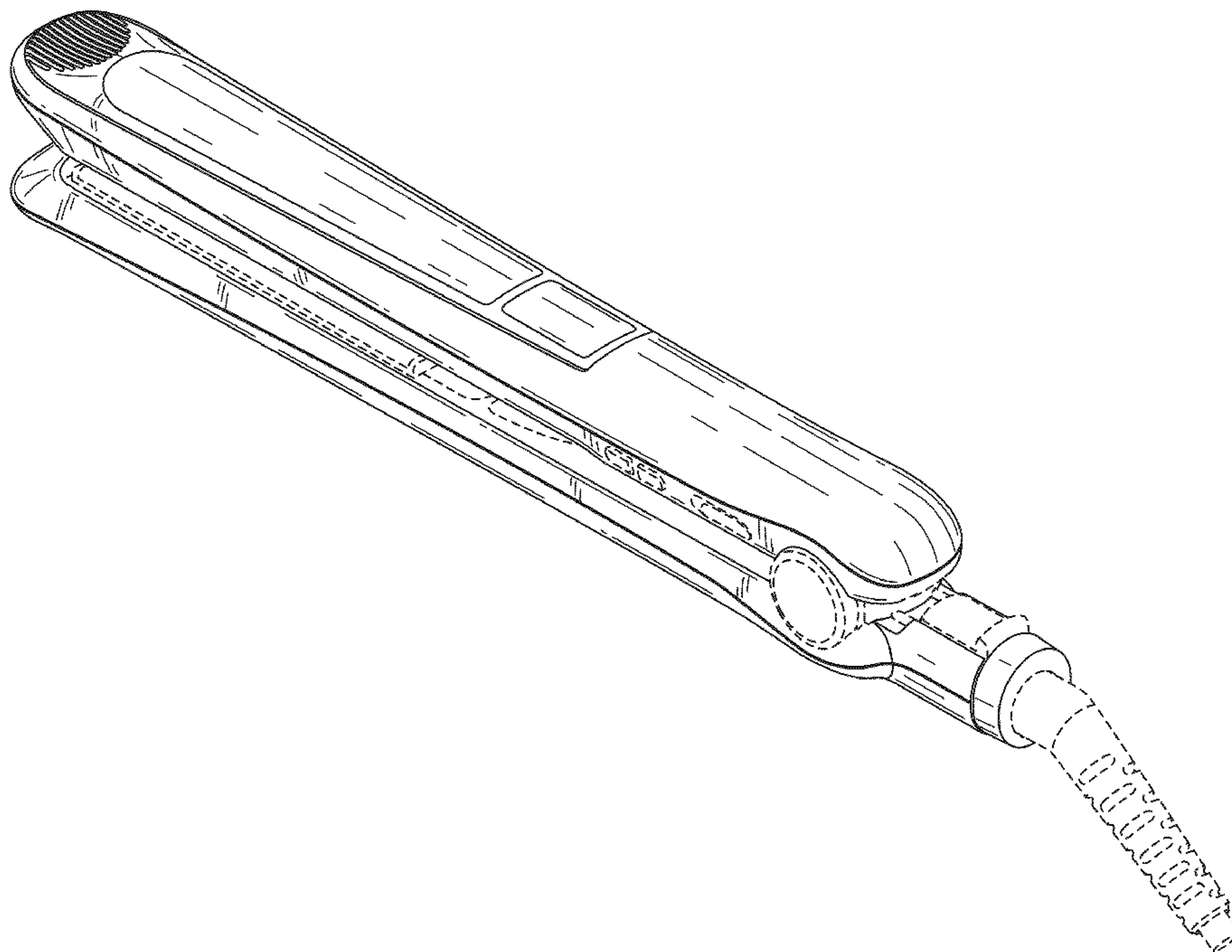
The broken lines appearing in the figures are for the purpose of illustrating the environmental structure of the article of the claimed design and form no part of the claimed design.

(56) **References Cited**

U.S. PATENT DOCUMENTS

D618,395 S 6/2010 Mau
D619,760 S 7/2010 Cheung
D627,925 S * 11/2010 Nenadich D28/35
D632,429 S * 2/2011 Kim D28/35
D645,614 S * 9/2011 Kim D28/35
D646,022 S 9/2011 Schmitz
D649,288 S 11/2011 Koehler
D665,947 S * 8/2012 Bachmann et al. D28/35

1 Claim, 7 Drawing Sheets



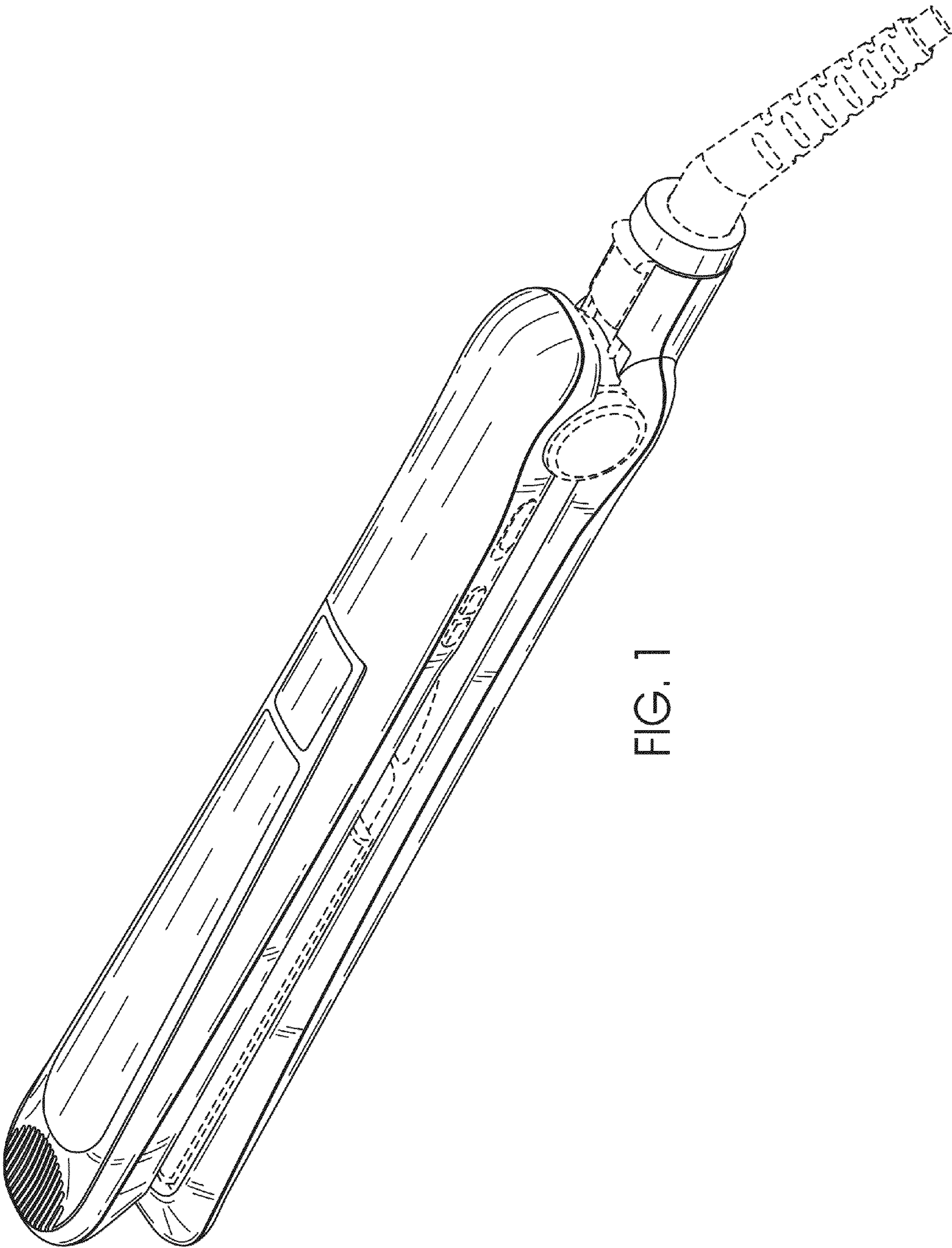


FIG. 1

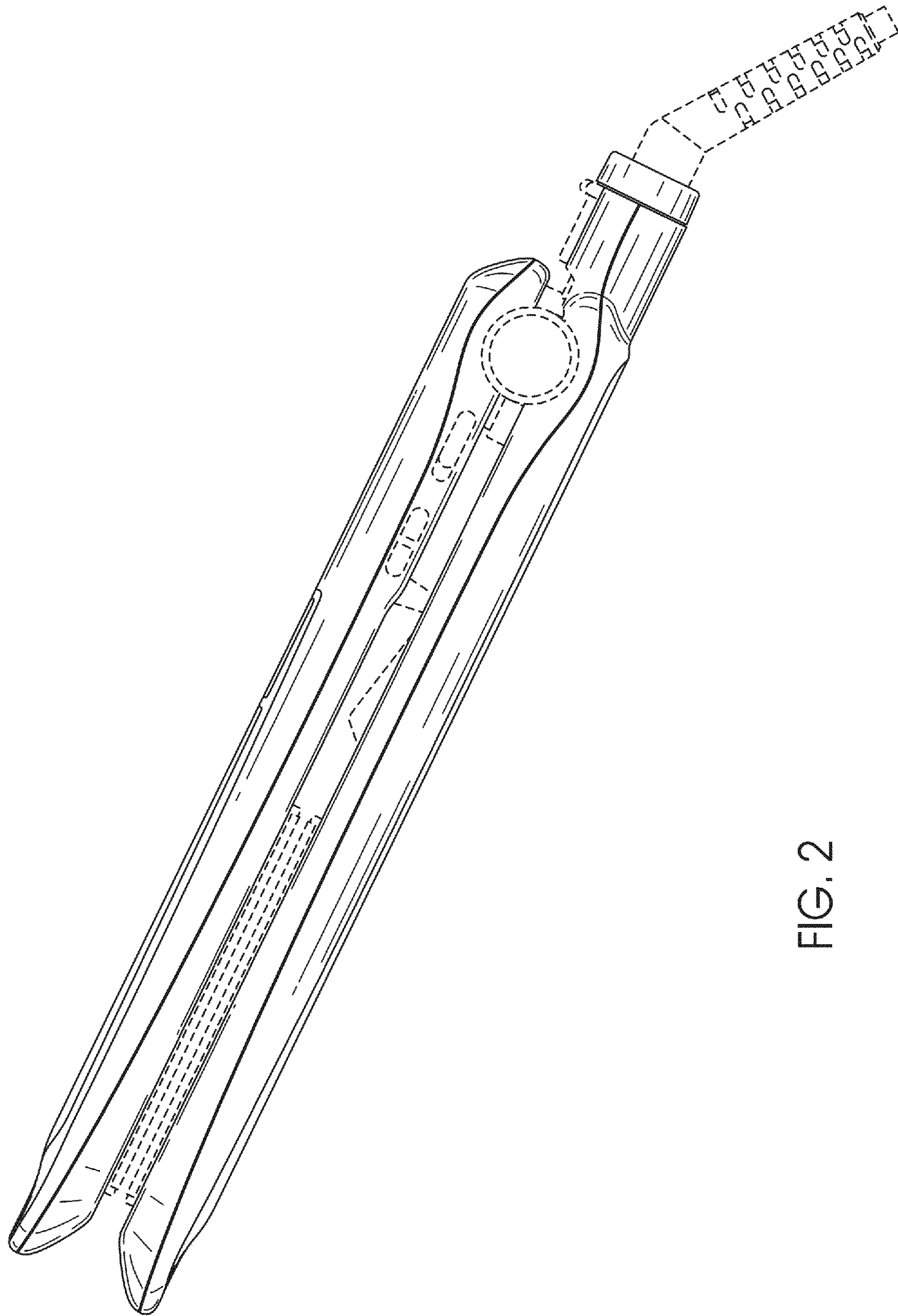


FIG. 2

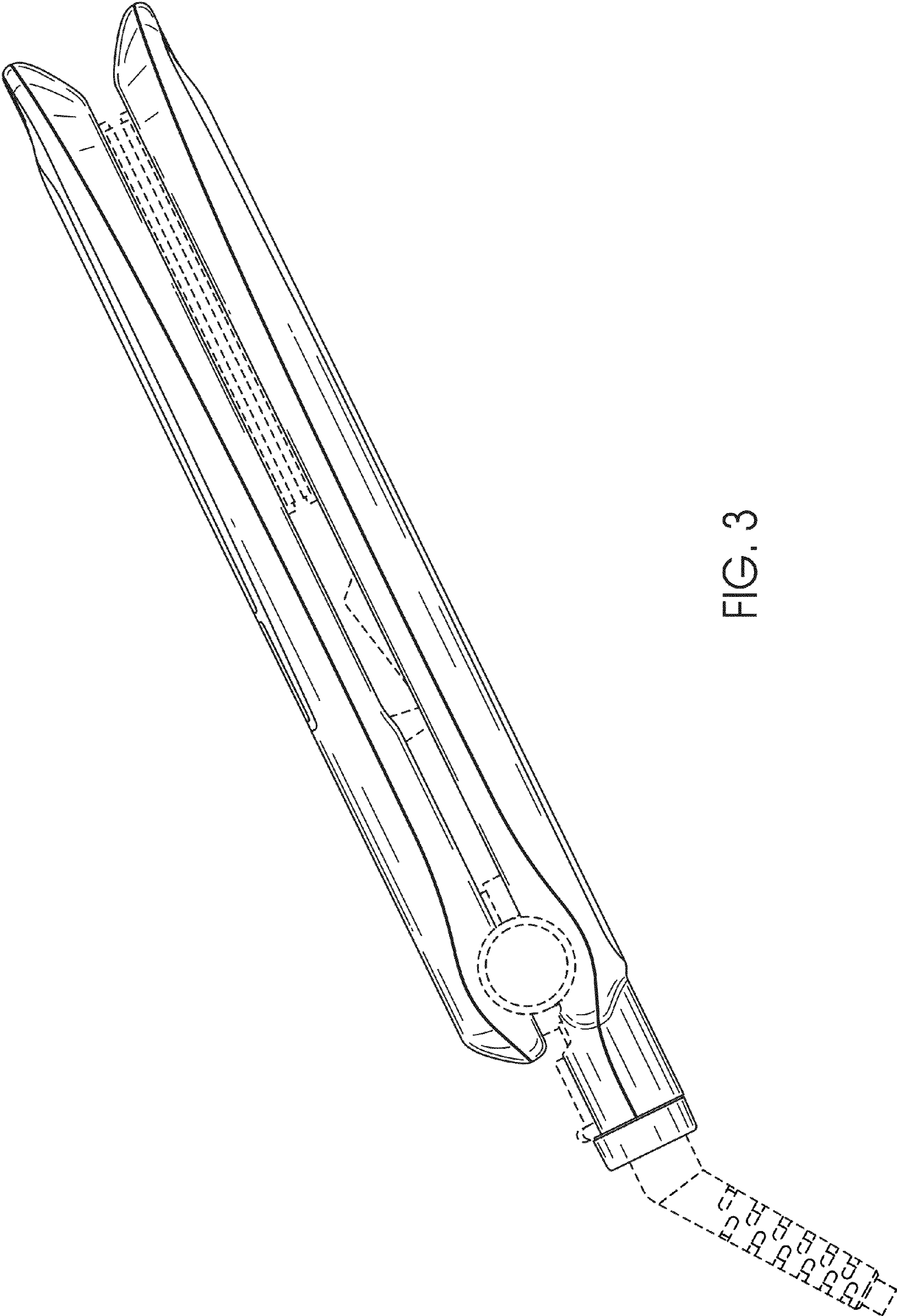


FIG. 3

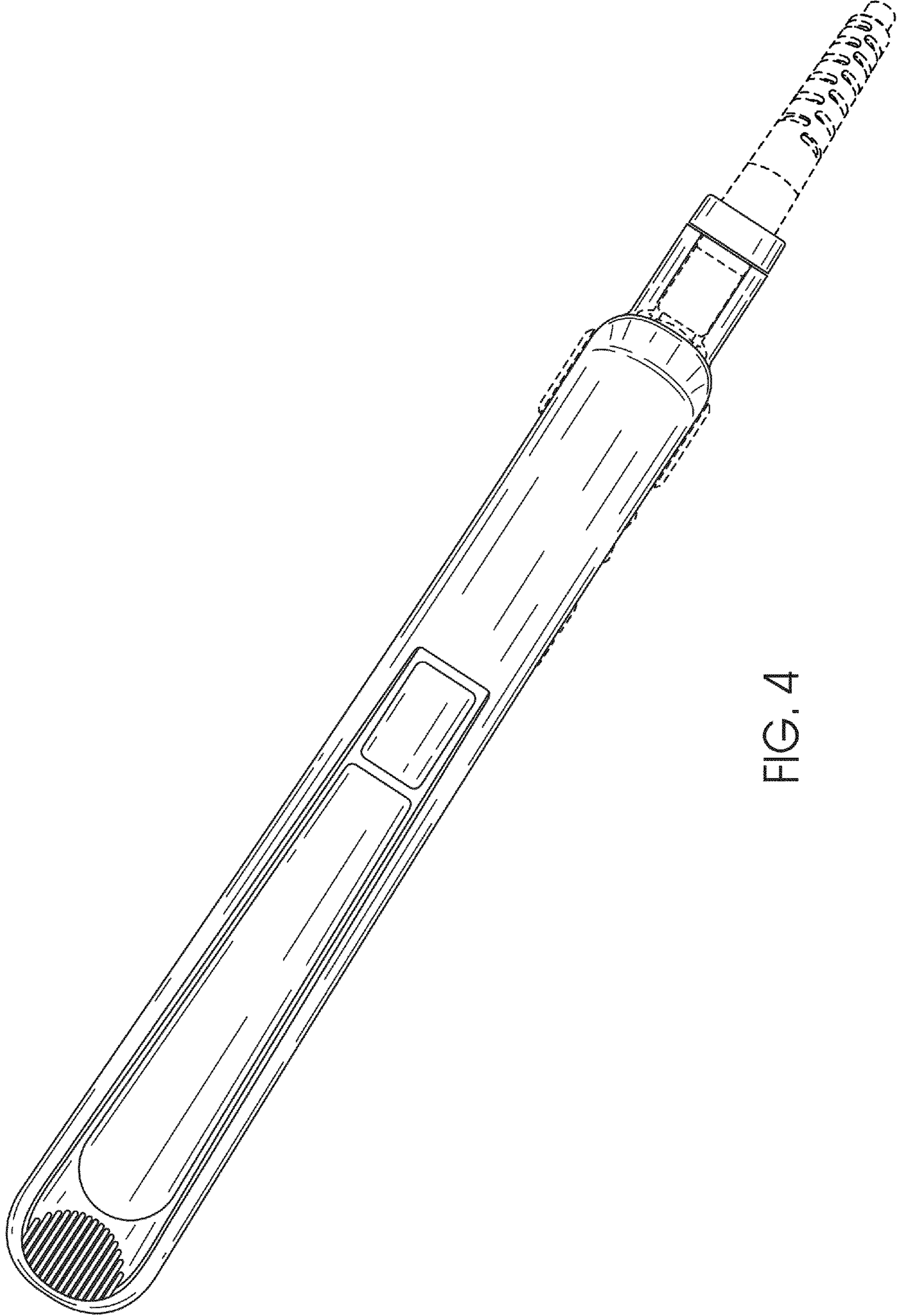


FIG. 4

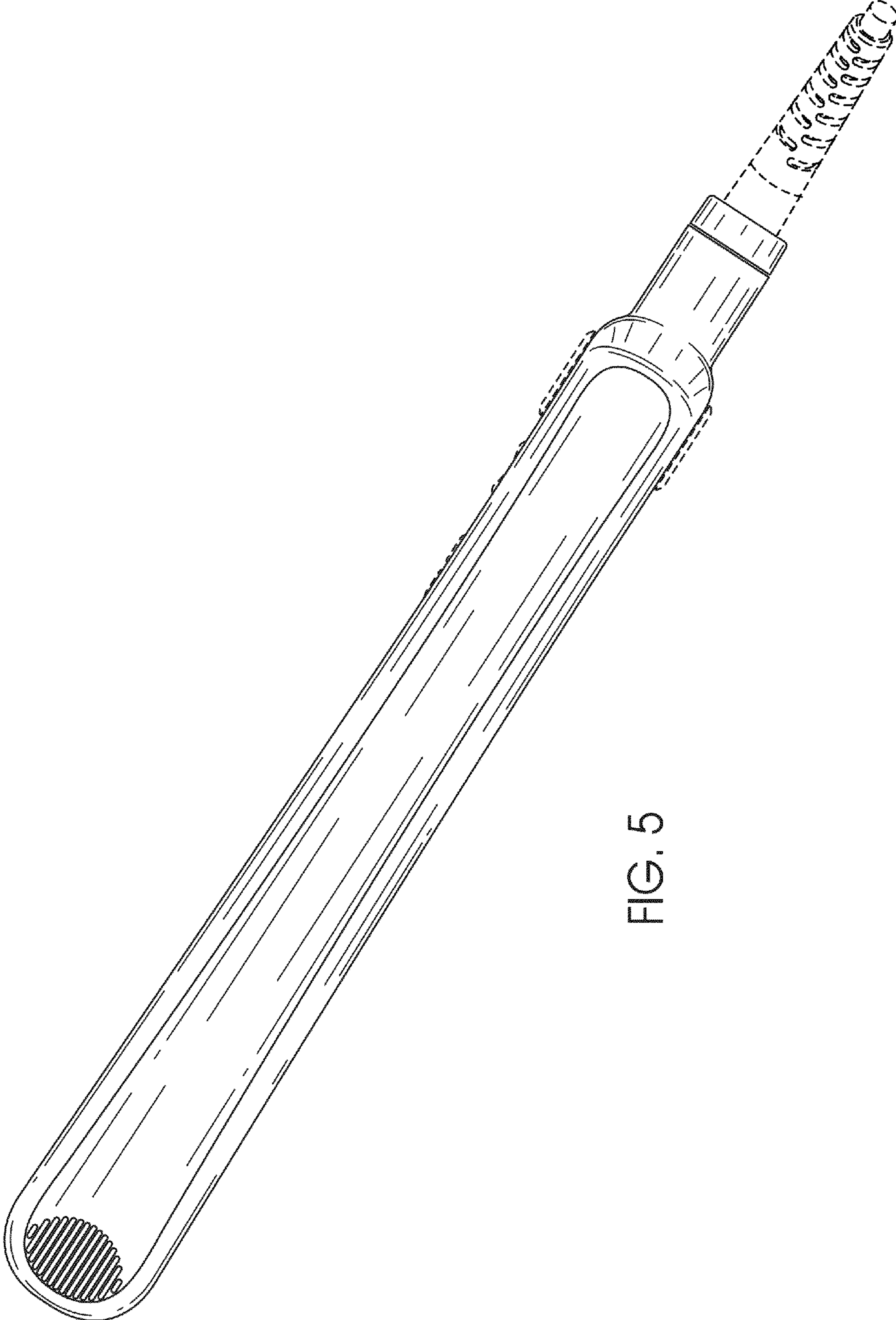


FIG. 5

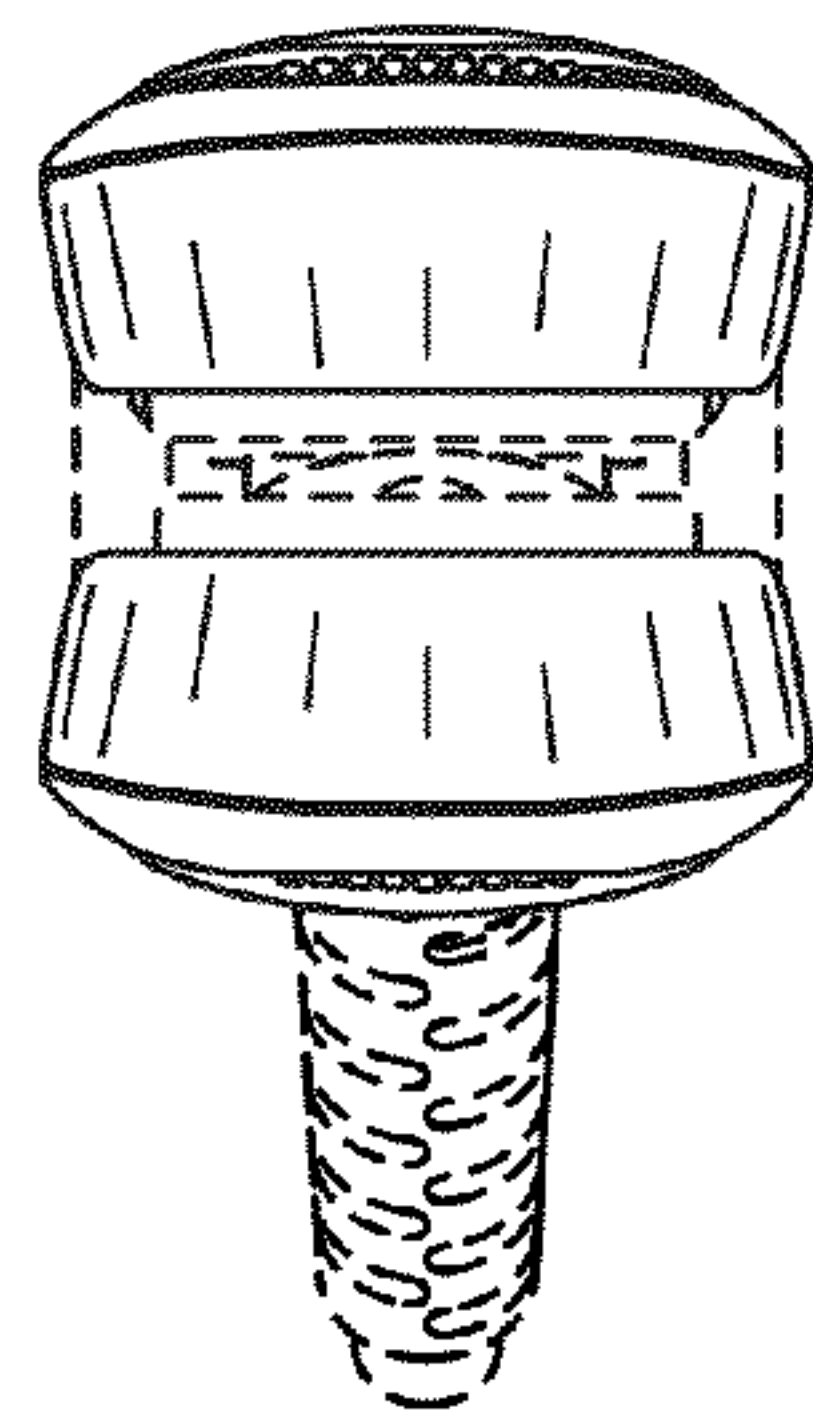


FIG. 6

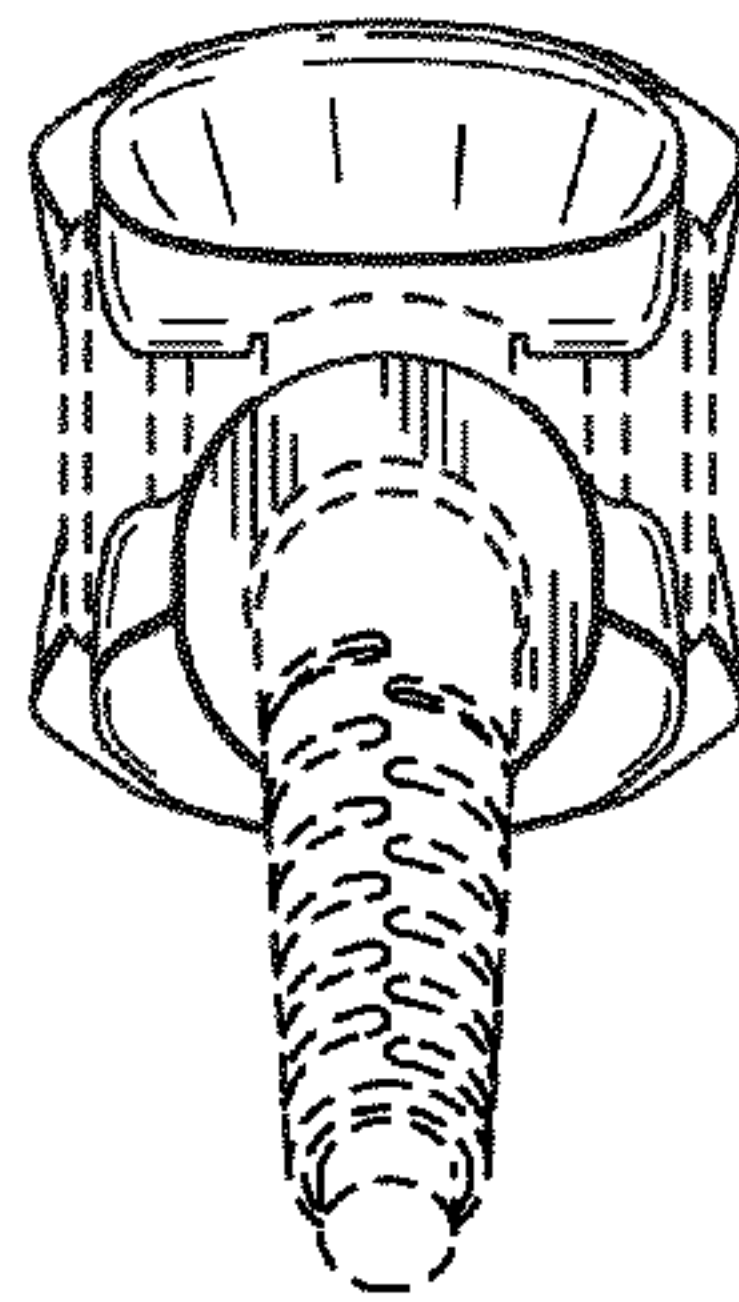


FIG. 7