



US00D716496S

(12) **United States Design Patent**
Fung

(10) **Patent No.:** **US D716,496 S**
(45) **Date of Patent:** **** Oct. 28, 2014**

- (54) **HAIR STRAIGHTENER APPARATUS**
- (71) Applicant: **Conair Corporation**, Stamford, CT (US)
- (72) Inventor: **Kam Fai Fung**, Hong Kong (CN)
- (73) Assignee: **Conair Corporation**, Stamford, CT (US)
- (**) Term: **14 Years**
- (21) Appl. No.: **29/471,065**
- (22) Filed: **Oct. 28, 2013**
- (51) **LOC (10) Cl.** **28-03**
- (52) **U.S. Cl.**
USPC **D28/35**
- (58) **Field of Classification Search**
USPC D28/35, 7, 10; 219/222; 132/210, 211, 132/223-269, 271-272
See application file for complete search history.

- 7,341,064 B2 3/2008 Habibi
- 7,380,556 B2 6/2008 Carballada et al.
- 7,465,904 B2 12/2008 Kim et al.
- 7,478,640 B2 1/2009 Saida et al.
- 7,540,289 B2 6/2009 Habibi
- D596,789 S * 7/2009 Rizzuto D28/35
- D596,790 S * 7/2009 Rizzuto D28/35
- D596,798 S * 7/2009 Keong D28/35
- 7,597,107 B2 10/2009 Imai et al.

(Continued)

OTHER PUBLICATIONS

International Search Report for corresponding International Application No. PCT/US13/74937, dated Jan. 17, 2014, 3 pages.

Primary Examiner — Jennifer Rivard
(74) *Attorney, Agent, or Firm* — Carter, DeLuca, Farrell & Schmidt LLP

(57) **CLAIM**
The ornamental design for the hair straightener apparatus, as shown and described.

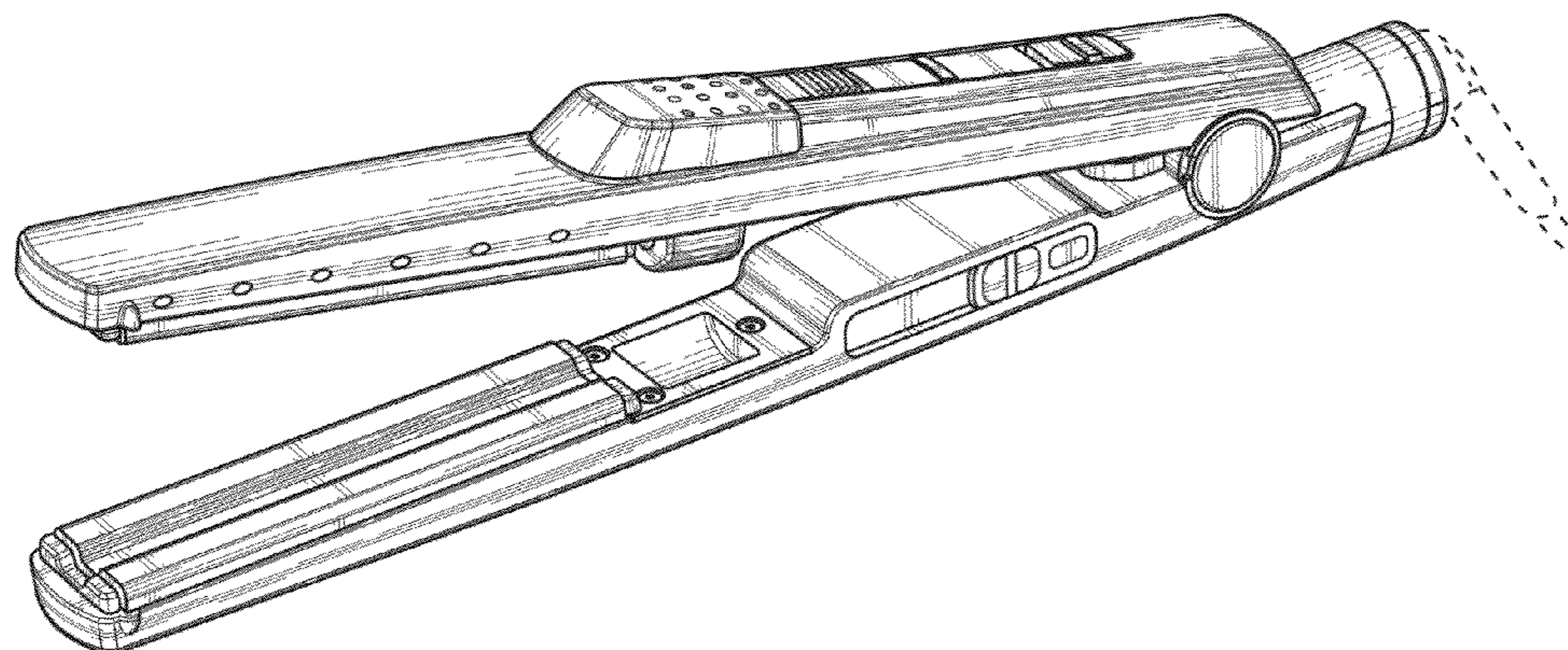
DESCRIPTION

FIG. 1 is a perspective view of the hair straightener apparatus in accordance with the principles of the present disclosure; FIG. 2 is a left side elevation view of the hair straightener apparatus; FIG. 3 is a right side elevation view of the hair straightener apparatus; FIG. 4 is a front elevation view of the hair straightener apparatus; FIG. 5 is a top plan view of the hair straightener apparatus; and, FIG. 6 is a bottom plan view of the hair straightener apparatus. The broken lines shown in the drawings illustrate a portion of the hair straightener apparatus and form no part of the claimed design.

1 Claim, 4 Drawing Sheets

(56) **References Cited**
U.S. PATENT DOCUMENTS

5,781,691	A	7/1998	Kwok
5,875,789	A	3/1999	Shigihara
5,983,903	A	11/1999	Nanba et al.
6,029,677	A	2/2000	Nanba et al.
6,053,178	A	4/2000	Todd
6,119,702	A	9/2000	Habibi
6,191,387	B1	2/2001	Smal
6,196,236	B1	3/2001	Imai et al.
6,325,072	B1	12/2001	Smetana
6,526,988	B2	3/2003	Takehana
6,584,985	B2	7/2003	Omura
6,701,937	B2	3/2004	Janouch et al.
6,802,320	B2	10/2004	Janouch et al.
RE38,713	E	3/2005	Habibi
6,941,955	B2	9/2005	Yao
7,178,531	B2	2/2007	Carballada et al.
7,296,581	B2	11/2007	Gold
7,325,551	B2	2/2008	Henninger et al.



(56)

References Cited

U.S. PATENT DOCUMENTS

D606,254 S *	12/2009	Leung	D28/35	2008/0283081 A1	11/2008	Habibi	
7,958,897 B2	6/2011	Uchinashi		2009/0266378 A1	10/2009	Nunomura	
D674,541 S *	1/2013	Kim	D28/35	2009/0288675 A1	11/2009	Nunomura	
2008/0072921 A1	3/2008	Habibi		2010/0212683 A1	8/2010	Mizuno	
2008/0283080 A1	11/2008	Habibi		2011/0079238 A1	4/2011	Takehana	
				2011/0108051 A1	5/2011	Yahnker et al.	
				2012/0291797 A1*	11/2012	deGrood et al.	132/211
				2012/0312319 A1	12/2012	Uwano	

* cited by examiner

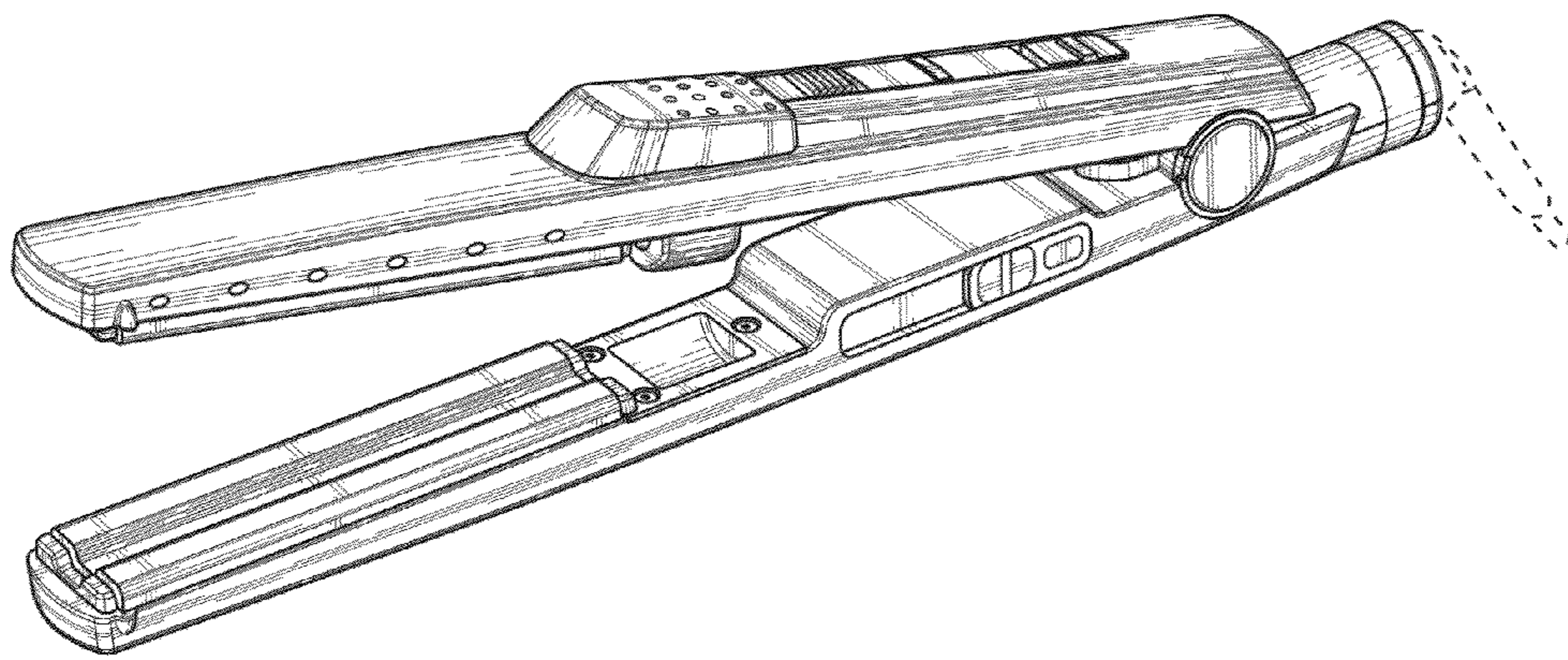


FIG. 1

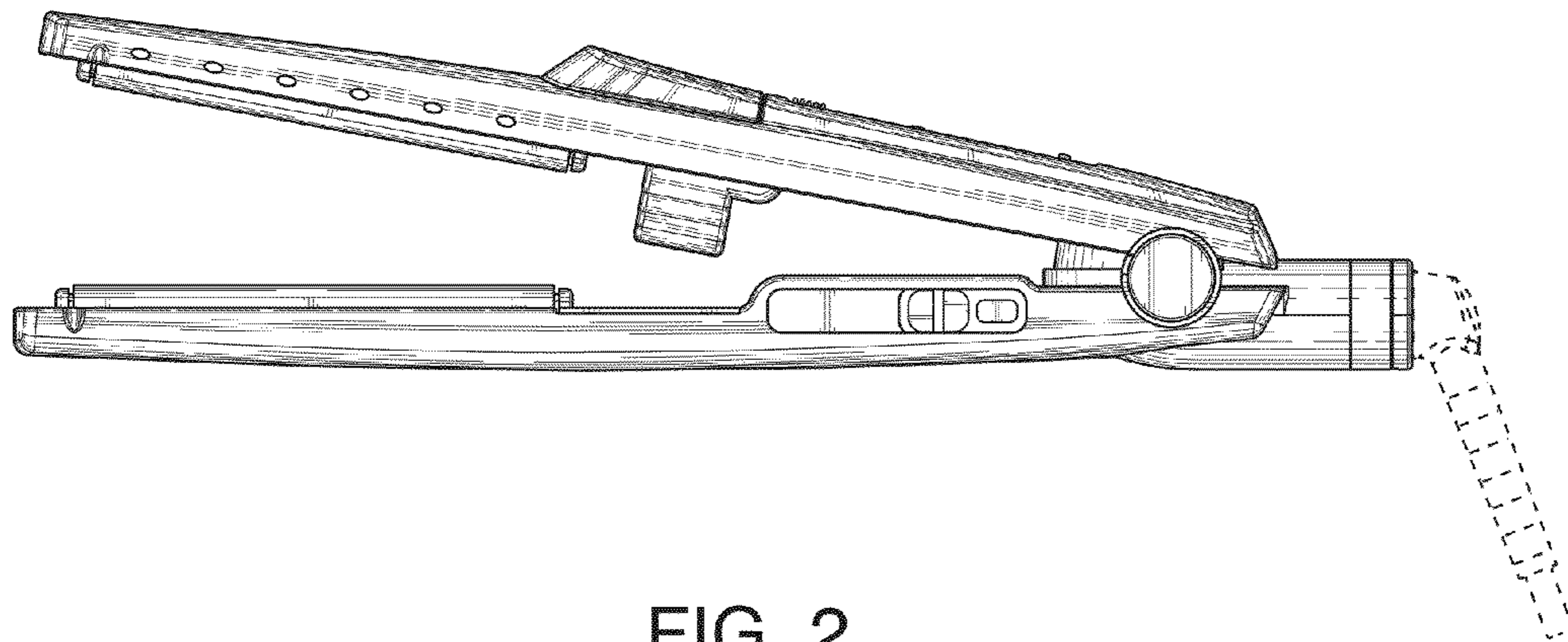


FIG. 2

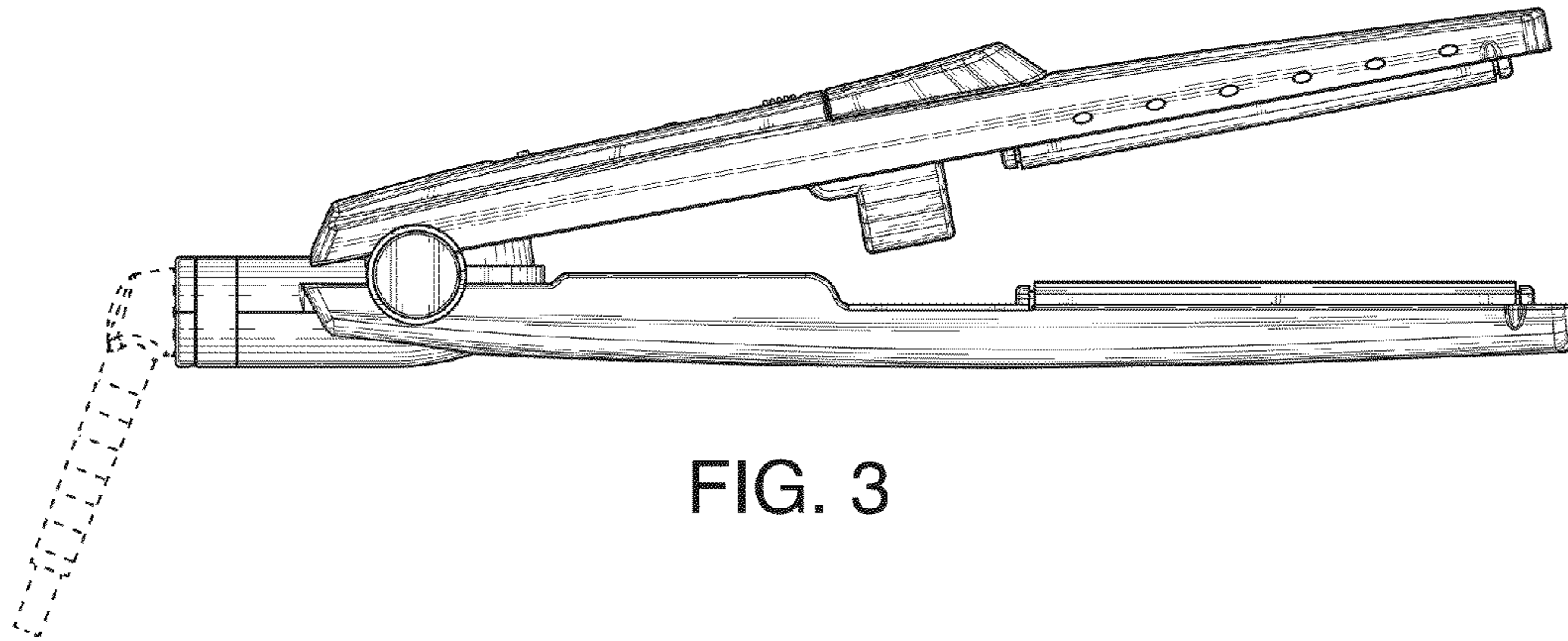


FIG. 3

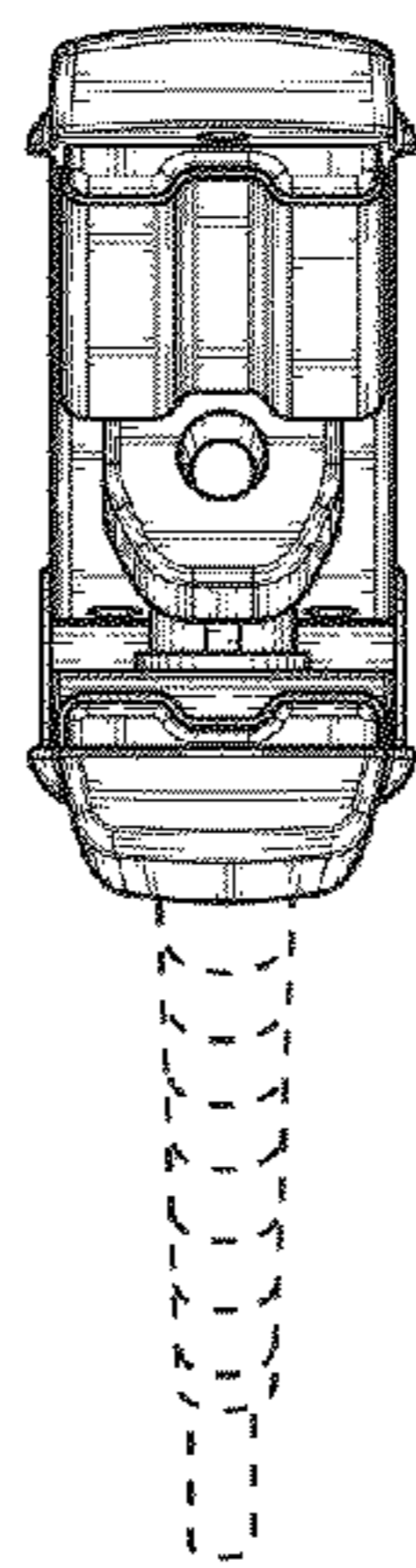


FIG. 4

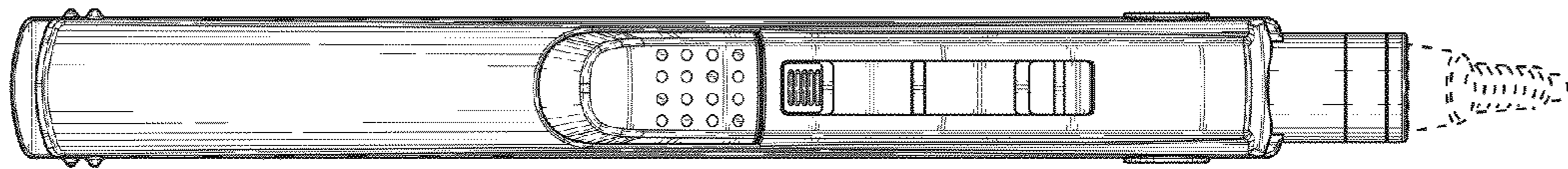


FIG. 5

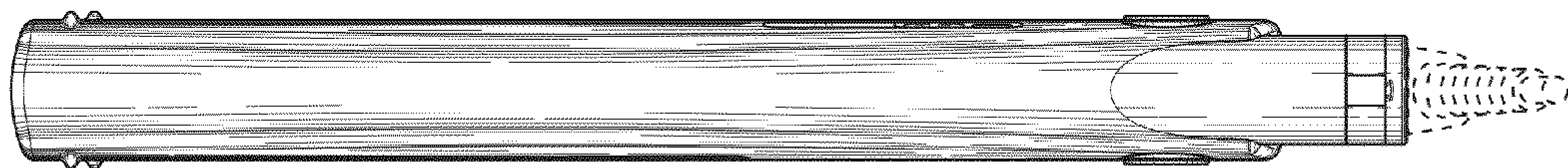


FIG. 6