



US00D716494S

(12) **United States Design Patent**  
**Black**

(10) **Patent No.:** **US D716,494 S**

(45) **Date of Patent:** **\*\* Oct. 28, 2014**

(54) **HAIR STRAIGHTENER**

(71) Applicant: **Andrew Black**, West Yorkshire (GB)

(72) Inventor: **Andrew Black**, West Yorkshire (GB)

(\*\*) Term: **14 Years**

(21) Appl. No.: **29/441,487**

(22) Filed: **Jan. 6, 2013**

(30) **Foreign Application Priority Data**

Jul. 7, 2012 (GB) ..... 4025490

(51) **LOC (10) Cl.** ..... **28-03**

(52) **U.S. Cl.**  
USPC ..... **D28/35**

(58) **Field of Classification Search**

USPC ..... 219/222-226; 132/222, 223-272;  
D28/35, 37-38, 40

See application file for complete search history.

(56) **References Cited**

U.S. PATENT DOCUMENTS

D596,796 S *	7/2009	Keong et al. ....	D28/35
D606,258 S *	12/2009	Leung .....	D28/35
D611,197 S *	3/2010	Koenemann .....	D28/35
D632,429 S *	2/2011	Kim .....	D28/35
D682,468 S *	5/2013	Kim .....	D28/35

\* cited by examiner

*Primary Examiner* — Jennifer Rivard

(74) *Attorney, Agent, or Firm* — Edwin D. Schindler

(57) **CLAIM**

The ornamental design for a hair straightener, as shown and described.

**DESCRIPTION**

FIG. 1 is a perspective view of a hair straightener showing the present design;

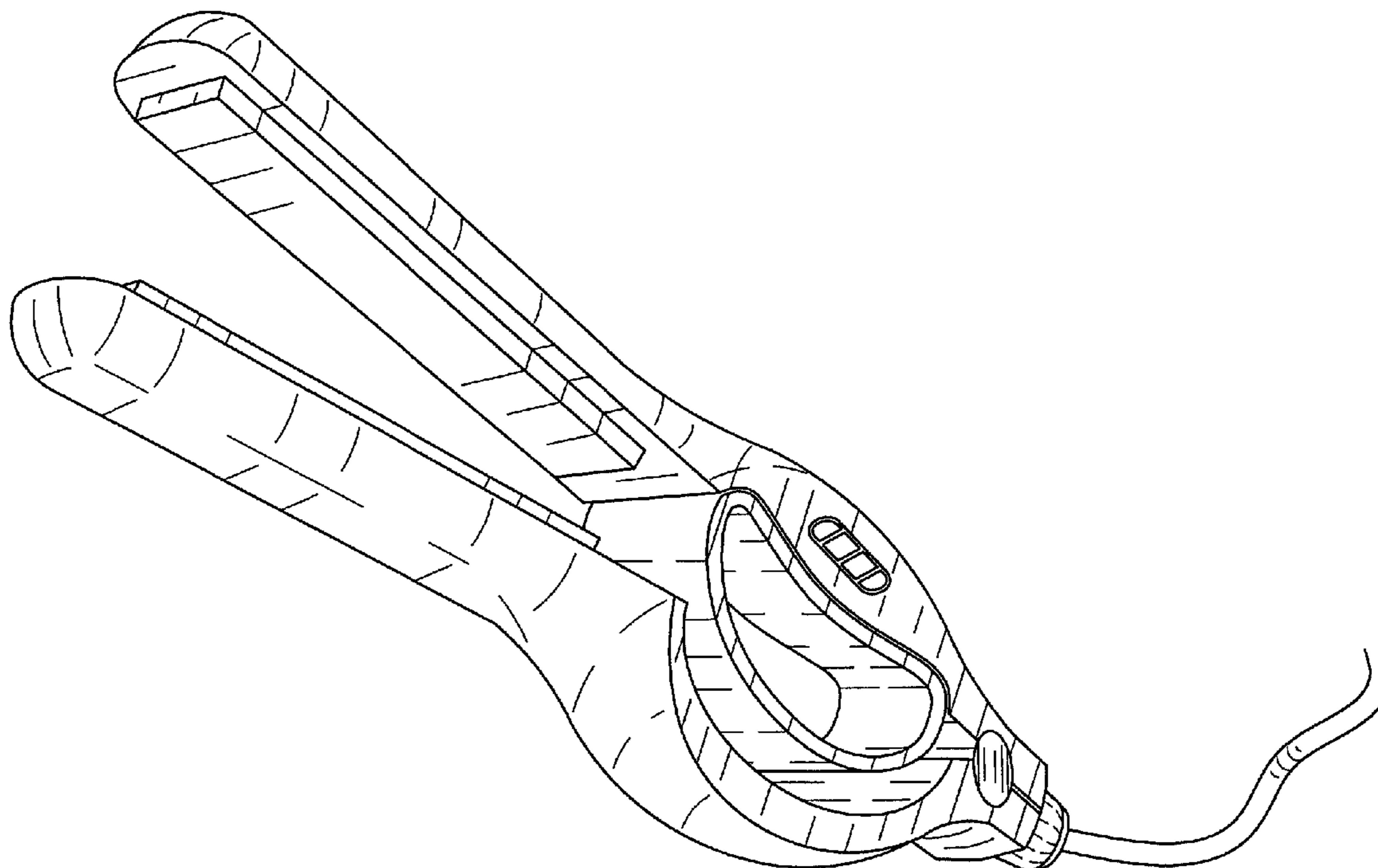
FIG. 2 is a first side view of the hair straightener of FIG. 1;

FIG. 3 is a second side view of the hair straightener of FIG. 1, the second view being a side view as seen from a side opposite the first side view;

FIG. 4 is a top view of the hair straightener of FIG. 1; and,

FIG. 5 is a bottom view of the hair straightener of FIG. 1.

**1 Claim, 4 Drawing Sheets**



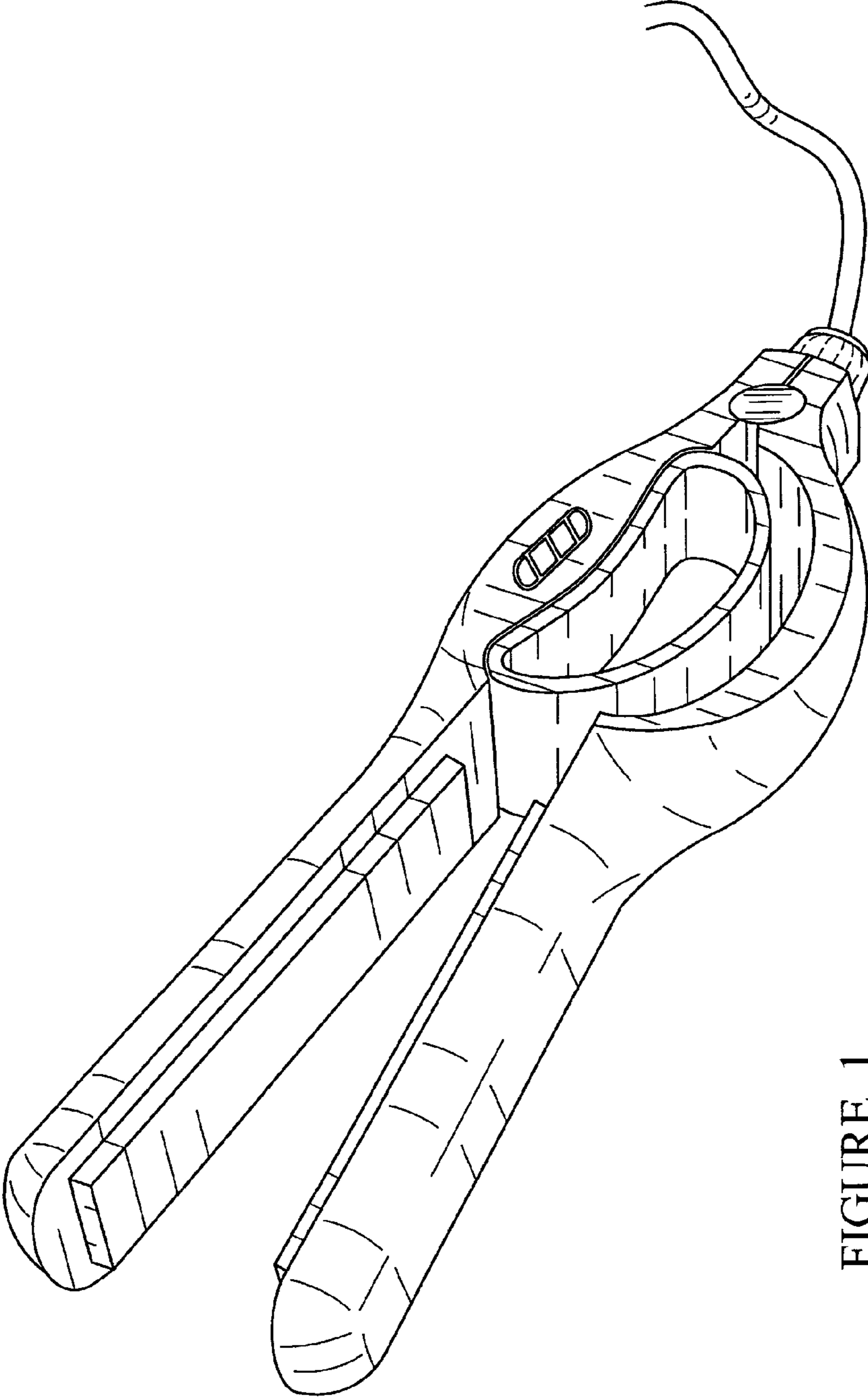


FIGURE 1

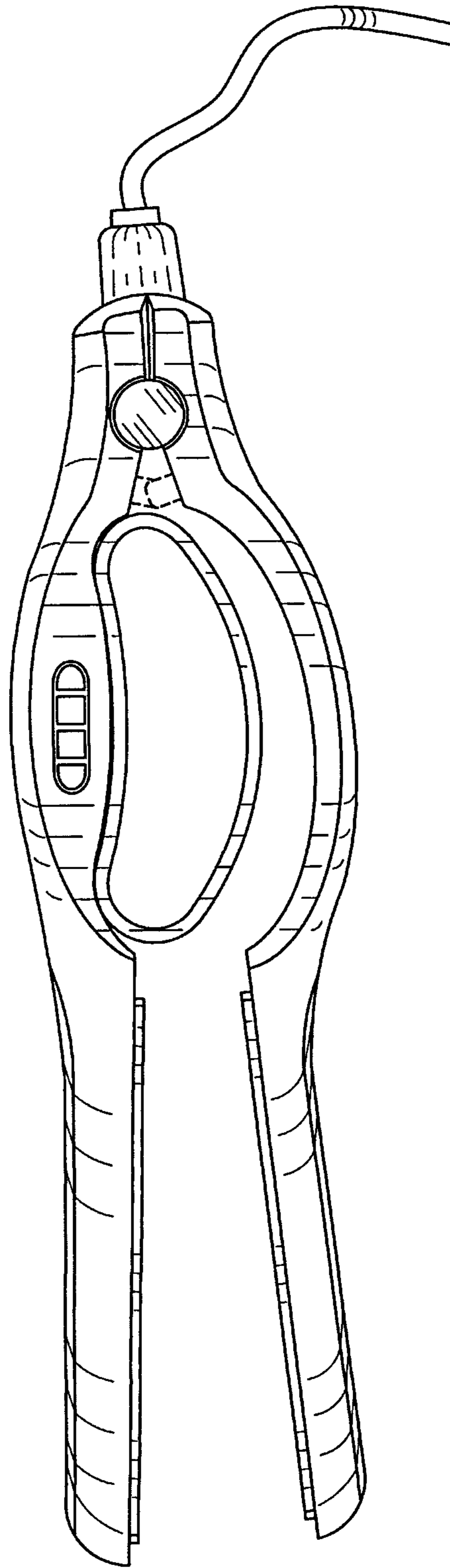


FIGURE 2

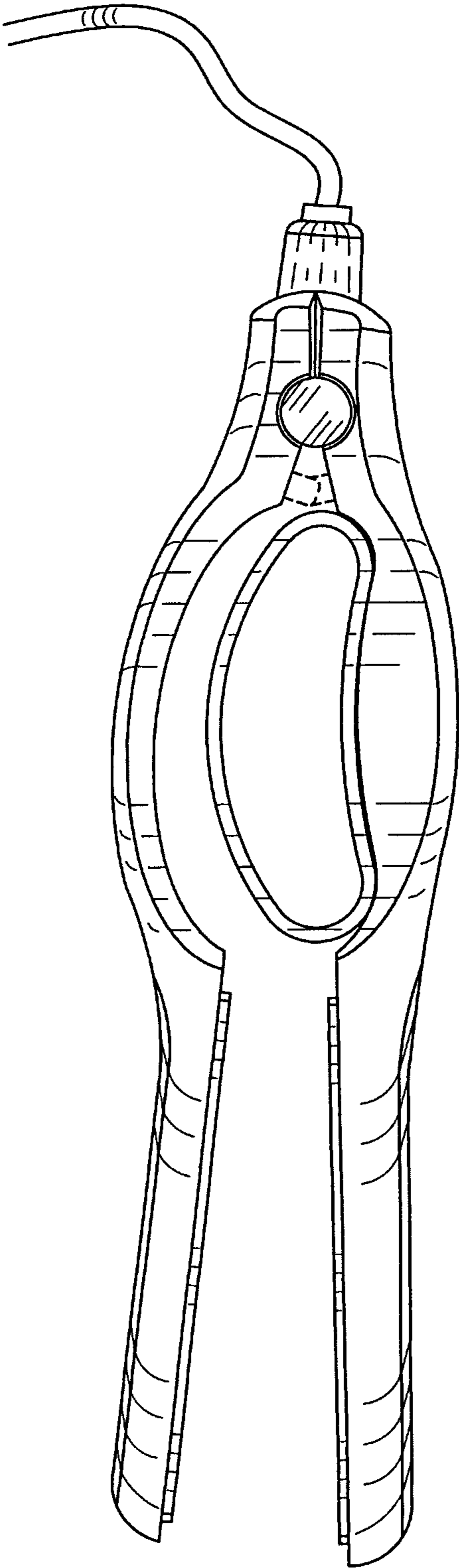


FIGURE 3

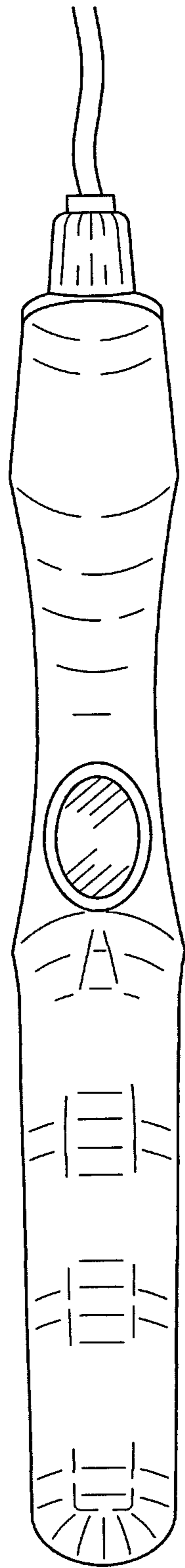


FIGURE 4

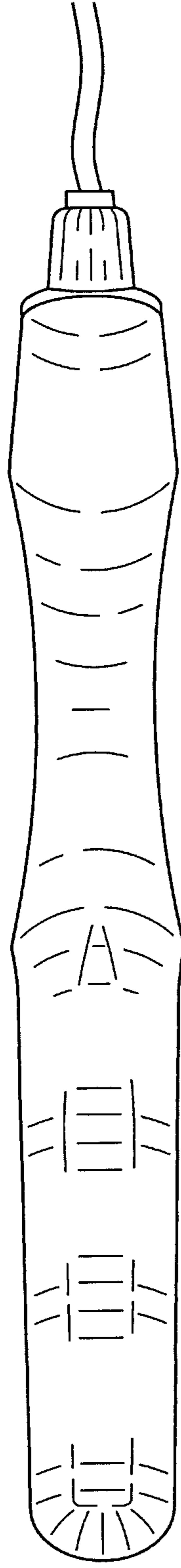


FIGURE 5