



US00D716493S

(12) **United States Design Patent**  
**Michaels et al.**

(10) **Patent No.:** **US D716,493 S**  
(45) **Date of Patent:** **\*\* Oct. 28, 2014**

(54) **LASER COMB**

(71) Applicant: **Lexington International, LLC**, Boca Raton, FL (US)

(72) Inventors: **David Michaels**, Boca Raton, FL (US); **Paolo Lugaro**, Turin (IT); **Claudio Ponzio**, Chieri (IT); **James Smeriglio**, Palm Beach Gardens, FL (US)

(73) Assignee: **Lexington International, LLC**, Boca Raton, FL (US)

(\*\*) Term: **14 Years**

(21) Appl. No.: **29/493,388**

(22) Filed: **Jun. 9, 2014**

(51) **LOC (10) Cl.** ..... **28-03**

(52) **U.S. Cl.**

CPC ..... **A45D 24/00** (2013.01)

USPC ..... **D28/30**

(58) **Field of Classification Search**

CPC ..... **A45D 24/00**

USPC ..... **D28/7, 20-34; 132/53, 112, 126, 150,**

**132/208, 219.216; D32/49; 15/142, 143.1;**

**D30/158, 159**

See application file for complete search history.

(56) **References Cited**

**U.S. PATENT DOCUMENTS**

1,948,990	A	2/1934	Mitlehner	
2,397,757	A	4/1946	Schwedersky	
6,053,180	A	4/2000	Kwan	
D442,331	S *	5/2001	Pannozzo et al.	D28/7
6,363,215	B1	3/2002	Cafaro	
6,450,941	B1	9/2002	Larsen	
6,497,719	B2 *	12/2002	Pearl et al.	607/89
6,709,446	B2	3/2004	Lundahl et al.	
D505,265	S *	5/2005	Lee	D4/114

D519,674	S *	4/2006	Chu et al.	D28/7
7,194,316	B2	3/2007	Bousfield et al.	
D599,954	S *	9/2009	Michaels et al.	D28/30
D613,908	S *	4/2010	Torres Martin	D28/30
D631,604	S *	1/2011	Michaels et al.	D28/30
2002/0077679	A1 *	6/2002	Lo	607/90
2003/0093915	A1	5/2003	Pearl et al.	
2004/0147984	A1	7/2004	Altshuler et al.	

**FOREIGN PATENT DOCUMENTS**

EP	1666016	A1	6/2006
WO	2005086846	A2	9/2005
WO	2007050144	A1	5/2007
WO	2007096344	A1	8/2007

**OTHER PUBLICATIONS**

Whelan, et al., Effect of NASA Light-Emitting Diode Irradiation on Wound Healing, *Journal of Clinical Laser Medicine & Surgery*, vol. 19, Nov. 6, 2011, pp. 305-314, Mary Ann Liebert, Inc., USA.

\* cited by examiner

*Primary Examiner* — Zenia Bennett

(74) *Attorney, Agent, or Firm* — Christopher & Weisberg, P.A.

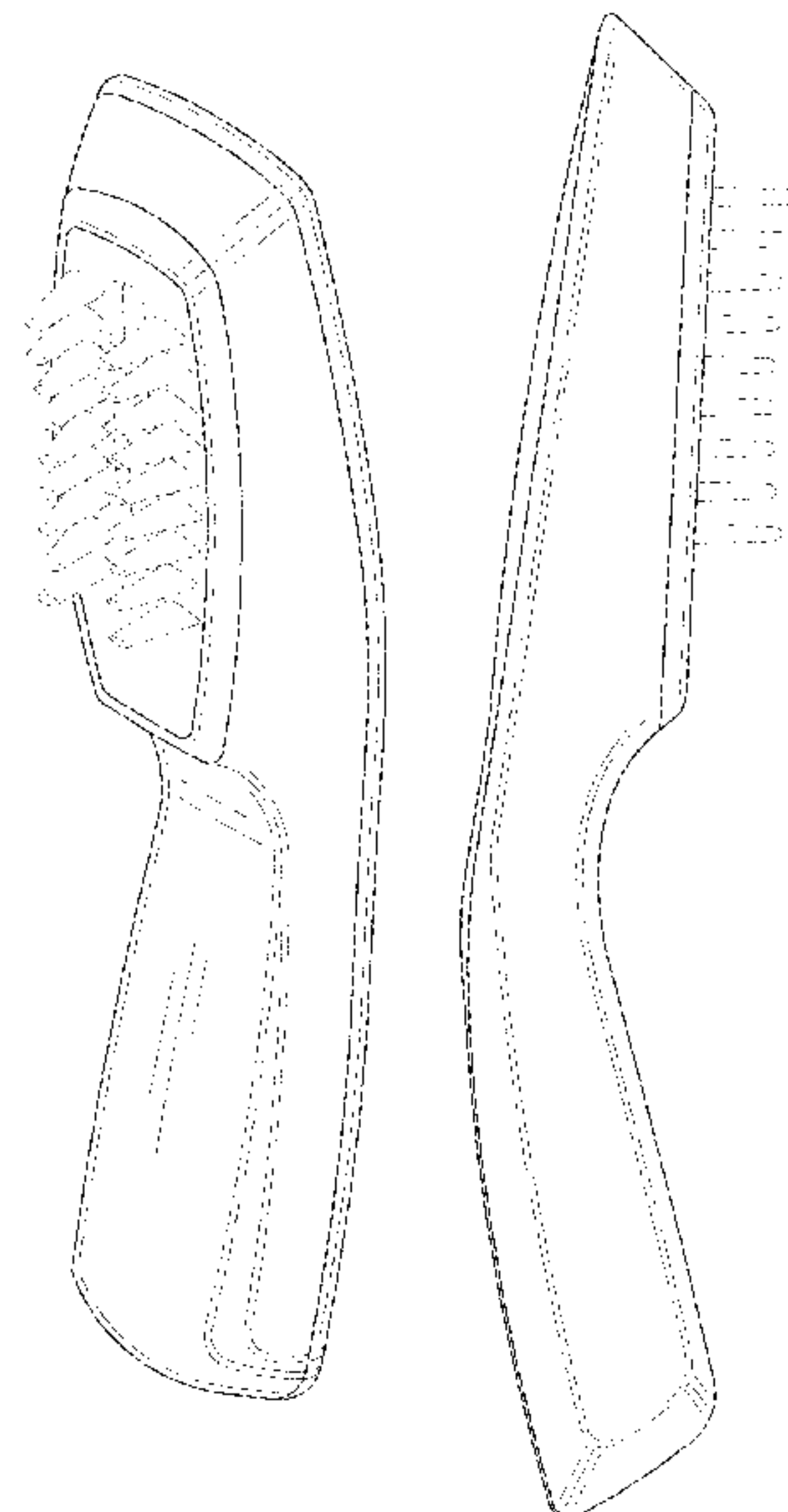
(57) **CLAIM**

The ornamental design for a laser comb, as shown and described.

**DESCRIPTION**

FIG. 1 is rear perspective view of a design for a laser comb; FIG. 2 is a rear view thereof; FIG. 3 is a front view thereof; FIG. 4 is a right side view thereof; FIG. 5 is a left side view thereof; FIG. 6 is a top view thereof; and, FIG. 7 is a bottom view thereof. The broken lines form no part of the claimed design.

**1 Claim, 6 Drawing Sheets**



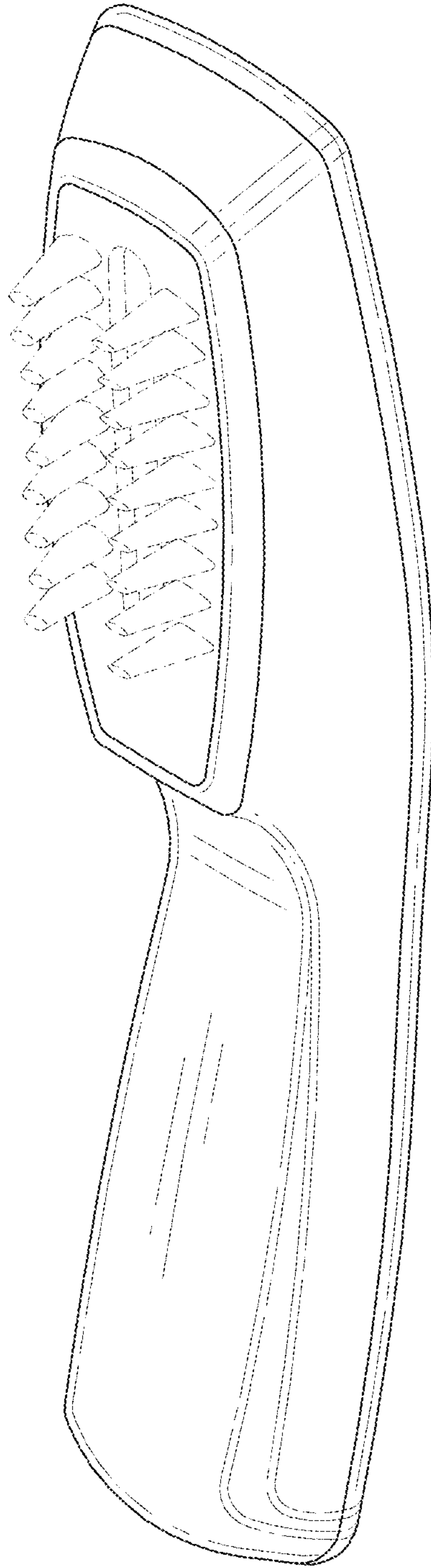


FIG. 1

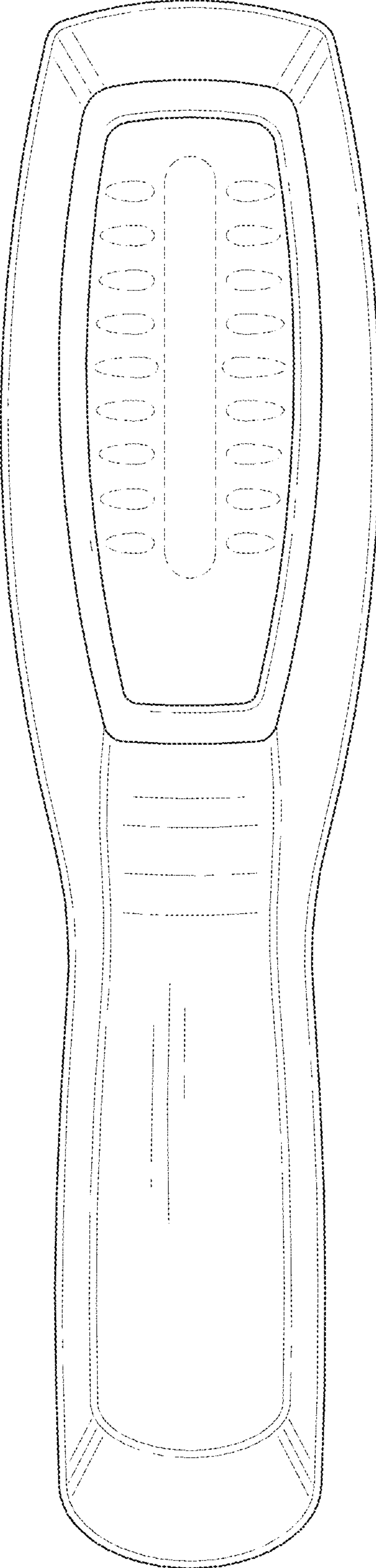
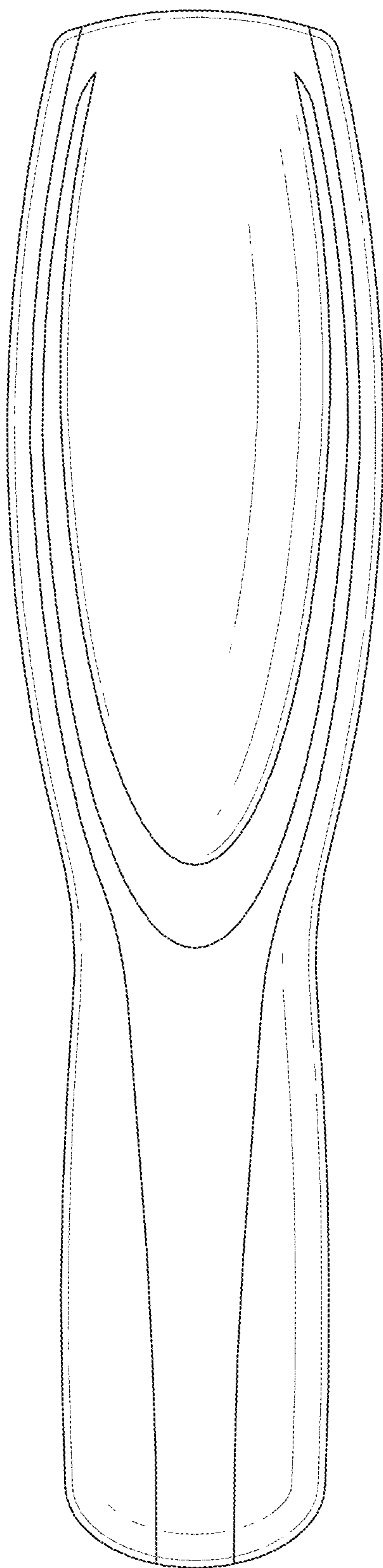


FIG. 2



*FIG. 3*

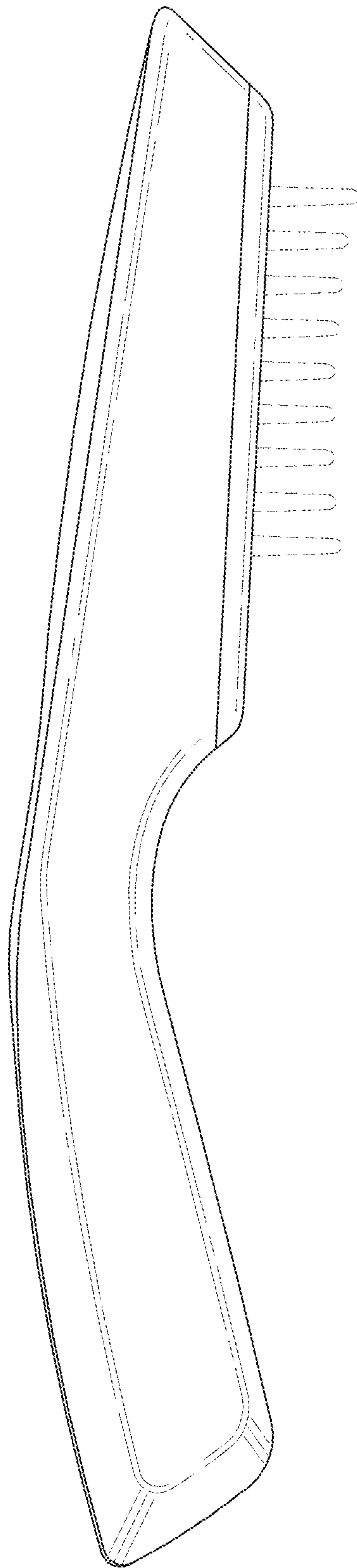


FIG. 4

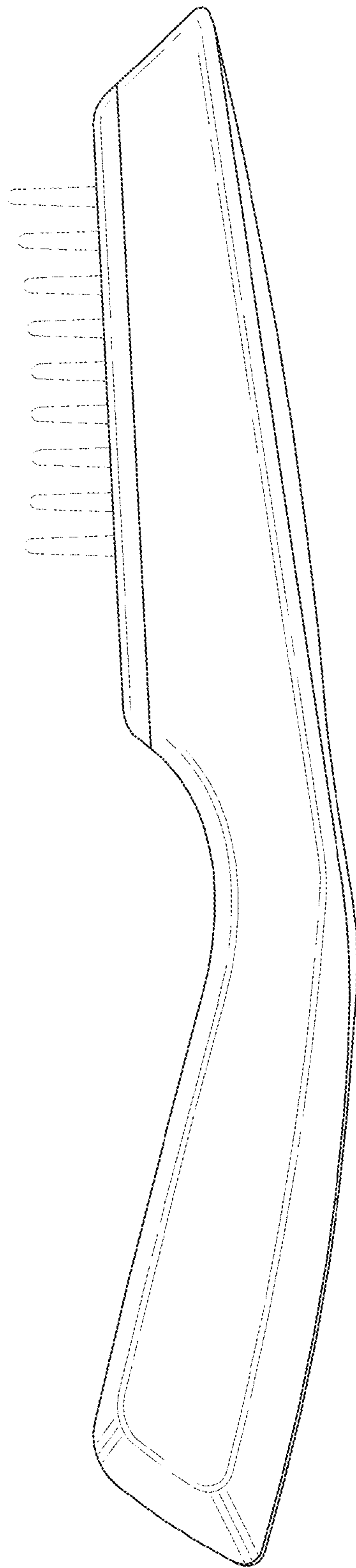
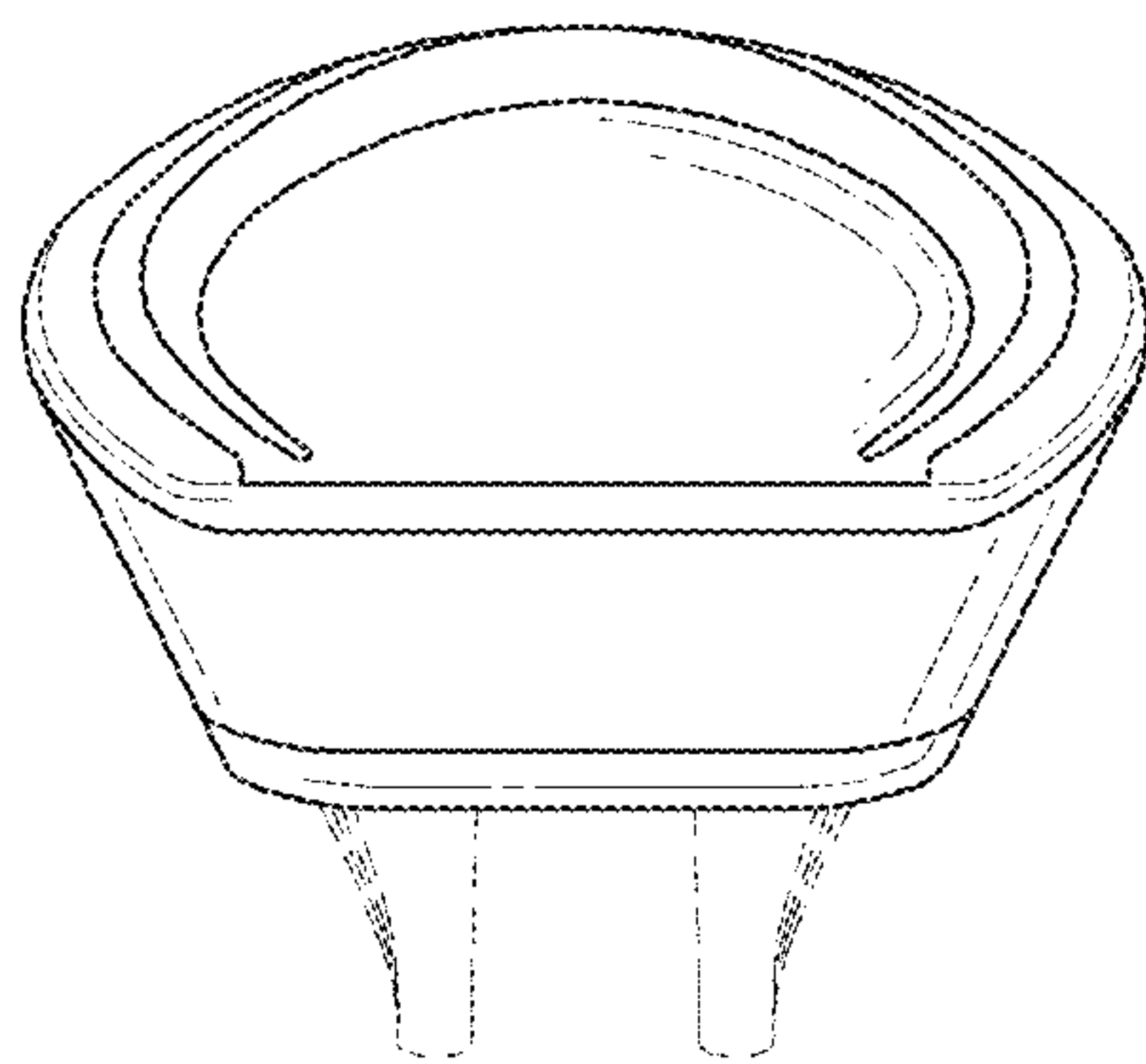
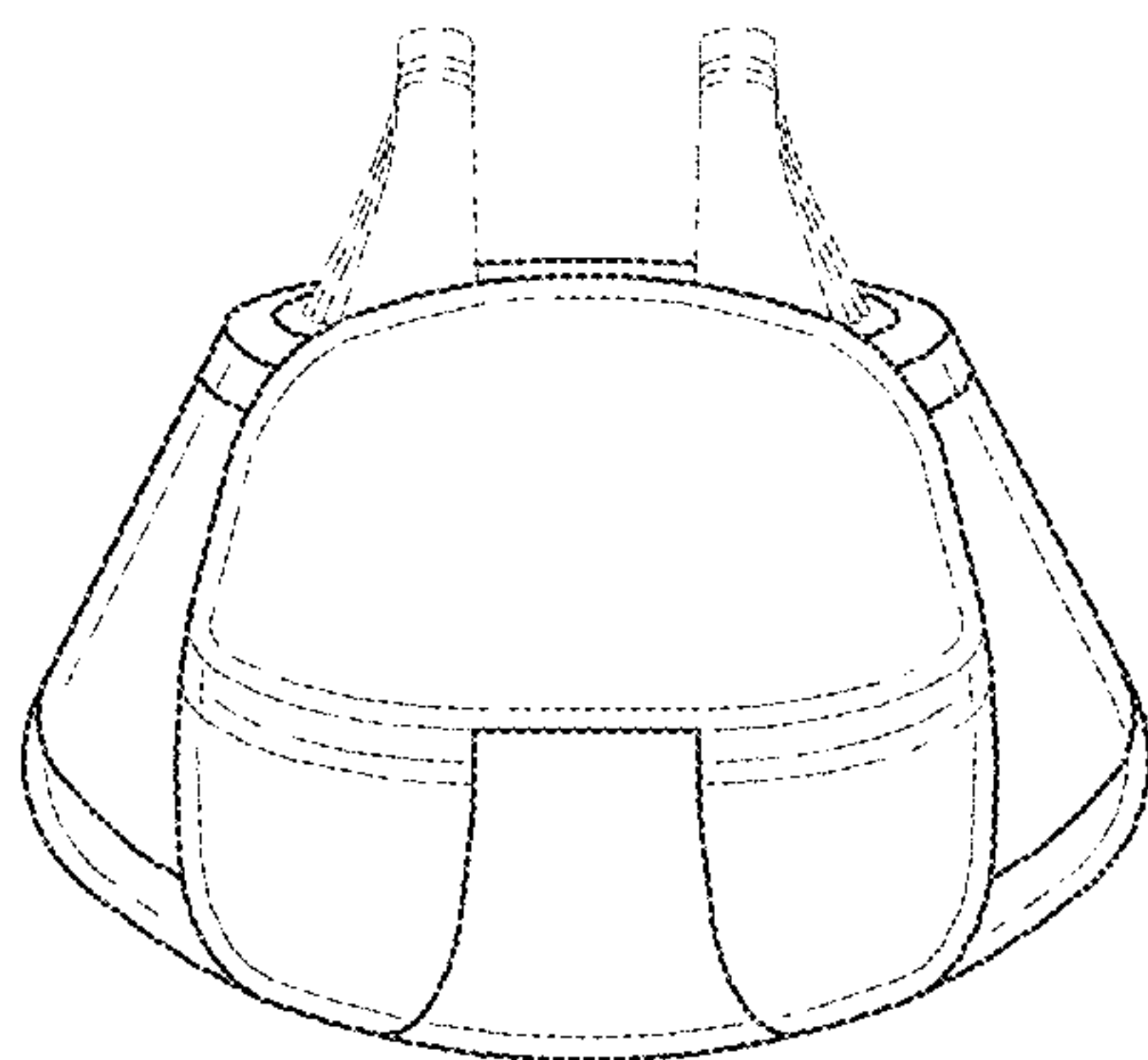


FIG. 5





*FIG. 6*



*FIG. 7*