



US00D716489S

(12) **United States Design Patent**
O’Leary et al.

(10) **Patent No.:** **US D716,489 S**

(45) **Date of Patent:** **** Oct. 28, 2014**

(54) **EDGELIT SUSPENDED LUMINAIRE**

(71) Applicants: **Marc Raymond O’Leary**, Aurora, CO
(US); **Valerica Grigore**, Longmont, CO
(US)

(72) Inventors: **Marc Raymond O’Leary**, Aurora, CO
(US); **Valerica Grigore**, Longmont, CO
(US)

(73) Assignee: **Cooper Technologies Company**,
Houston, TX (US)

(**) Term: **14 Years**

(21) Appl. No.: **29/452,830**

(22) Filed: **Apr. 22, 2013**

(51) **LOC (10) Cl.** **26-03**

(52) **U.S. Cl.**
USPC **D26/90**

(58) **Field of Classification Search**
CPC F21S 8/06; F21V 27/00; F21V 21/18
USPC D26/75, 76, 80, 81, 84, 88, 90, 91, 118,
D26/135; 362/147, 404-408
See application file for complete search history.

(56) **References Cited**

U.S. PATENT DOCUMENTS

D139,670 S * 12/1944 Lippincott D26/76
D153,837 S * 5/1949 Walsh D26/76
D155,779 S * 11/1949 Carstens D26/76
D185,410 S * 6/1959 Bodian et al. D26/76

D385,379 S * 10/1997 Tillotson D26/76
D580,087 S * 11/2008 Couture et al. D26/76
D584,444 S * 1/2009 Lipson D26/85
D599,051 S * 8/2009 Wu et al. D26/76
D643,142 S * 8/2011 Kocks D26/90
D645,194 S * 9/2011 Budike et al. D26/76
D663,882 S * 7/2012 Muraishi et al. D26/76
D669,209 S * 10/2012 Choi et al. D26/90
D669,625 S * 10/2012 Herremans D26/90

* cited by examiner

Primary Examiner — Clare E Heflin

(74) *Attorney, Agent, or Firm* — King & Spalding LLP

(57) **CLAIM**

The ornamental design for an edgelit suspended luminaire, as shown and described.

DESCRIPTION

FIG. 1 is a perspective view of an edgelit suspended luminaire, showing our new design;
FIG. 2 is a bottom plan view thereof;
FIG. 3 is a top plan view thereof;
FIG. 4 is a left-side elevation view thereof;
FIG. 5 is a right-side elevation view thereof;
FIG. 6 is a front elevation view thereof; and,
FIG. 7 is a rear elevation view thereof.

The broken lines shown represent unclaimed subject matter and form no part of the claimed design. The curved broken lines shown passing through the design indicate the design is not limited to a single length and these lines represent unclaimed subject matter and form no part of the claimed design.

1 Claim, 5 Drawing Sheets

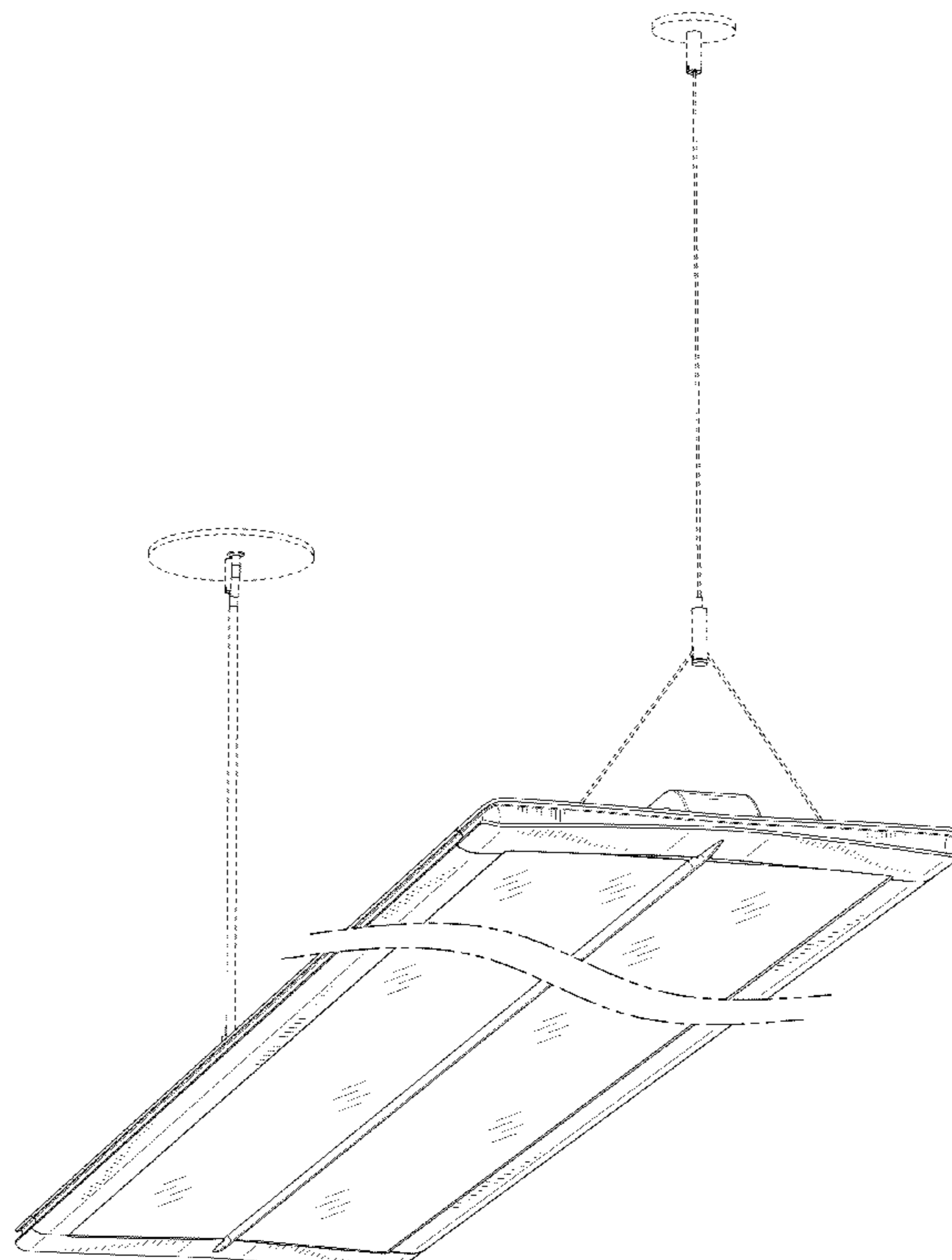


FIG. 1

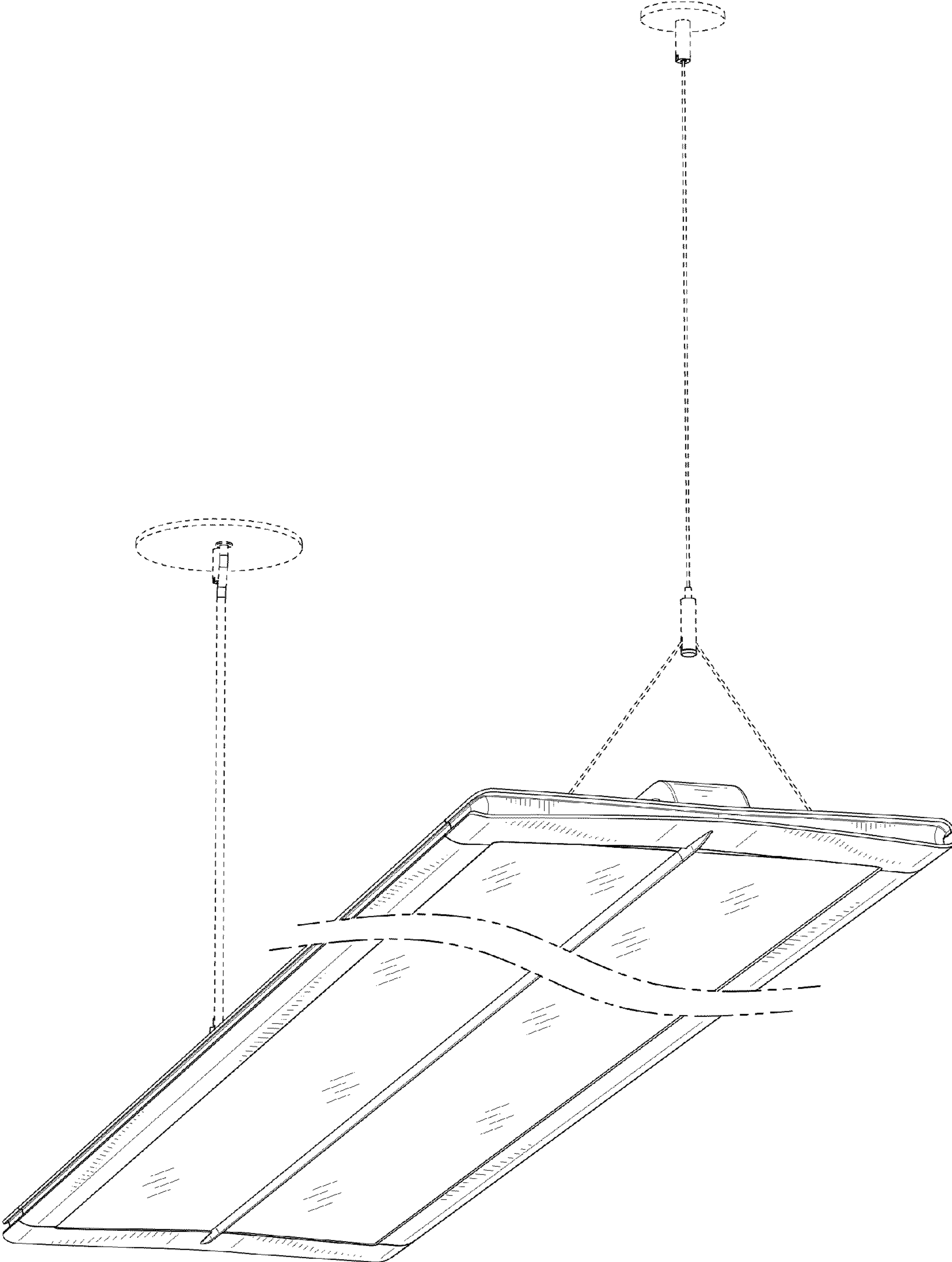


FIG. 2

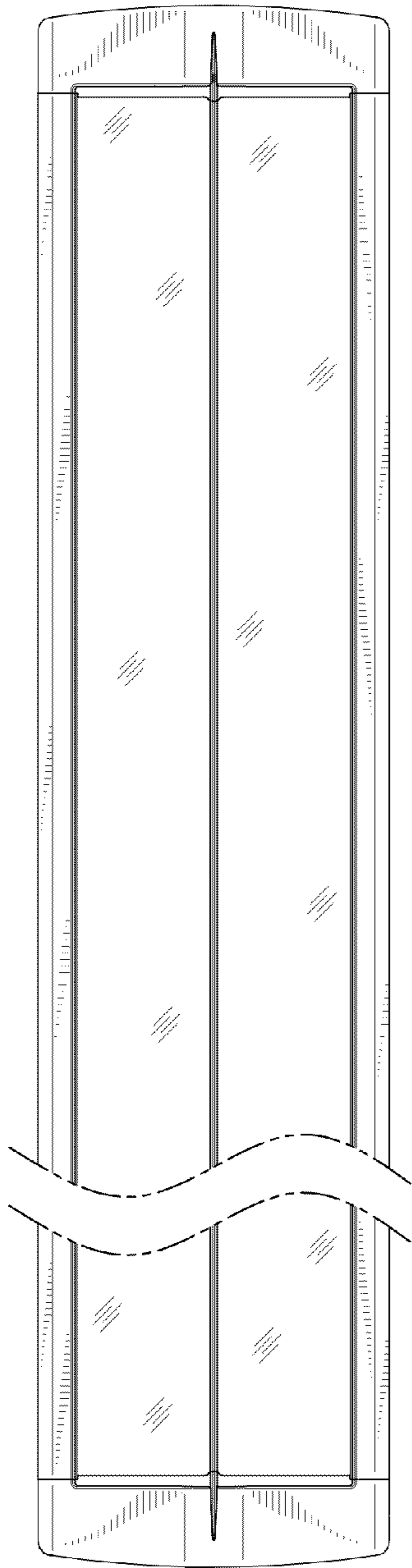


FIG. 3

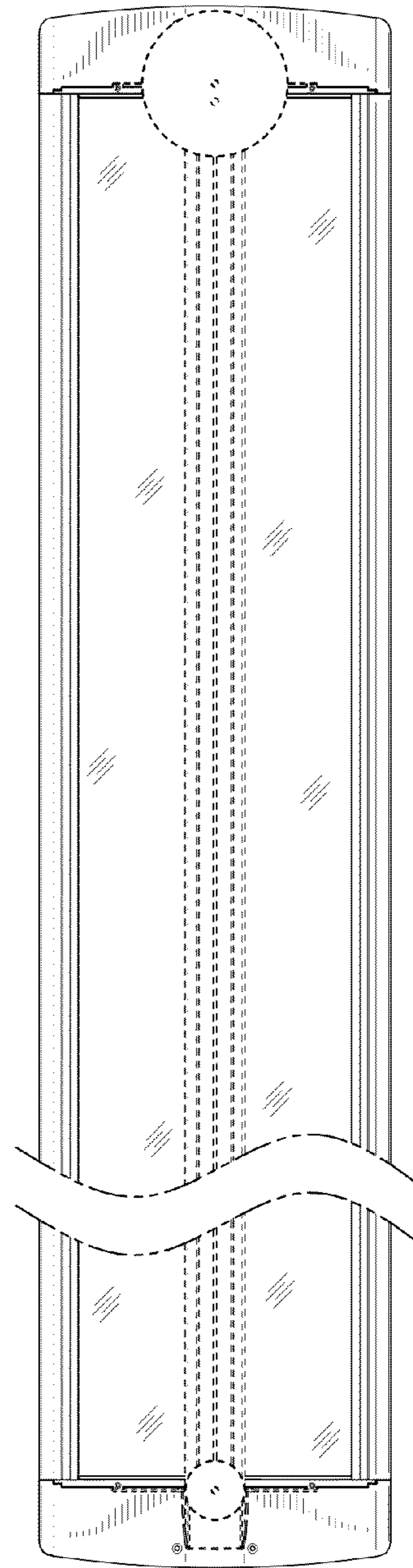


FIG. 4

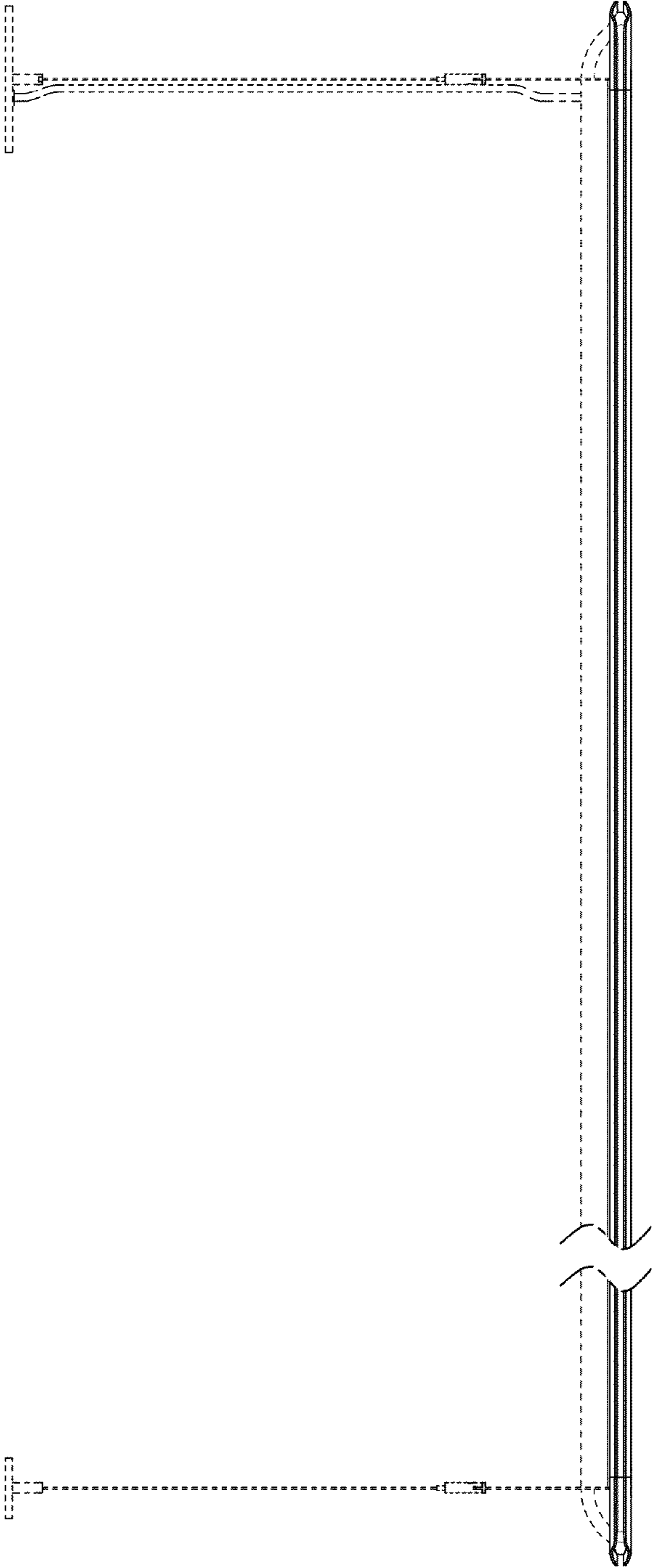


FIG. 5

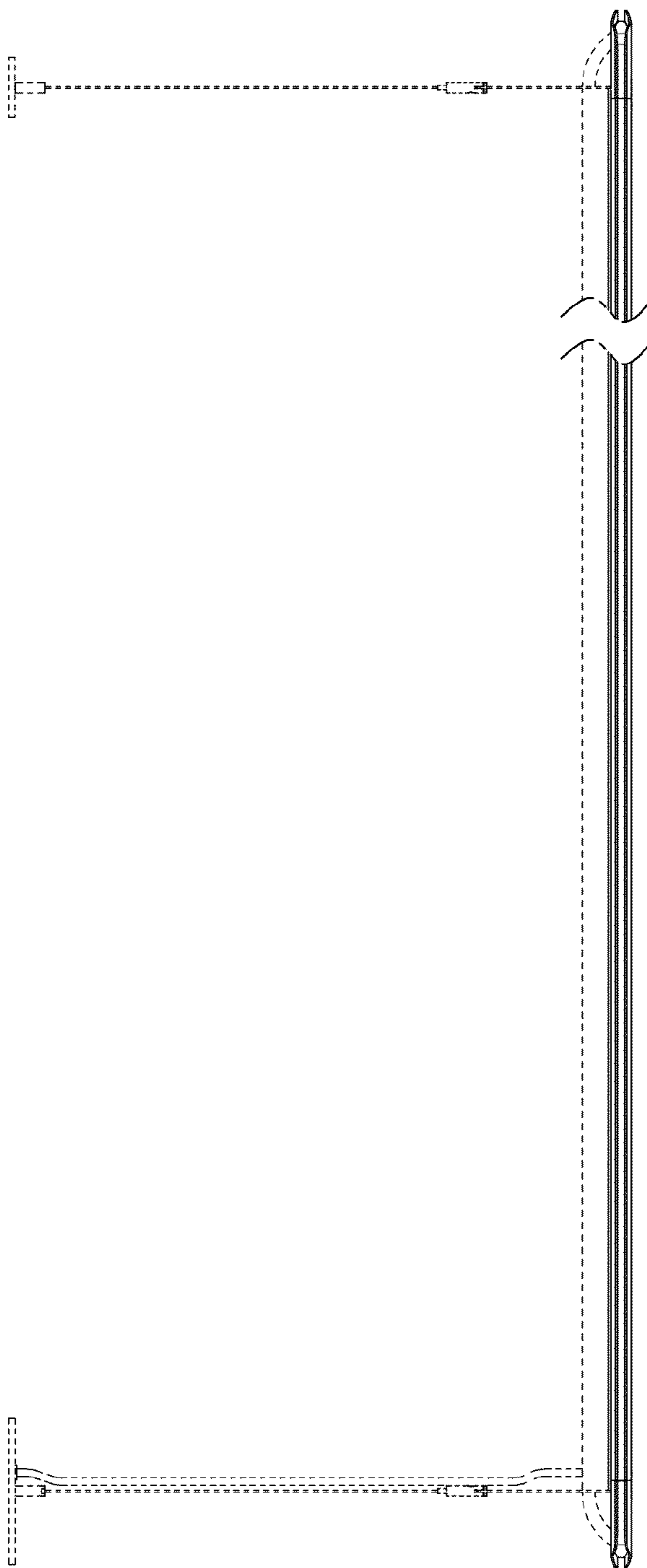


FIG. 7

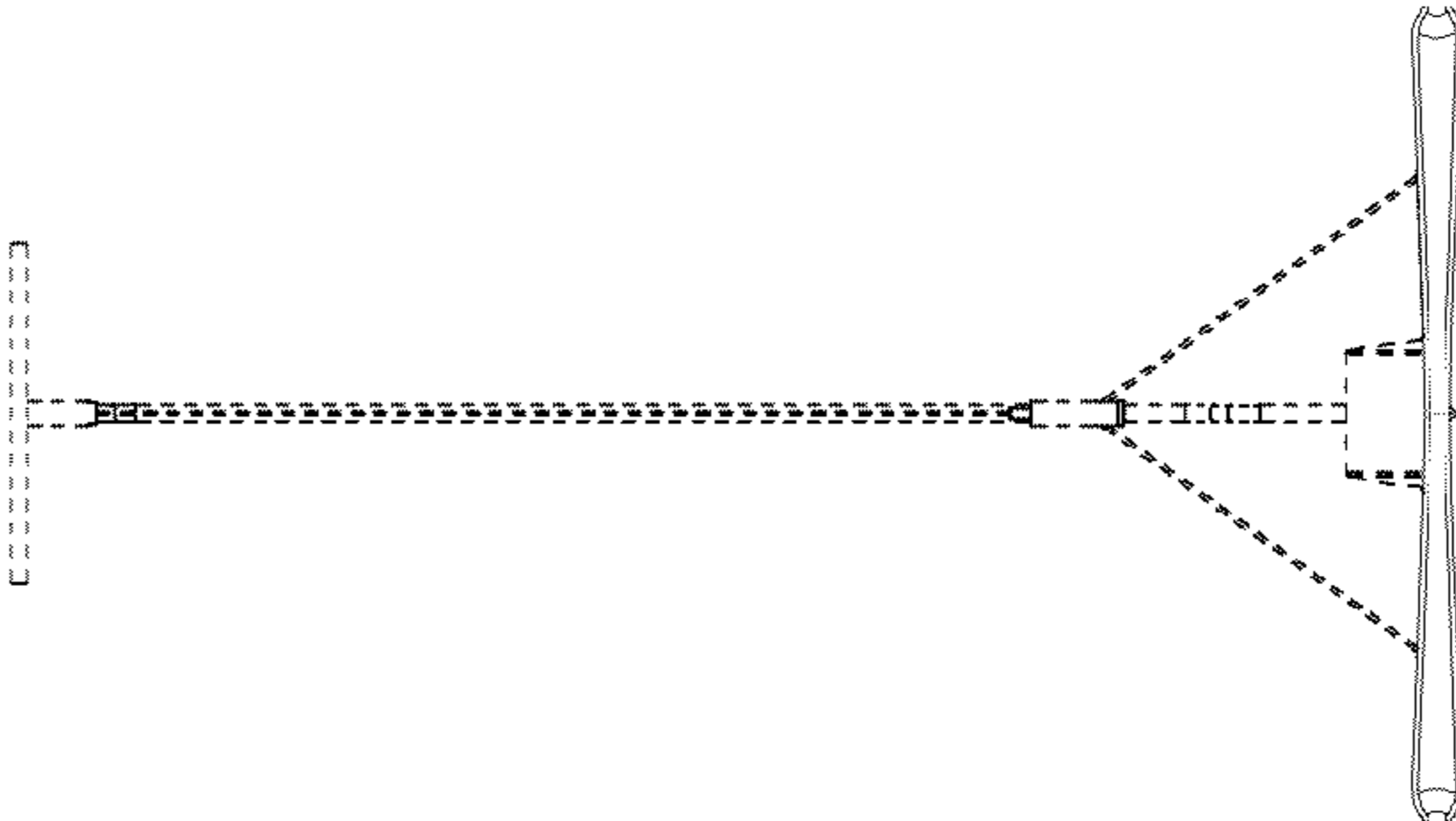


FIG. 6

