



US00D716485S

(12) **United States Design Patent**
McGowan

(10) **Patent No.:** **US D716,485 S**

(45) **Date of Patent:** **** *Oct. 28, 2014**

(54) **LIGHT BAR**

(71) Applicant: **Triplet Music Products, Inc.**, Ottawa (CA)

(72) Inventor: **John G. McGowan**, Ottawa (CA)

(73) Assignee: **Triplet Music Products Inc.**, Ottawa, Ontario (CA)

(*) Notice: This patent is subject to a terminal disclaimer.

(**) Term: **14 Years**

(21) Appl. No.: **29/472,680**

(22) Filed: **Nov. 14, 2013**

(51) **LOC (10) Cl.** **26-03**

(52) **U.S. Cl.**
USPC **D26/76; D26/56**

(58) **Field of Classification Search**
CPC F21S 4/00; F21S 8/00; F21W 2131/3005;
F21W 2131/304; F21W 2131/308; F21W
2131/405

USPC D26/51, 56, 72, 75-78, 80, 92, 118;
362/98, 147, 217.01, 218, 219, 222,
362/223, 260, 294, 373
See application file for complete search history.

(56) **References Cited**

U.S. PATENT DOCUMENTS

1,673,595 A * 6/1928 Scoggins 362/98
1,847,051 A * 2/1932 Zabach 362/98

(Continued)

FOREIGN PATENT DOCUMENTS

EP 1371897 12/2003
FR 2424004 11/1979
WO 95/33624 12/1995

OTHER PUBLICATIONS

Abileah, A. "Backlight-Unit Basics." Information Display: Guest Editorial. vol. 28, No. 4, Apr. 2012, pp. 6, 48 (2 pages).

(Continued)

Primary Examiner — Clare E Heflin

(74) *Attorney, Agent, or Firm* — Nixon Peabody LLP

(57) **CLAIM**

I claim the ornamental design for a "light bar," as shown and described.

DESCRIPTION

FIG. 1 is a perspective view of a light bar attached to a music stand.

FIG. 2 is a top perspective view of the light bar shown in FIG. 1.

FIG. 3 is a left side view of the light bar shown in FIG. 2.

FIG. 4 is a front side view of the light bar shown in FIG. 2.

FIG. 5 is a bottom side view of the light bar shown in FIG. 2.

FIG. 6 is a rear side view of the light bar shown in FIG. 2.

FIG. 7 is a right side view of the light bar shown in FIG. 2; and,

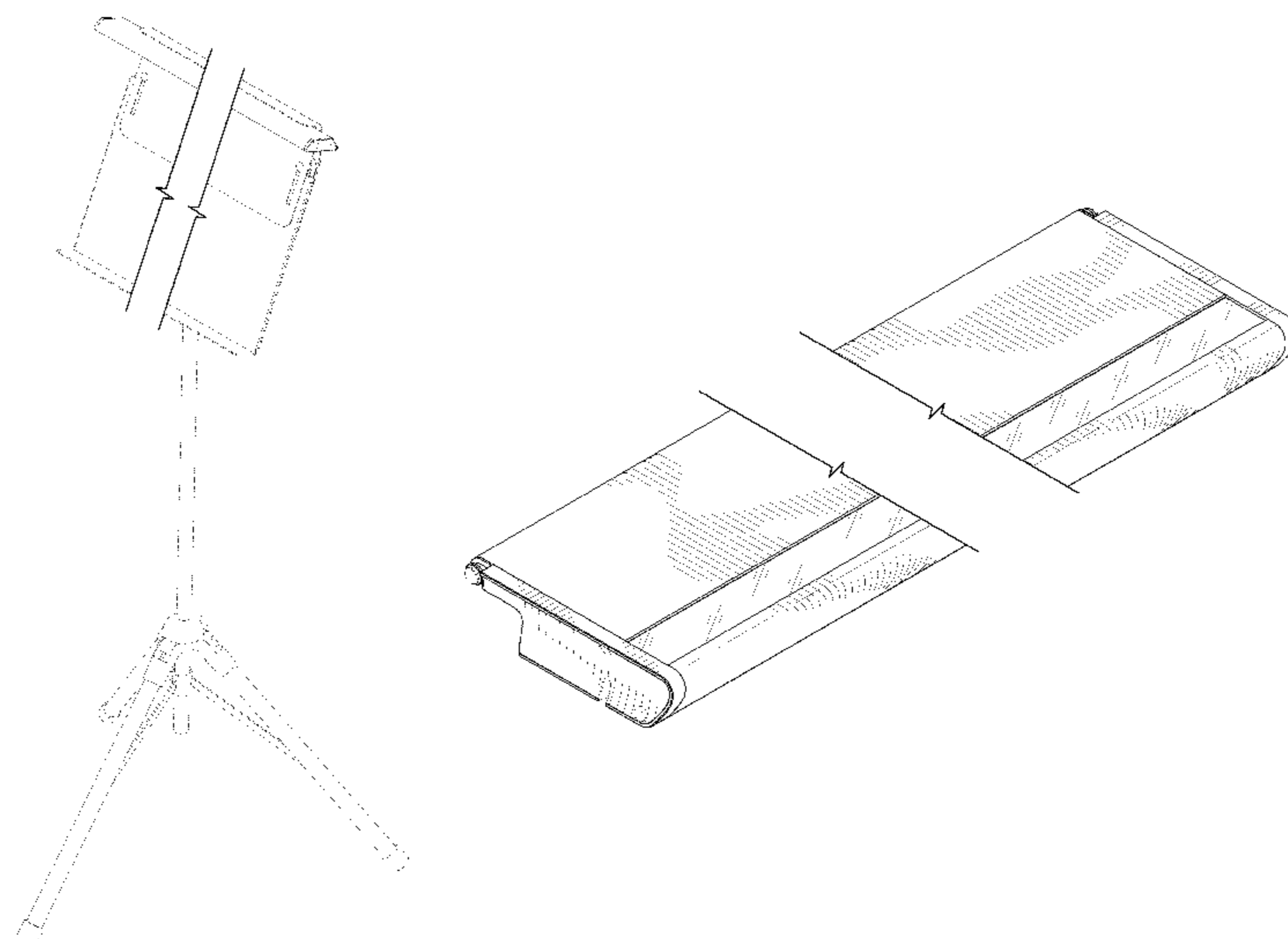
FIG. 8 is a top side view of the light bar shown in FIG. 2.

The broken lines shown in dashed form are only for illustrative purposes to show visible environmental structure and form no part of the claimed design.

The music stand shown in broken lines in FIG. 1 is included for illustrative purposes only and forms no part of the claimed design.

The break lines do not exist in reality in the light bar embodying the design and are only for illustrative purposes to show bounds of the claimed design. It is understood that the claimed design extends to the break lines but does not include the break lines. The appearance of any portion of the light bar between the break lines forms no part of the claimed design.

1 Claim, 4 Drawing Sheets



(56)

References Cited

U.S. PATENT DOCUMENTS

D125,468 S * 2/1941 Dreyfuss D26/75
 D146,982 S * 6/1947 Phillips D26/51
 3,079,491 A 2/1963 Janssen
 D231,942 S * 6/1974 Cincotta et al. D26/75
 3,885,145 A 5/1975 Wise
 4,153,927 A 5/1979 Owens
 D260,187 S * 8/1981 Andersson D26/85
 4,290,093 A 9/1981 Thompson et al.
 4,323,955 A * 4/1982 Mark 362/223
 D278,555 S * 4/1985 Cummings D26/75
 4,680,681 A 7/1987 Fisherman et al.
 D304,507 S * 11/1989 Evenson D26/76
 D311,596 S * 10/1990 Herst et al. D26/85
 D318,534 S * 7/1991 Deursen et al. D26/76
 D330,090 S * 10/1992 Walter et al. D26/51
 D338,980 S * 8/1993 Dieperink D26/87
 5,381,310 A 1/1995 Brotz
 5,649,759 A * 7/1997 Korte 362/222
 5,658,067 A * 8/1997 Engle et al. 362/222
 D415,304 S * 10/1999 Brown D26/87
 6,088,941 A 7/2000 Inbar et al.
 6,280,052 B1 8/2001 White
 D452,340 S * 12/2001 Pickett et al. D26/76
 6,520,643 B1 2/2003 Holman et al.
 D472,007 S * 3/2003 Weitgasser D26/76
 6,558,014 B2 5/2003 Just et al.
 D496,750 S * 9/2004 Waldmann D26/78
 6,830,356 B2 12/2004 Larocque
 6,951,403 B2 10/2005 Bennett, Jr.
 6,954,260 B2 10/2005 Arnold et al.

D512,526 S * 12/2005 Zucker D26/76
 7,001,060 B1 2/2006 Kimura
 D545,476 S * 6/2007 Friedman D26/76
 7,261,435 B2 8/2007 Gould et al.
 7,360,916 B2 * 4/2008 Sanborn et al. 362/223
 D581,079 S * 11/2008 Mier-Langner D26/72
 D602,189 S * 10/2009 Zambelli et al. D26/76
 7,611,260 B1 11/2009 Lin et al.
 D608,043 S * 1/2010 Ko D26/76
 7,695,180 B2 4/2010 Schardt et al.
 2003/0103351 A1 6/2003 Privas et al.
 2008/0030983 A1 * 2/2008 Pickett et al. 362/222
 2008/0204888 A1 8/2008 Kan et al.
 2011/0116265 A1 5/2011 Salm
 2012/0176786 A1 7/2012 Presley et al.

OTHER PUBLICATIONS

Lee, H-W. et al. "Improvement of Illumination Uniformity for LED Flat Panel Light by Using Micro-Secondary Lens Array." Optics Express. vol. 20, No. Suppl. 6, Nov. 5, 2012, pp. A788-A798 (11 pages).
 "The World is Our Stage." Manhasset Specialty Company: Product Brochure [online], [retrieved on Nov. 13, 2013] Oct. 5, 2011. Retrieved from the Internet: <URL: <http://www.manhasset-specialty.com/pdfs/ManhassetCatalog-HighRes.pdf>> (8 pages).
 "Triplet Light Quick Reference Guide." Triplet Music Inc. [online], [retrieved on Nov. 13, 2013] Feb. 21, 2013. Retrieved from the Internet: <URL: https://www.tripletlight.com/sites/default/files/uploads/user-manual/tripletlight_instructions_july23.2013.pdf> (4 pages).

* cited by examiner

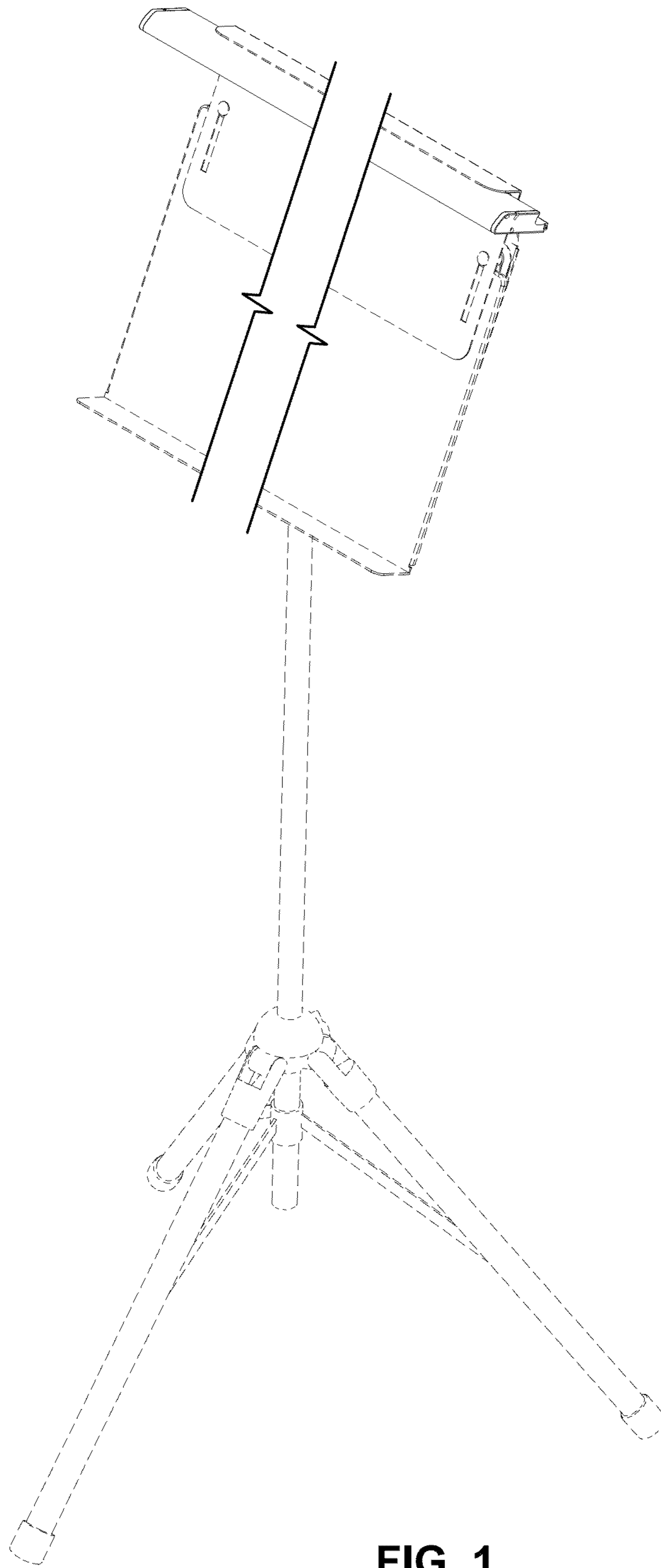


FIG. 1

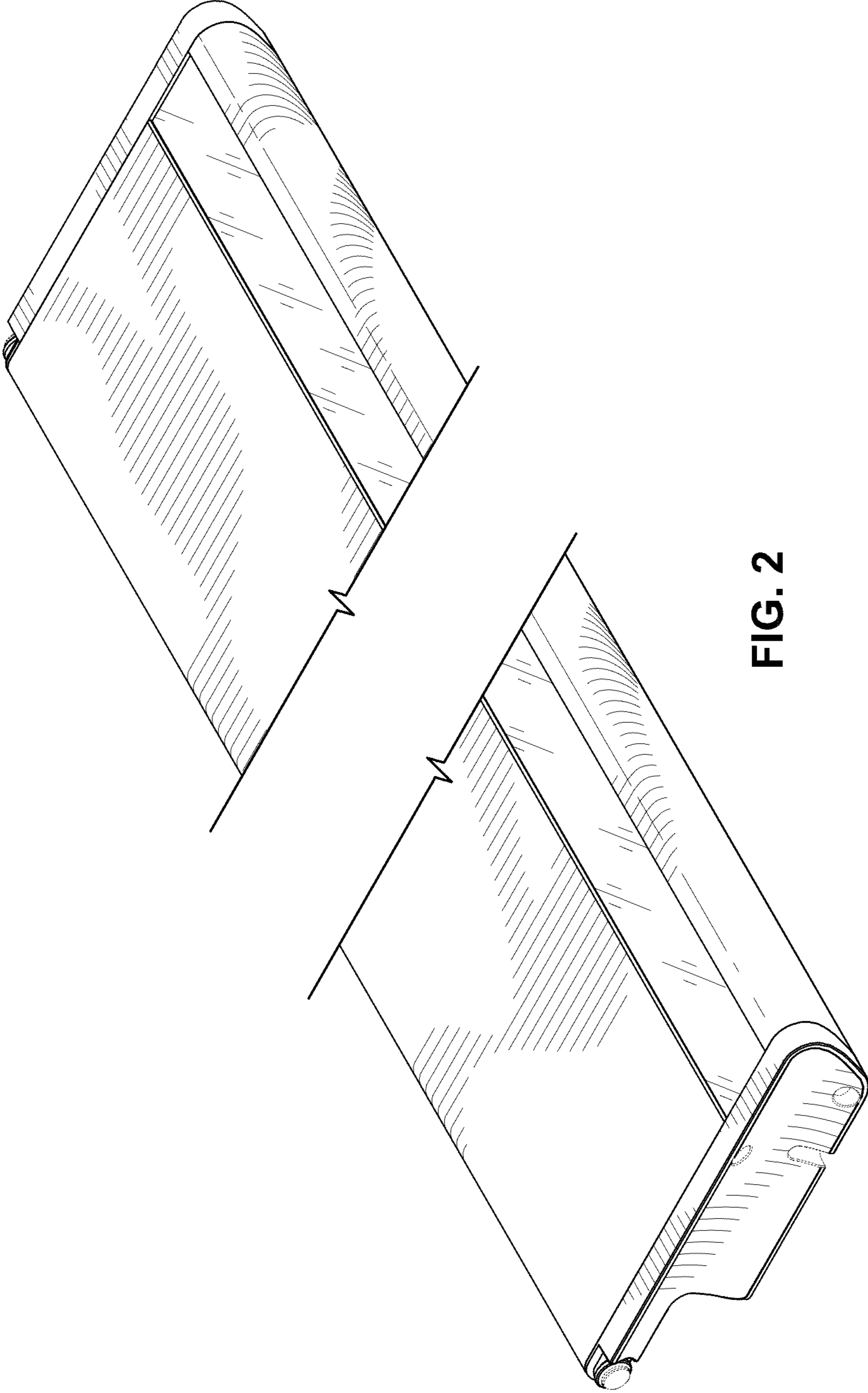


FIG. 2

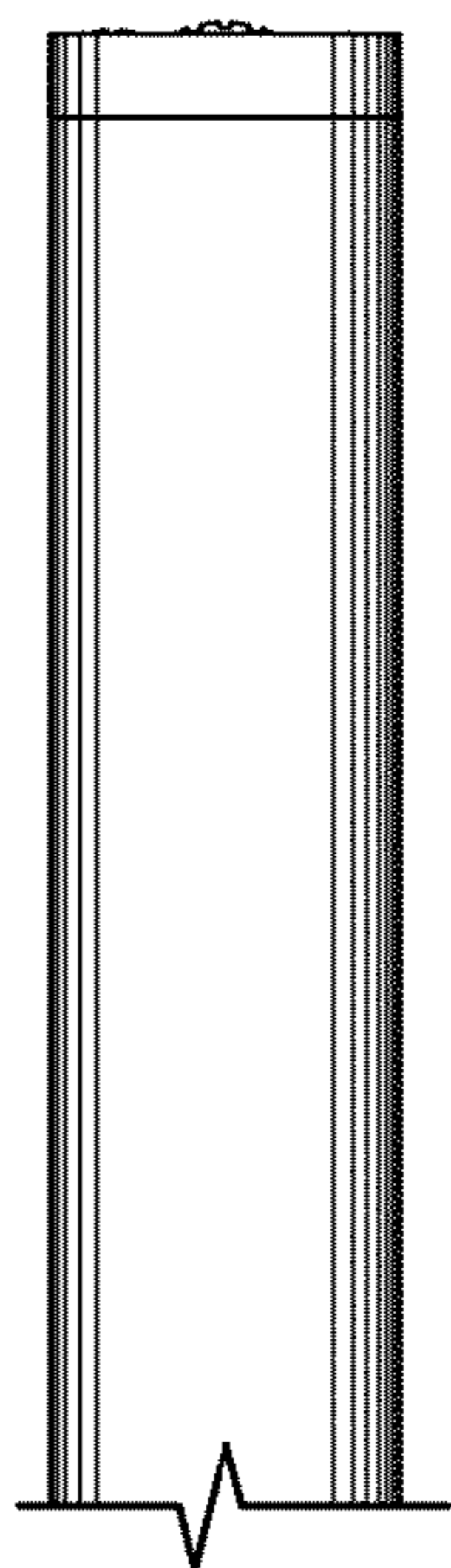


FIG. 4

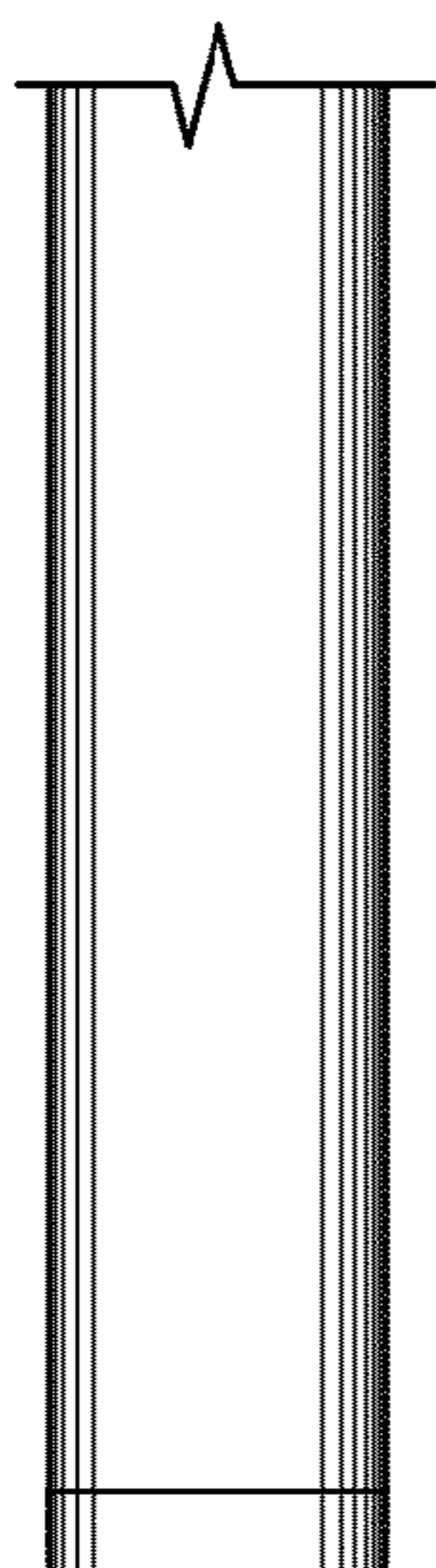


FIG. 3

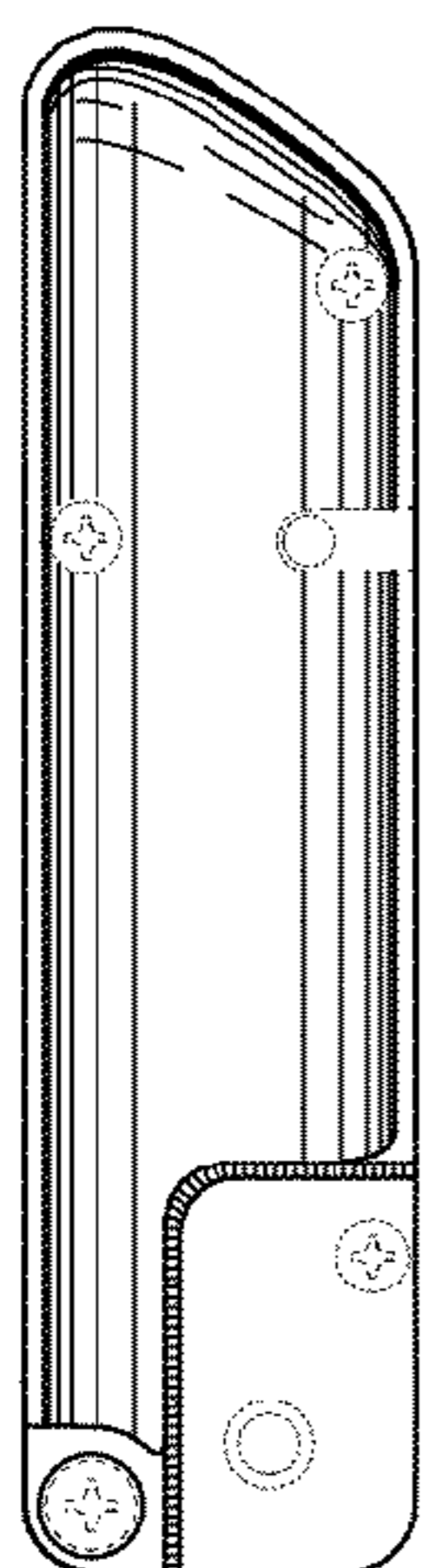
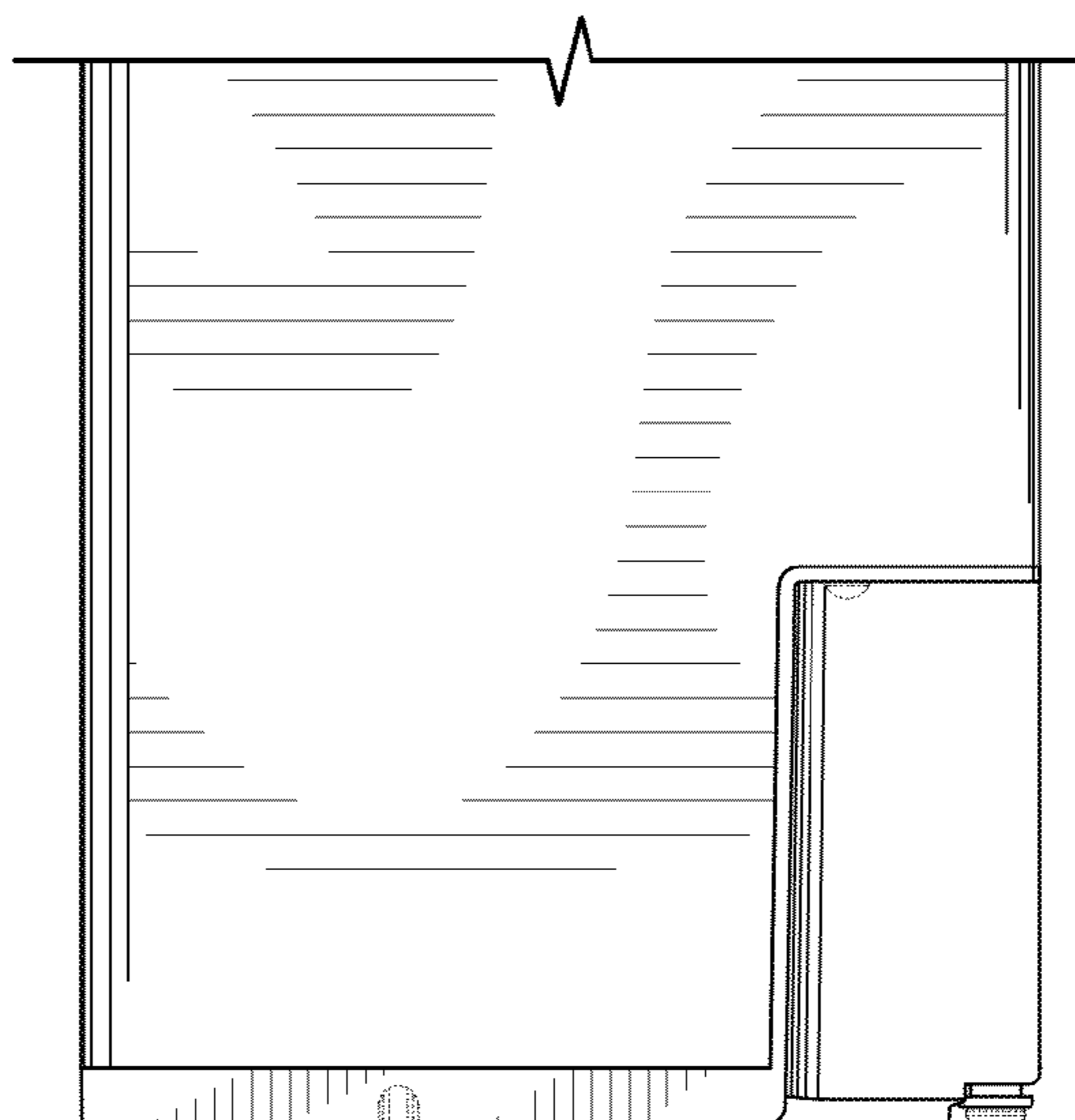
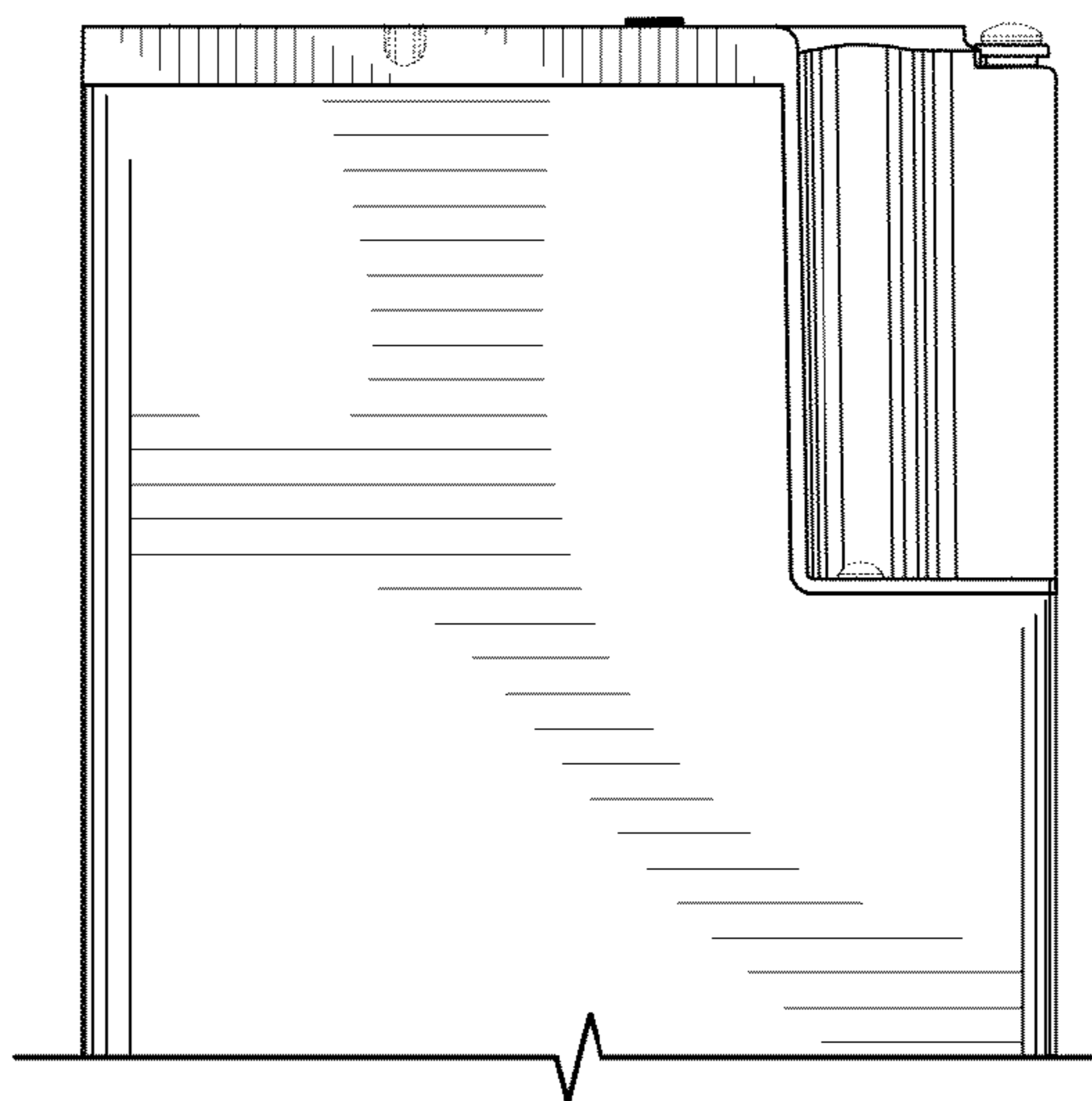


FIG. 5



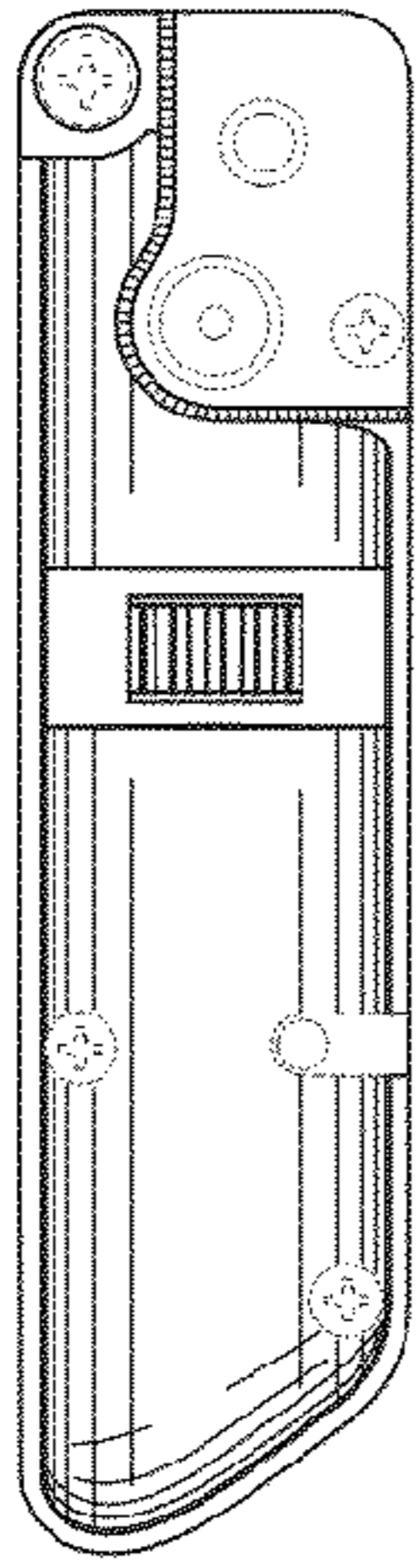


FIG. 7

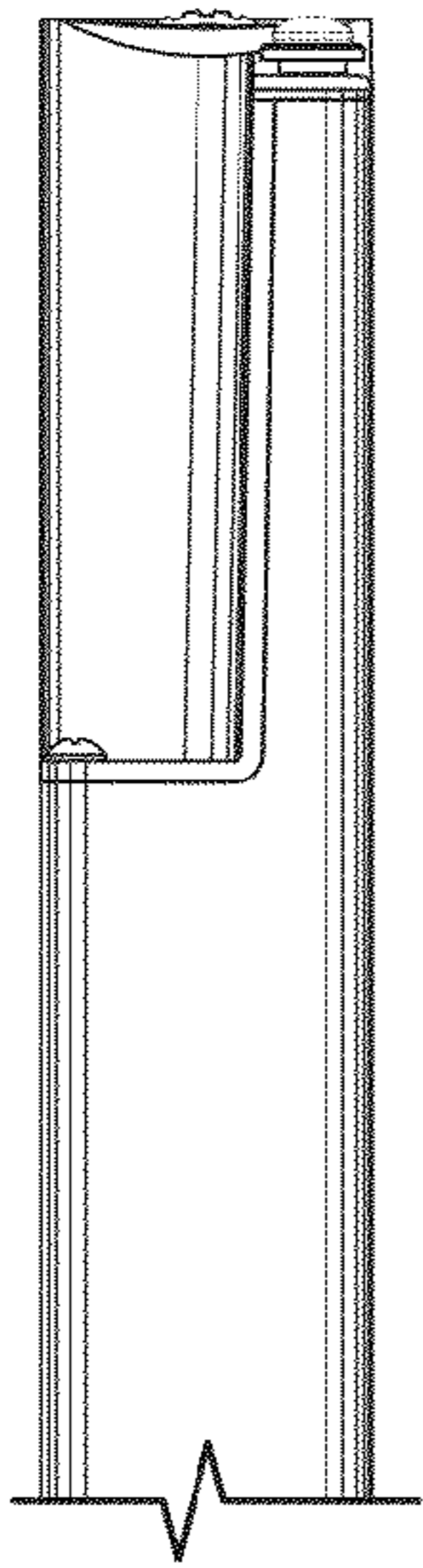


FIG. 6

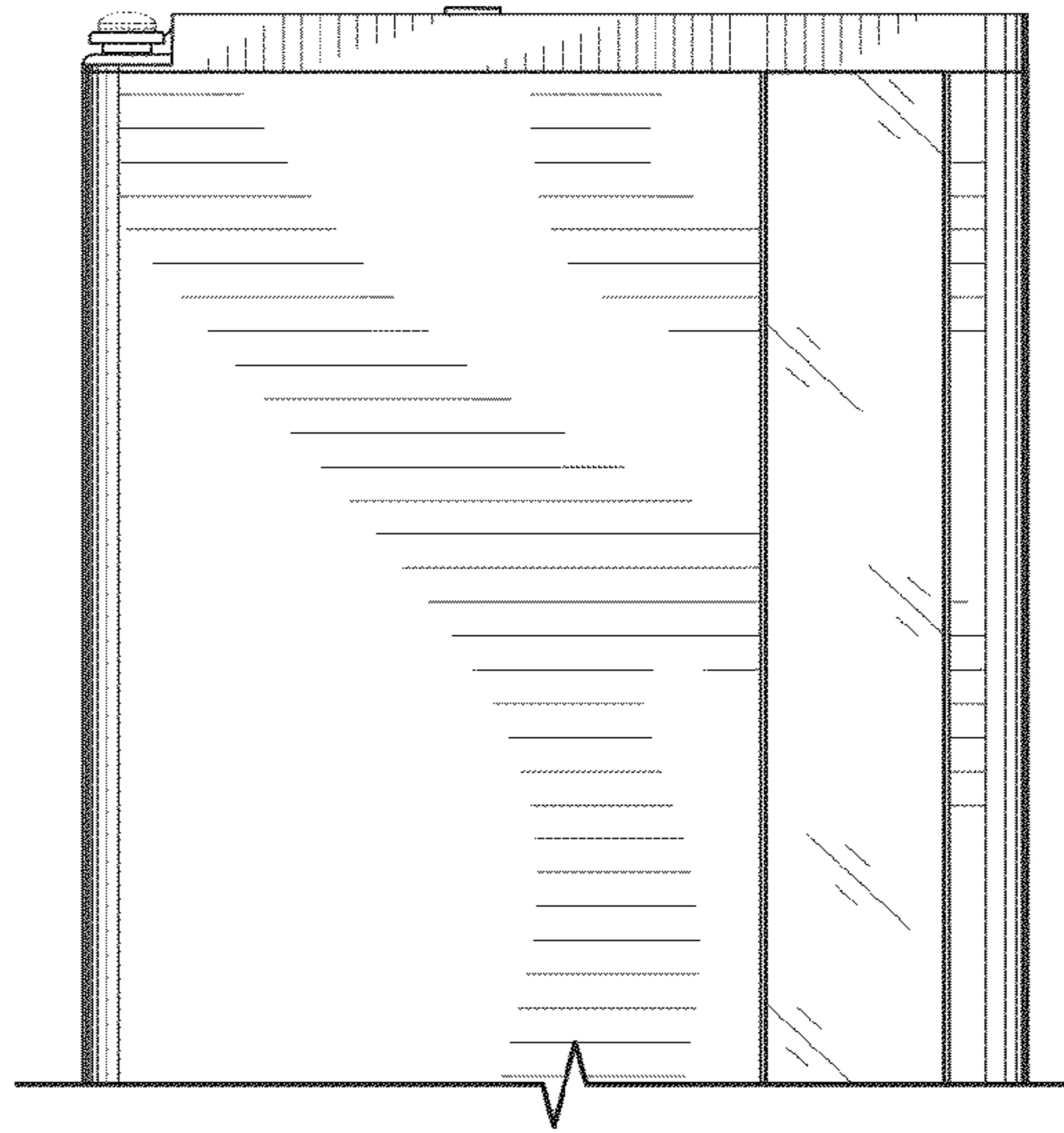
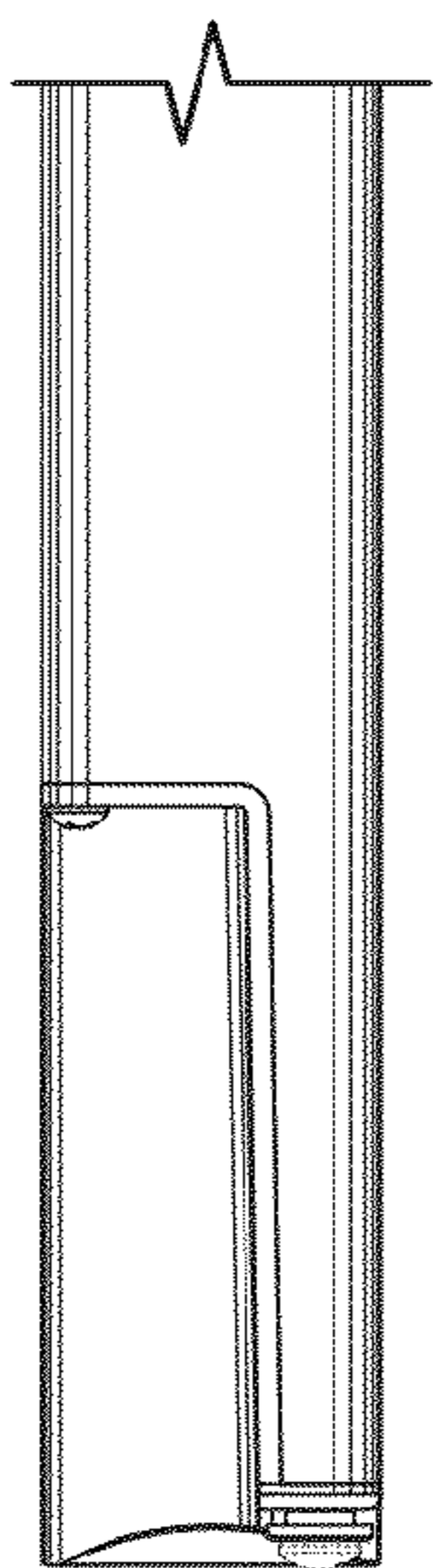


FIG. 8

