



US00D716483S

(12) **United States Design Patent**
Sabernig

(10) **Patent No.:** **US D716,483 S**

(45) **Date of Patent:** **** Oct. 28, 2014**

(54) **LIGHT FIXTURE**

(71) Applicant: **EGLO Leuchten GmbH**, Pill (AT)

(72) Inventor: **Robert Sabernig**, Munster (AT)

(73) Assignee: **EGLO Leuchten GmbH** (AT)

(**) Term: **14 Years**

(21) Appl. No.: **29/448,829**

(22) Filed: **Mar. 14, 2013**

(51) **LOC (10) Cl.** **26-05**

(52) **U.S. Cl.**
USPC **D26/63; D26/83**

(58) **Field of Classification Search**
CPC F21V 21/02; F21V 21/14; F21V 21/30;
F21S 8/00; F21S 8/02; F21S 8/03; F21S 8/04
USPC D26/61-66, 80-86, 88-91, 118, 128,
D26/137; 362/147, 404-408, 431, 432, 269,
362/427, 648

See application file for complete search history.

(56) **References Cited**

U.S. PATENT DOCUMENTS

D377,693	S	*	1/1997	Lecluze	D26/63
D448,508	S	*	9/2001	Benghozi	D26/63
D611,639	S	*	3/2010	Sabernig	D26/63
D628,330	S	*	11/2010	Sabernig	D26/63
D645,187	S	*	9/2011	Sabernig	D26/65
D655,845	S	*	3/2012	Sabernig	D26/63

* cited by examiner

Primary Examiner — Brian N Vinson

(74) *Attorney, Agent, or Firm* — Baker & McKenzie LLP

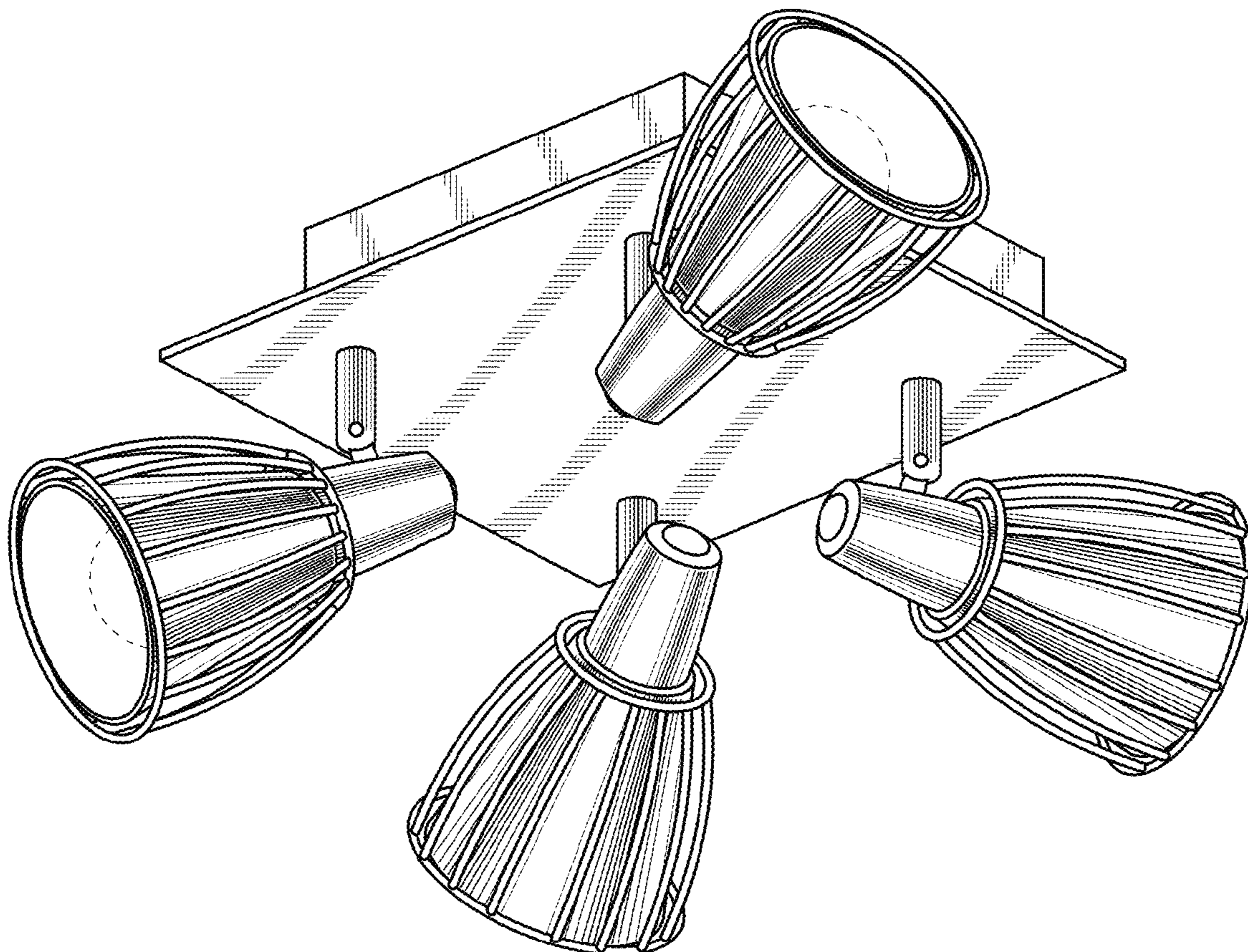
(57) **CLAIM**

The ornamental design for a light fixture, as shown and described.

DESCRIPTION

FIG. 1 is a perspective view of a light fixture in accordance with my design;
FIG. 2 is a front elevation view of the light fixture in accordance with my design, the remaining elevation views being identical thereto; and,
FIG. 3 is a bottom plan view of the light fixture in accordance with my design.
The fragmentary broken-line disclosure of lightbulbs in the disclosure forms no part of the claimed design.

1 Claim, 2 Drawing Sheets



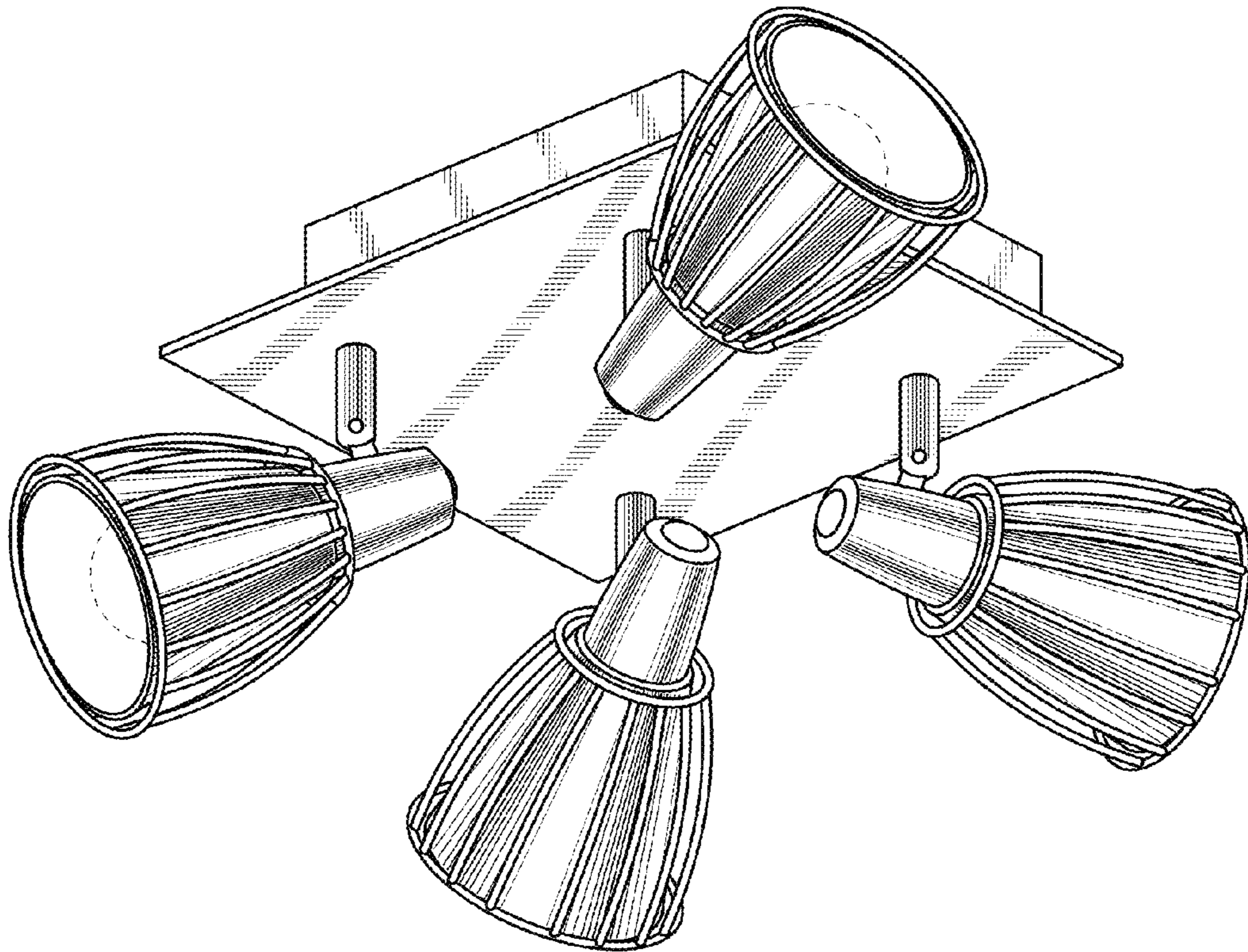


Fig.1

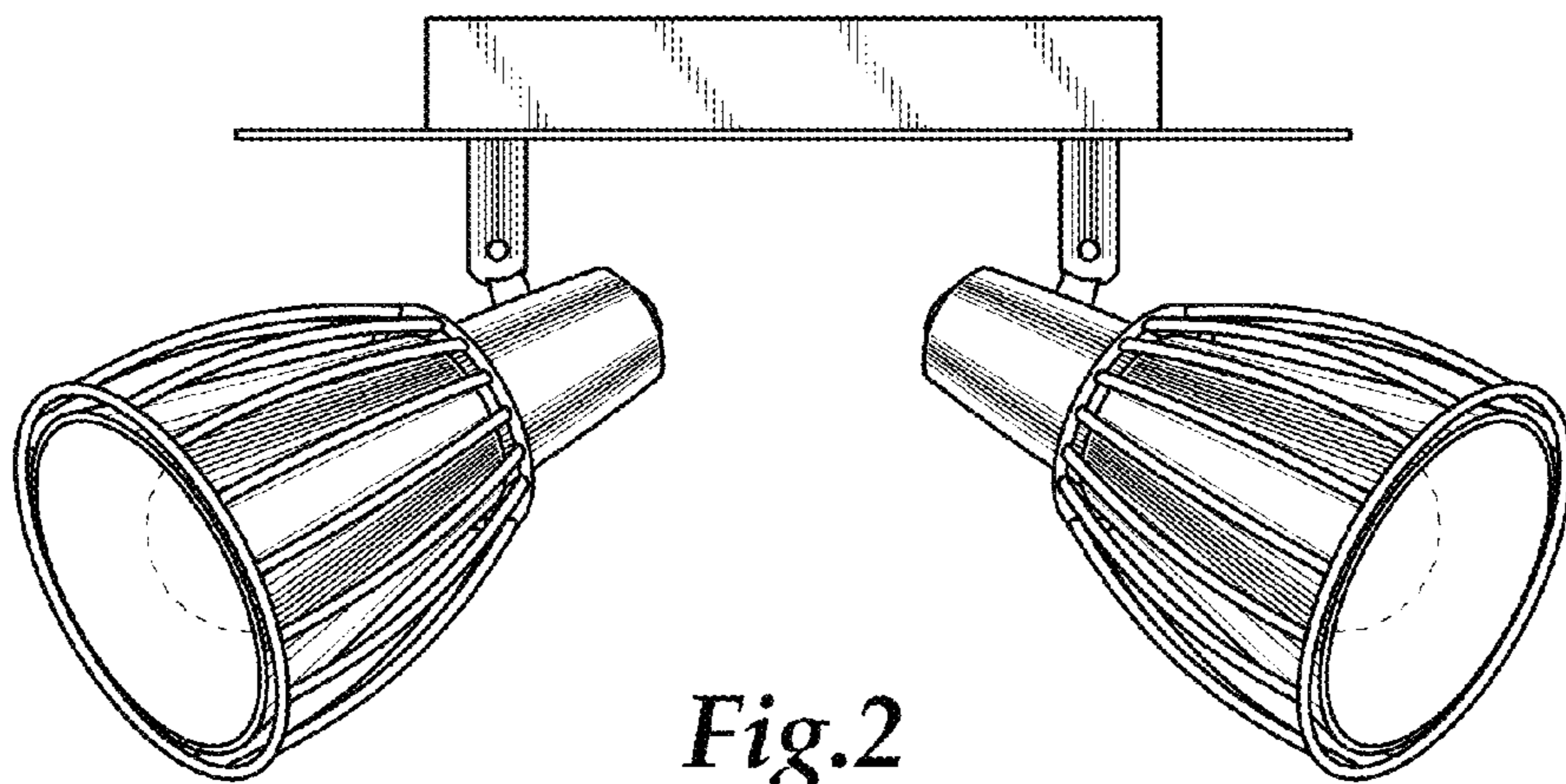


Fig.2

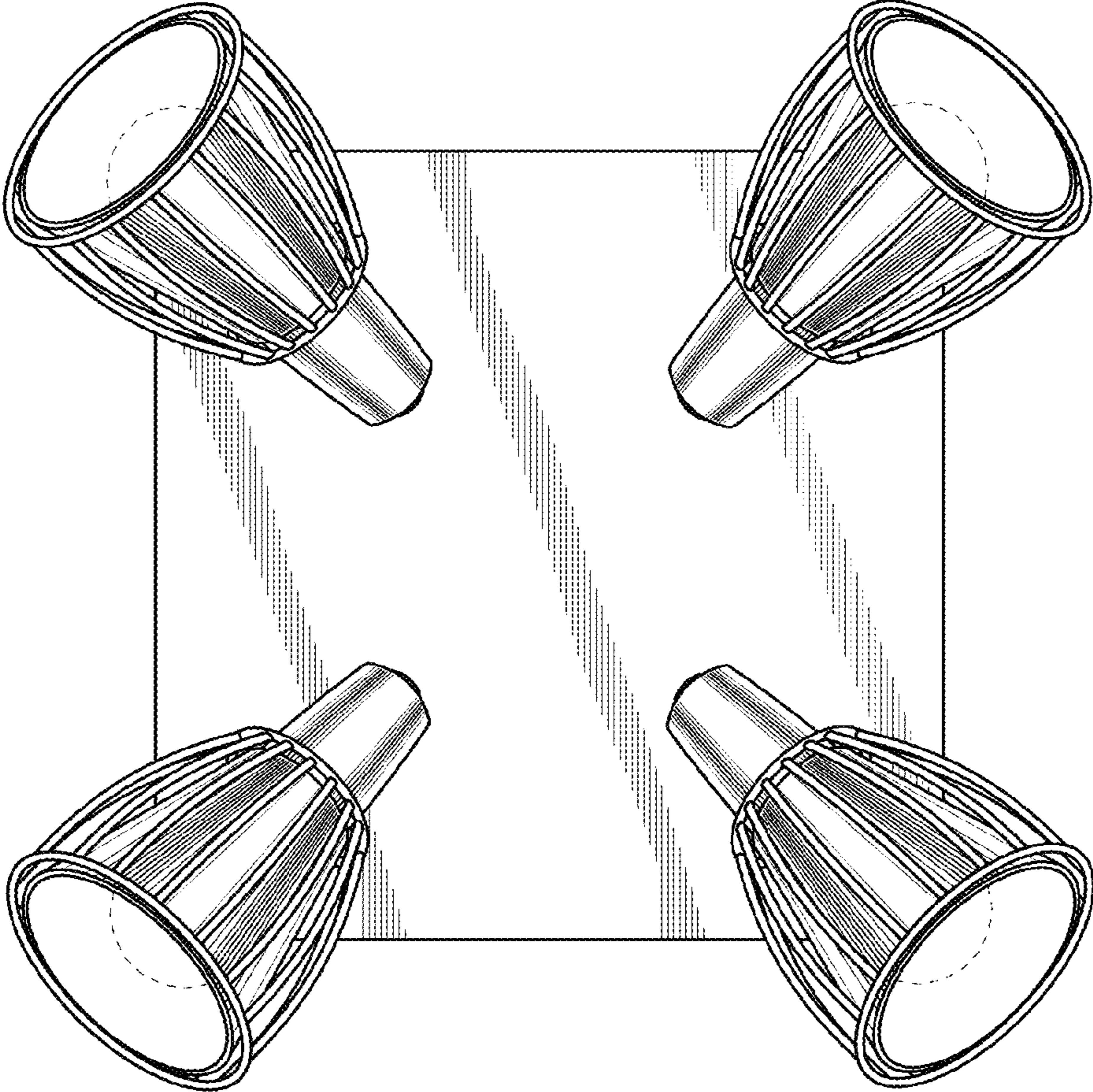


Fig.3