



US00D716481S

(12) **United States Design Patent**  
**Jacobs et al.**

(10) **Patent No.:** **US D716,481 S**  
(45) **Date of Patent:** **\*\* Oct. 28, 2014**

(54) **RAILROADERS LANTERN**  
(75) Inventors: **Christopher D. Jacobs**, Honeoye Falls, NY (US); **Tracy L. Andrew**, Livonia, NY (US); **Stephen T. Vukosic**, West Henrietta, NY (US); **R. Michael Datz**, Rochester, NY (US)

2,529,910 A \* 11/1950 Broshears ..... 362/185  
2,599,419 A \* 6/1952 Stark ..... 362/185  
2,773,662 A \* 12/1956 Rose ..... 246/488  
D429,832 S 8/2000 Poon  
D434,163 S 11/2000 Lee  
D445,520 S \* 7/2001 Kaufman, Jr. .... D26/41  
D479,890 S 9/2003 Jacobs  
D514,719 S 2/2006 Krieger et al.  
D568,511 S 5/2008 Datz et al.

(73) Assignee: **Star Headlight & Lantern Co., Inc.**, Avon, NY (US)

**OTHER PUBLICATIONS**

AG Design & Associated, Inc., Flashing Blue & Red Safety Lanterns, Printout from web site at www.trainmanlantern.com, Feb. 8, 2002.

(\*\*) Term: **14 Years**

\* cited by examiner

(21) Appl. No.: **29/411,683**

*Primary Examiner* — Ian Simmons

(22) Filed: **Jan. 25, 2012**

*Assistant Examiner* — Carissa C Fitts

(51) **LOC (10) Cl.** ..... **26-02**

(74) *Attorney, Agent, or Firm* — Kenneth J. Lukacher Law Group

(52) **U.S. Cl.**

USPC ..... **D26/41**

(58) **Field of Classification Search**

USPC ..... D26/37, 40, 41, 42, 44, 46, 49, 61, 75;  
362/157, 158, 184, 194–196, 197,  
362/202–208, 171–174

(57) **CLAIM**

The ornamental design for a railroaders lantern, as shown and described.

See application file for complete search history.

**DESCRIPTION**

(56) **References Cited**

**U.S. PATENT DOCUMENTS**

1,410,671 A \* 3/1922 Genesy ..... 362/185  
1,464,855 A \* 8/1923 Sloan ..... 362/185  
1,530,206 A \* 3/1925 Saager ..... 362/186  
2,118,656 A \* 5/1938 Putt ..... 362/185  
2,486,725 A \* 11/1949 Wolfenden ..... 362/185  
2,528,416 A \* 10/1950 Botensten ..... 362/99

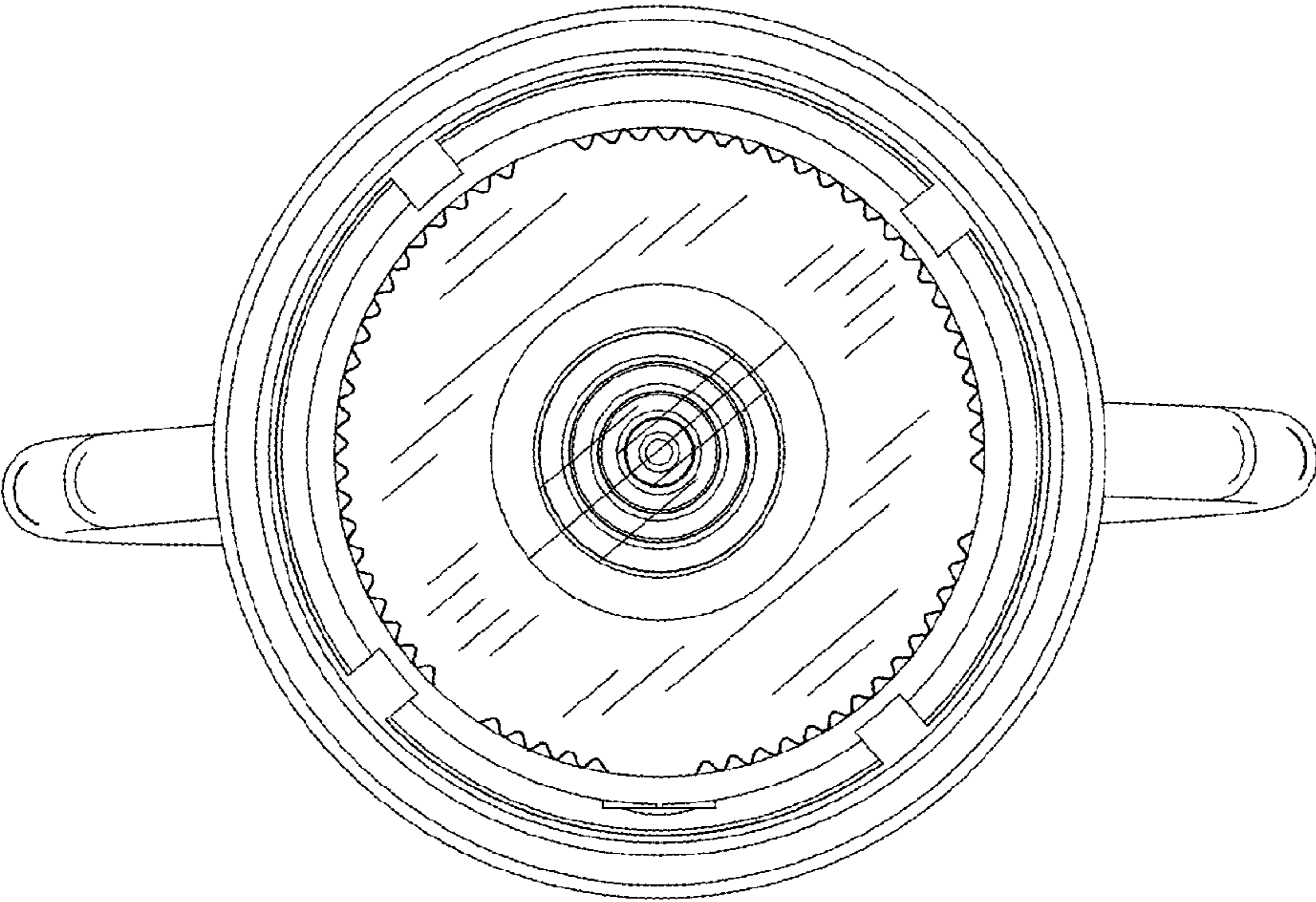
FIG. 1 is a perspective view taken from the left side thereof of a railroaders lantern embodying our invention;  
FIG. 2 is a bottom view thereof;  
FIG. 3 is a front elevational view thereof;  
FIG. 4 is a top view thereof;  
FIG. 5 is a rear elevational view thereof; and,  
FIG. 6 is a perspective view taken from the front thereof.

**1 Claim, 6 Drawing Sheets**

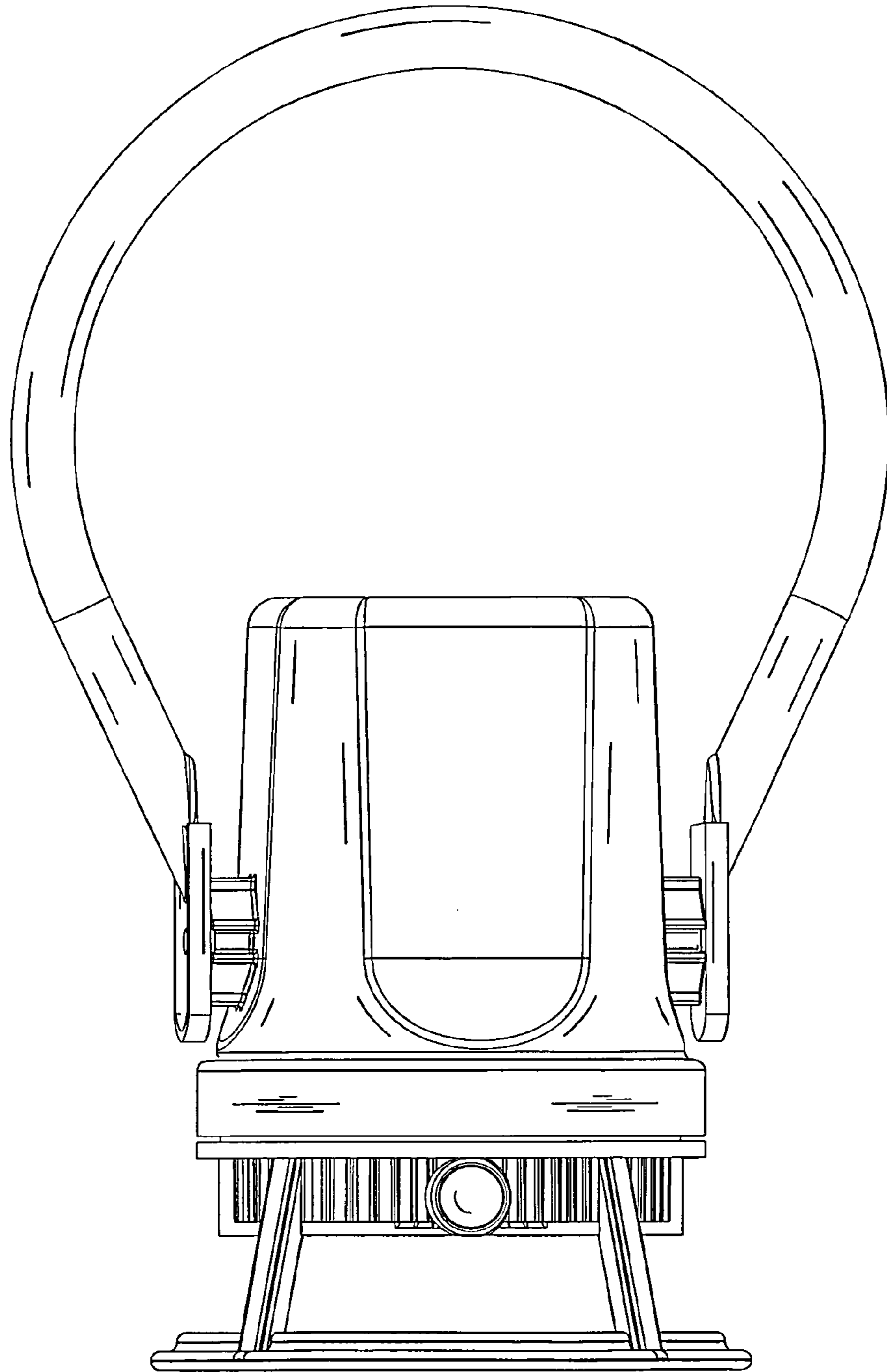




FIG. 1



**FIG. 2**



**FIG. 3**

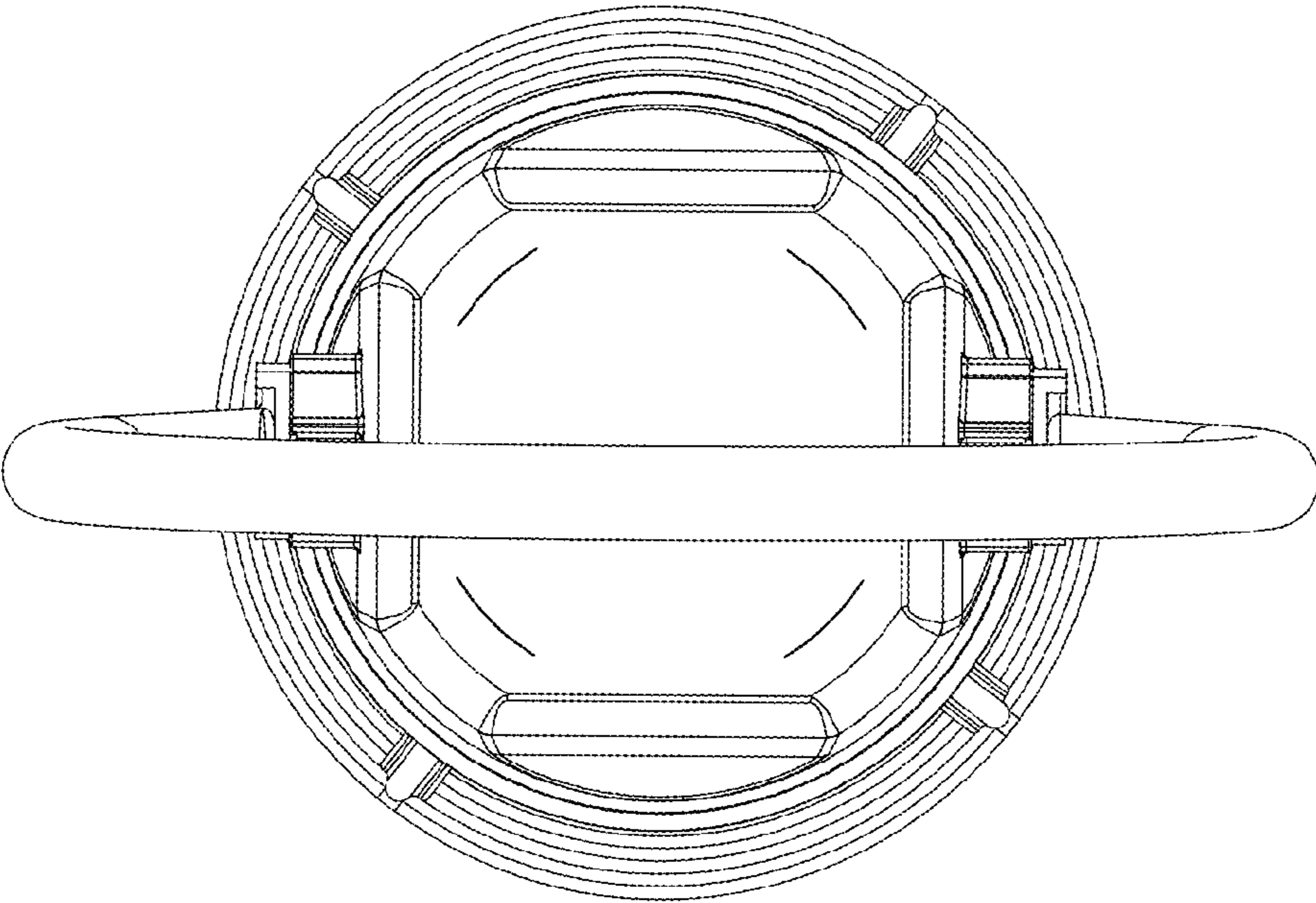
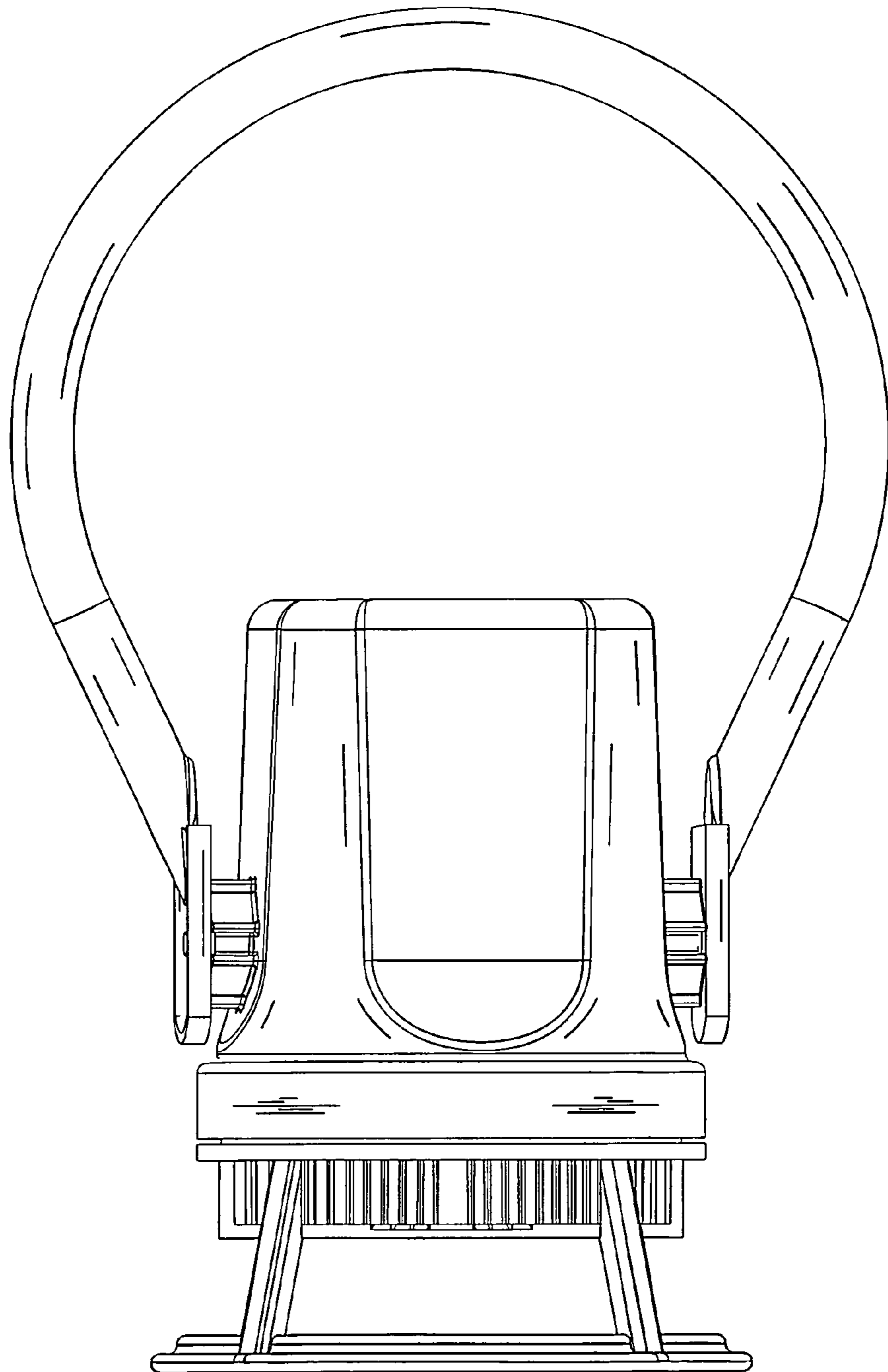
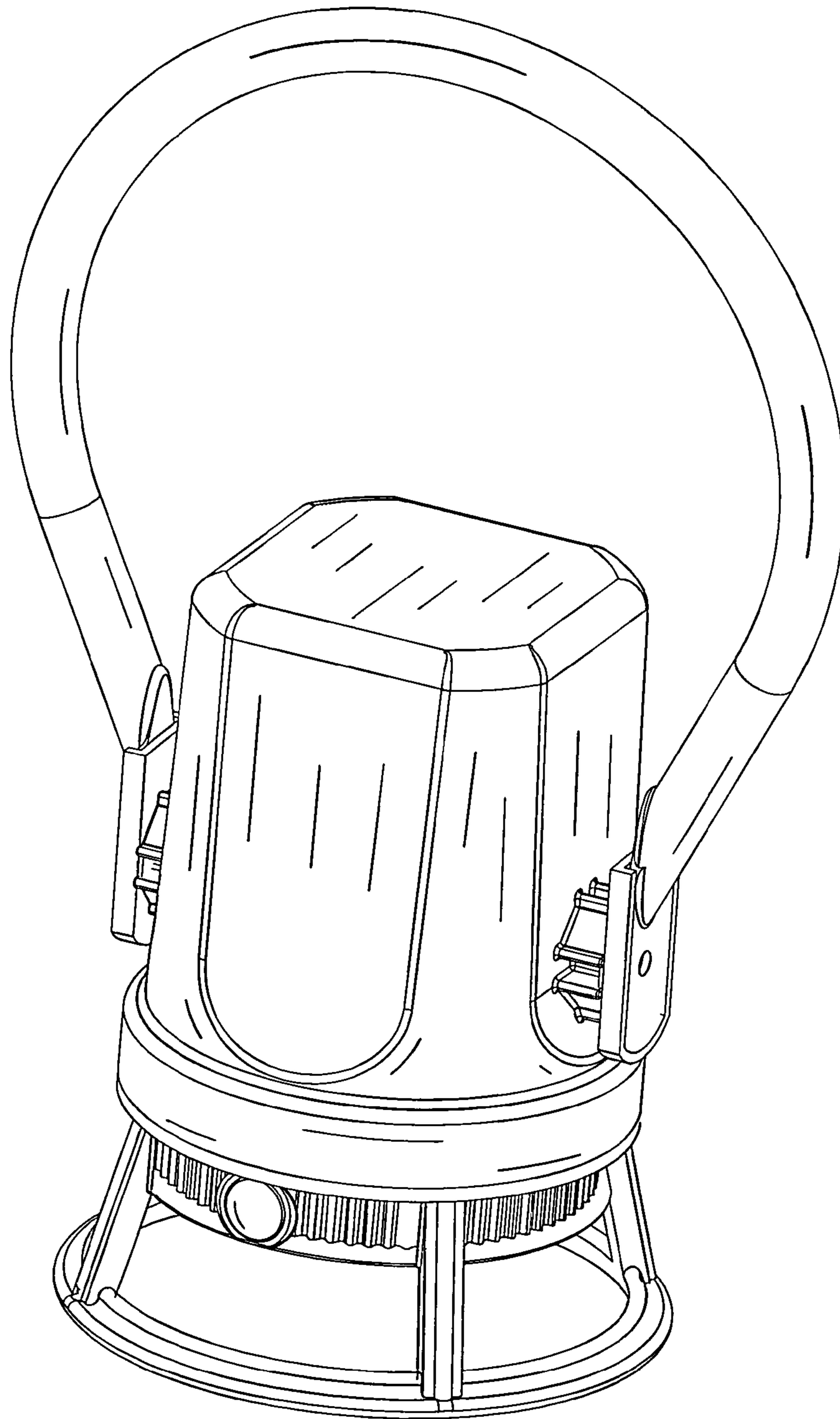


FIG. 4



**FIG. 5**



**FIG. 6**