



US00D716479S

(12) **United States Design Patent**
Sperling et al.

(10) **Patent No.:** **US D716,479 S**
(45) **Date of Patent:** **** Oct. 28, 2014**

(54) **FRONT COMBINATION LAMP FOR AN AUTOMOBILE**

D493,550 S * 7/2004 Lin D26/28
D495,813 S * 9/2004 Lin D26/28
D528,681 S * 9/2006 Nakahara D26/28
D538,956 S * 3/2007 Ishii D26/28

(71) Applicants: **Matthew Niven Sperling**, Huntington Beach, CA (US); **Peter Kim**, Nagoya (JP)

(72) Inventors: **Matthew Niven Sperling**, Huntington Beach, CA (US); **Peter Kim**, Nagoya (JP)

(73) Assignee: **Toyota Jidosha Kabushiki Kaisha**, Toyota-shi, Aichi-ken (JP)

(**) Term: **14 Years**

(21) Appl. No.: **29/458,693**

(22) Filed: **Jun. 21, 2013**

(30) **Foreign Application Priority Data**

Dec. 26, 2012 (JP) 2012-031511

(51) **LOC (10) Cl.** **26-06**

(52) **U.S. Cl.**
USPC **D26/28**

(58) **Field of Classification Search**
USPC D26/28-36; 362/459-468, 475-478,
362/485-487

See application file for complete search history.

(56) **References Cited**

U.S. PATENT DOCUMENTS

D490,174 S * 5/2004 Lin D26/28

OTHER PUBLICATIONS

Netcarshow.com; URL: <http://www.netcarshow.com>; Mfg.: Ford; Model: Ford F-150; available on at least Jun. 13, 2012.

Netcarshow.com; URL: http://www.netcarshow.com/dodge/2009-ram_1500k Mfg.: Dodge; Model: Dodge Ram 1500 (2009); available on at least Jun. 13, 2012.

* cited by examiner

Primary Examiner — Marcus Jackson

(74) *Attorney, Agent, or Firm* — Finnegan, Henderson, Farabow, Garrett & Dunner, LLP

(57) **CLAIM**

The ornamental design for a front combination lamp for an automobile, as shown and described.

DESCRIPTION

FIG. 1 is a front perspective view of a front combination lamp for an automobile of our new design;

FIG. 2 is a front view thereof;

FIG. 3 is a rear view thereof;

FIG. 4 is a left side view thereof;

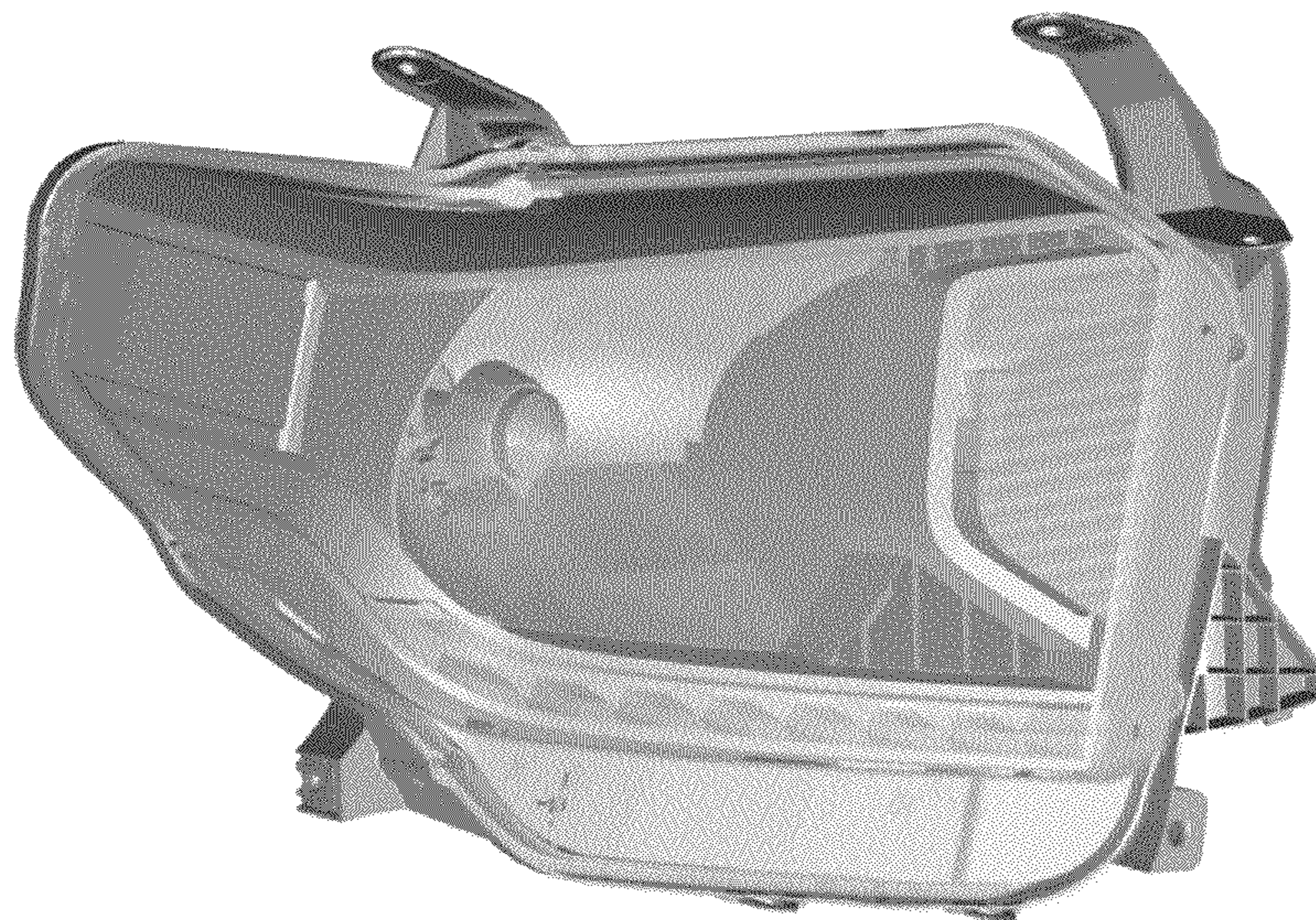
FIG. 5 is a right side view thereof;

FIG. 6 is a top plan view thereof; and,

FIG. 7 is a bottom view thereof.

Our design includes the mirror image of the embodiment depicted.

1 Claim, 3 Drawing Sheets



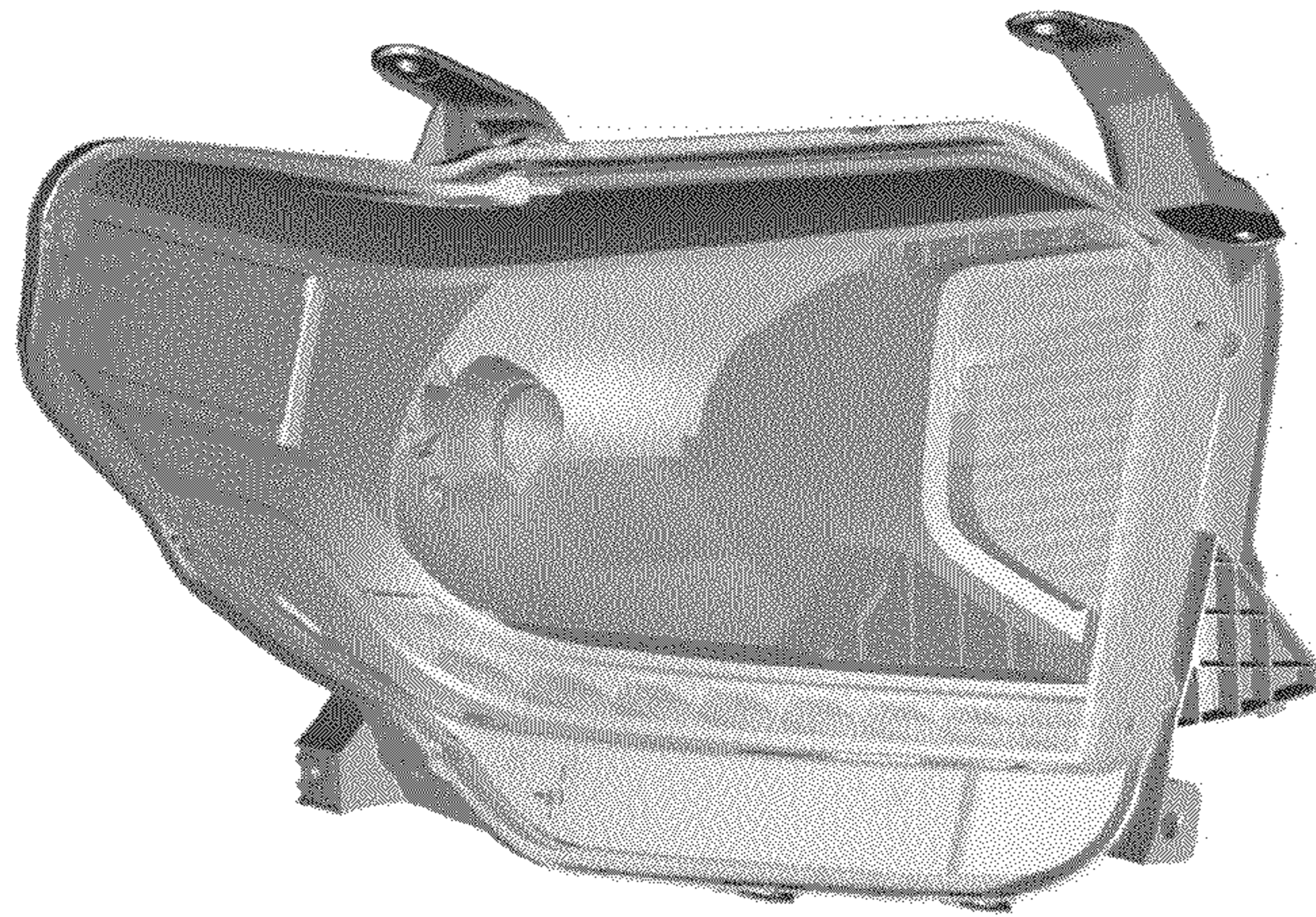


FIG. 1

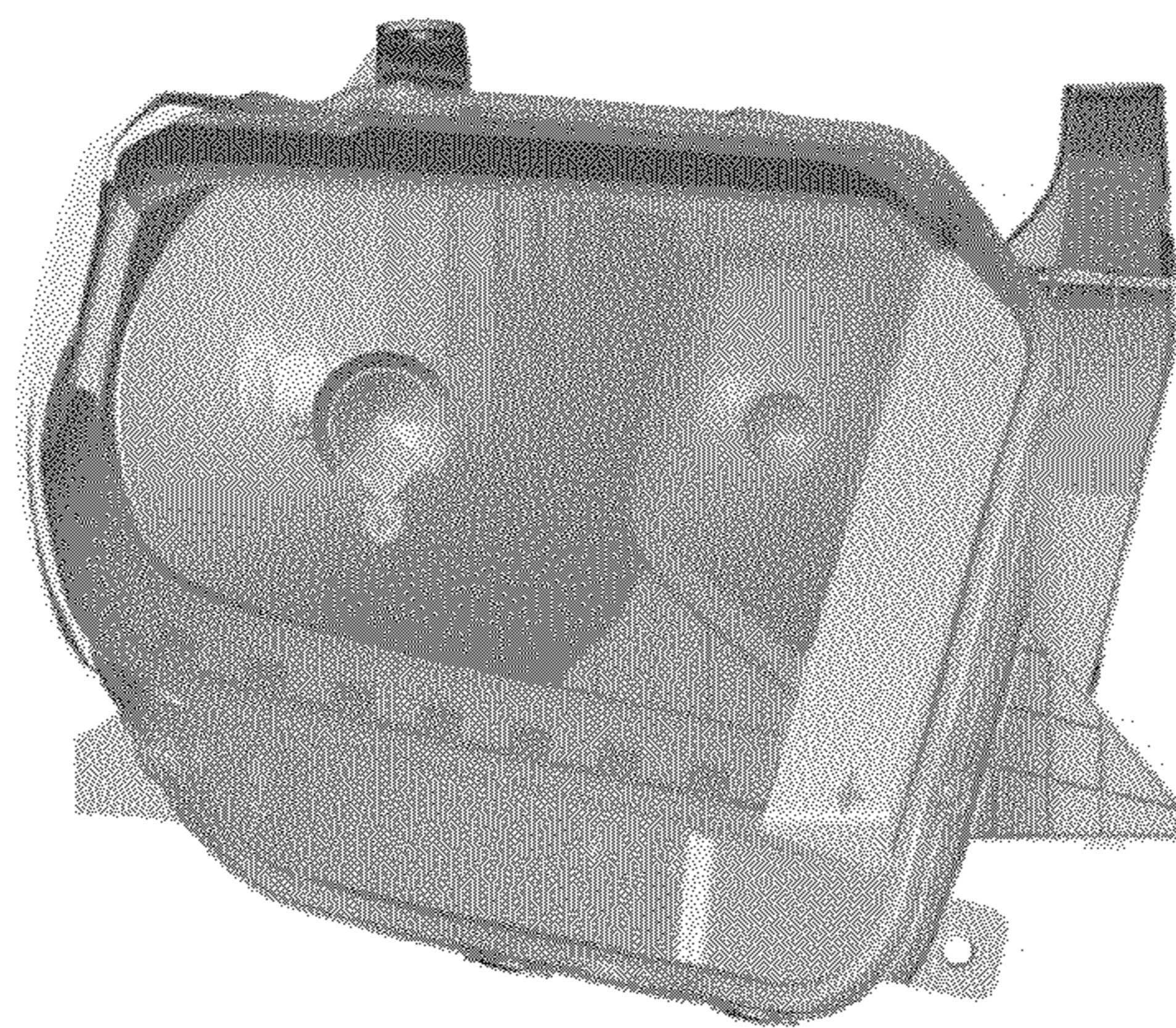


FIG. 2

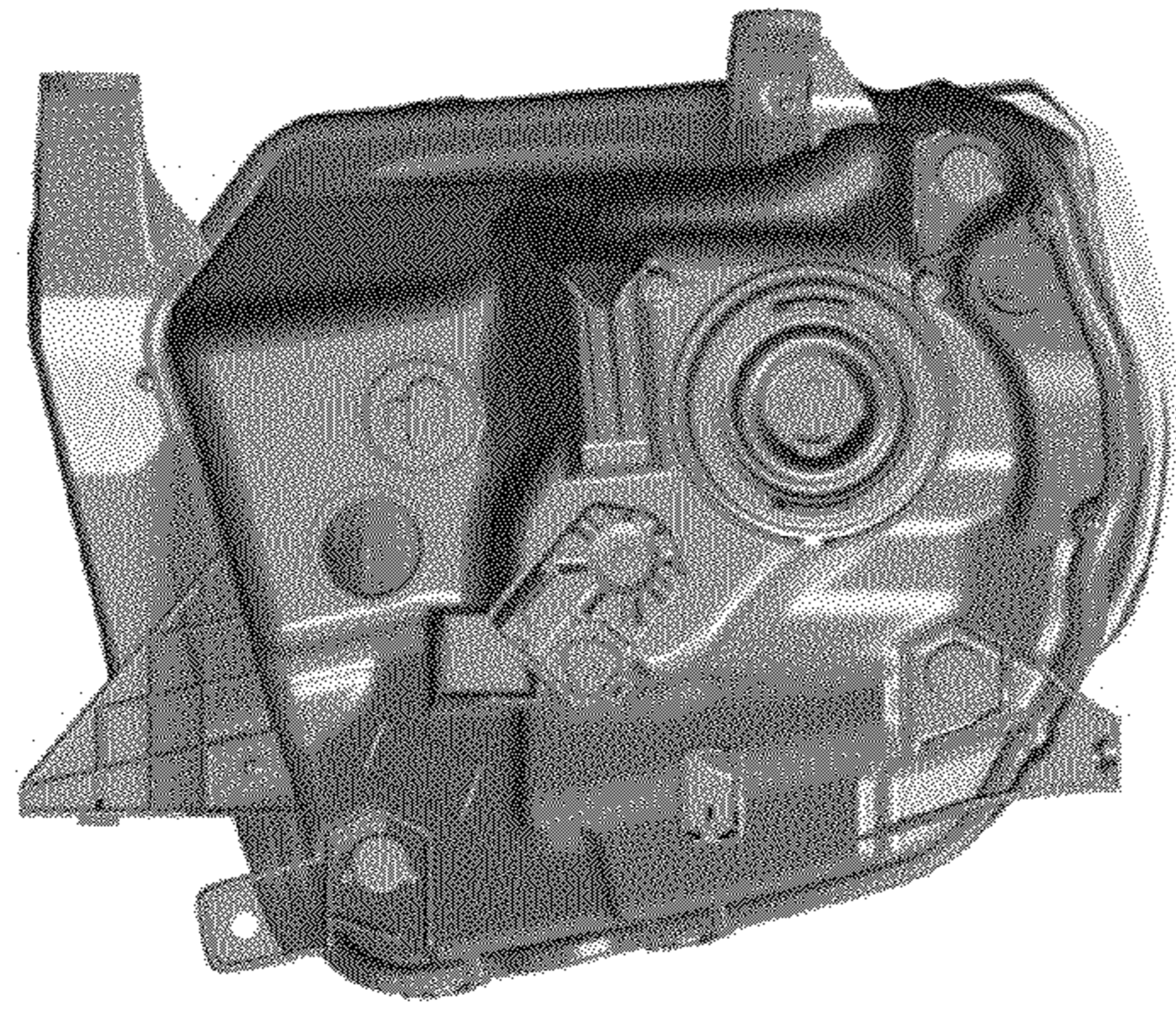


FIG. 3

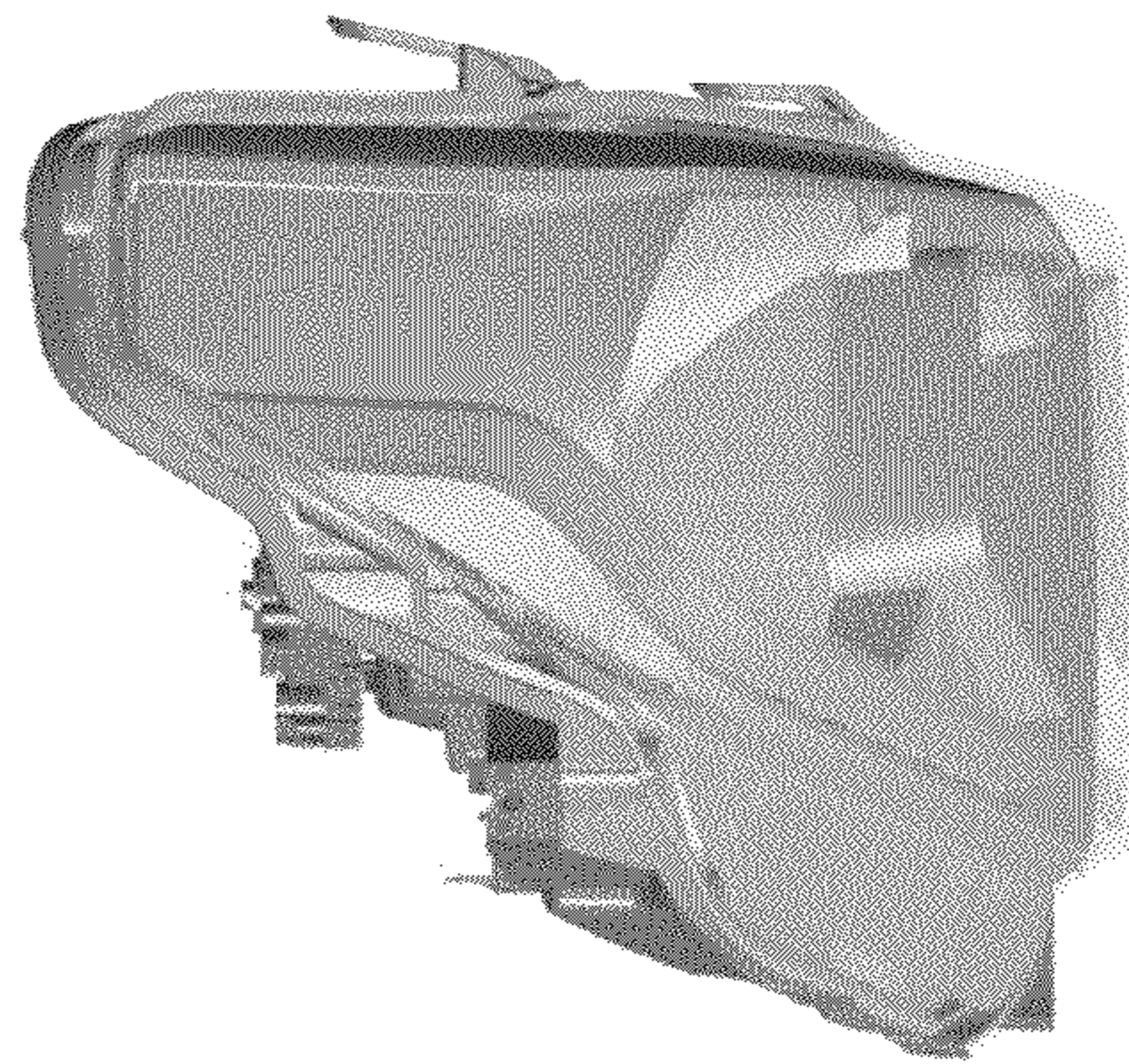


FIG. 4

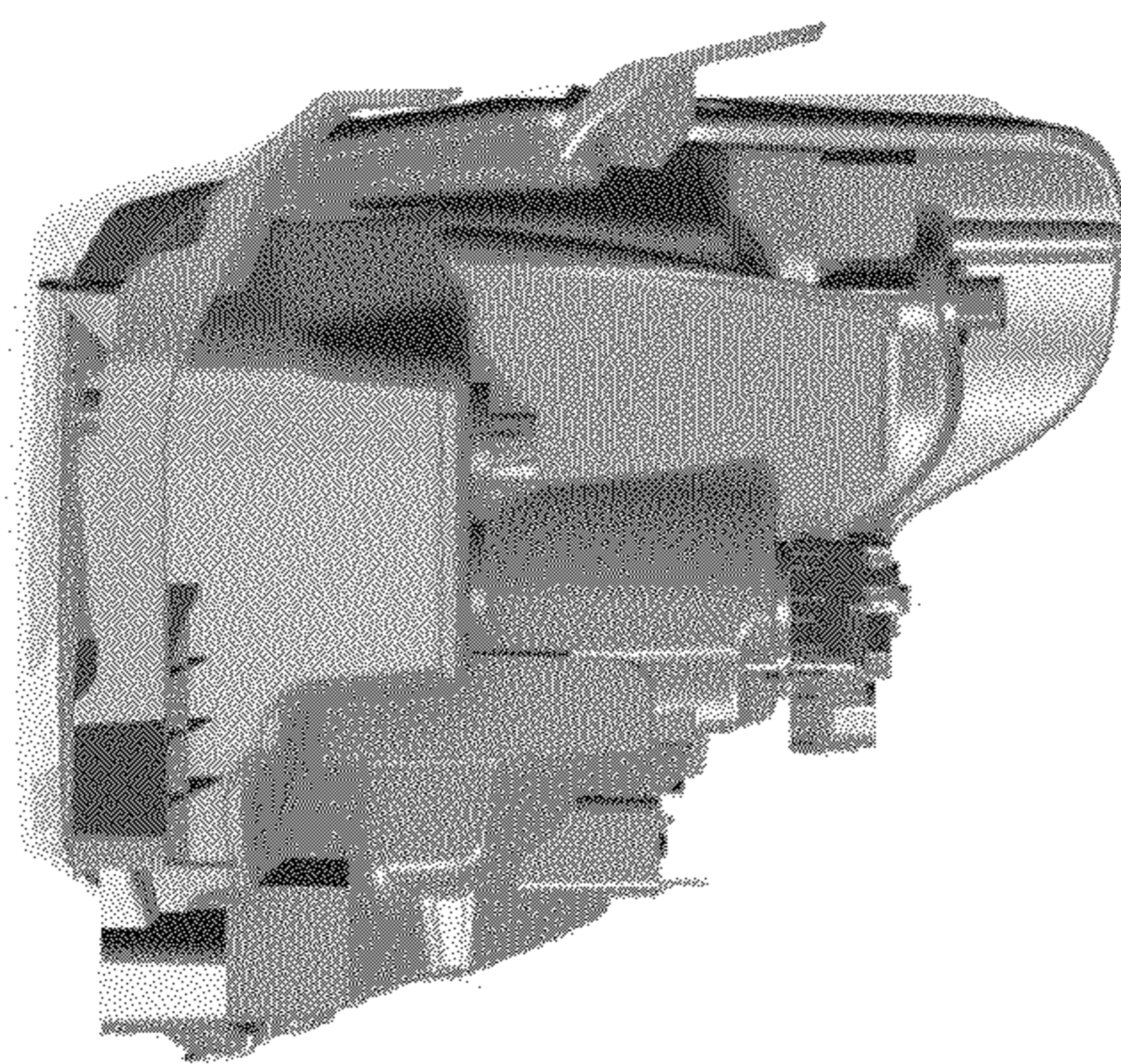


FIG. 5

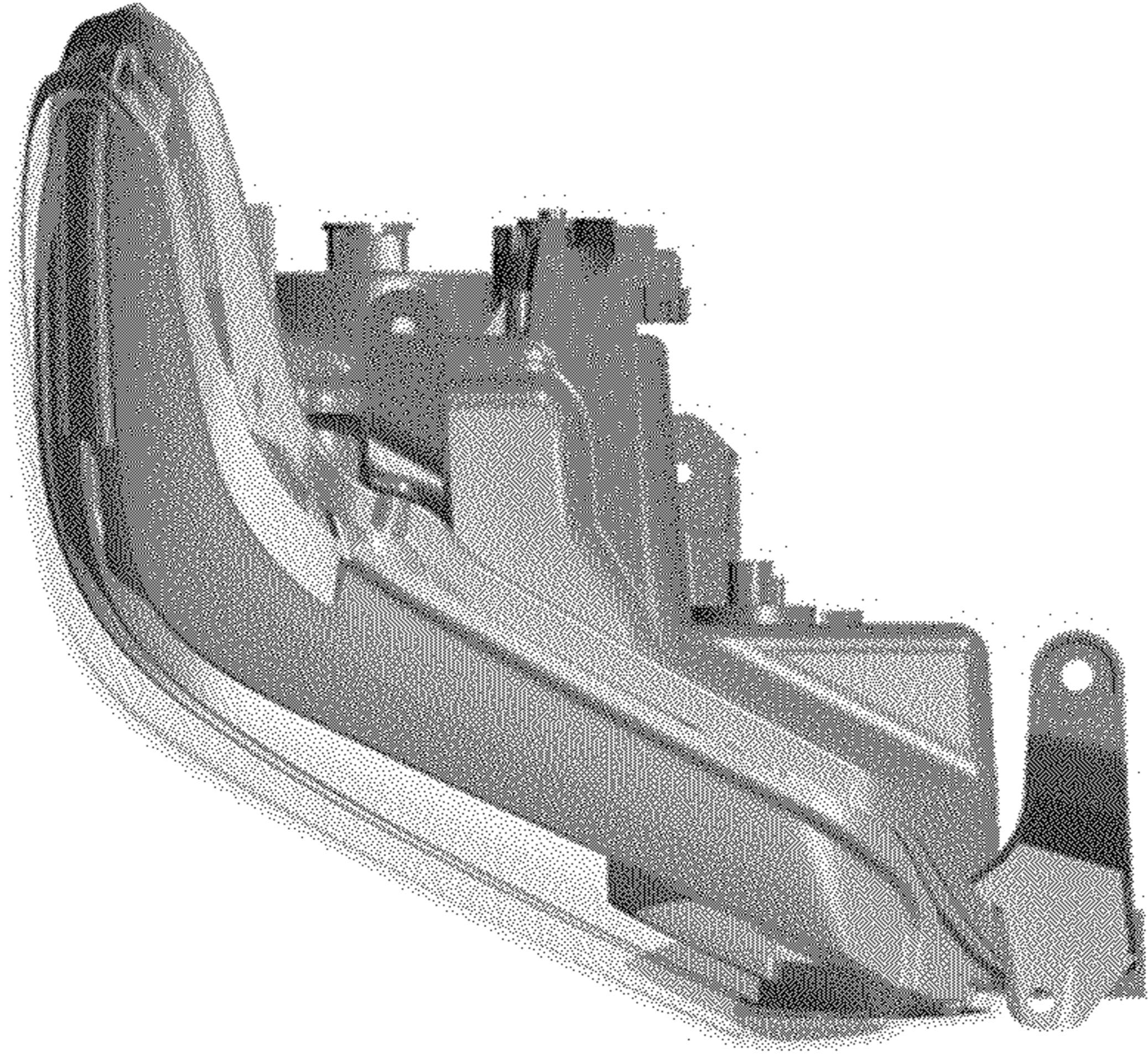


FIG. 6

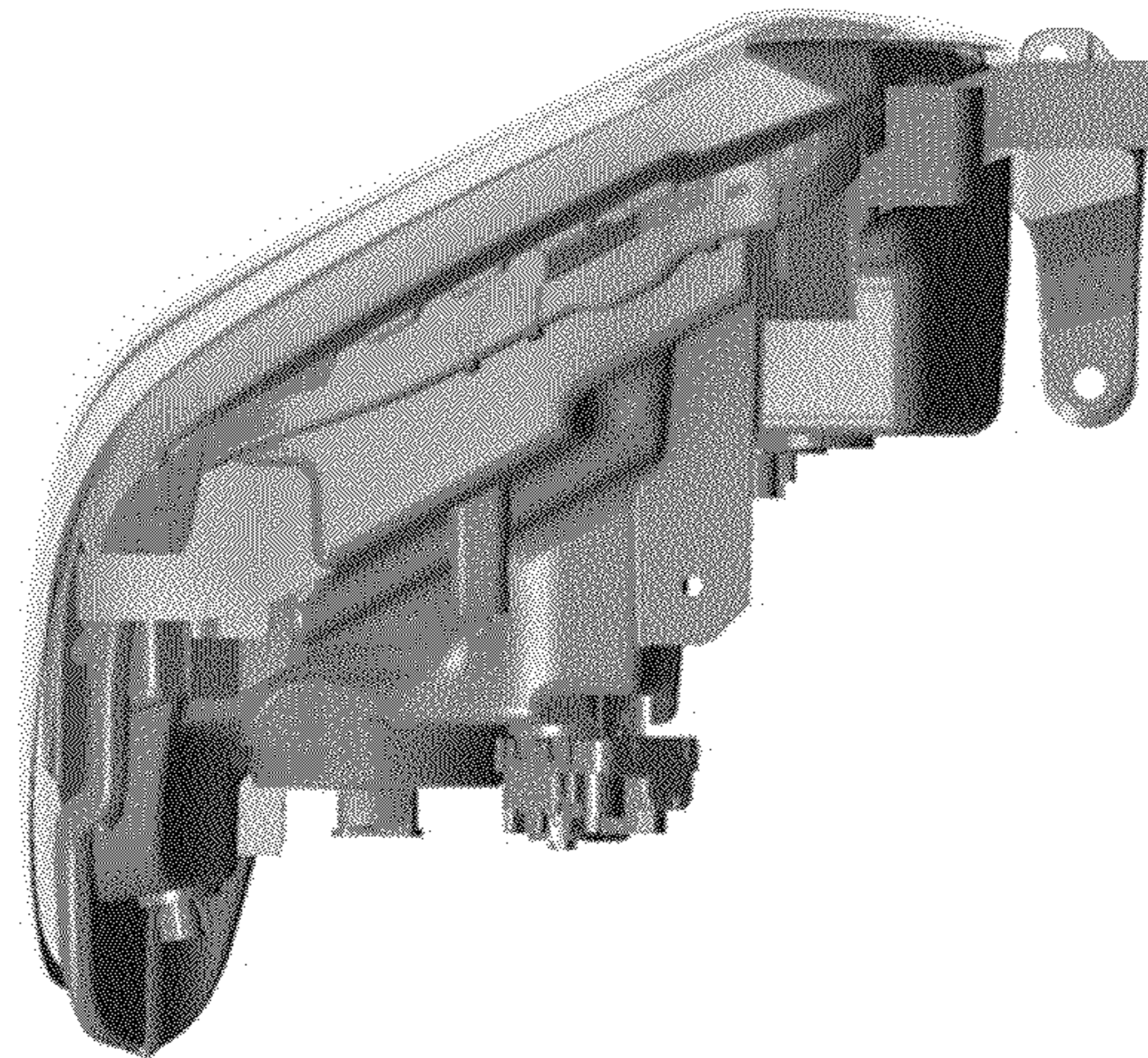


FIG. 7

UNITED STATES PATENT AND TRADEMARK OFFICE
CERTIFICATE OF CORRECTION

PATENT NO. : D716,479 S
APPLICATION NO. : 29/458693
DATED : October 28, 2014
INVENTOR(S) : Matthew Niven Sperling and Peter Kim

Page 1 of 1

It is certified that error appears in the above-identified patent and that said Letters Patent is hereby corrected as shown below:

On the Title Page

Please correct Item (56) under OTHER PUBLICATIONS of the above-identified patent, as follows:

--Netcarshow.com; URL: http://www.netcarshow.com/dodge/2009-ram_1500 /; Mfg.:
Dodge; Model: Dodge Ram 1500 (2009); available on at least June 13, 2012.--

Signed and Sealed this
Twenty-fourth Day of February, 2015



Michelle K. Lee
Deputy Director of the United States Patent and Trademark Office