



US00D716477S

(12) **United States Design Patent**
Chu

(10) **Patent No.:** **US D716,477 S**
(45) **Date of Patent:** **** Oct. 28, 2014**

(54) **LIGHTING UNIT FOR AN OFF-ROAD VEHICLE**

(71) Applicant: **Sammy Chu**, Irvine, CA (US)

(72) Inventor: **Sammy Chu**, Irvine, CA (US)

(**) Term: **14 Years**

(21) Appl. No.: **29/447,304**

(22) Filed: **Mar. 1, 2013**

(51) **LOC (10) Cl.** **26-06**

(52) **U.S. Cl.**
USPC **D26/28**

(58) **Field of Classification Search**
USPC D26/28-36; 362/459-468, 475-478,
362/485-487

See application file for complete search history.

(56) **References Cited**

U.S. PATENT DOCUMENTS

D490,172 S *	5/2004	Yamamoto	D26/28
D521,162 S *	5/2006	Campagna	D26/28
D532,537 S *	11/2006	Shiu	D26/39
D564,683 S *	3/2008	Roach et al.	D26/28
D570,011 S *	5/2008	Huang	D26/28
D638,963 S *	5/2011	Huang	D26/28

* cited by examiner

Primary Examiner — Marcus Jackson

(74) *Attorney, Agent, or Firm* — Law Office of Katsuhiro Arai

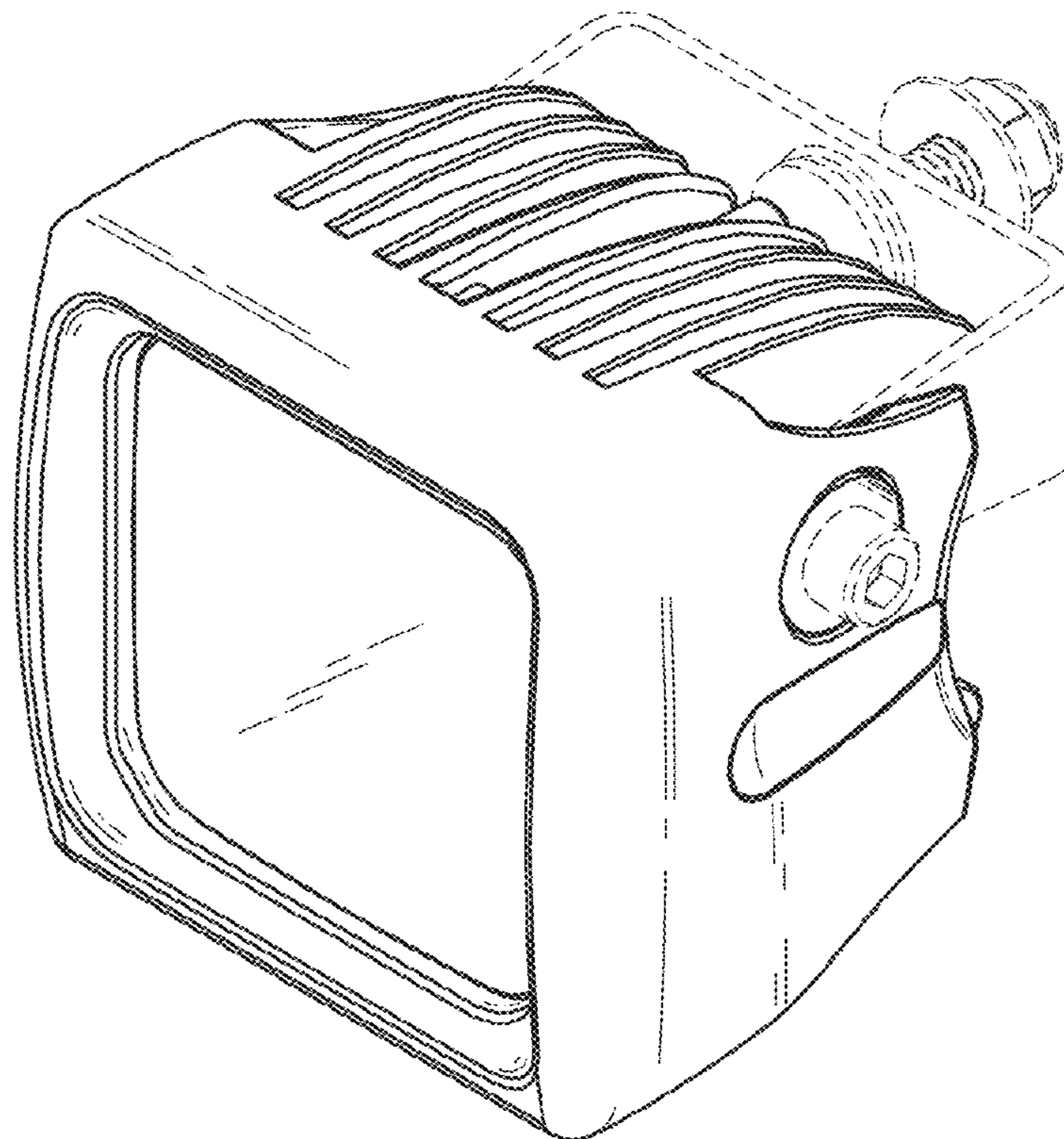
(57) **CLAIM**

The ornamental design for a lighting unit for an off-road vehicle, as shown and described.

DESCRIPTION

FIG. 1 is a front bottom perspective view of the lighting unit for an off-road vehicle, showing my new design;
FIG. 2 is a front elevation thereof;
FIG. 3 is a rear top perspective view thereof;
FIG. 4 is a rear elevation view thereof;
FIG. 5 is a left side elevation thereof, the side opposite being a mirror image;
FIG. 6 is a top plan view of the cube light; and,
FIG. 7 is a bottom plan view thereof.
The portions of the claimed design shown in broken lines, a support bracket shown in FIG. 1, and a power cable shown in FIGS. 3 and 5-7, form no part of the claimed design. The front surface with oblique line shadings in FIGS. 1 and 2 is illustrated as being transparent and an internal structure is omitted.

1 Claim, 4 Drawing Sheets



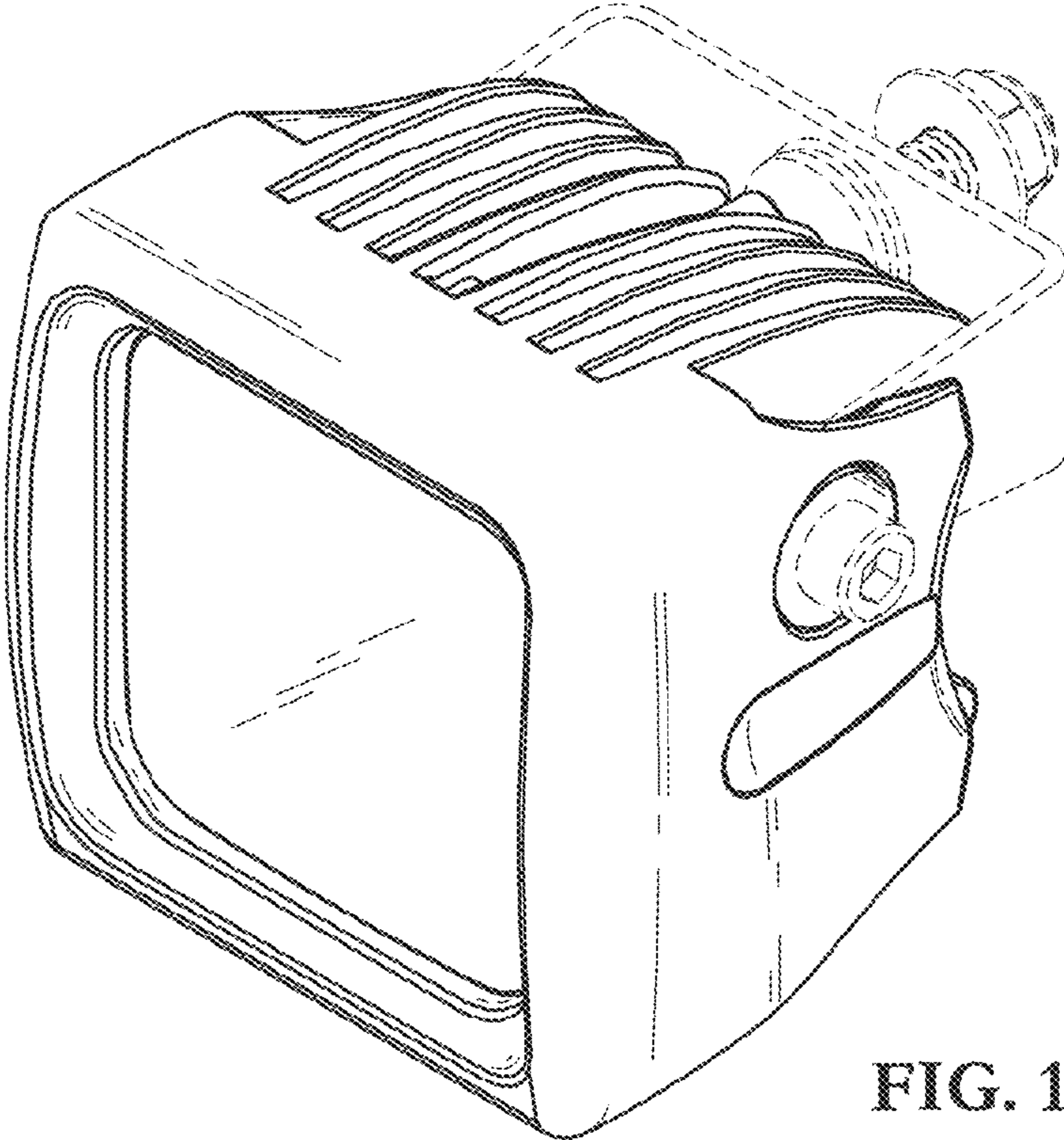


FIG. 1

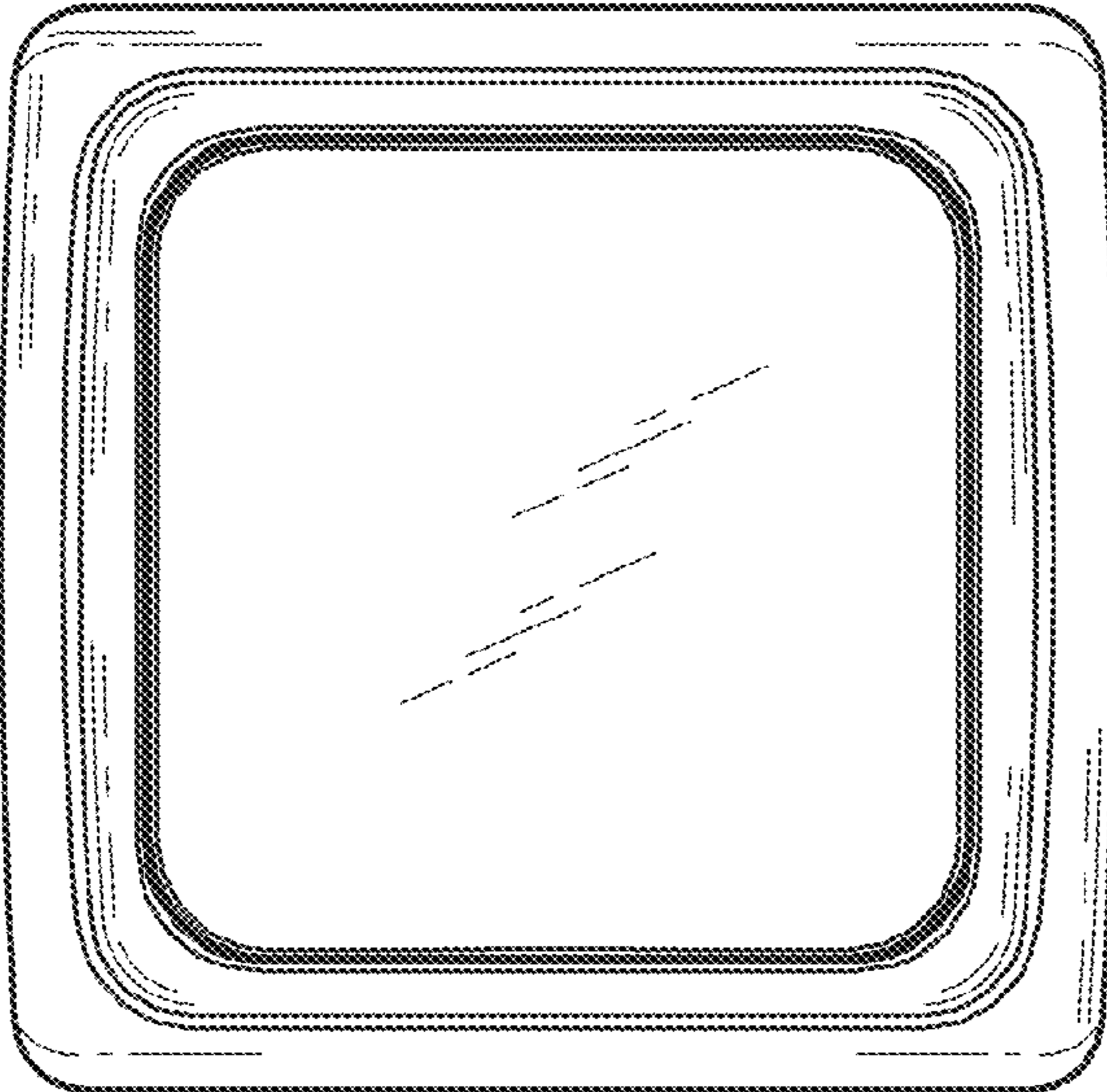


FIG. 2

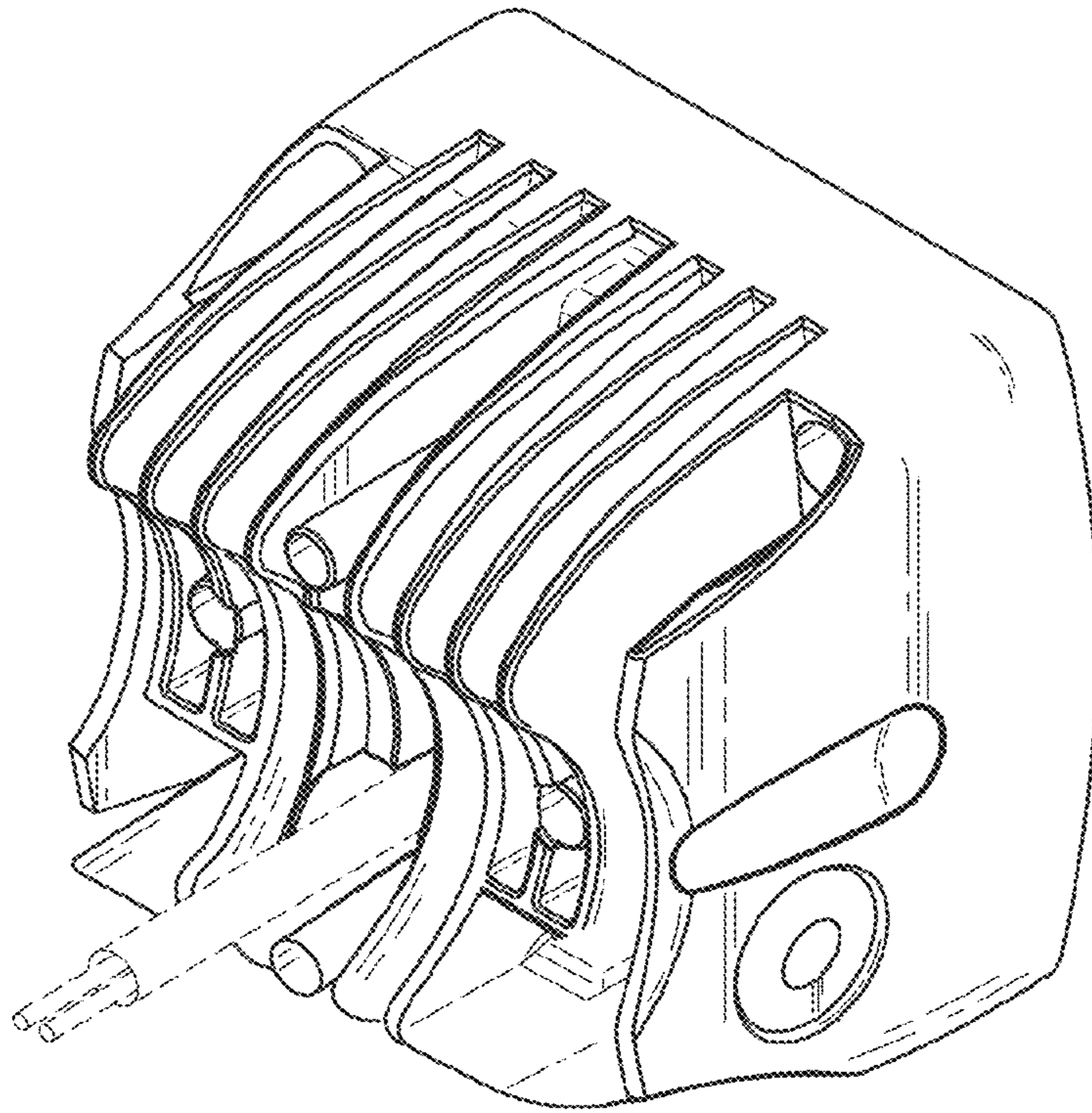


FIG. 3

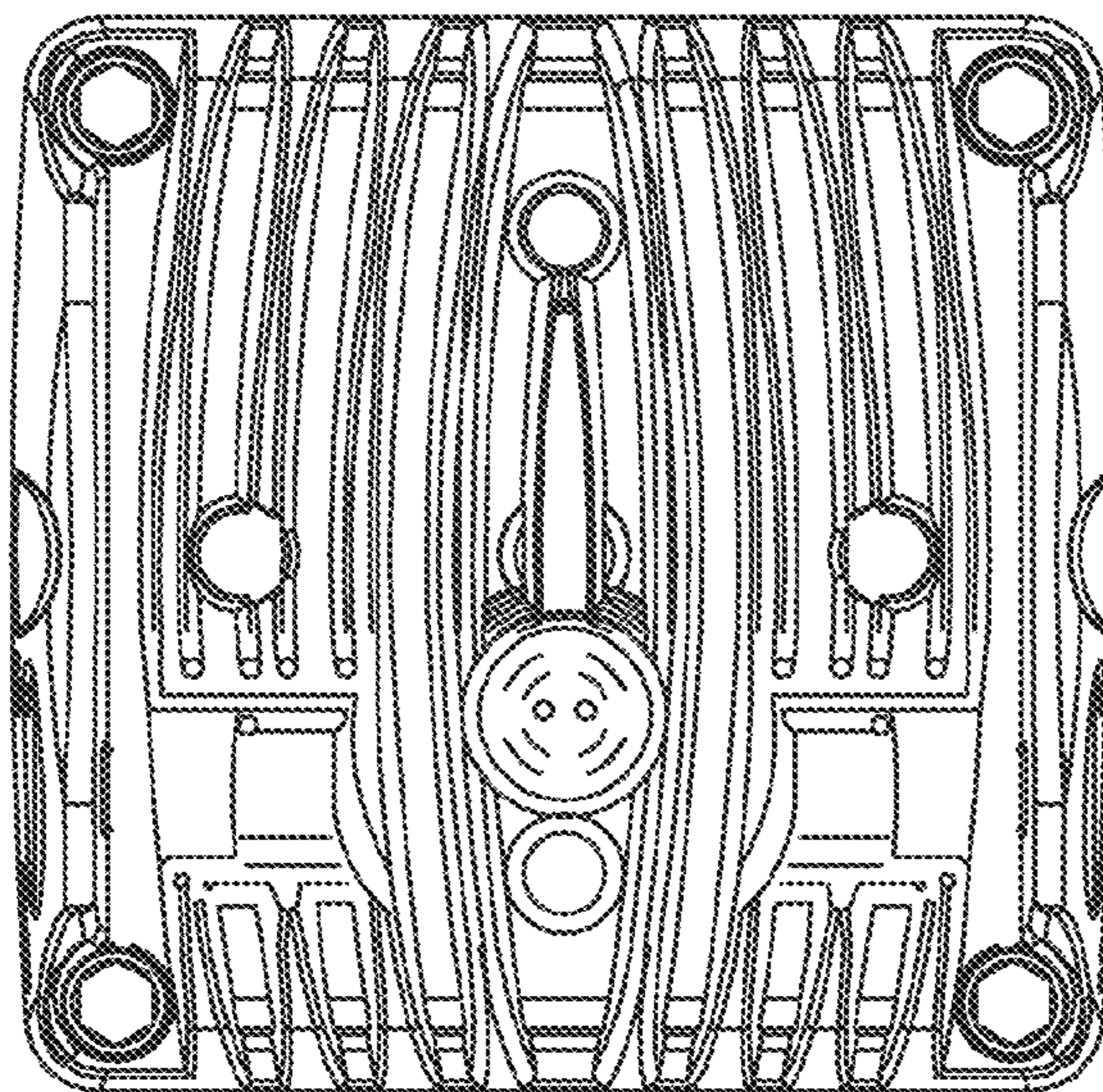


FIG. 4

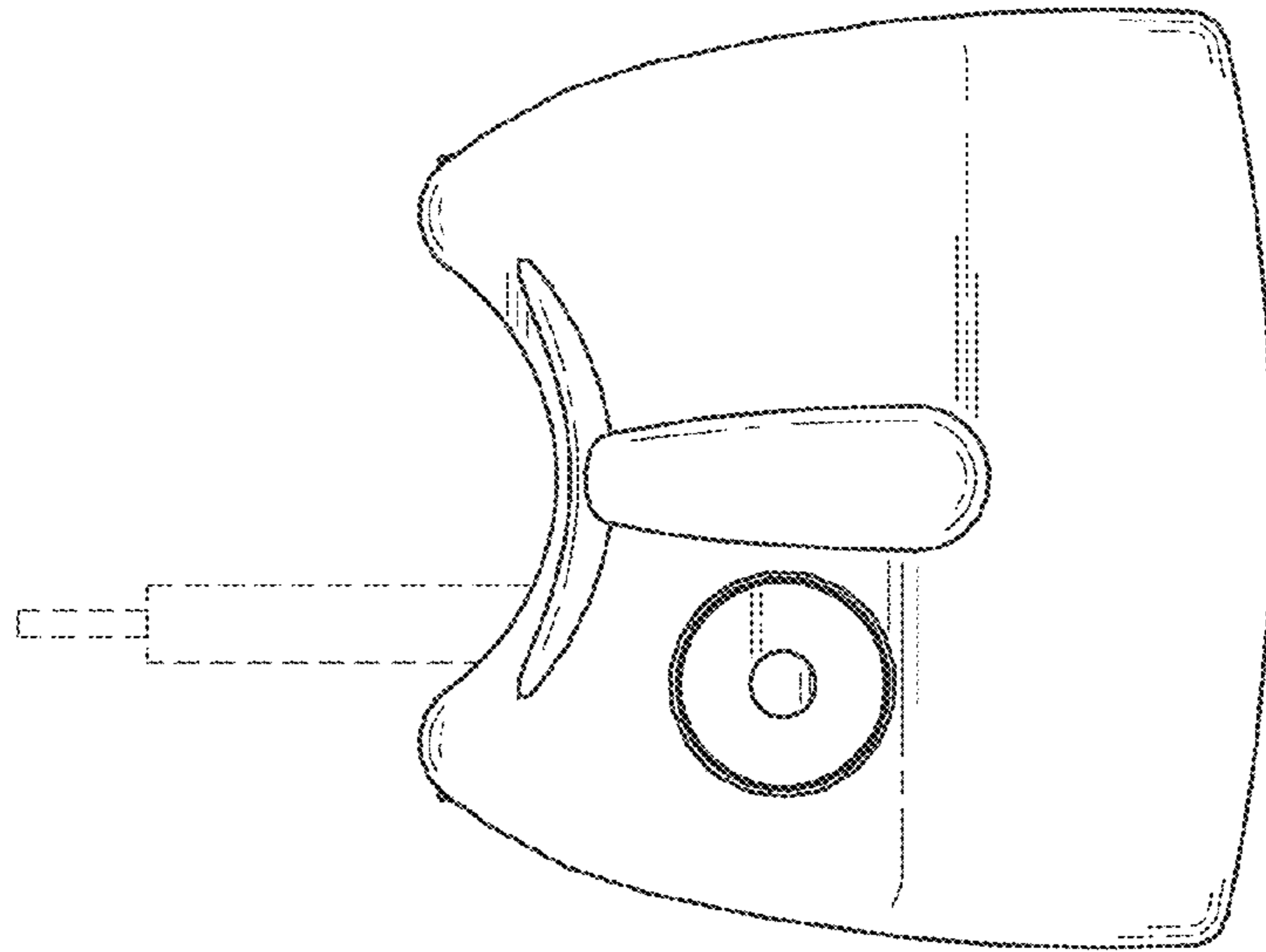


FIG. 5

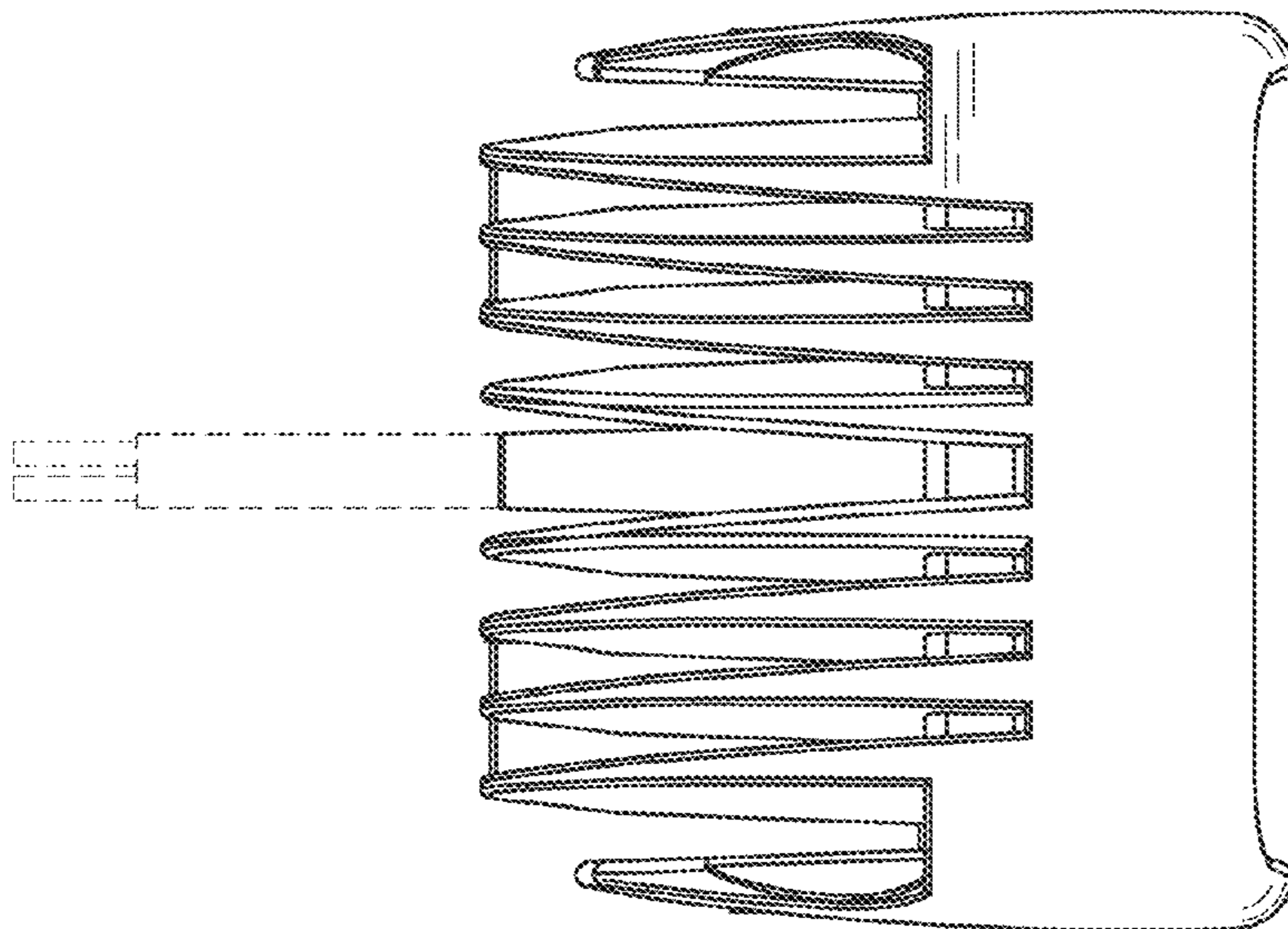


FIG. 6

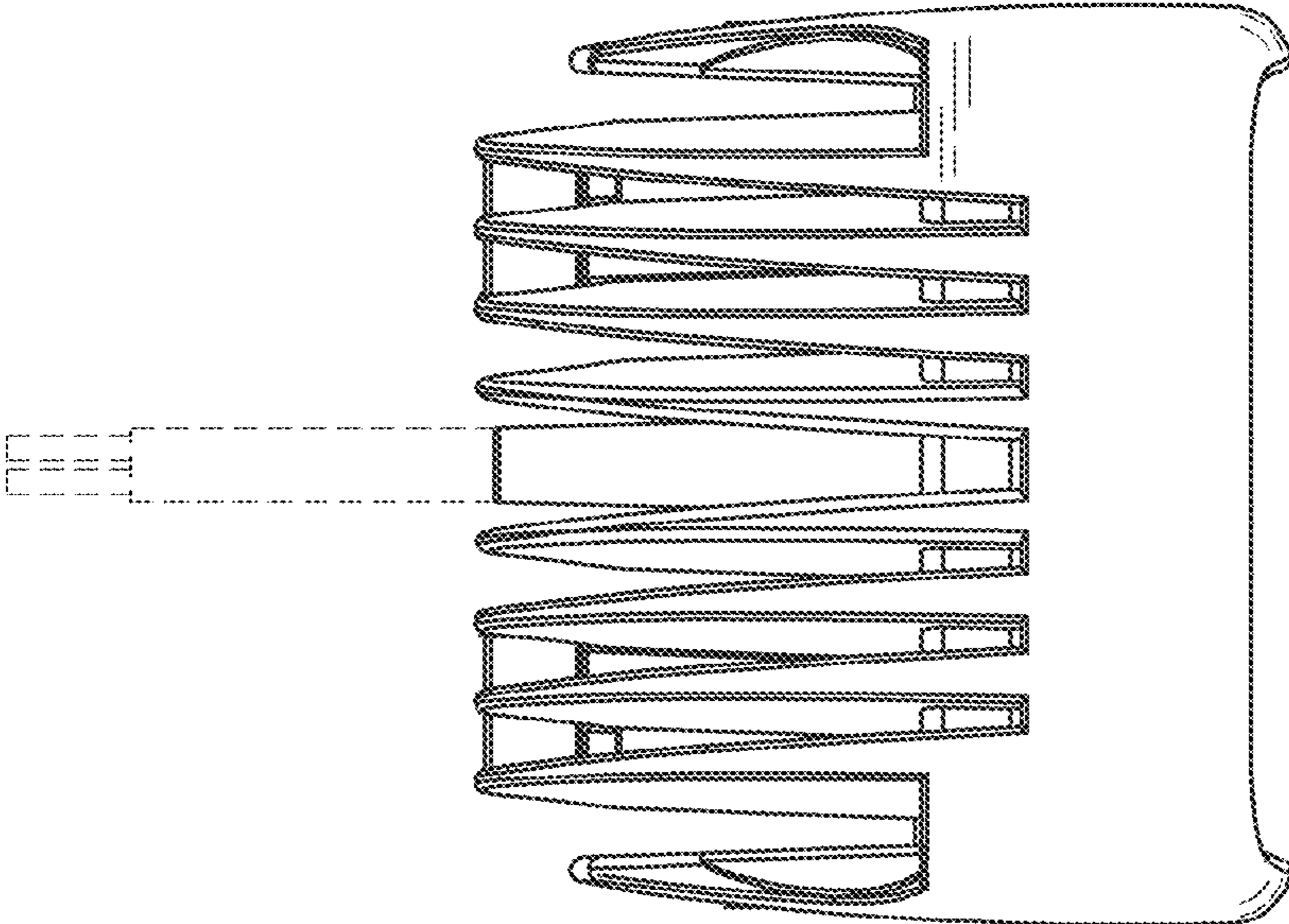


FIG. 7