



US00D716476S

(12) **United States Design Patent**  
**Asano**

(10) **Patent No.:** **US D716,476 S**  
(45) **Date of Patent:** **\*\* Oct. 28, 2014**

(54) **REAR COMBINATION LAMP FOR AN  
AUTOMOBILE**

(75) Inventor: **Syouta Asano**, Toyota (JP)  
(73) Assignee: **Toyota Jidosha Kabushiki Kaisha**,  
Toyota-shi, Aichi-ken (JP)

(\*\*) Term: **14 Years**

(21) Appl. No.: **29/424,076**

(22) Filed: **Jun. 7, 2012**

(30) **Foreign Application Priority Data**

Mar. 9, 2012 (JP) ..... 2012-005401  
Mar. 9, 2012 (JP) ..... 2012-005417

(51) **LOC (10) Cl.** ..... **26-06**

(52) **U.S. Cl.**  
USPC ..... **D26/28**

(58) **Field of Classification Search**  
USPC ..... D26/28-36; 362/459-468, 475-478,  
362/485-487  
See application file for complete search history.

(56) **References Cited**

**U.S. PATENT DOCUMENTS**

D530,839 S 10/2006 Matsuoka et al.  
D549,363 S \* 8/2007 Pfeiffer ..... D26/28  
D552,769 S \* 10/2007 Leclercq ..... D26/28  
D605,793 S \* 12/2009 Weil ..... D26/28

**OTHER PUBLICATIONS**

MPV no subete; MPV; Mfg.: Mazda; Publisher: San-eishobo Pub-  
lishing Co., Ltd.; Mar. 30, 2006.  
Catalogue of Raum; Raum; Mfg.: Toyota; Publisher: Toyota 2007.  
Catalogue of Toyota Voxy; Voxy; Mfg.: Toyota; Publisher: Toyota  
Jidosha Kabushiki Kaisha 2002.  
Catalogue of Toyota dB; Toyota dB; Mfg.: Toyota; Publisher: Toyota  
Jidosha Kabushiki Kaisha 2005.

\* cited by examiner

*Primary Examiner* — Marcus Jackson

(74) *Attorney, Agent, or Firm* — Finnegan, Henderson,  
Farabow, Garrett & Dunner, LLP

(57) **CLAIM**

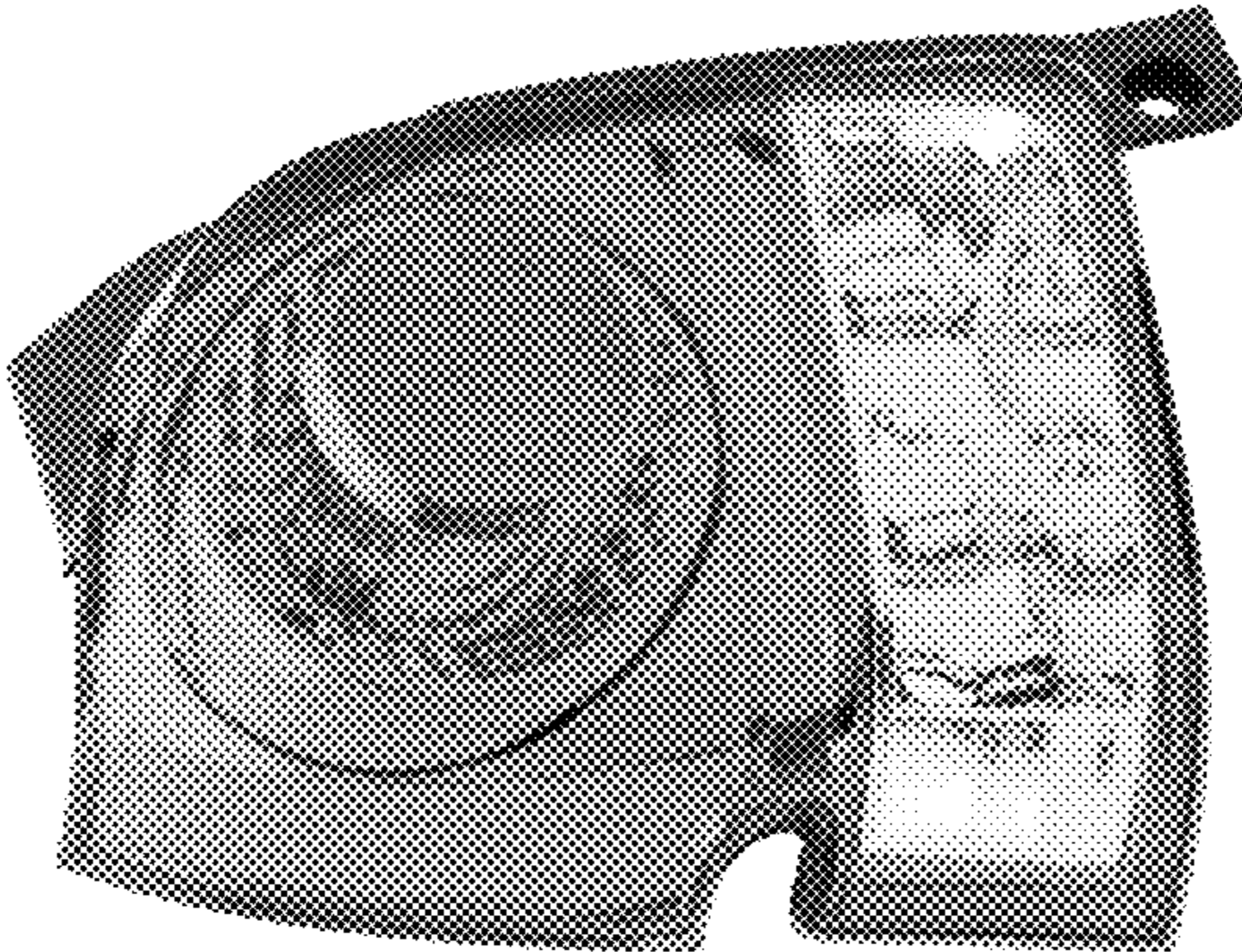
The ornamental design for a rear combination lamp for an  
automobile, as shown and described.

**DESCRIPTION**

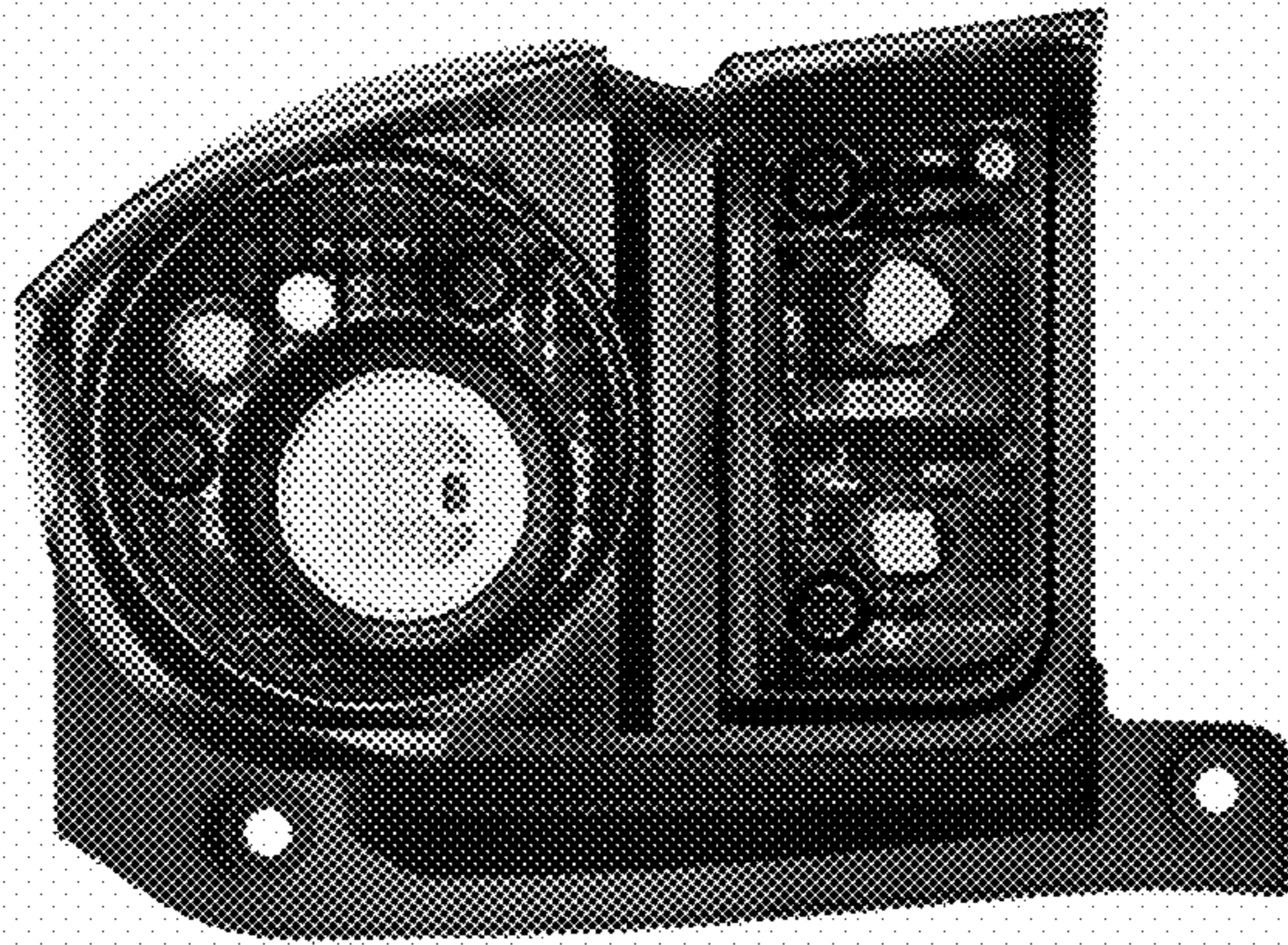
FIG. 1 is a perspective view of a rear combination lamp for an  
automobile showing my new design;  
FIG. 2 is a front view thereof;  
FIG. 3 is a rear view thereof;  
FIG. 4 is a left side elevation view thereof;  
FIG. 5 is a right side elevation view thereof;  
FIG. 6 is a top plan view thereof; and,  
FIG. 7 is a bottom view thereof.  
My design includes the mirror image of the embodiment  
depicted.

**1 Claim, 4 Drawing Sheets**

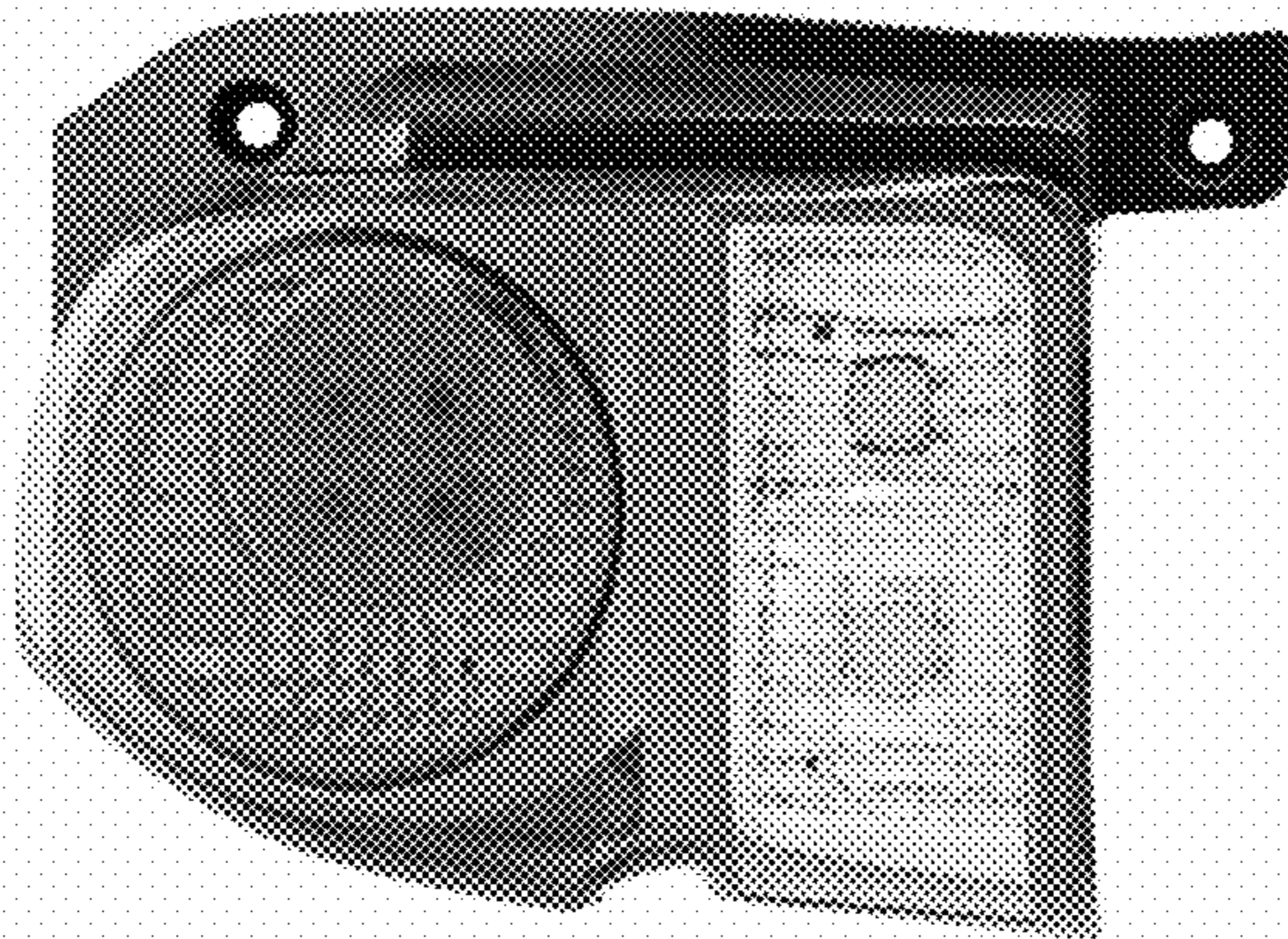




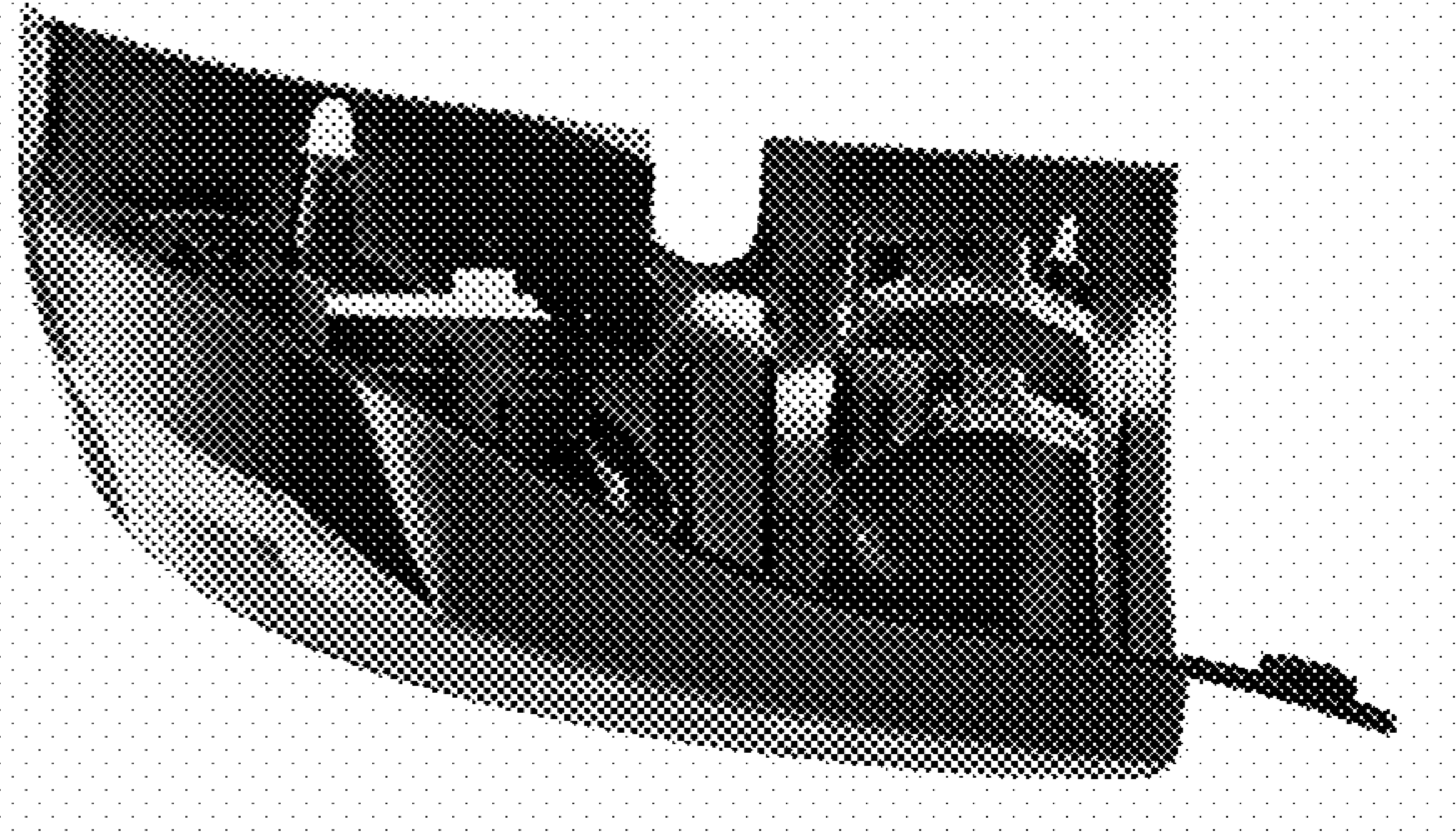
**FIG. 1**



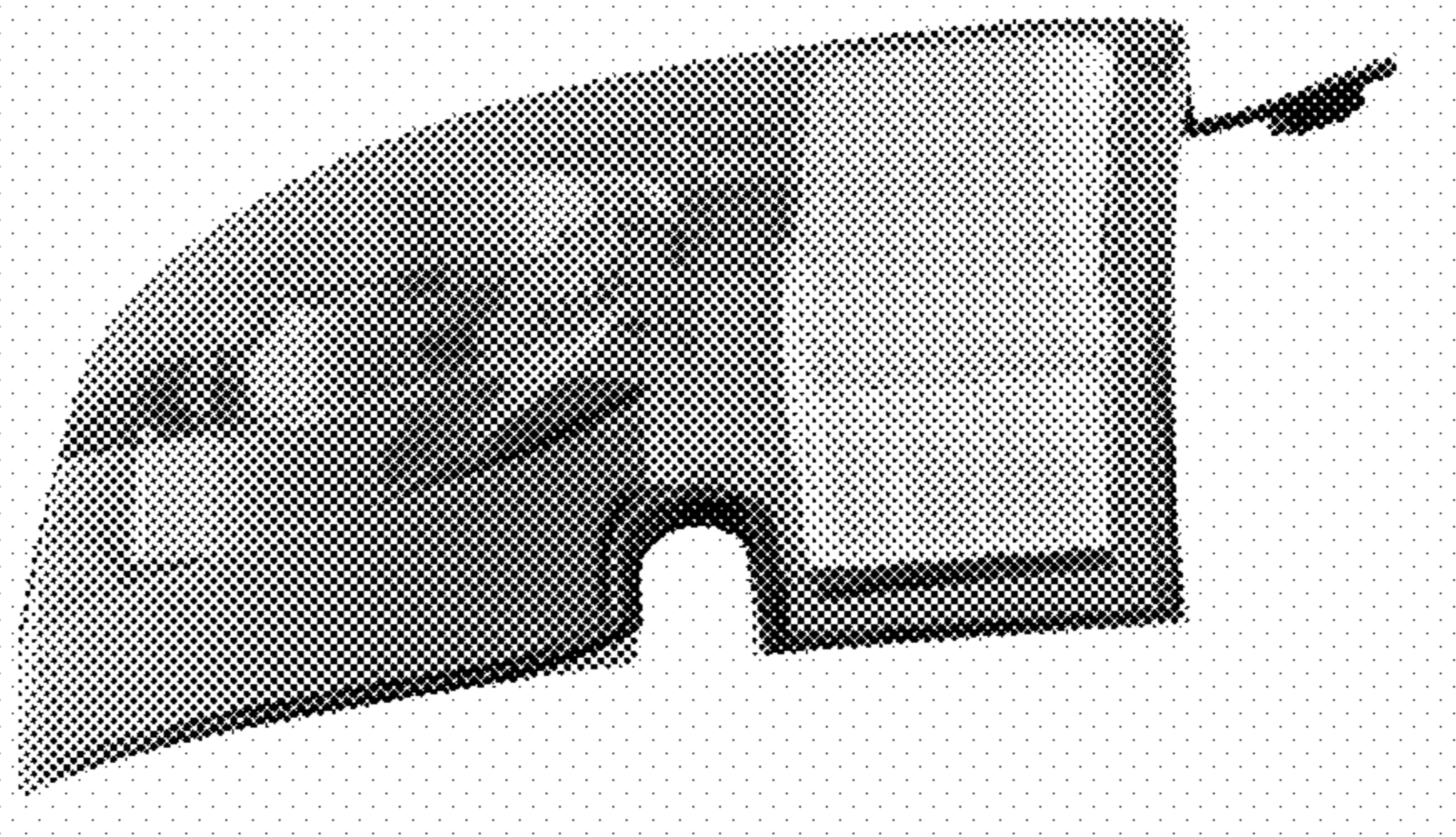
**FIG. 3**



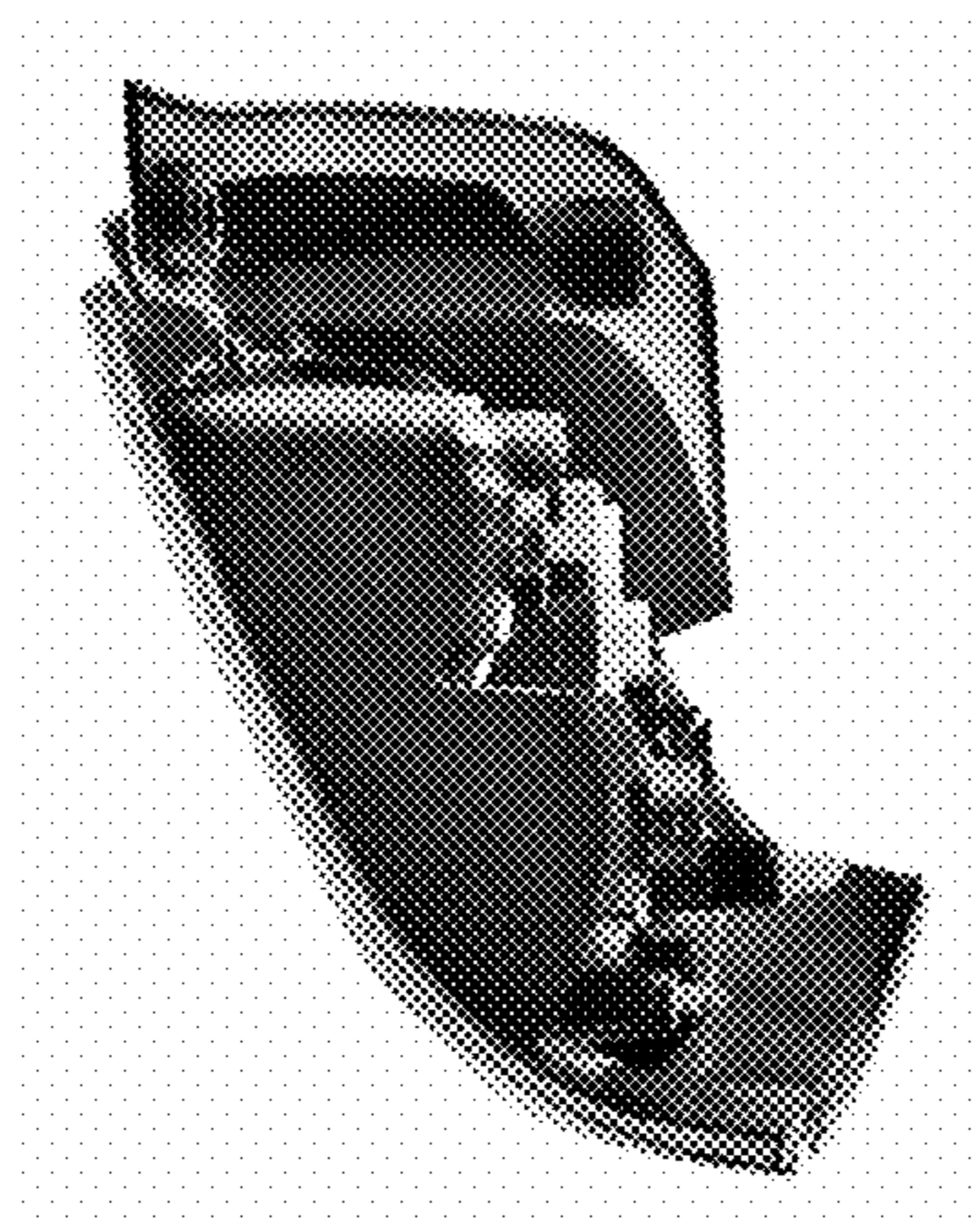
**FIG. 2**



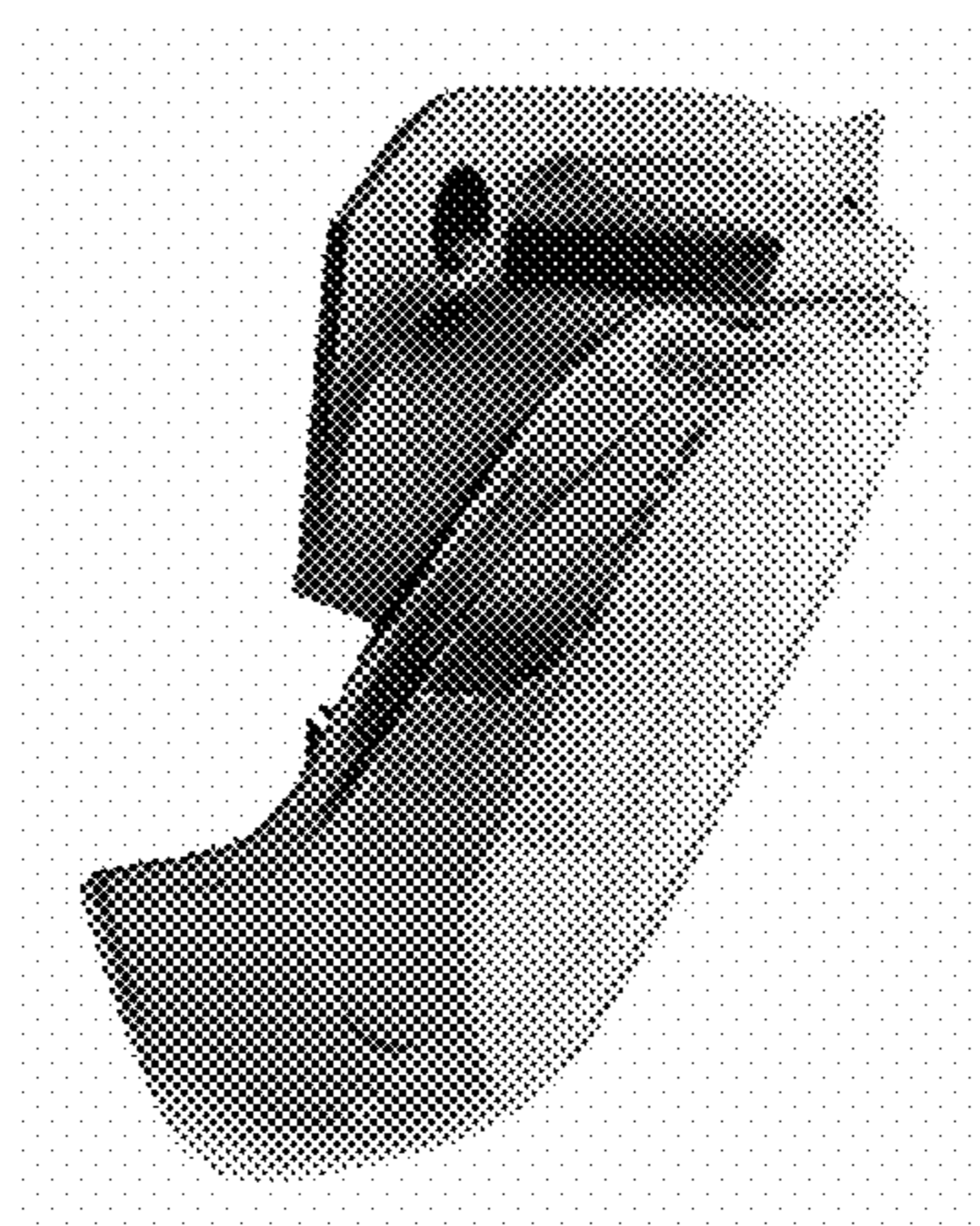
**FIG. 5**



**FIG. 4**



**FIG. 7**



**FIG. 6**