



US00D716475S

(12) **United States Design Patent**
Yeh

(10) **Patent No.:** **US D716,475 S**

(45) **Date of Patent:** **** Oct. 28, 2014**

(54) **INDUCTION BULB**

(71) Applicant: **John Yeh**, Chino Hills, CA (US)

(72) Inventor: **John Yeh**, Chino Hills, CA (US)

(**) Term: **14 Years**

(21) Appl. No.: **29/460,467**

(22) Filed: **Jul. 11, 2013**

(51) **LOC (10) Cl.** **26-04**

(52) **U.S. Cl.**
USPC **D26/3**

(58) **Field of Classification Search**
USPC D26/1-4; 313/313, 315, 316, 317, 318,
313/493; 315/52, 53, 56, 57, 58
See application file for complete search history.

(56) **References Cited**

U.S. PATENT DOCUMENTS

D562,471 S * 2/2008 He D26/3

D577,132 S * 9/2008 Itaya et al. D26/3
D593,225 S * 5/2009 He D26/3
D597,227 S * 7/2009 Kim et al. D26/3
D657,078 S * 4/2012 Sinai et al. D26/3

* cited by examiner

Primary Examiner — Marcus Jackson

(74) *Attorney, Agent, or Firm* — Denis Khoo

(57) **CLAIM**

The ornamental design for an induction bulb, as shown.

DESCRIPTION

FIG. 1 is a top view of an induction bulb showing my new design.

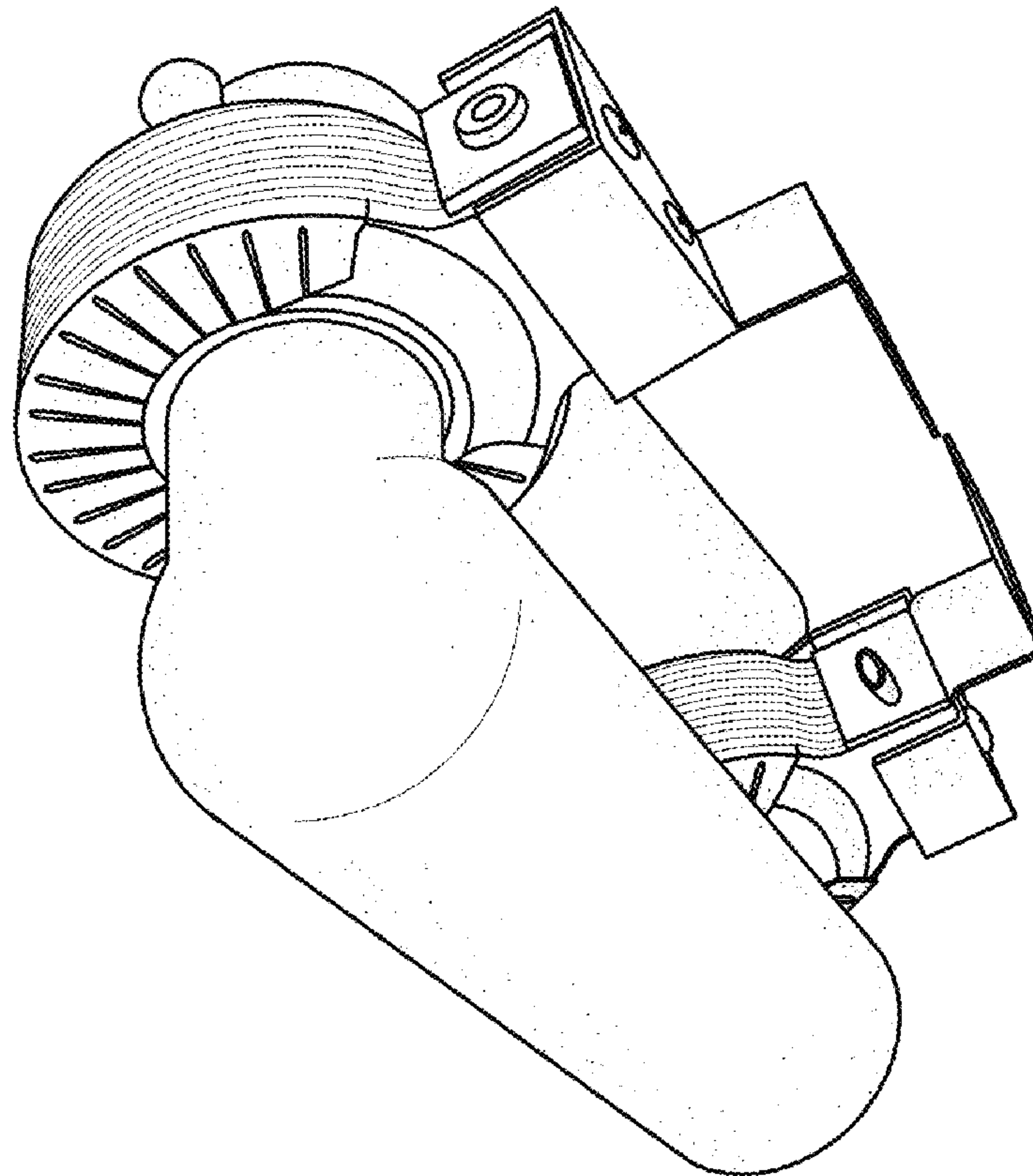
FIG. 2 is a side perspective view thereof.

FIG. 3 is a bottom perspective view thereof.

FIG. 4 is a front perspective view thereof; and,

FIG. 5 is a side perspective view thereof.

1 Claim, 5 Drawing Sheets



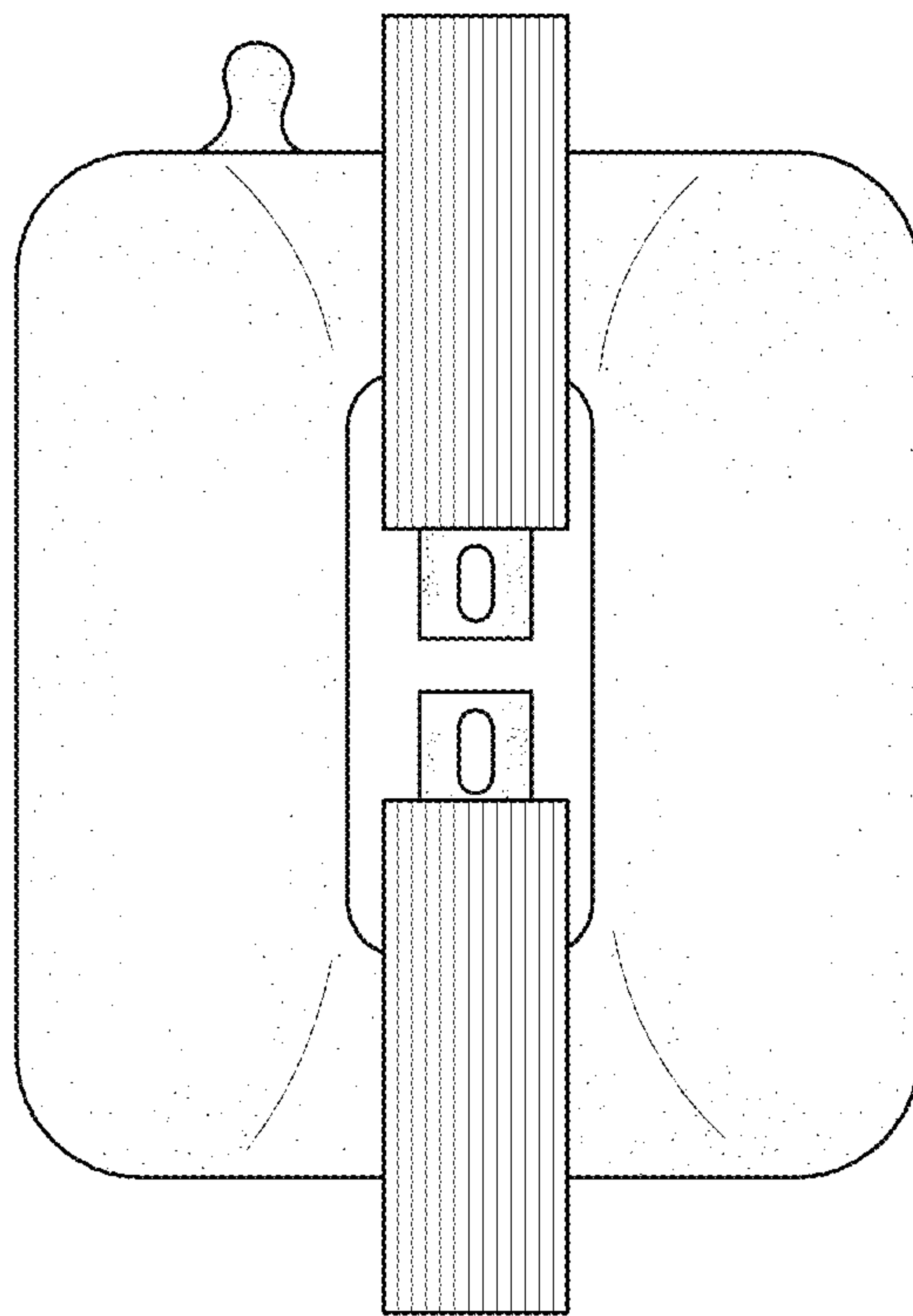


FIG. 1

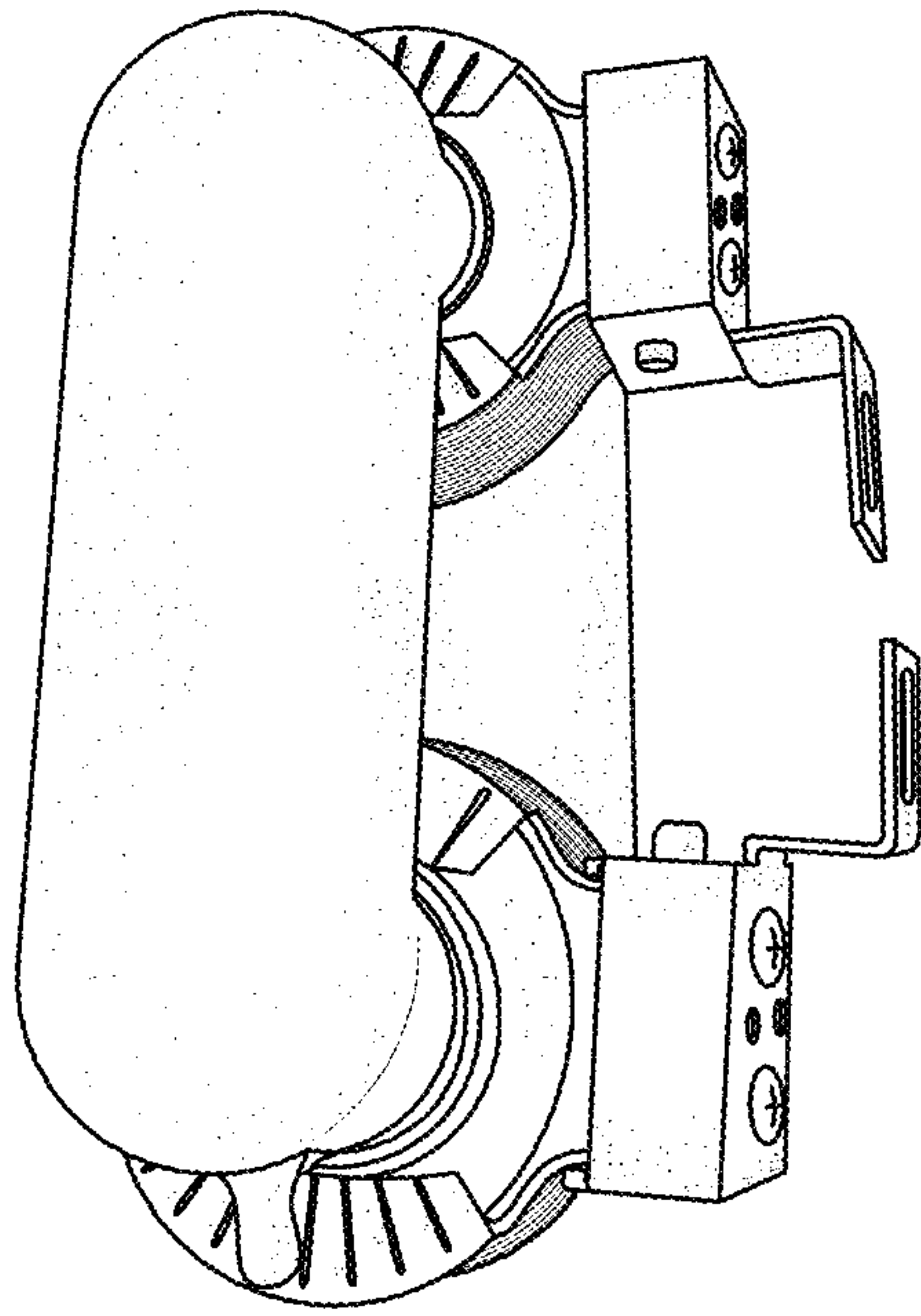


FIG. 2

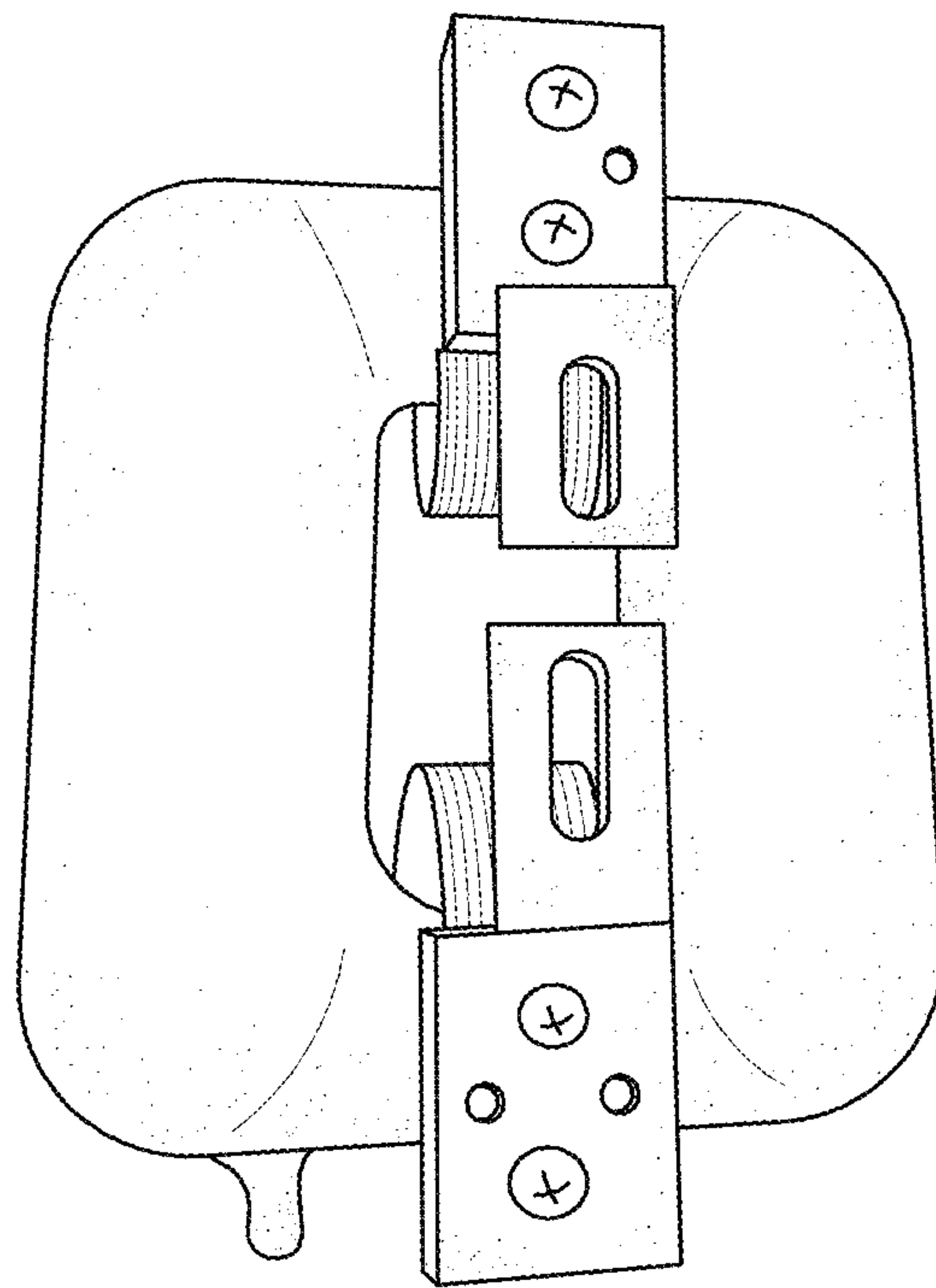


FIG. 3

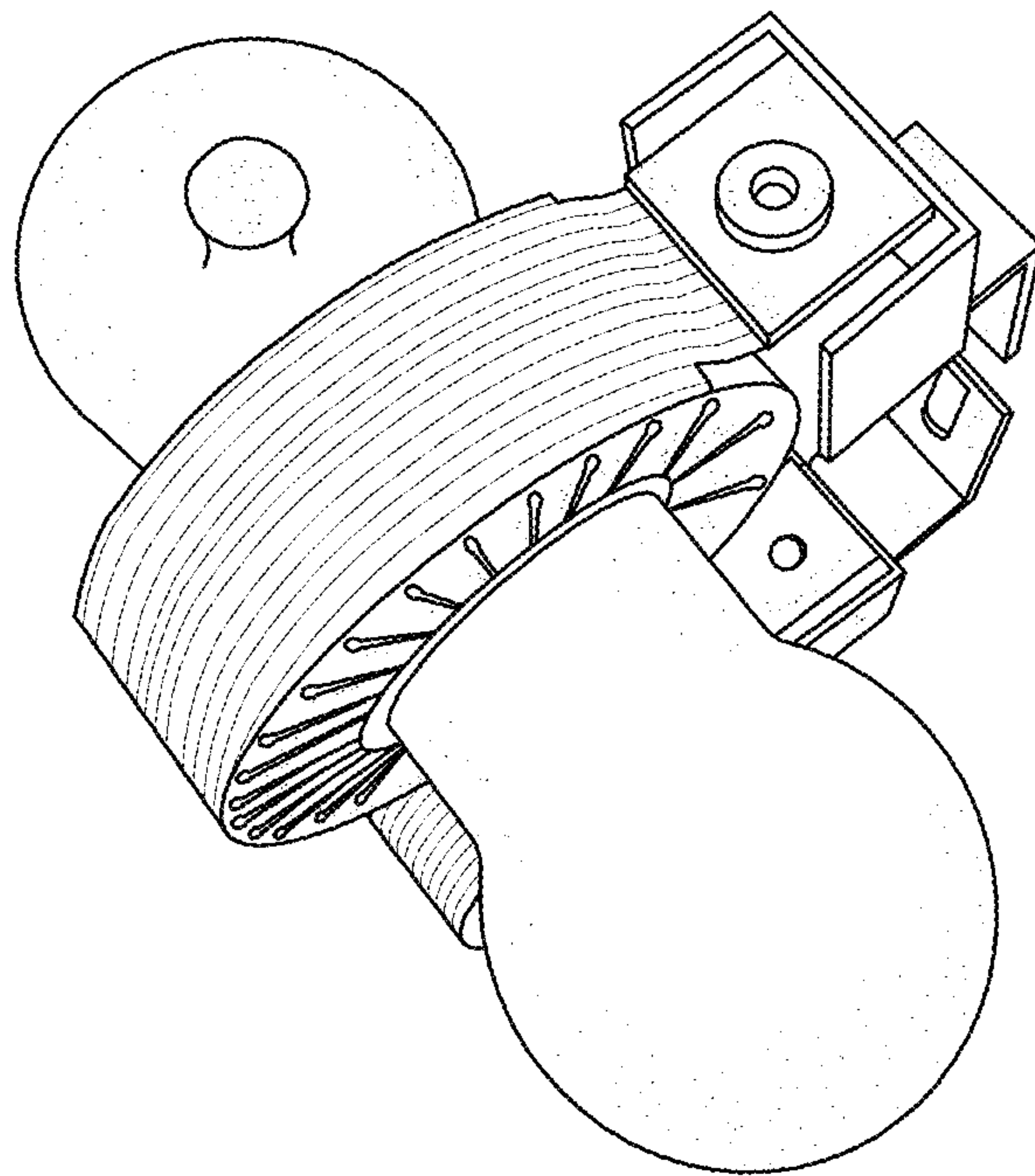


FIG. 4

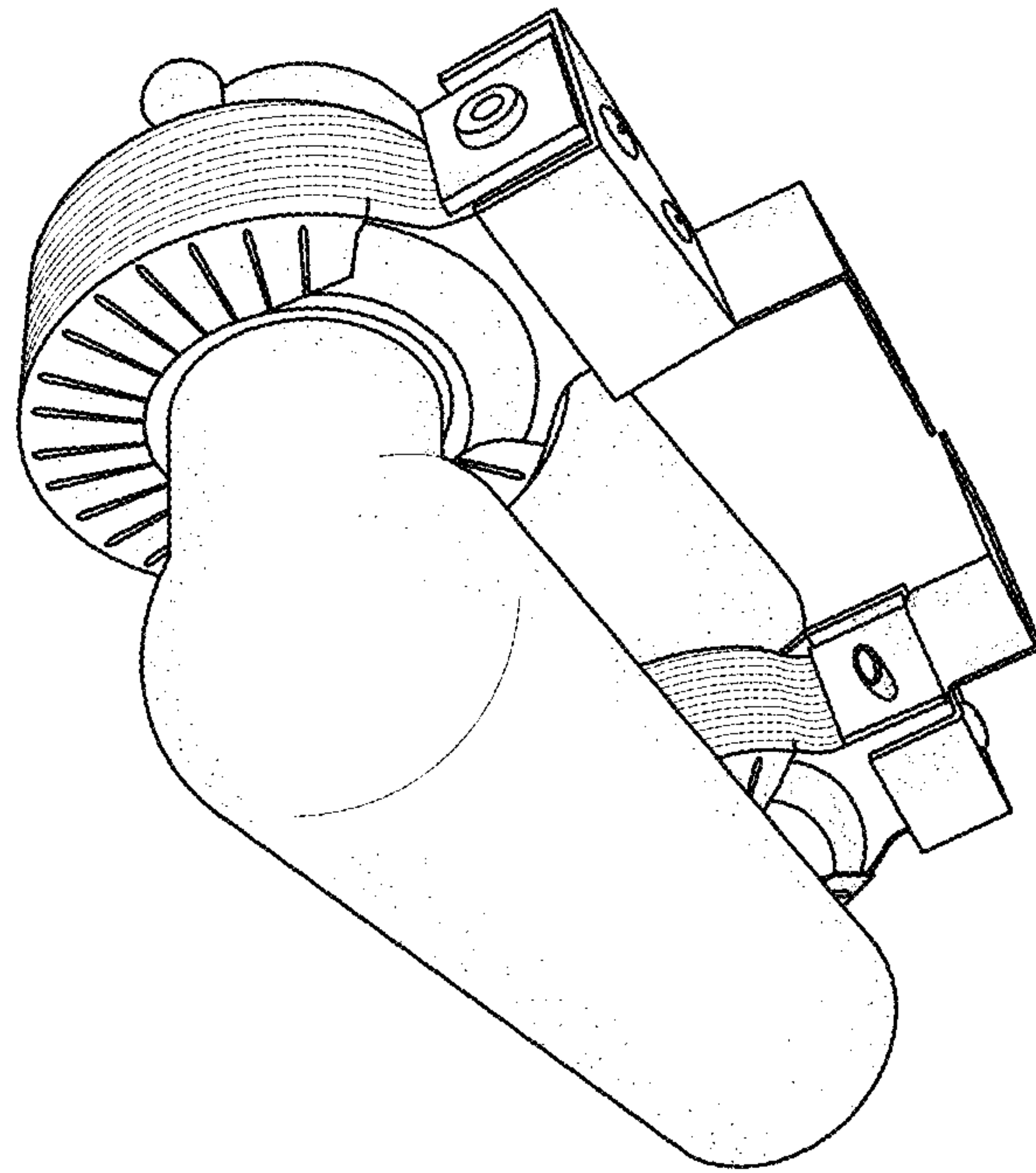


FIG. 5