



US00D716472S

(12) **United States Design Patent**  
**Wysock et al.**

(10) **Patent No.:** **US D716,472 S**  
(45) **Date of Patent:** **\*\* Oct. 28, 2014**

- (54) **DOOR FACING**
- (71) Applicant: **Masonite Corporation**, Tampa, FL (US)
- (72) Inventors: **Gregory J. Wysock**, Sycamore, IL (US);  
**Timothy D. Gouge**, Elgin, IL (US);  
**Patrick Ege**, Elmhurst, IL (US)
- (73) Assignee: **Masonite Corporation**, Tampa, FL (US)
- (\*\*) Term: **14 Years**
- (21) Appl. No.: **29/471,192**
- (22) Filed: **Oct. 29, 2013**
- (51) **LOC (10) Cl.** ..... **25-02**
- (52) **U.S. Cl.**  
USPC ..... **D25/48.3**
- (58) **Field of Classification Search**  
USPC ..... D25/48.3; 52/455, 458, 784.13; 49/504  
See application file for complete search history.

(56) **References Cited**

U.S. PATENT DOCUMENTS

|              |    |   |         |                 |       |          |
|--------------|----|---|---------|-----------------|-------|----------|
| D530,431     | S  | * | 10/2006 | Walsh et al.    | ..... | D25/48.3 |
| D607,579     | S  | * | 1/2010  | Walsh et al.    | ..... | D25/48.3 |
| D616,109     | S  | * | 5/2010  | Steiber et al.  | ..... | D25/48.3 |
| D617,005     | S  | * | 6/2010  | Mullet          | ..... | D25/48.3 |
| 2011/0036036 | A1 | * | 2/2011  | Thompson et al. | ..... | 52/455   |
| 2011/0107703 | A1 | * | 5/2011  | Mullet          | ..... | 52/455   |

\* cited by examiner

*Primary Examiner* — Doris Clark

(74) *Attorney, Agent, or Firm* — Berenato & White, LLC

(57) **CLAIM**  
The ornamental design for a door facing, as shown and described.

**DESCRIPTION**

FIG. 1 is a front perspective view of our design;  
FIG. 2 is a front elevational view;

FIG. 3 is an enlarged fragmentary elevational view of a portion of FIG. 2;  
FIG. 4 is a rear elevational view;  
FIG. 5 is a top plan view;  
FIG. 6 is a bottom plan view;  
FIG. 7 is a cross sectional view taken along the line 7-7 of FIG. 2;  
FIG. 8 is an enlarged fragmentary cross sectional view of a portion of FIG. 7;  
FIG. 9 is a left side elevational view;  
FIG. 10 is a right side elevational view;  
FIG. 11 is a cross sectional view taken along the line 11-11 of FIG. 2;  
FIG. 12 is an enlarged fragmentary cross sectional view of a portion of FIG. 11;  
FIG. 13 is a front perspective view of a second embodiment of our design;  
FIG. 14 is a front elevational view of FIG. 13;  
FIG. 15 is an enlarged fragmentary elevational view of a portion of FIG. 14;  
FIG. 16 is a rear elevational view of FIG. 13;  
FIG. 17 is a top plan view of FIG. 14;  
FIG. 18 is a bottom plan view of FIG. 14;  
FIG. 19 is a cross sectional view taken along the line 19-19 of FIG. 14;  
FIG. 20 is an enlarged fragmentary cross sectional view of a portion of FIG. 19;  
FIG. 21 is a left side elevational view of FIG. 14;  
FIG. 22 is a right side elevational view of FIG. 14;  
FIG. 23 is a cross sectional view taken along the line 23-23 of FIG. 14; and,  
FIG. 24 is an enlarged fragmentary cross sectional view of a portion of FIG. 23.

**1 Claim, 14 Drawing Sheets**

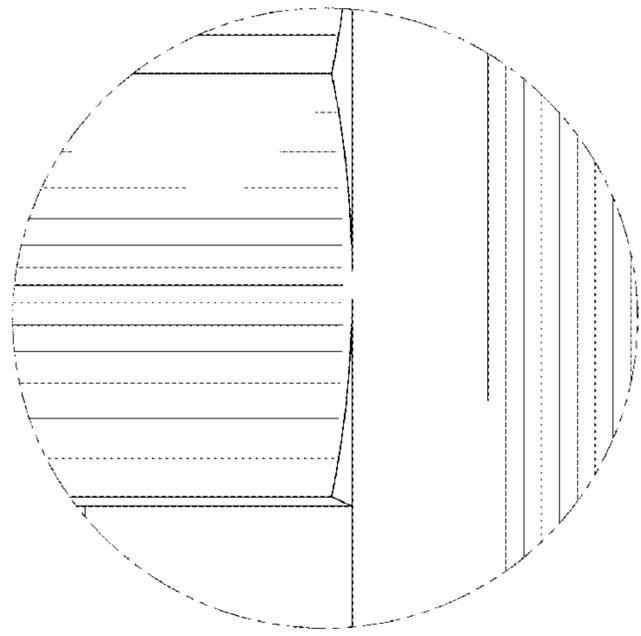


Fig. 1

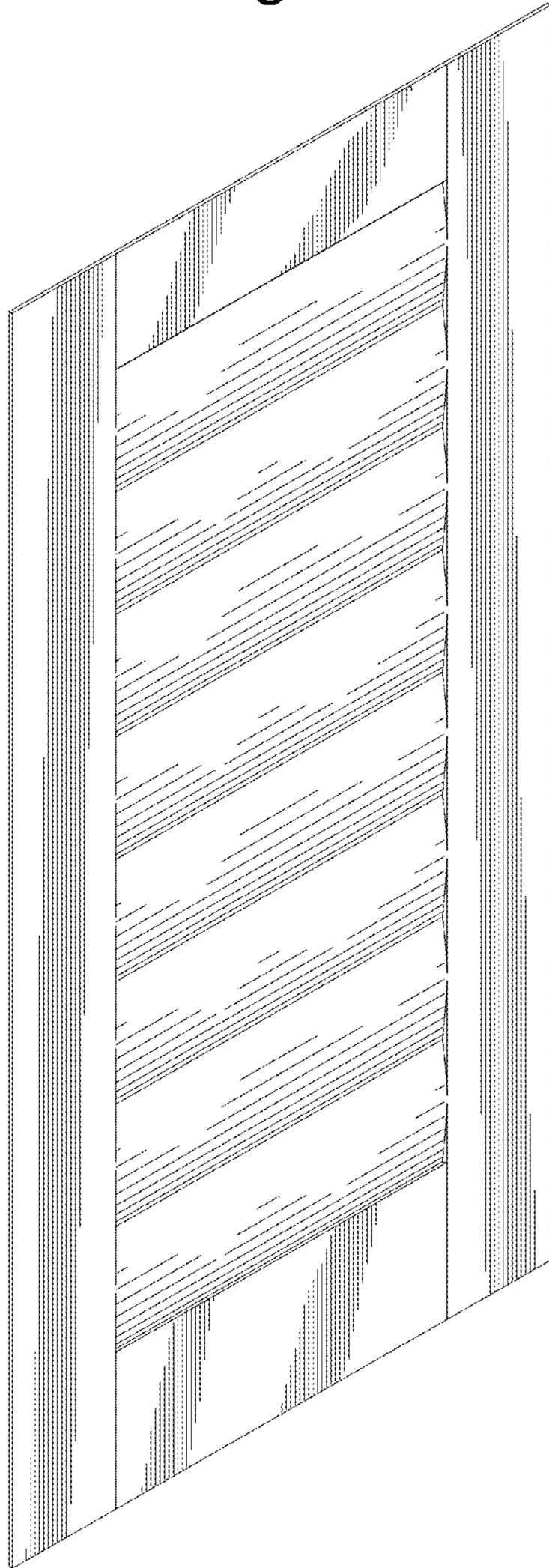


Fig. 2

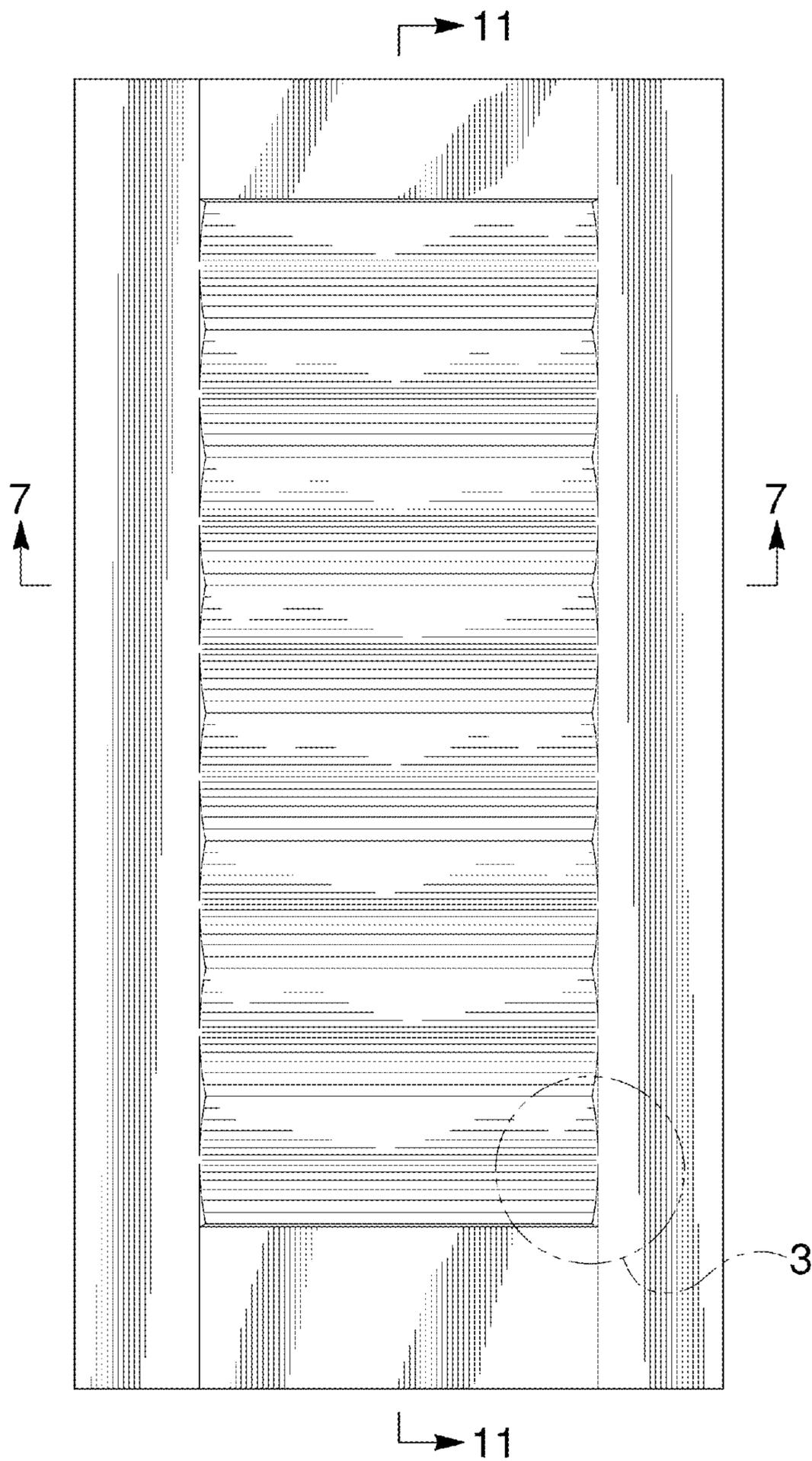


Fig. 3

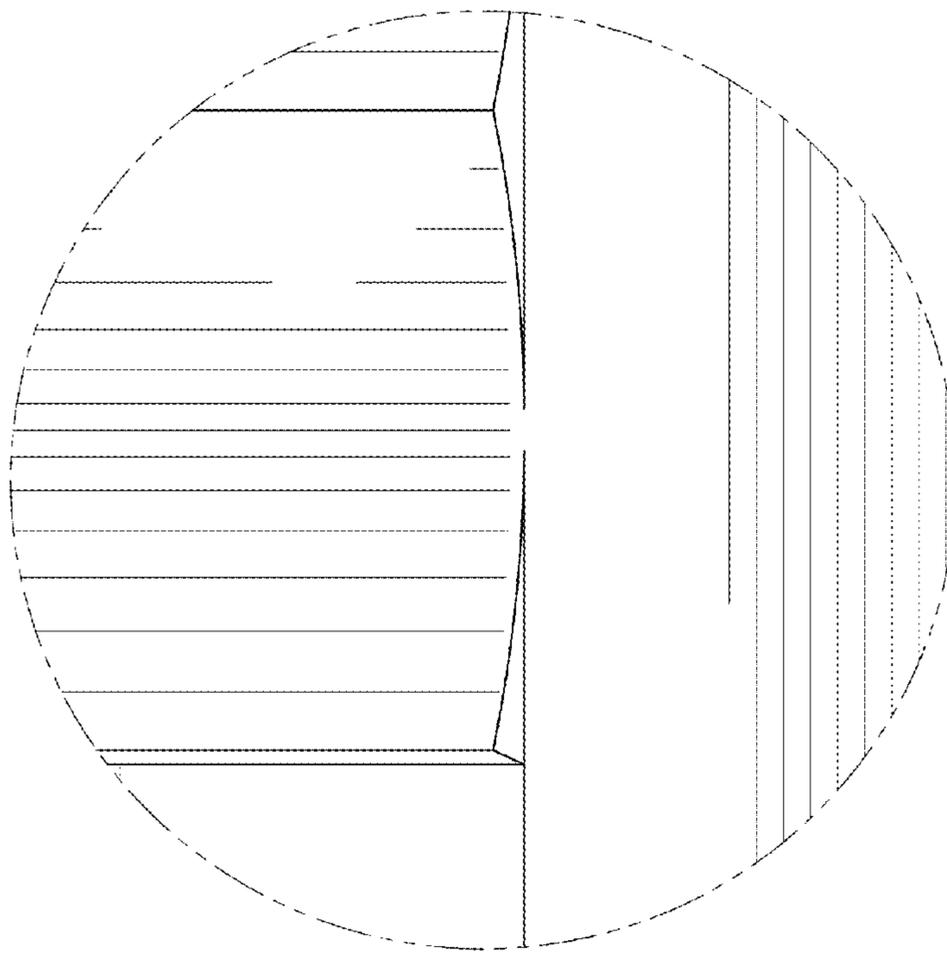


Fig. 4

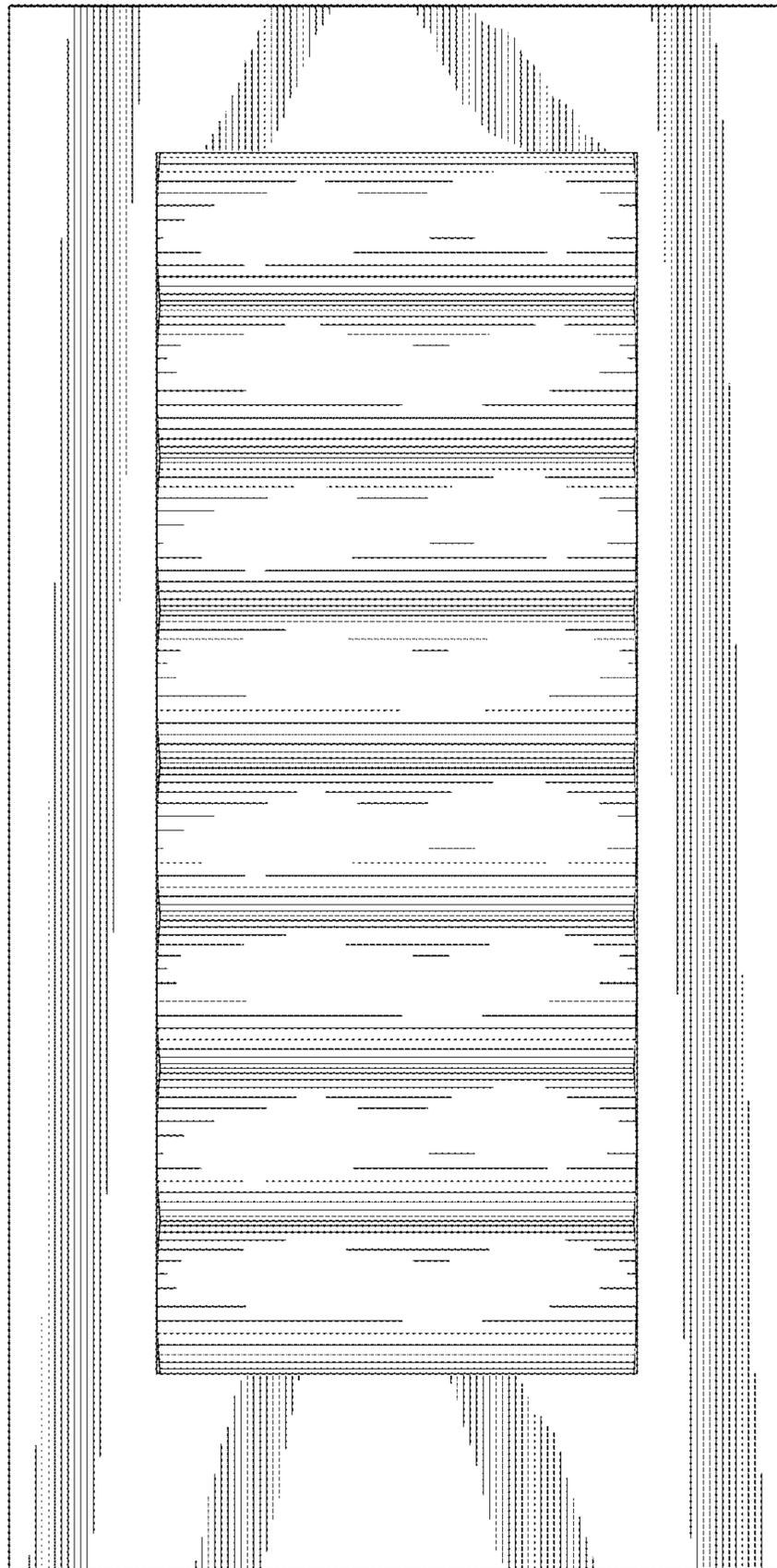


Fig. 5

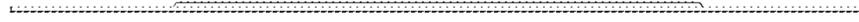


Fig. 6

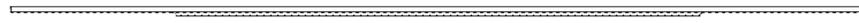


Fig. 7



Fig. 8

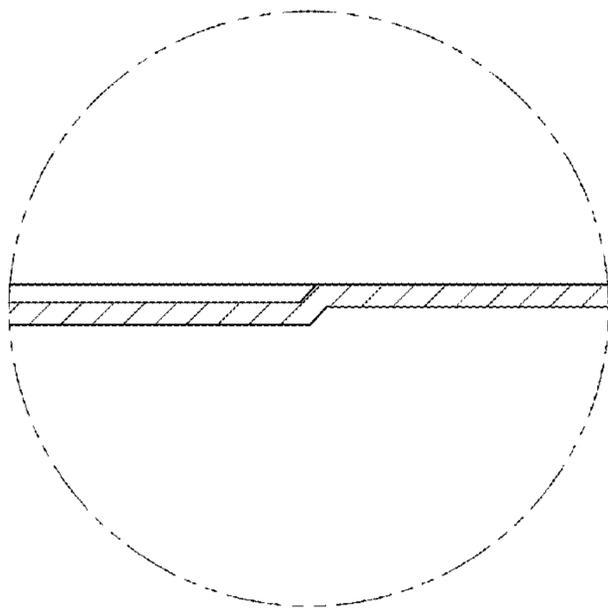


Fig. 9



Fig. 10



Fig. 11

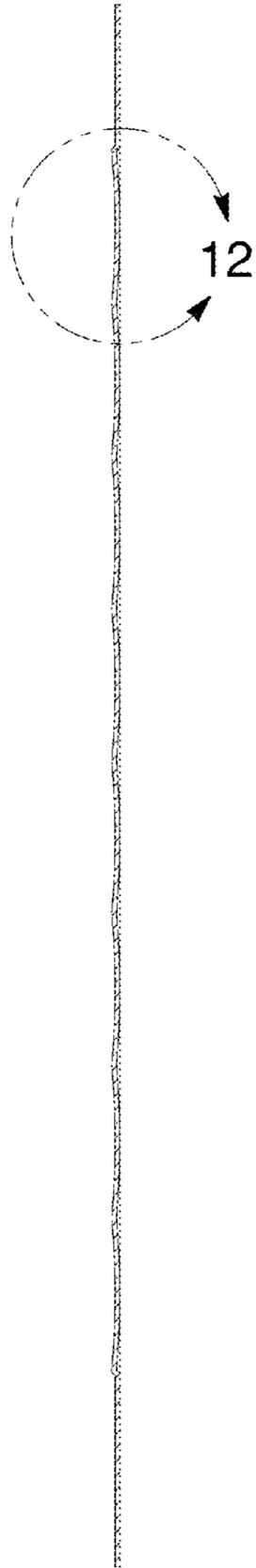


Fig. 12

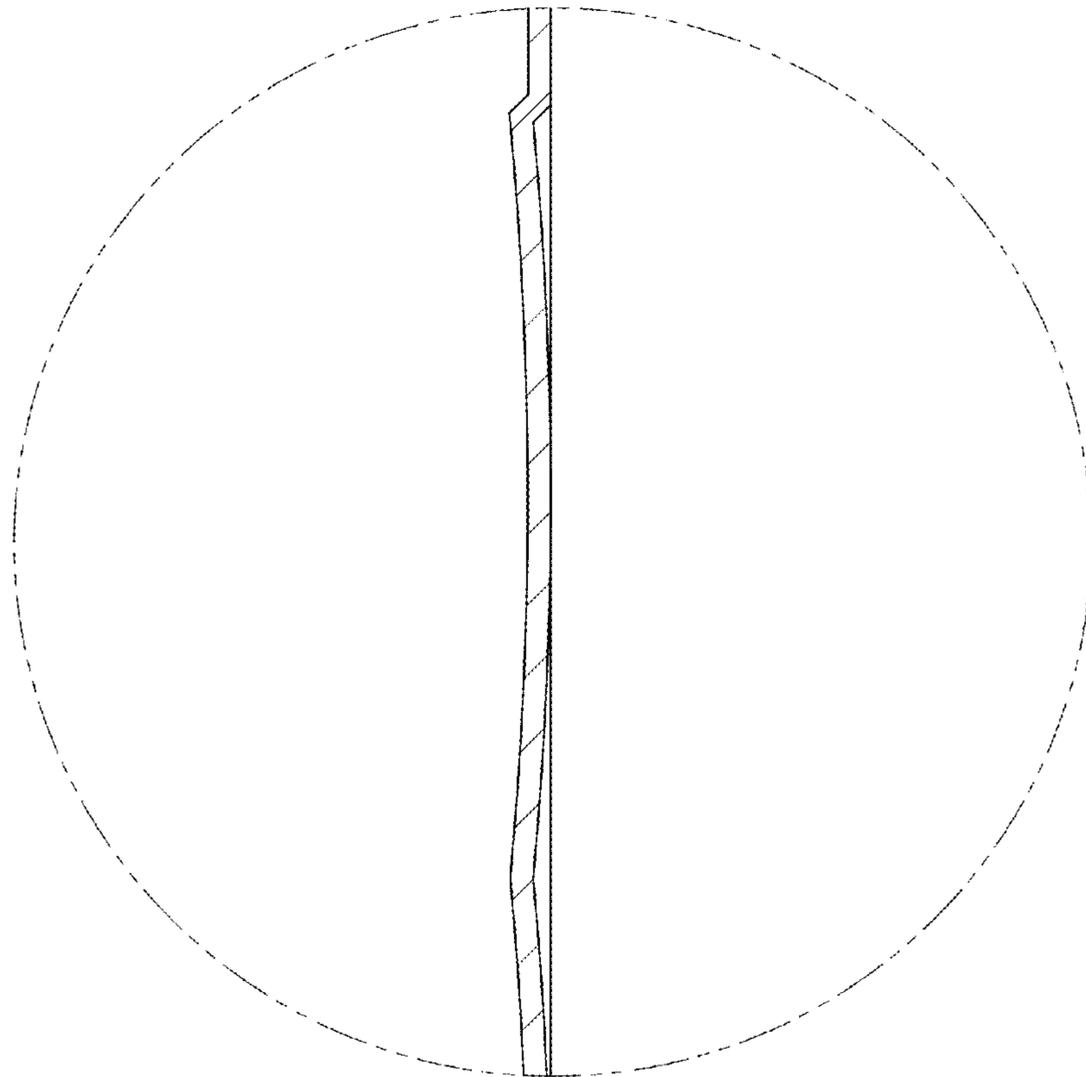




Fig. 13

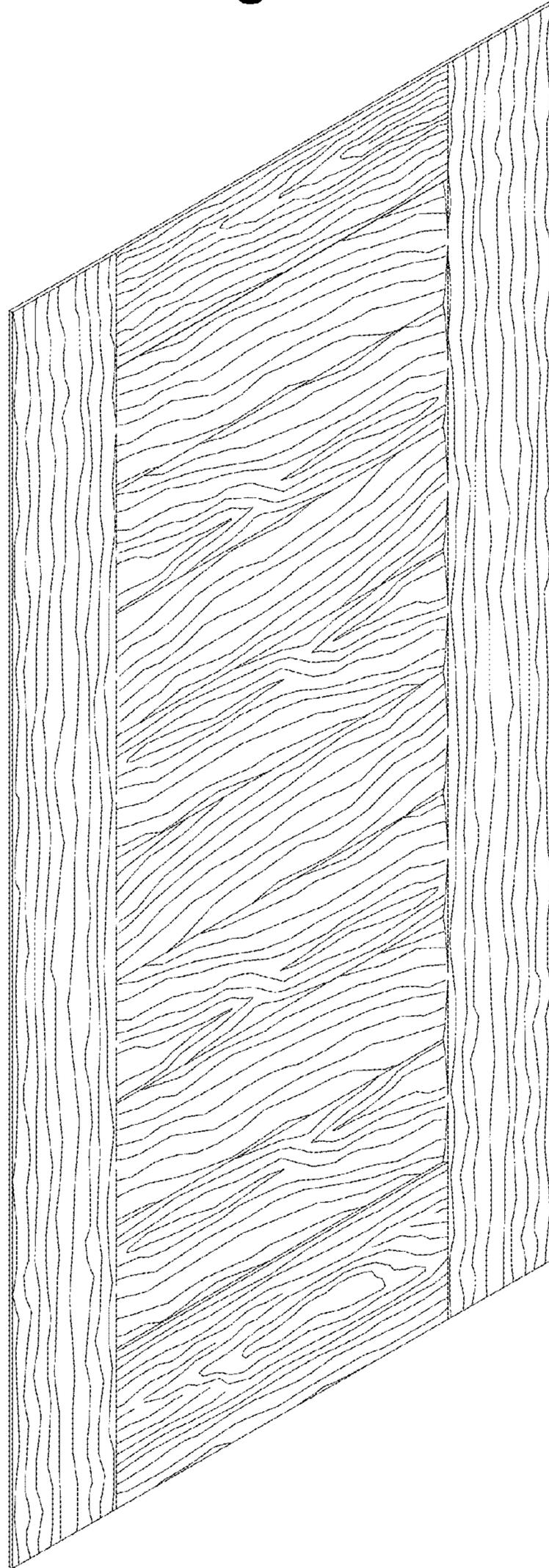


Fig. 14

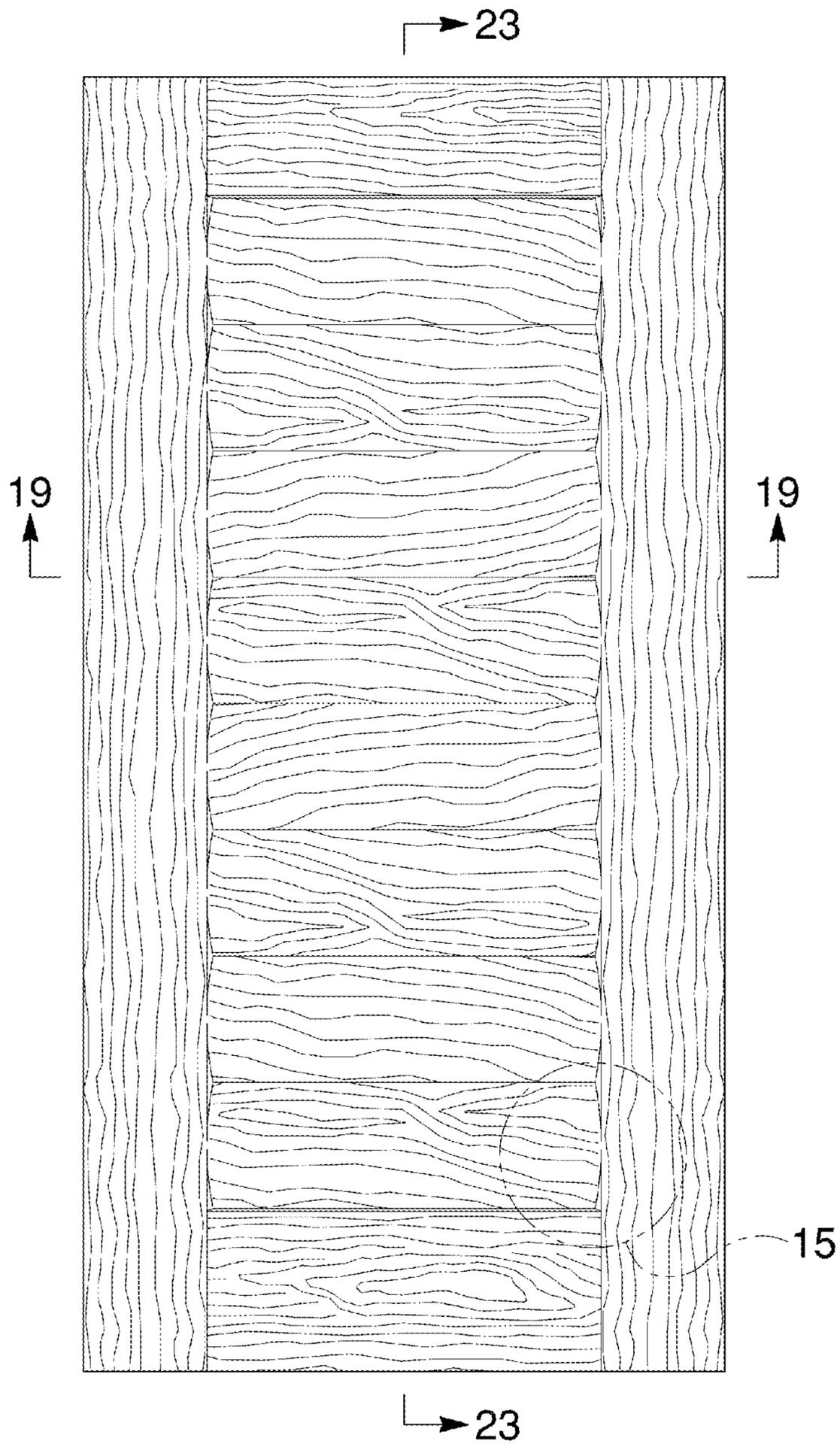


Fig. 15

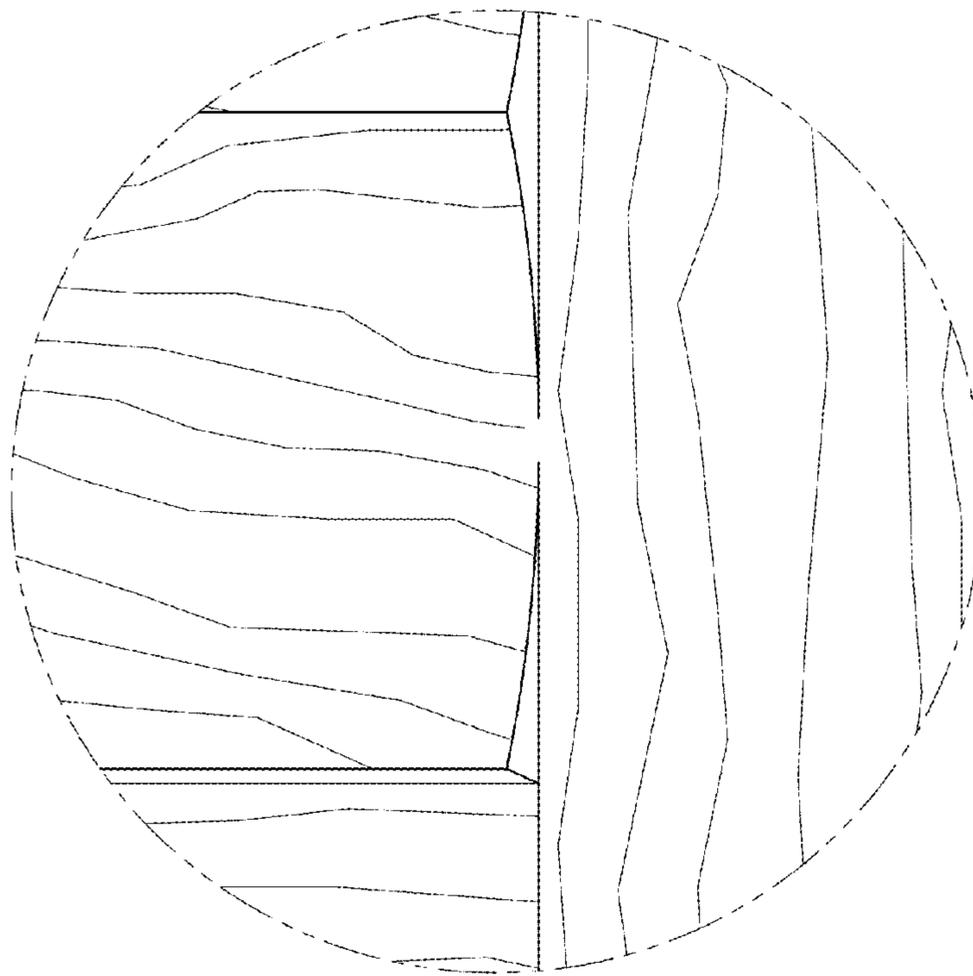


Fig. 16

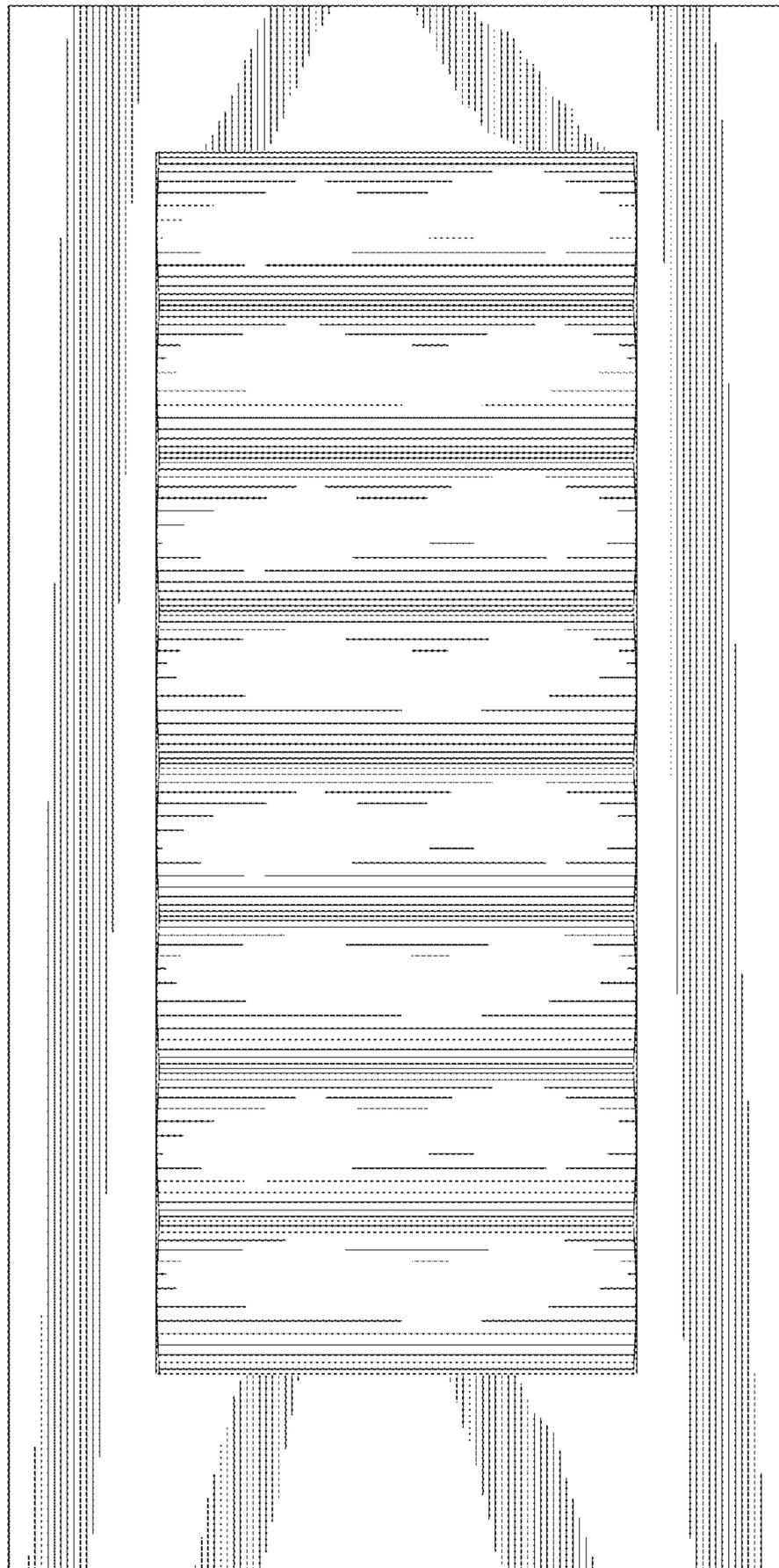


Fig. 17



Fig. 18

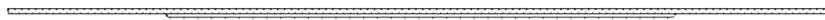


Fig. 19



Fig. 20

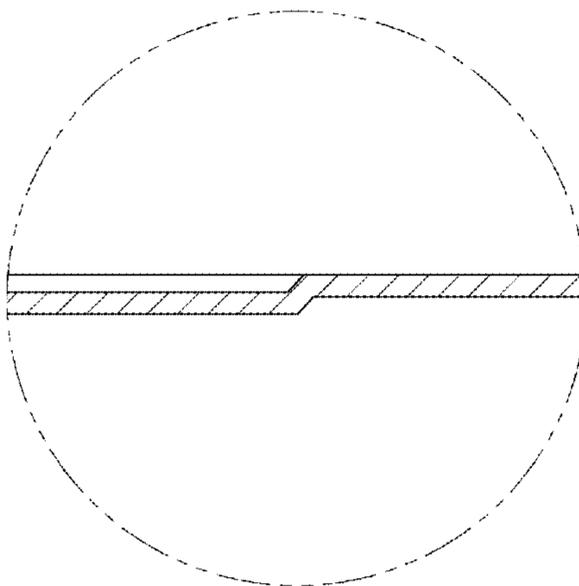


Fig. 21



Fig. 22



Fig. 23

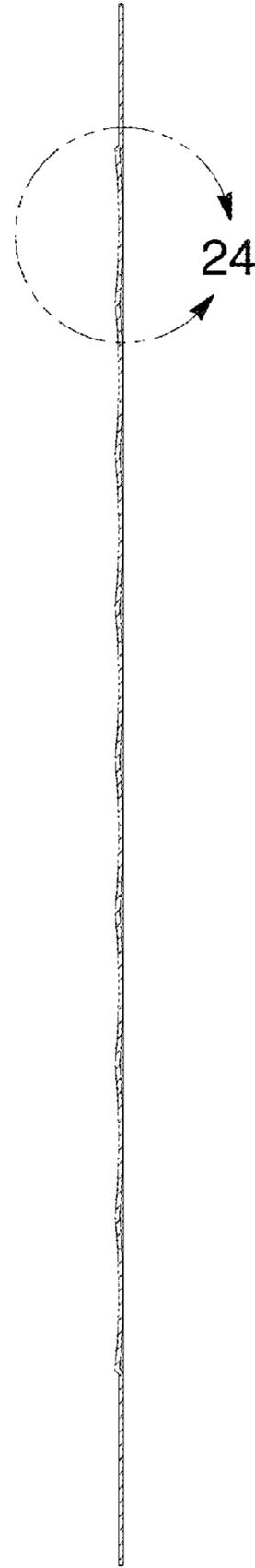


Fig. 24

