



US00D716469S

(12) **United States Design Patent**
Muraoka et al.

(10) **Patent No.:** **US D716,469 S**

(45) **Date of Patent:** **** Oct. 28, 2014**

(54) **MACHINE FOR ANALYZING BIOLOGICAL MATERIAL**

D655,822 S * 3/2012 Oonuma et al. D24/216
D685,493 S * 7/2013 Sato et al. D24/216
2002/0025275 A1 * 2/2002 Oonuma et al. 422/64
2010/0210019 A1 * 8/2010 Kurono et al. 436/8

(71) Applicant: **Shimadzu Corporation**, Kyoto (JP)

* cited by examiner

(72) Inventors: **Hiroshi Muraoka**, Kyoto (JP); **Daisuke Kawakami**, Kyoto (JP)

Primary Examiner — Anhdao Doan

(73) Assignee: **Shimadzu Corporation**, Kyoto (JP)

(74) *Attorney, Agent, or Firm* — Jianq Chyun IP Office

(**) Term: **14 Years**

(57) **CLAIM**

(21) Appl. No.: **29/477,219**

The ornamental design for a machine for analyzing biological material, as shown and described.

(22) Filed: **Dec. 20, 2013**

DESCRIPTION

(30) **Foreign Application Priority Data**

Sep. 2, 2013 (JP) 2013-020206

(51) **LOC (10) Cl.** **24-01**

(52) **U.S. Cl.**
USPC **D24/216**

(58) **Field of Classification Search**
USPC D24/216, 223, 231, 232, 233, 186, 107;
D10/81, 97; 435/286.1, 286.4, 286.5,
435/287.3; 422/63-67, 509; 73/863.01,
73/863.02, 863.03, 863.31, 863.32
See application file for complete search history.

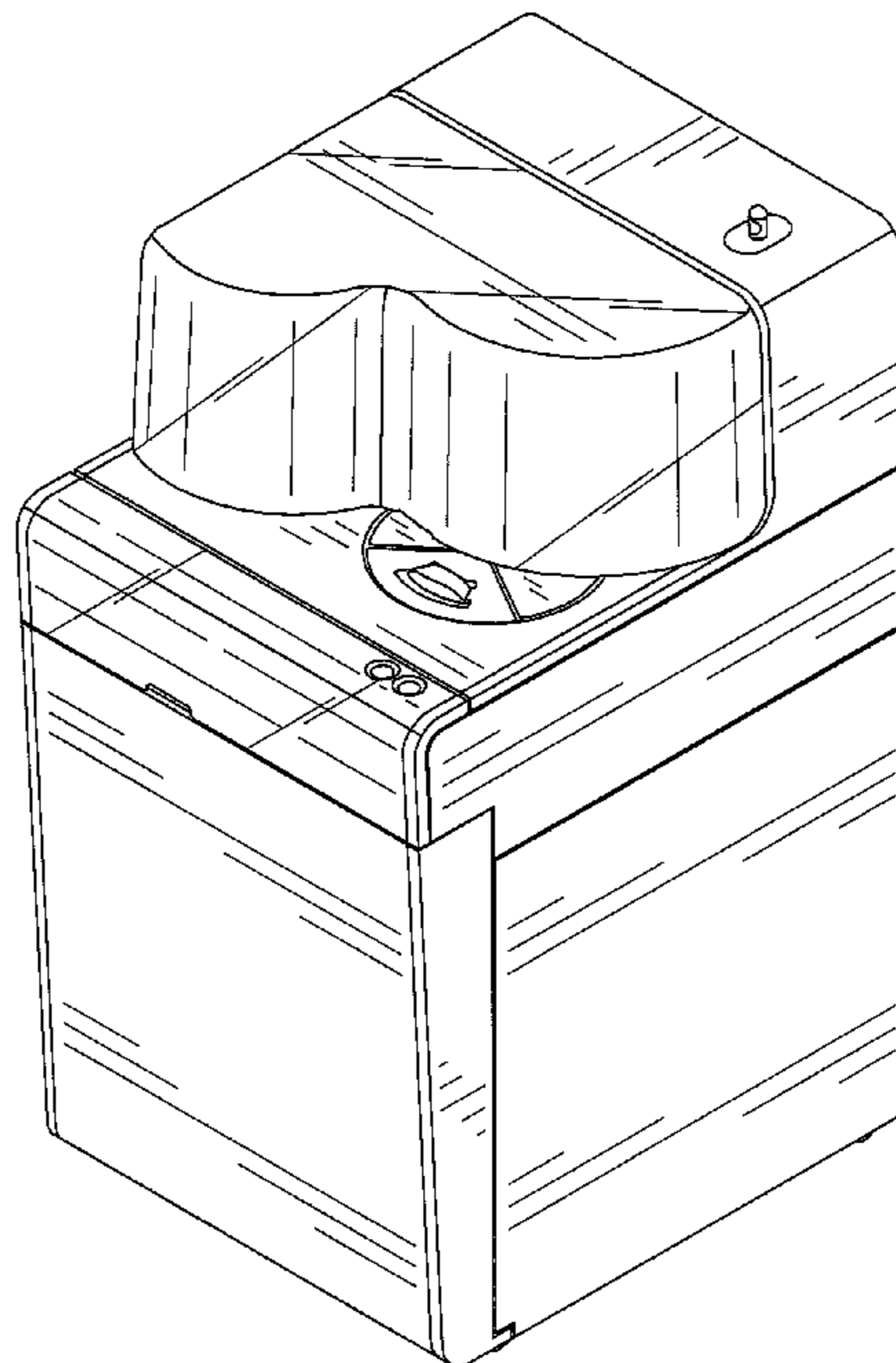
FIG. 1 is a perspective view of a machine for analyzing biological material showing our new design; FIG. 2 is another perspective view thereof; FIG. 3 is a front view thereof; FIG. 4 is a rear view thereof; FIG. 5 is a left side view thereof; FIG. 6 is a right side view thereof; FIG. 7 is a top view thereof; FIG. 8 is a bottom view thereof; FIG. 9 is a perspective view thereof showing the cover opened; FIG. 10 is another perspective view thereof showing the cover opened; FIG. 11 is a front view thereof showing the cover opened; FIG. 12 is a rear view thereof showing the cover opened; FIG. 13 is a left side view thereof showing the cover opened; FIG. 14 is a right side view thereof showing the cover opened; FIG. 15 is a top view thereof showing the cover opened; and, FIG. 16 is a bottom view thereof showing the cover opened.

(56) **References Cited**

U.S. PATENT DOCUMENTS

4,844,887 A * 7/1989 Galle et al. 422/65
5,863,506 A * 1/1999 Farren 422/565
D560,131 S * 1/2008 Hu D10/81
D631,976 S * 2/2011 Oonuma et al. D24/216
D637,730 S * 5/2011 Oonuma et al. D24/216
8,043,560 B2 * 10/2011 Okumoto et al. 422/64

1 Claim, 16 Drawing Sheets



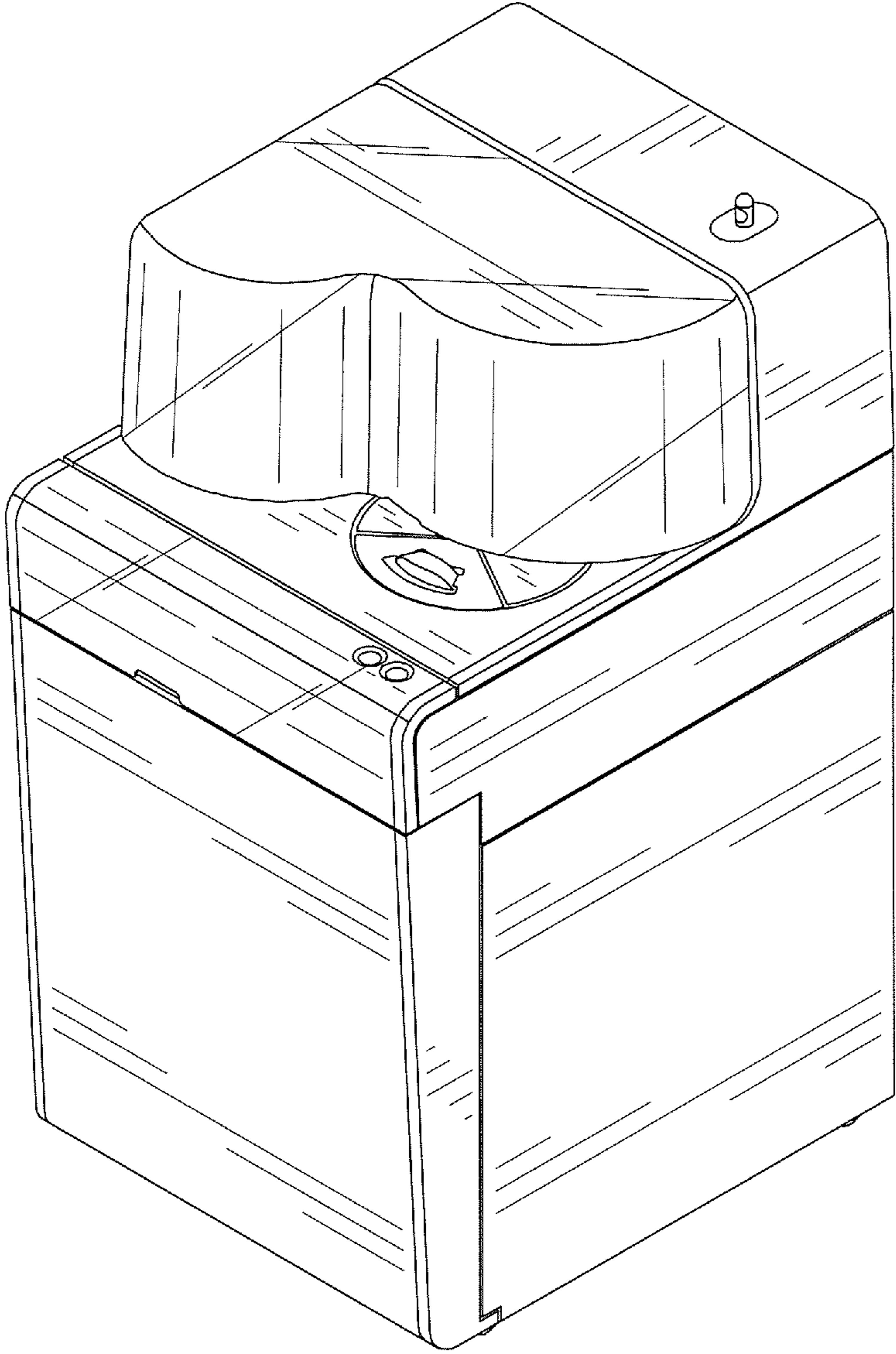


FIG. 1

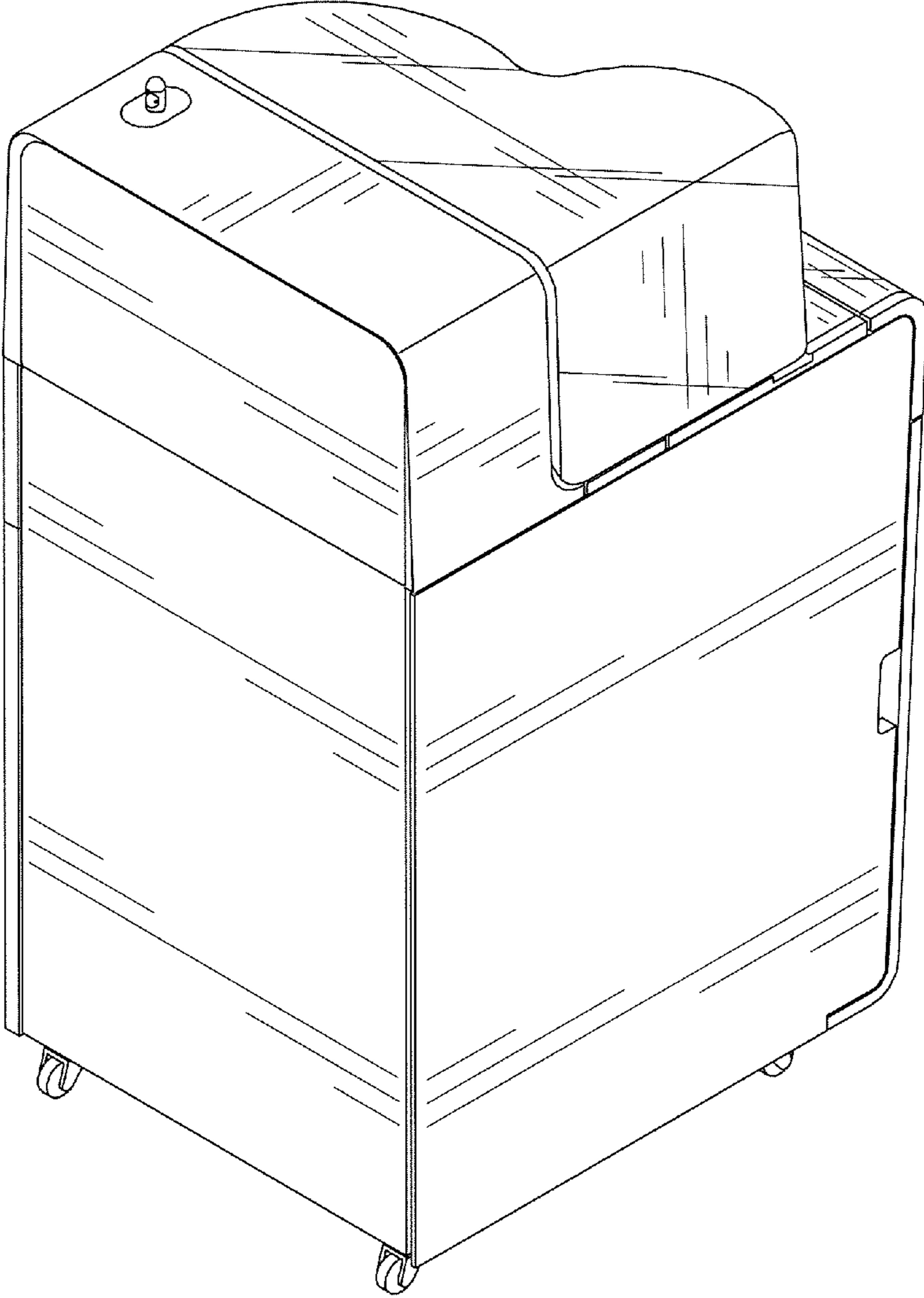


FIG. 2

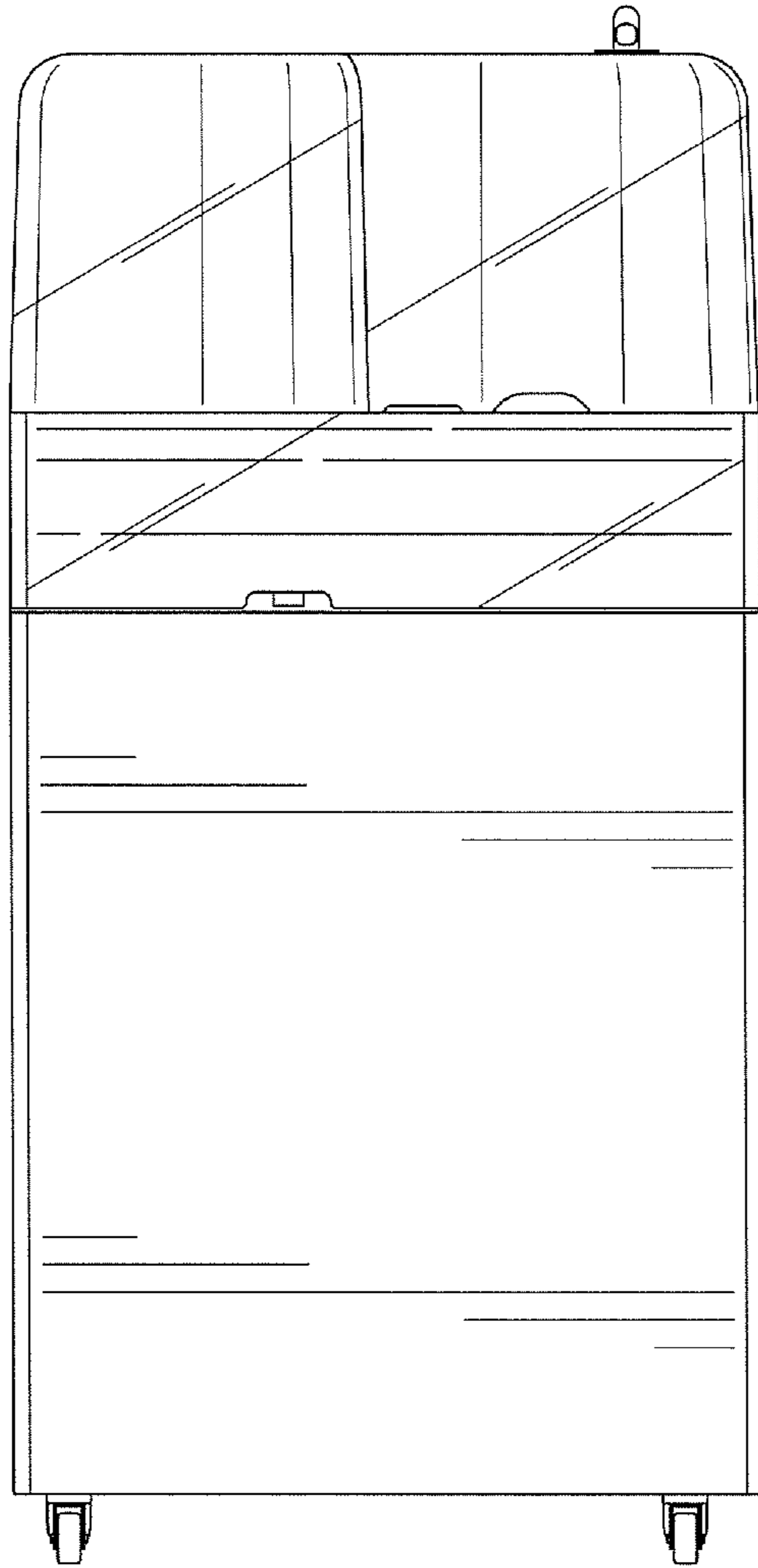


FIG. 3

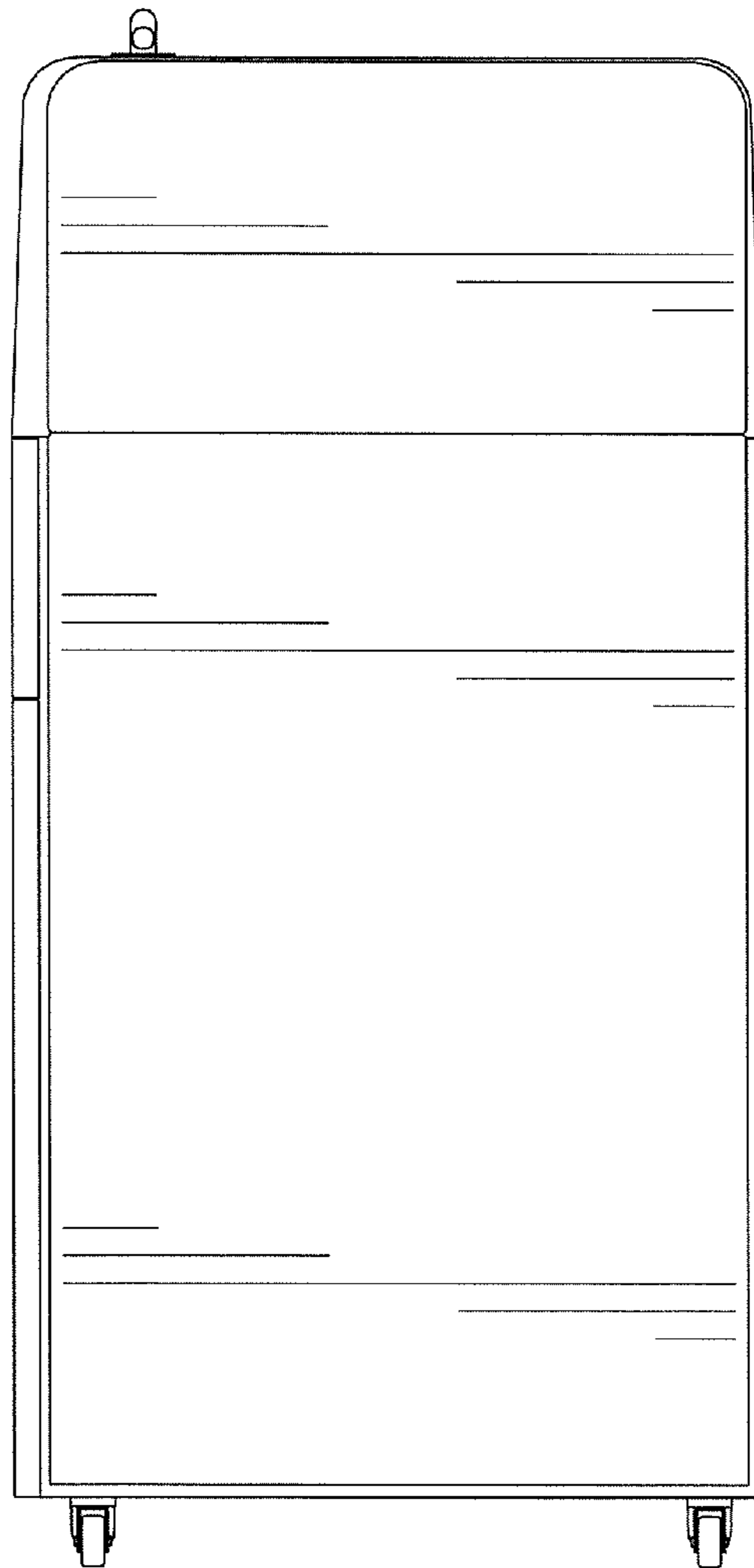


FIG. 4

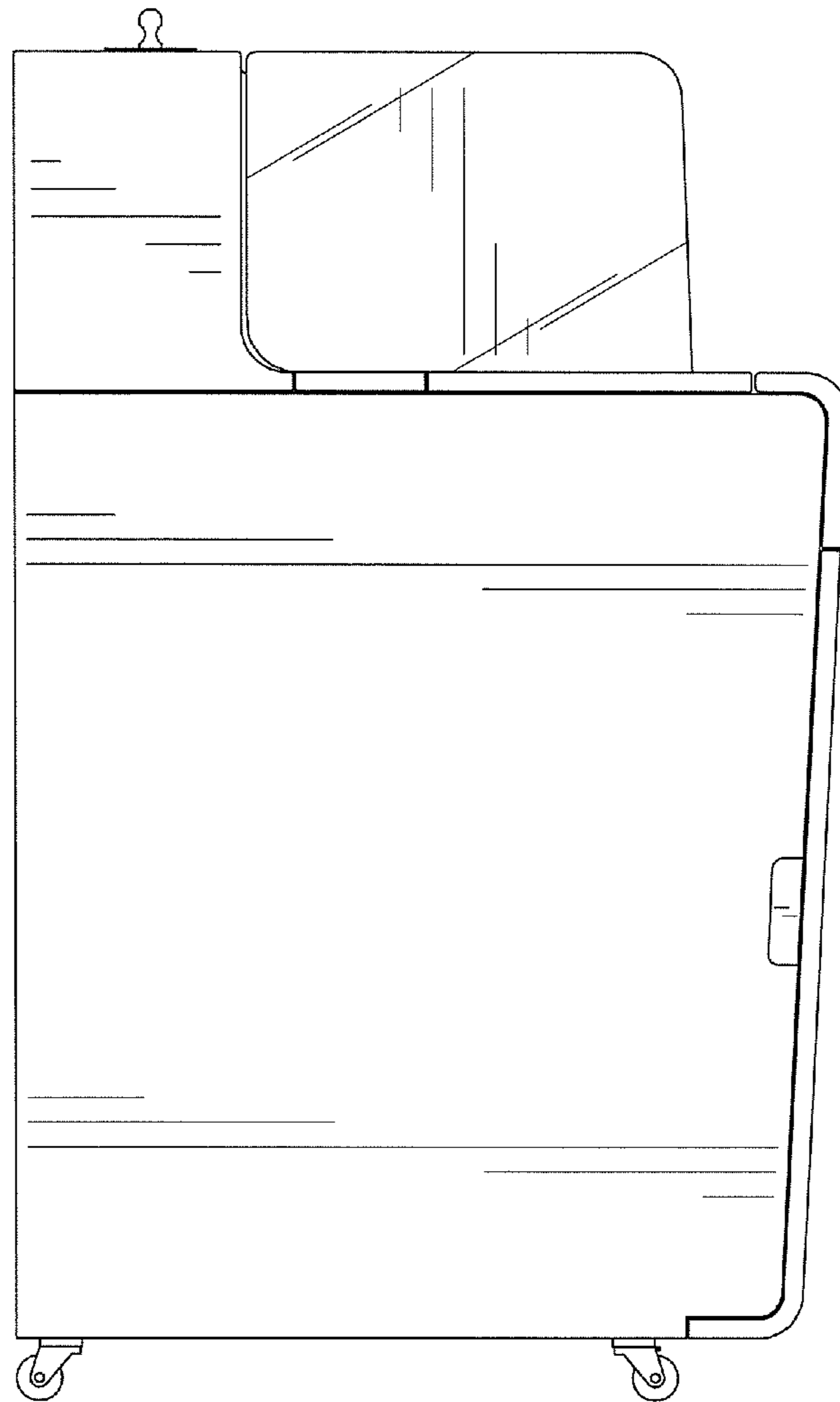


FIG. 5

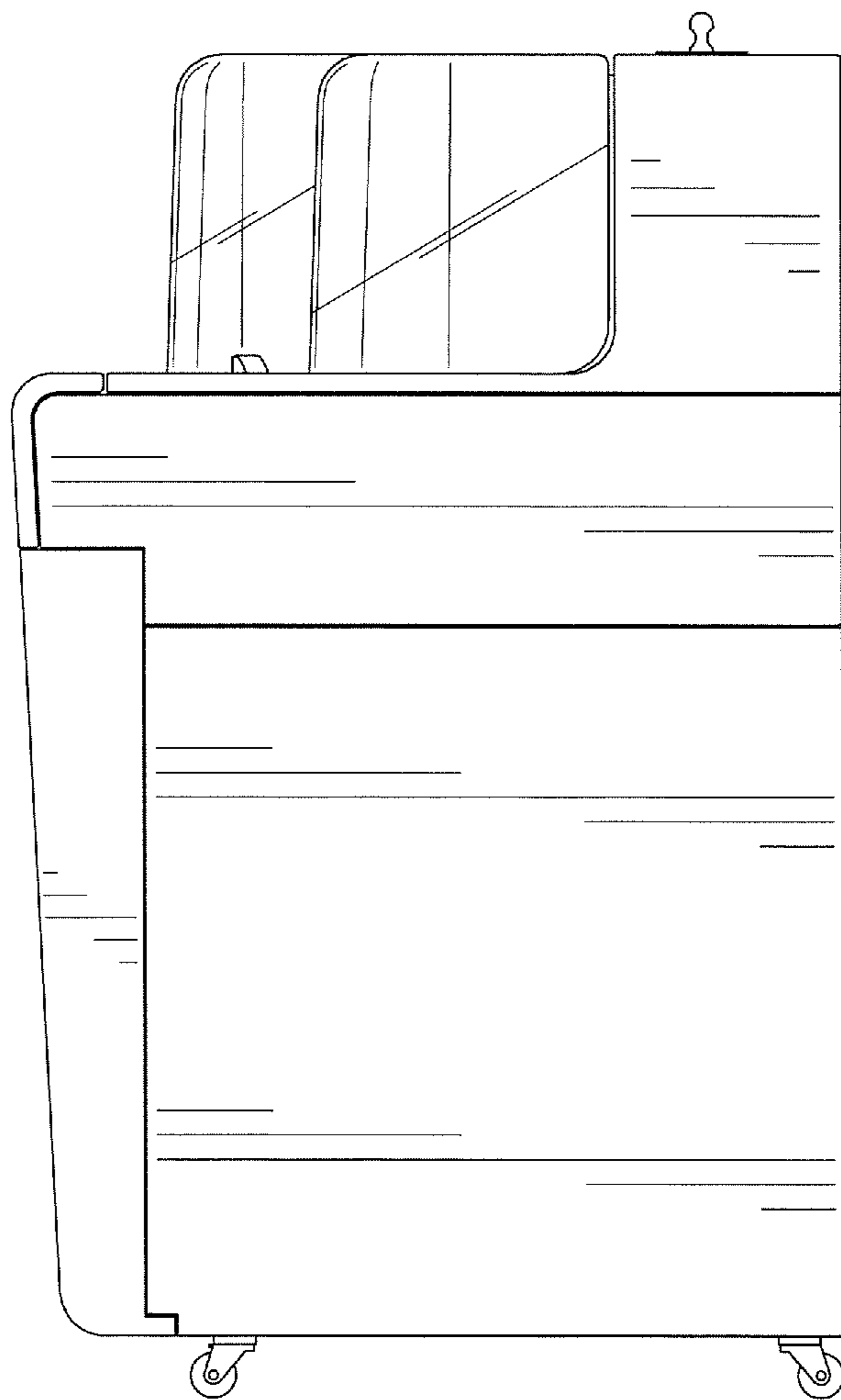


FIG. 6

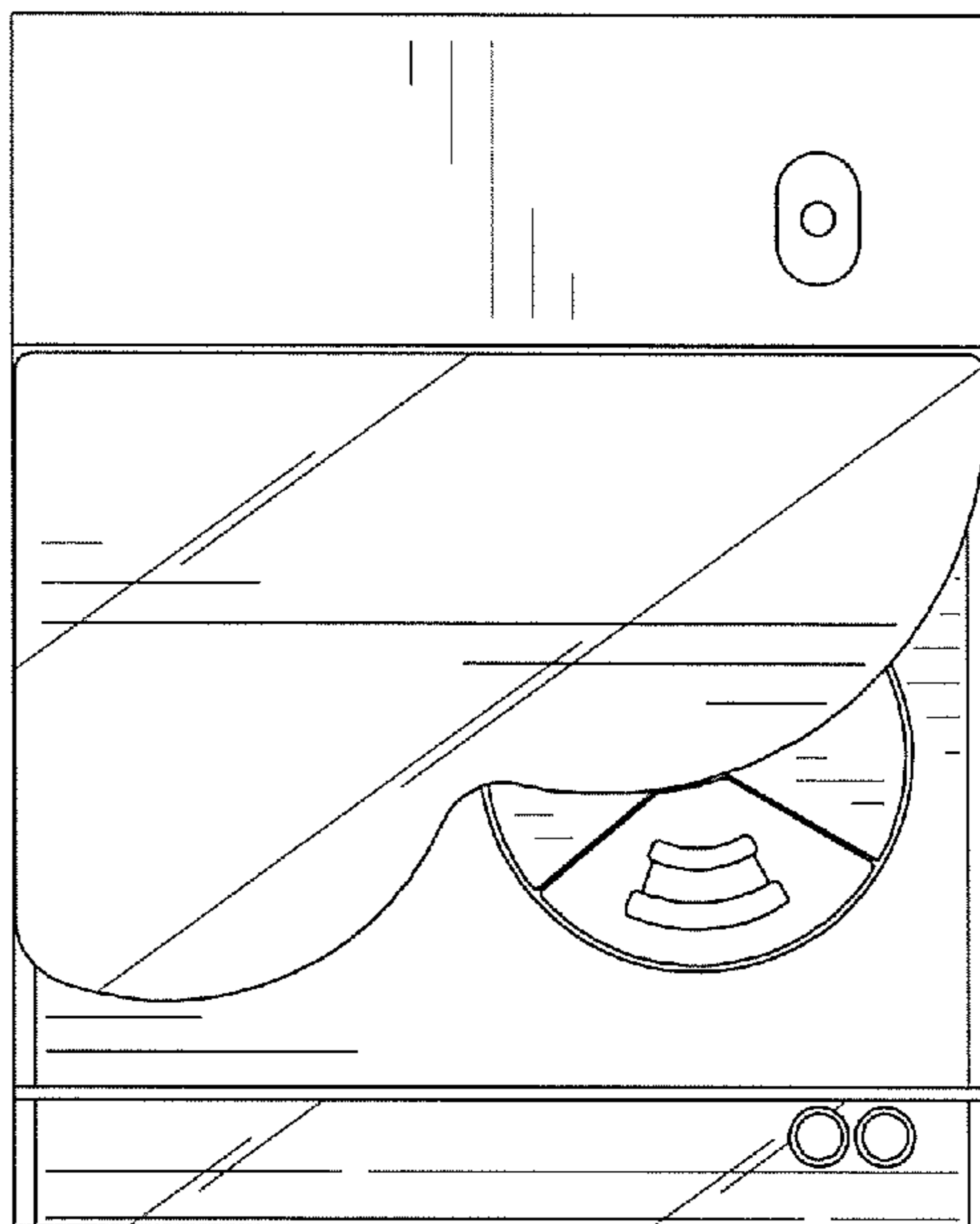


FIG. 7

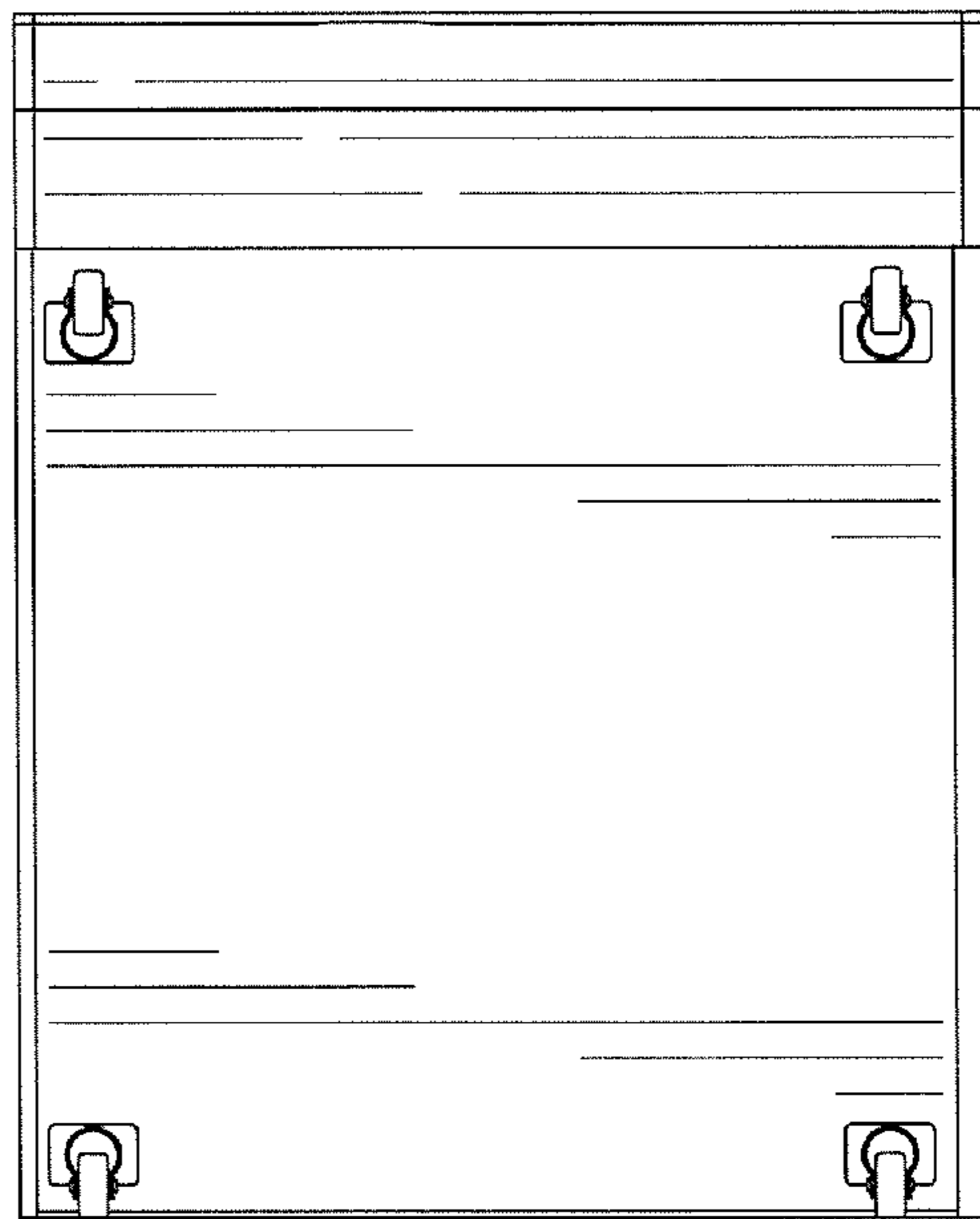


FIG. 8

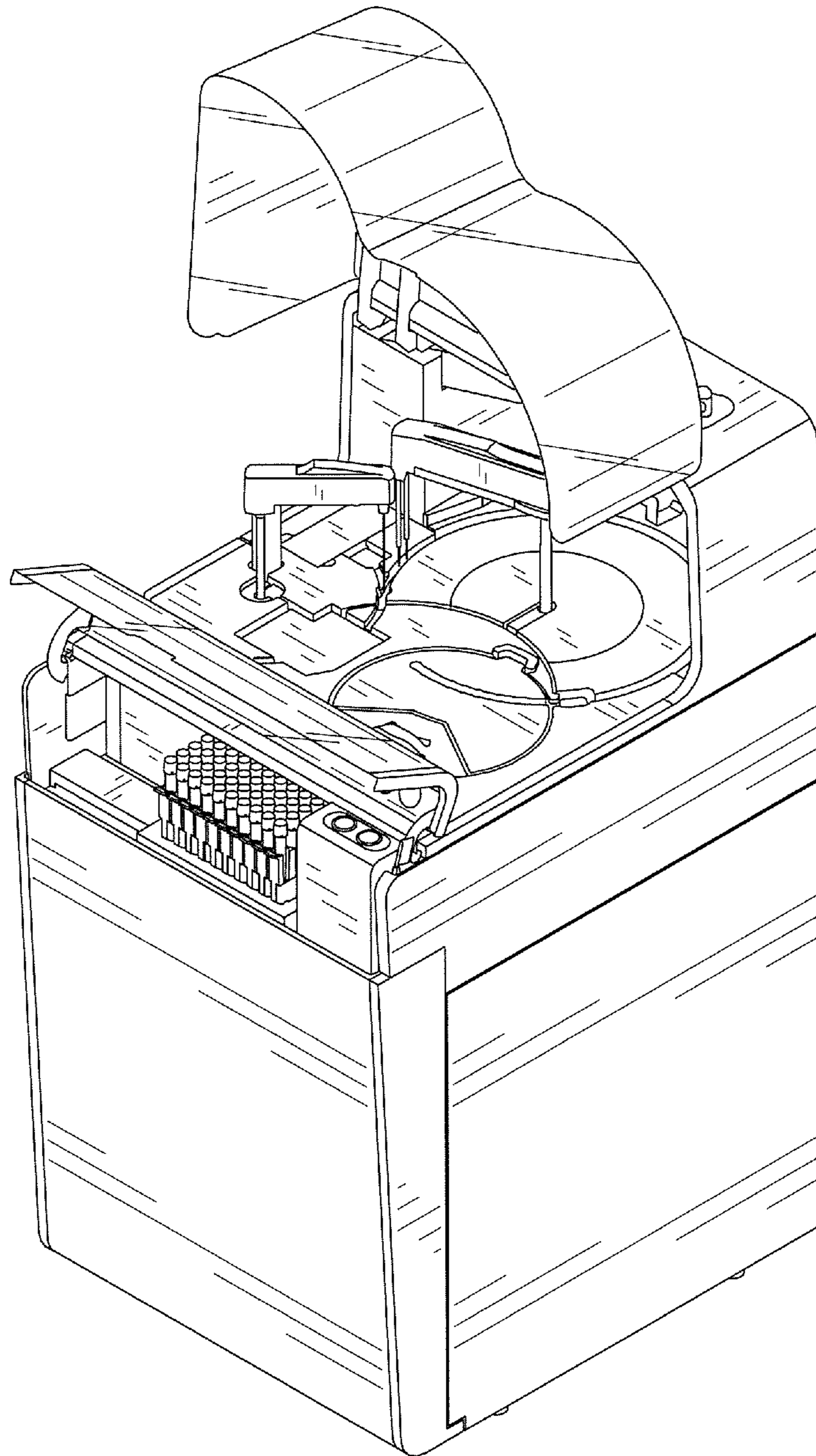


FIG. 9

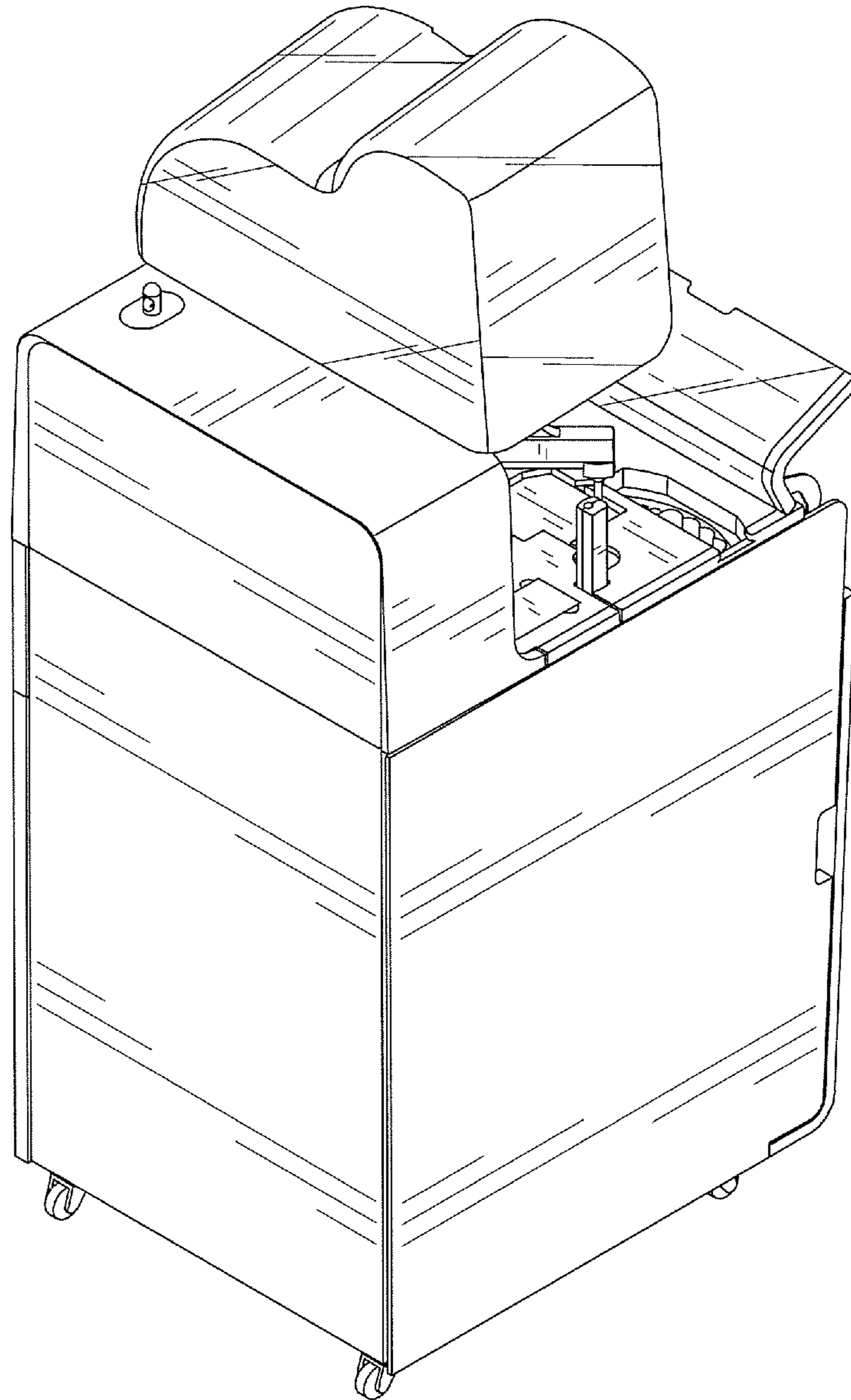


FIG. 10

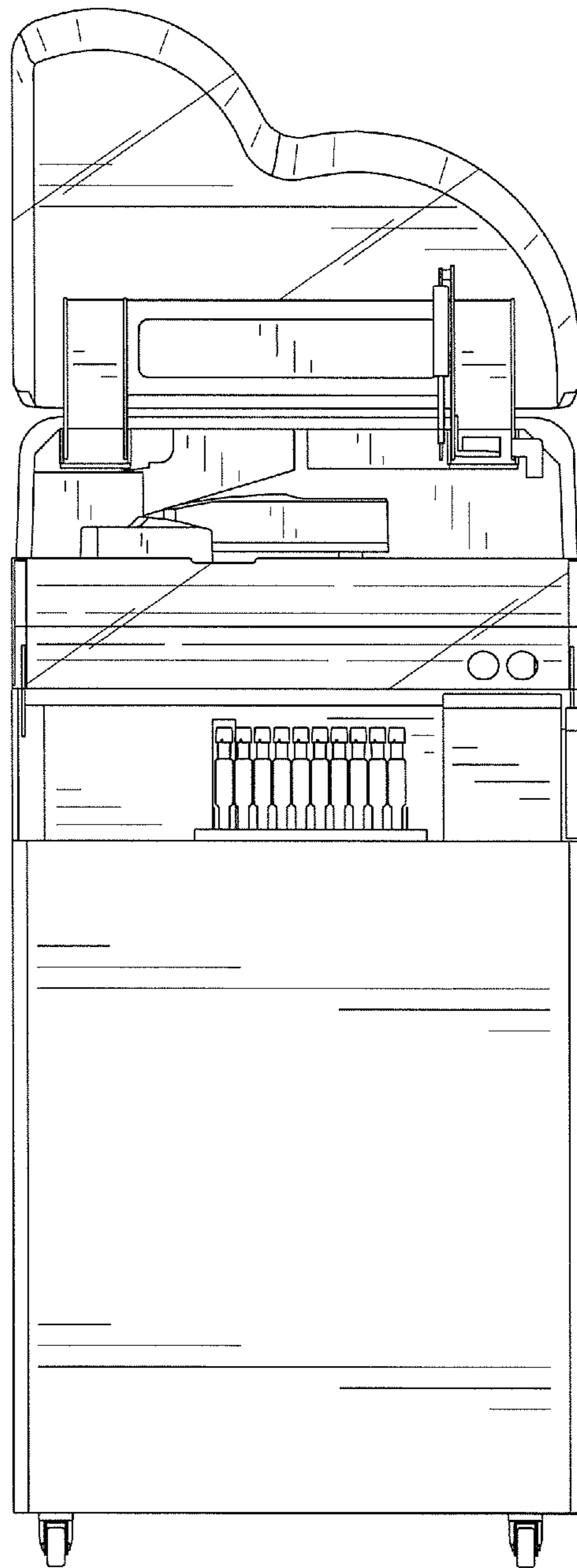


FIG. 11

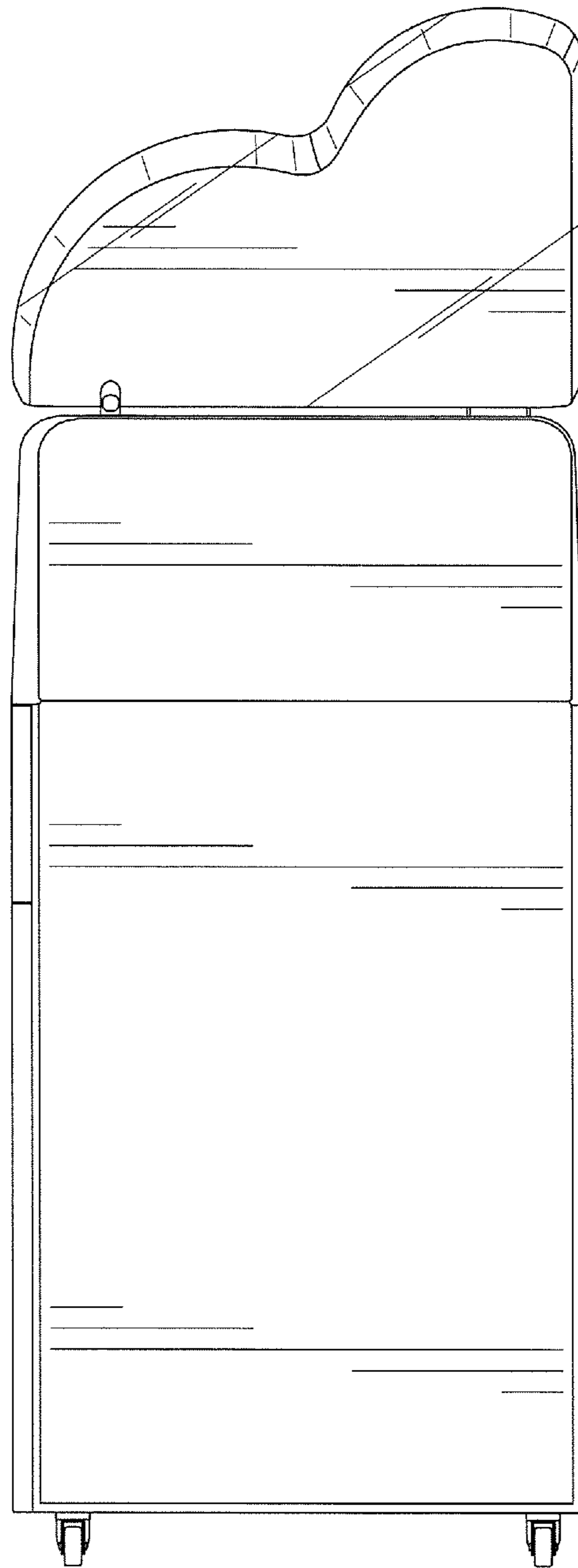


FIG. 12

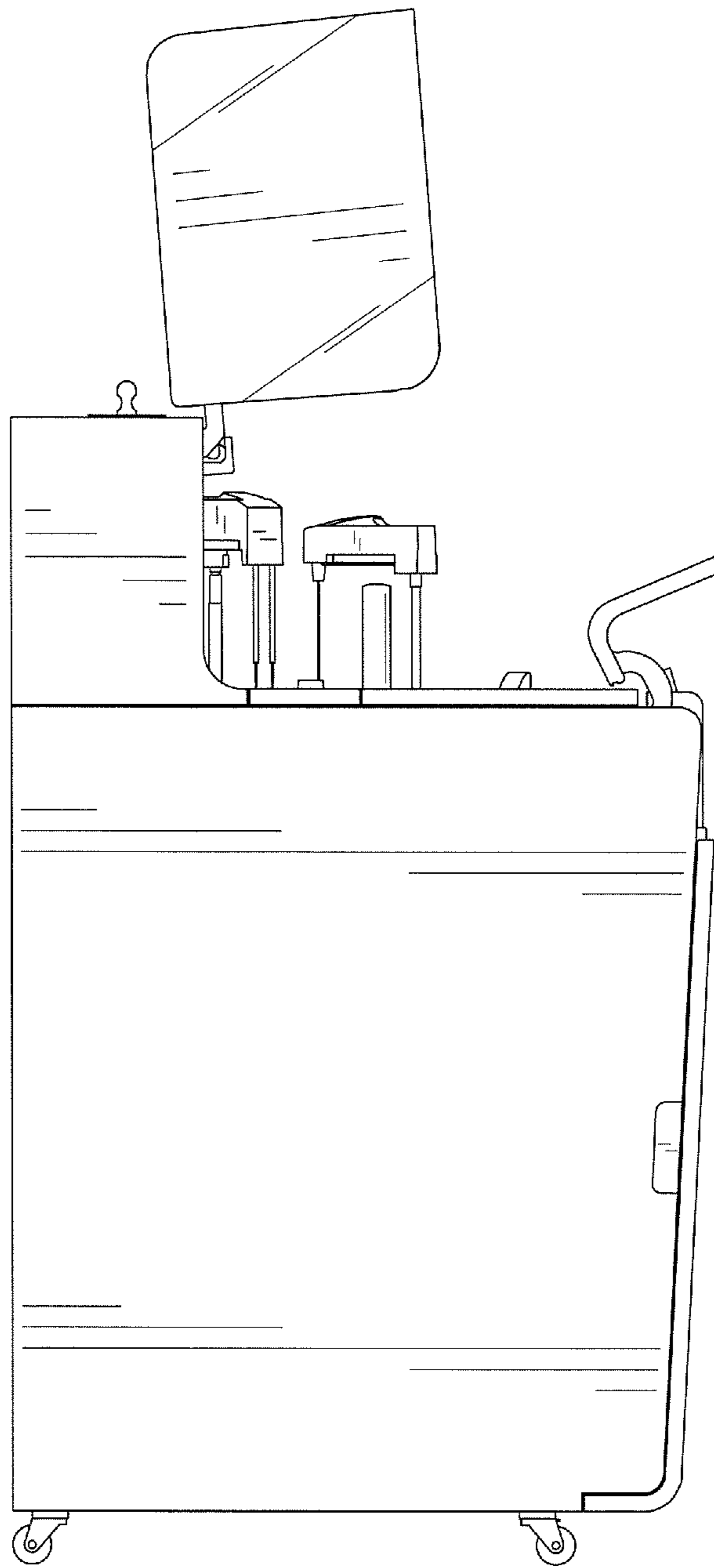


FIG. 13

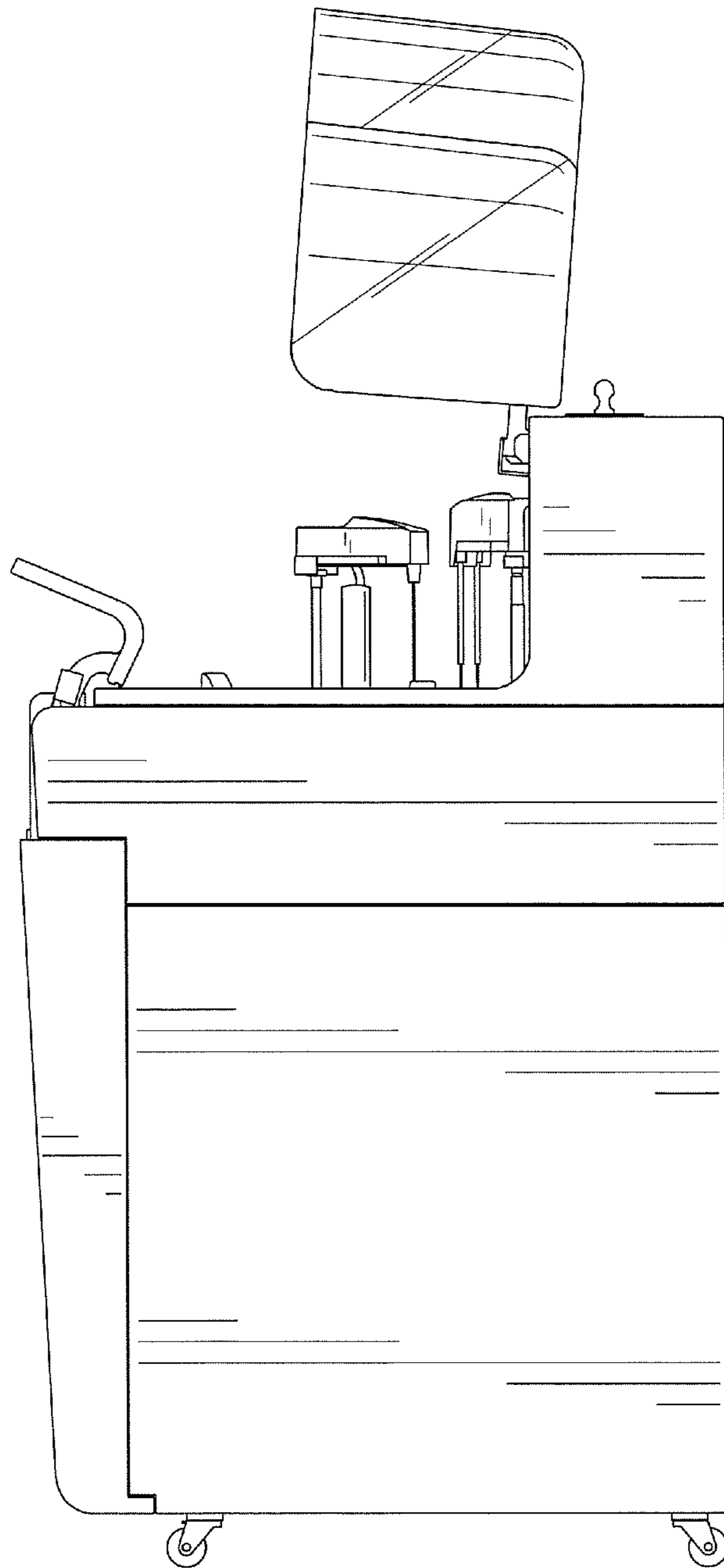


FIG. 14

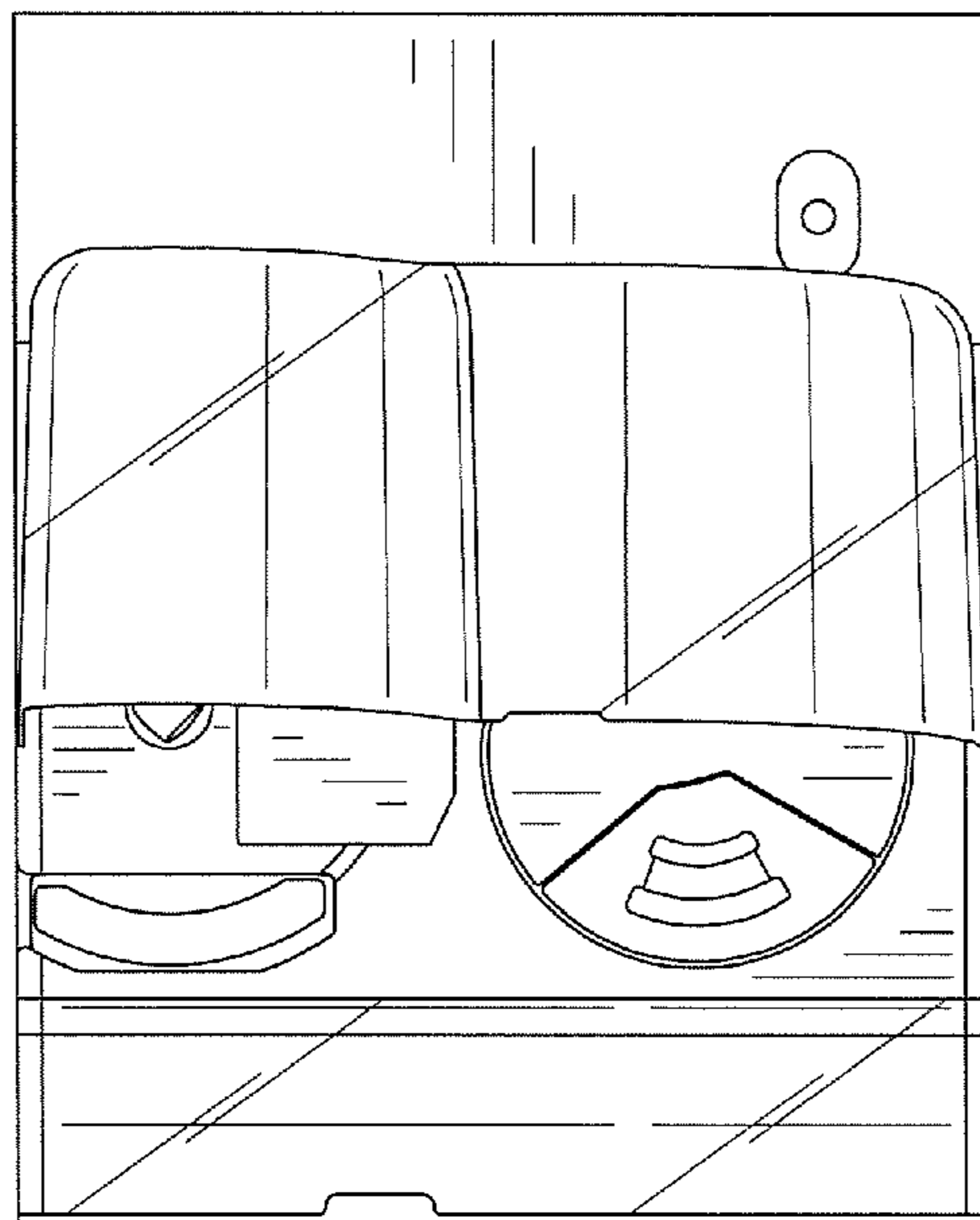


FIG. 15

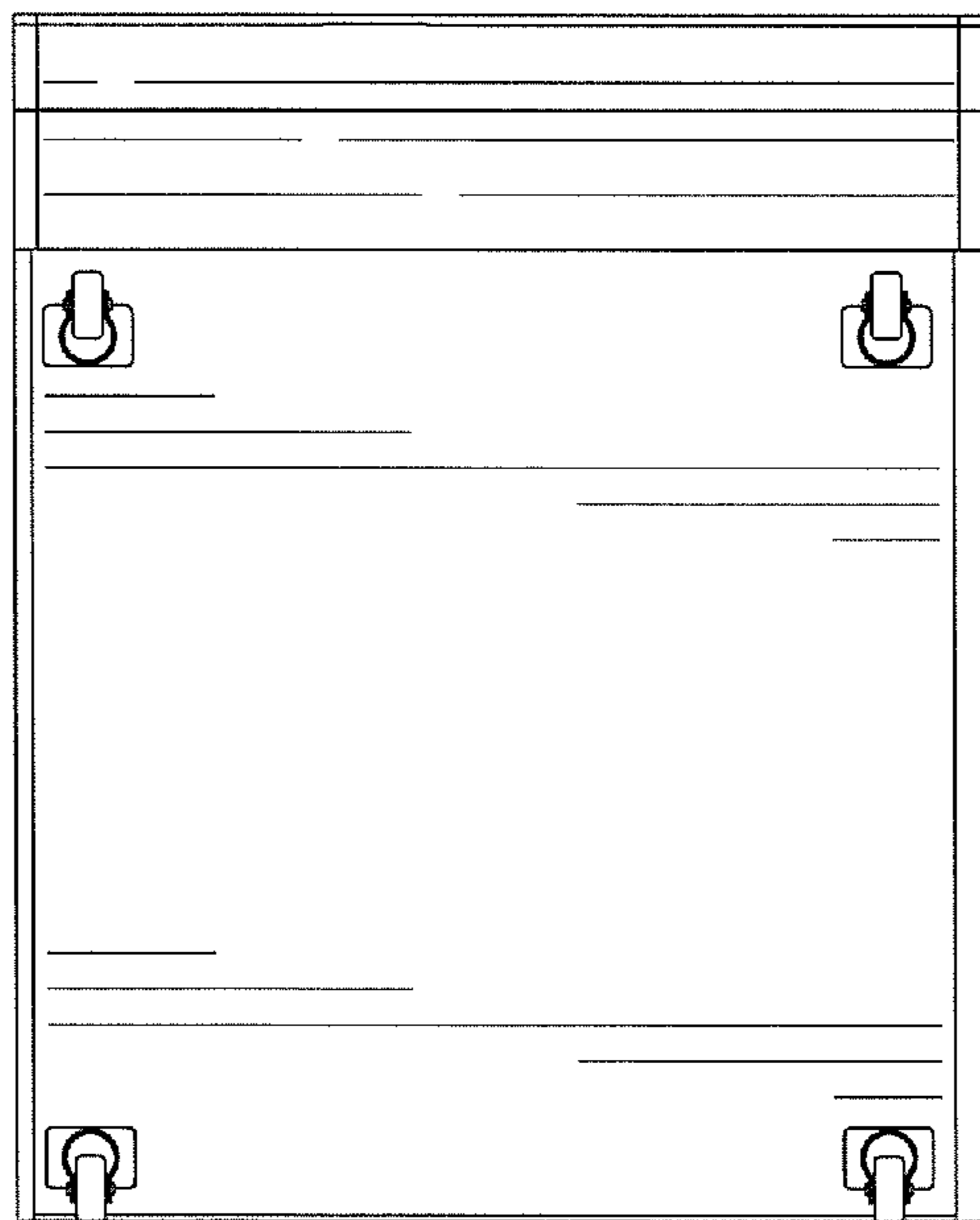


FIG. 16