



US00D716467S

(12) **United States Design Patent**
Kanbar et al.

(10) **Patent No.:** **US D716,467 S**
(45) **Date of Patent:** **** Oct. 28, 2014**

(54) **PERSONAL MASSAGER**

(71) Applicants: **Maurice S. Kanbar**, San Francisco, CA
(US); **Albert Kolvites**, San Mateo, CA
(US)

(72) Inventors: **Maurice S. Kanbar**, San Francisco, CA
(US); **Albert Kolvites**, San Mateo, CA
(US)

(73) Assignee: **Maurice S. Kanbar Revocable Trust**,
San Francisco, CA (US)

(**) Term: **14 Years**

(21) Appl. No.: **29/483,819**

(22) Filed: **Mar. 3, 2014**

(51) **LOC (10) Cl.** **28-03**

(52) **U.S. Cl.**

CPC **A61H 19/40** (2013.01)

USPC **D24/215**

(58) **Field of Classification Search**

CPC A61H 19/30; A61H 19/32; A61H 19/34;
A61H 19/40; A61H 19/44; A61H 19/50;
A61H 19/00; A61H 2201/0153; A61H
2201/0207; A61H 2201/0263; A61H
2201/0111; A61H 2201/1253; A61H
2205/082; A61H 2205/085; A61H 15/0085
USPC D24/200, 211, 212, 213, 214, 215;
601/19, 27-32, 46, 49, 52, DIG. 12,
601/DIG. 14, DIG. 15, DIG. 16, DIG. 17;
D21/685

See application file for complete search history.

(56) **References Cited**

U.S. PATENT DOCUMENTS

D268,524	S	*	4/1983	D'Addio et al.	D24/211
D279,126	S	*	6/1985	Kaaser	D24/211
4,632,095	A	*	12/1986	Libin	601/135
D293,472	S	*	12/1987	Chrones et al.	D24/211
D345,054	S	*	3/1994	Spence, Jr.	D4/104
D350,851	S	*	9/1994	Spence, Jr.	D4/104
D351,658	S	*	10/1994	Beckman	D24/211
D360,470	S	*	7/1995	Ivy	D24/211
D376,853	S	*	12/1996	Hsia	D24/214
D387,873	S	*	12/1997	Lee	D24/215
D434,566	S	*	12/2000	Mann	D4/117
D510,440	S	*	10/2005	Huang	D24/211
D596,751	S	*	7/2009	Elbaz et al.	D24/214
D600,357	S	*	9/2009	Chaput	D24/215
D666,732	S	*	9/2012	Caggiano et al.	D24/214
D674,905	S	*	1/2013	Lowsky	D24/211
D674,911	S	*	1/2013	Caldwell	D24/215
2008/0091128	A1	*	4/2008	Nan	601/70

* cited by examiner

Primary Examiner — Sandra Snapp

(74) *Attorney, Agent, or Firm* — Litts Law Firm

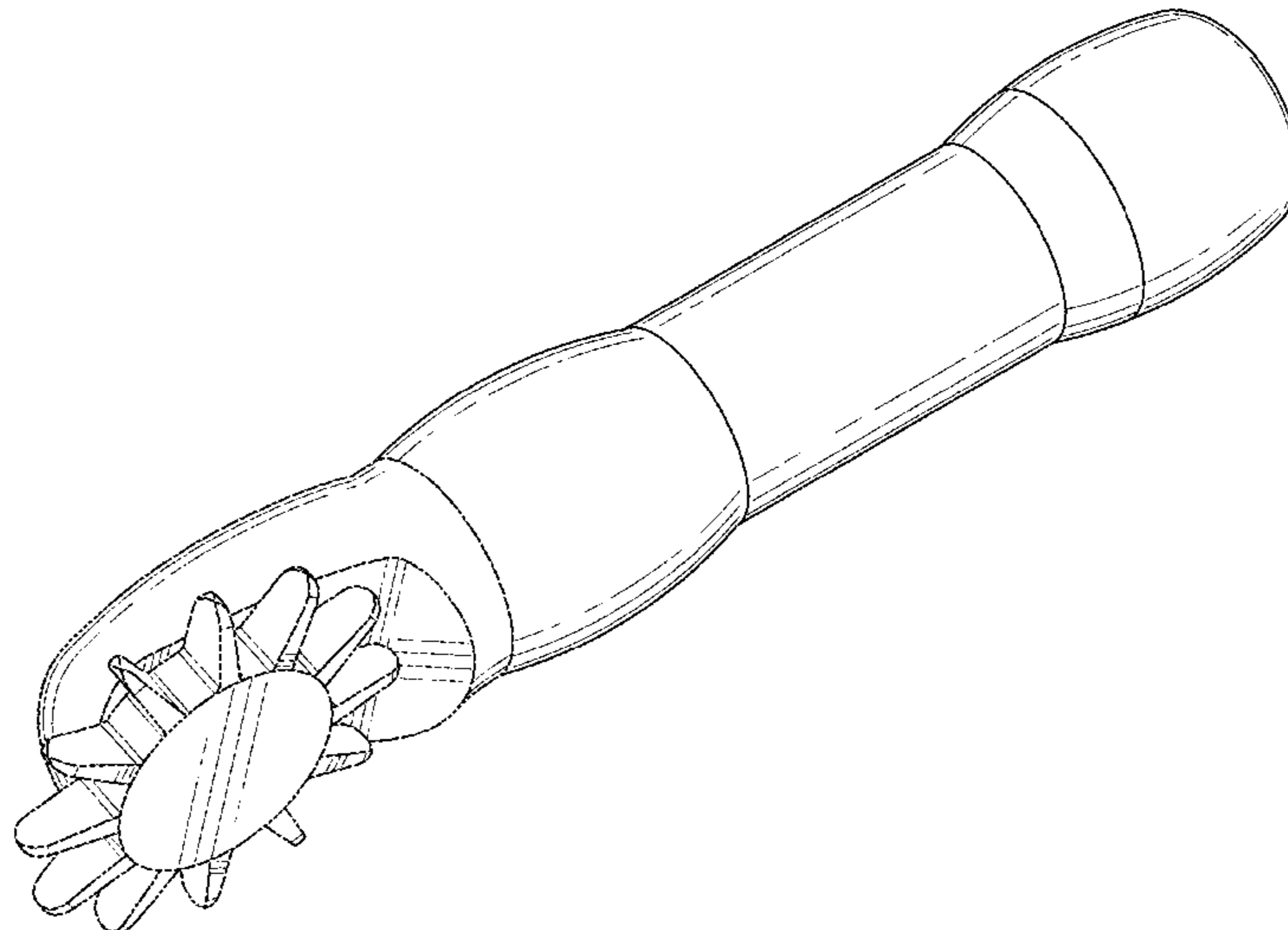
(57) **CLAIM**

The ornamental design for a personal massager, as shown and described.

DESCRIPTION

FIG. 1 is a front perspective view of a personal massager showing our new design;
FIG. 2 is a top plan view thereof;
FIG. 3 is a bottom plan view thereof;
FIG. 4 is a right side elevation view thereof;
FIG. 5 is a left side elevation view thereof;
FIG. 6 is a front elevation view thereof; and,
FIG. 7 is a rear elevation view thereof.
The broken lines in the figures are for environmental purpose only and form no part of the claimed design.

1 Claim, 4 Drawing Sheets



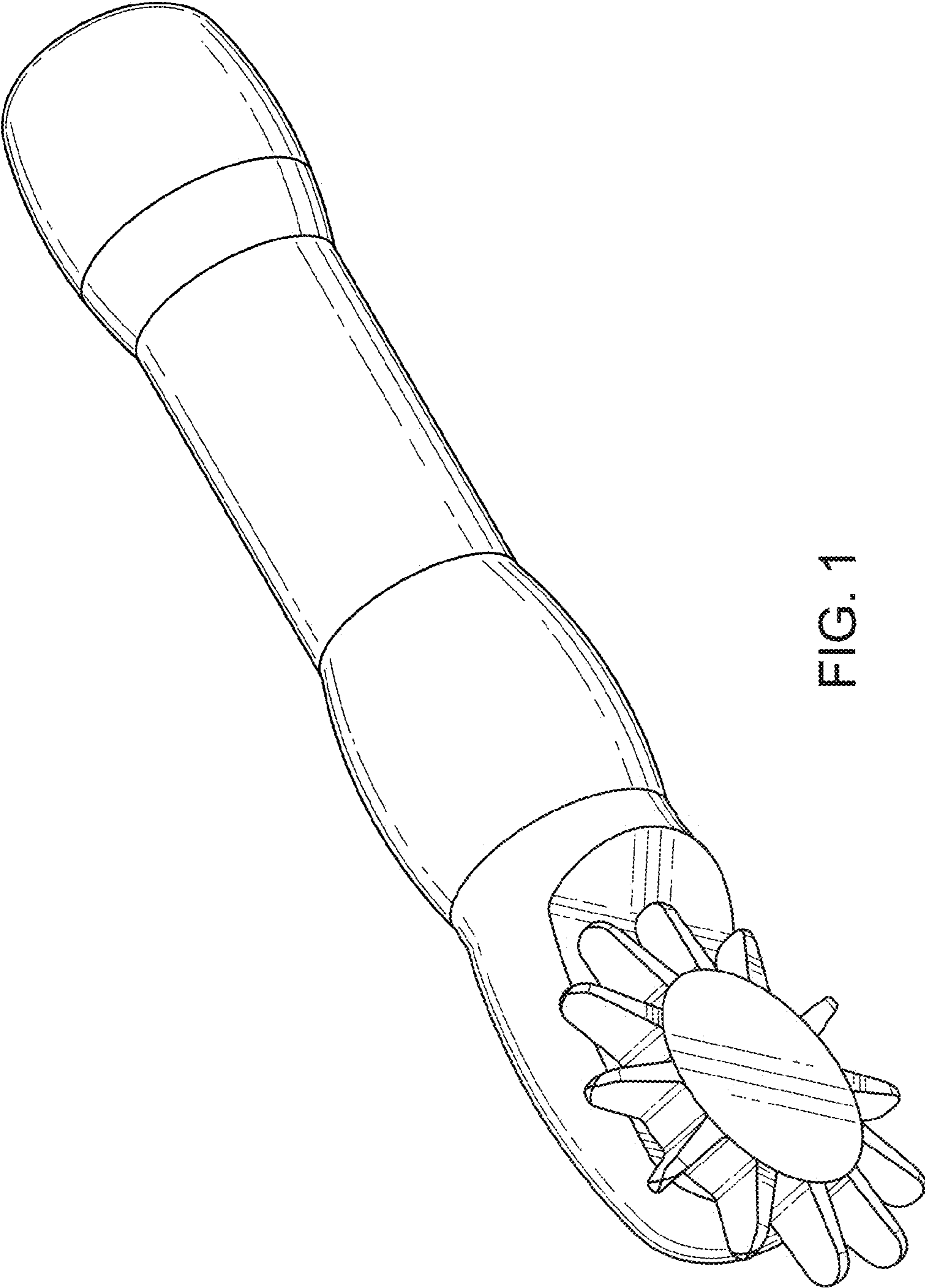


FIG. 1

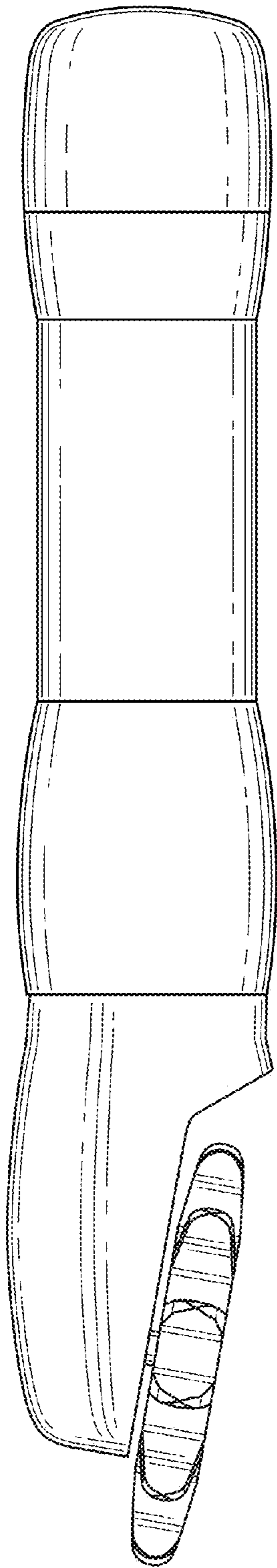


FIG. 2

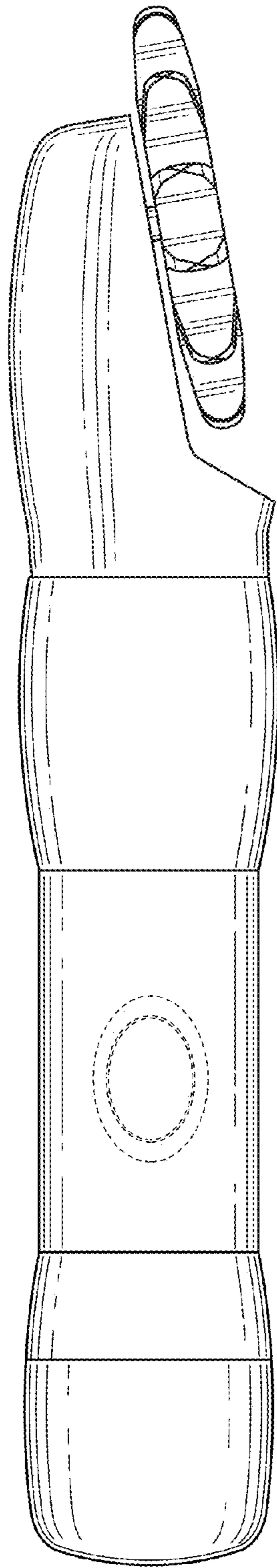


FIG. 3

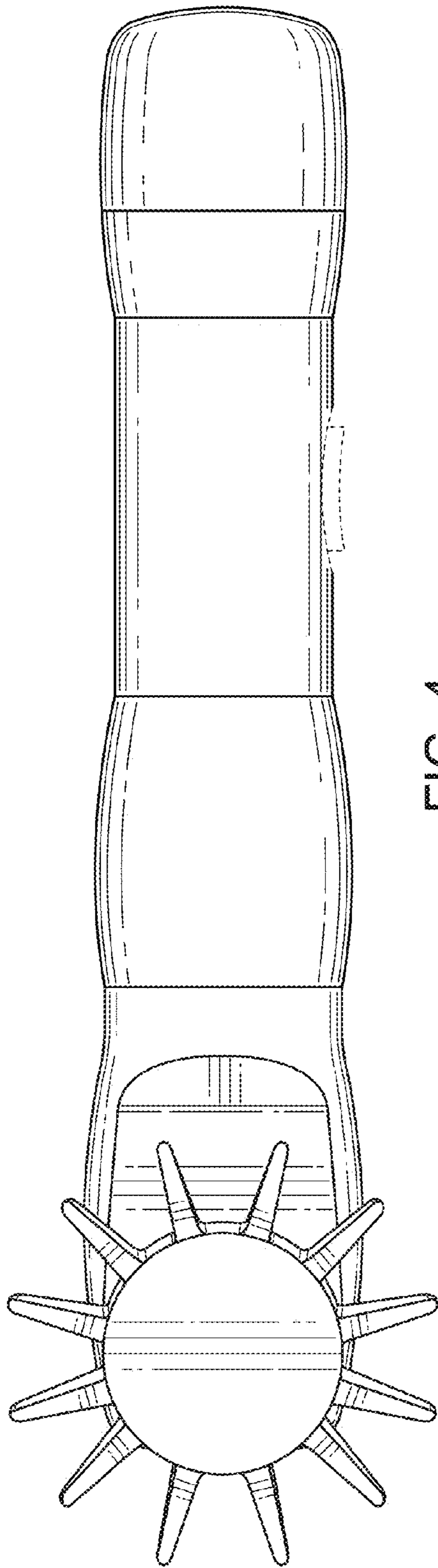


FIG. 4

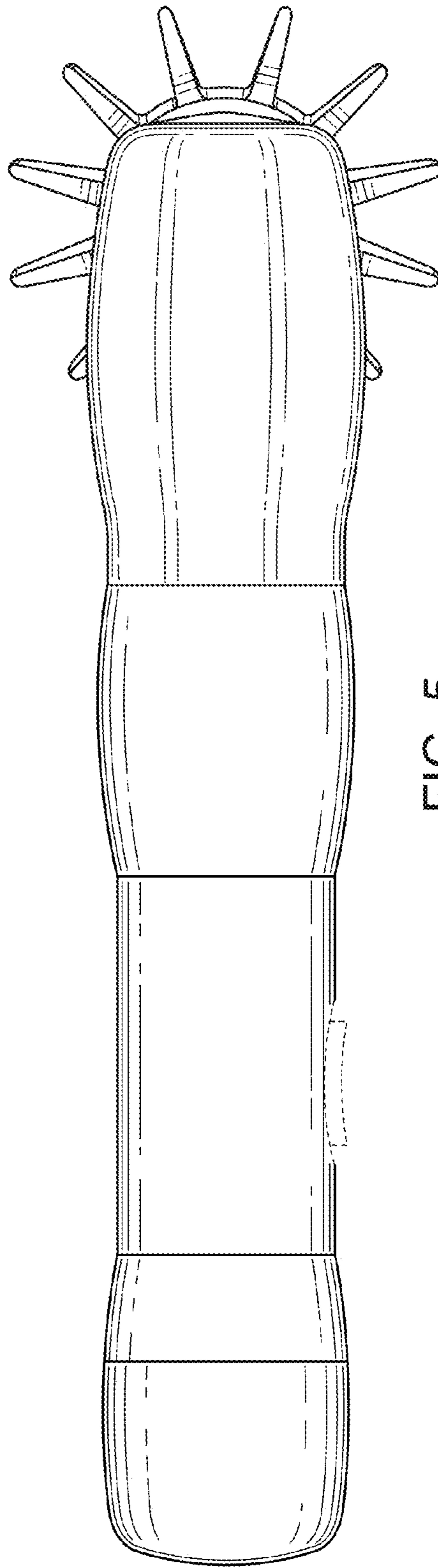


FIG. 5

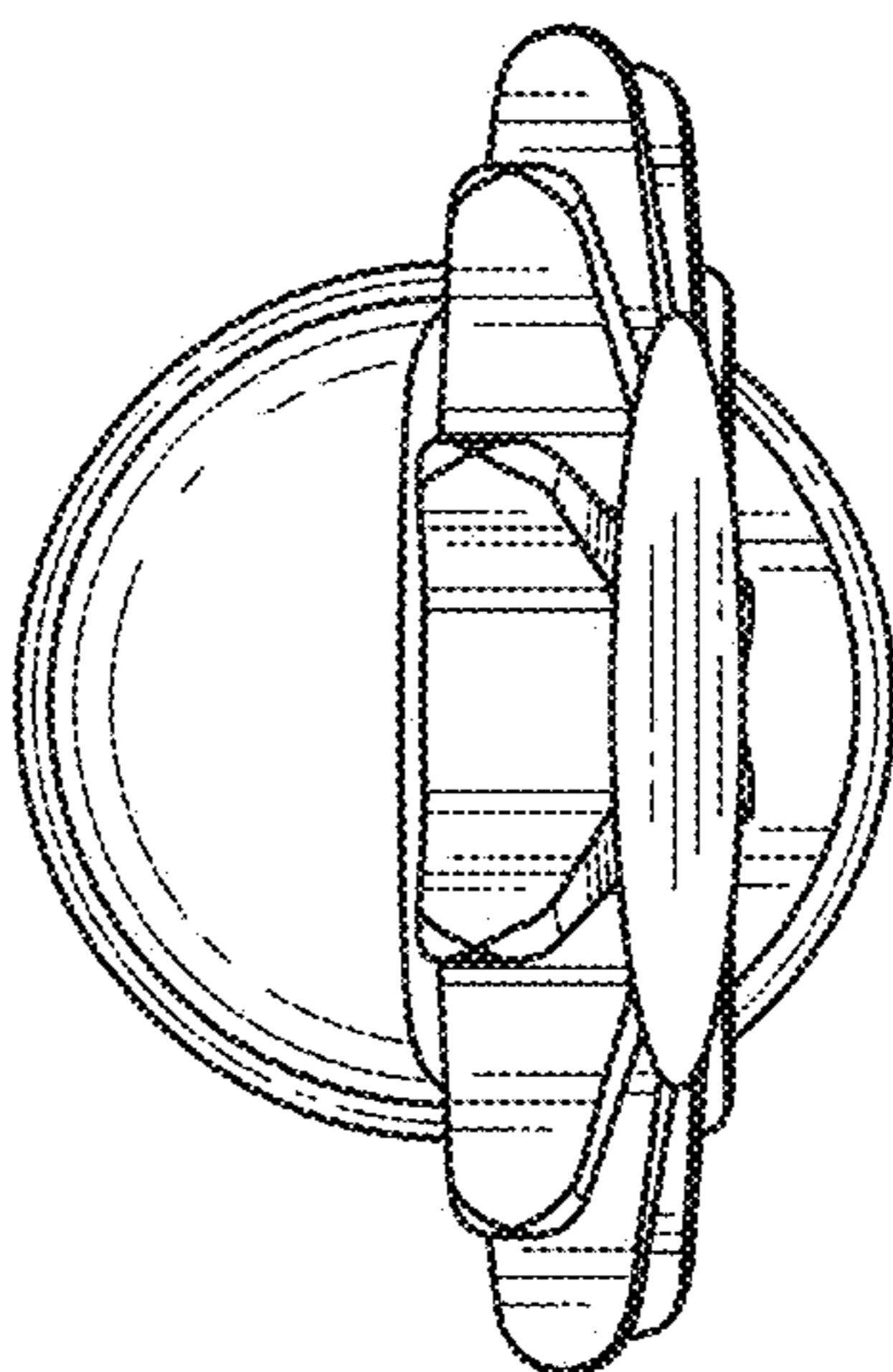


FIG. 6

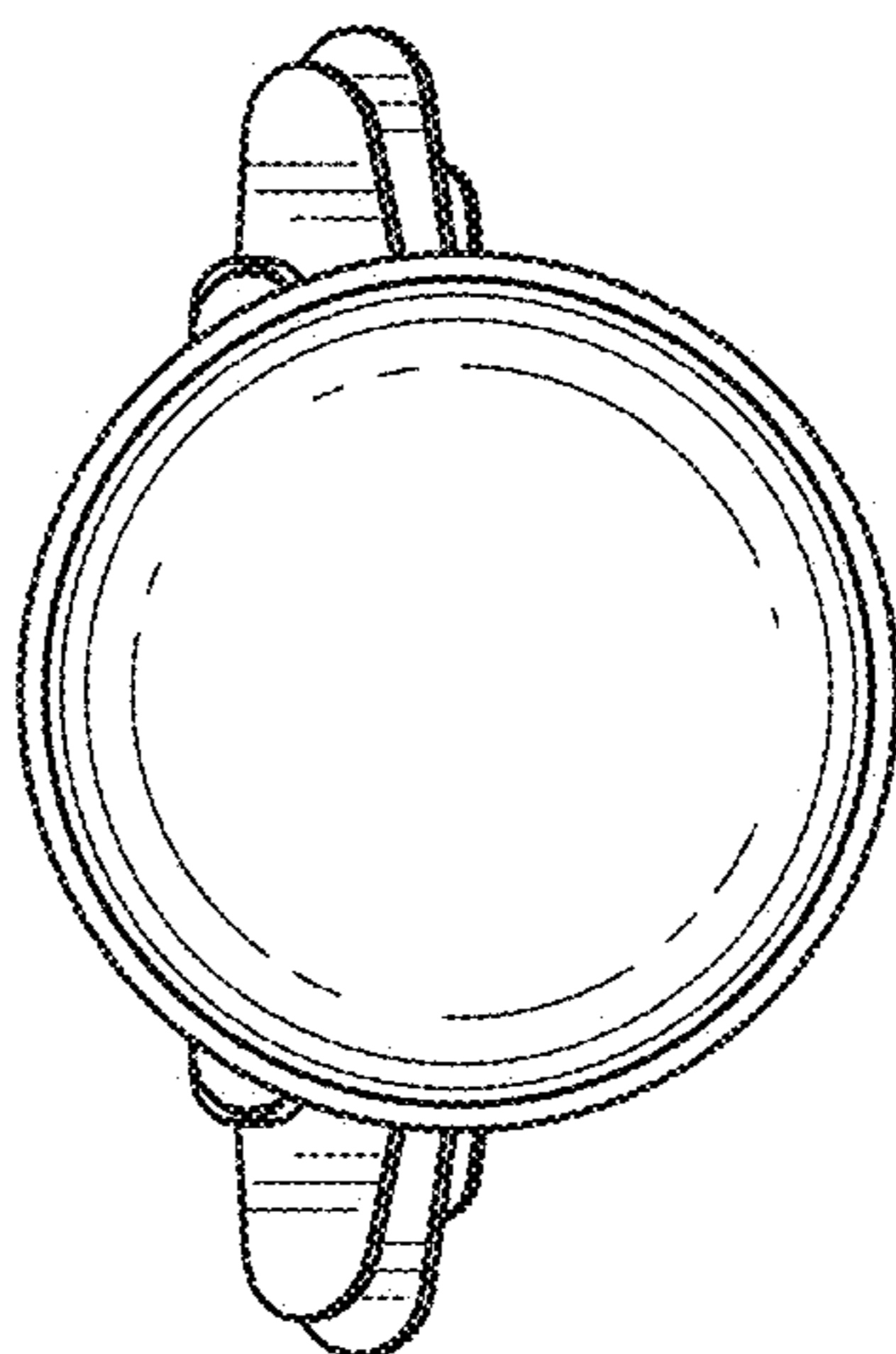


FIG. 7