



US00D716465S

(12) **United States Design Patent**  
**Kanbar et al.**

(10) **Patent No.:** **US D716,465 S**  
(45) **Date of Patent:** **\*\* Oct. 28, 2014**

(54) **PERSONAL MASSAGER HEAD**

601/DIG. 14, DIG. 15, DIG. 16, DIG. 17;  
D21/685

(71) Applicants: **Maurice S. Kanbar**, San Francisco, CA  
(US); **Albert Kolvites**, San Mateo, CA  
(US)

See application file for complete search history.

(72) Inventors: **Maurice S. Kanbar**, San Francisco, CA  
(US); **Albert Kolvites**, San Mateo, CA  
(US)

(56) **References Cited**

U.S. PATENT DOCUMENTS

(73) Assignee: **Maurice S. Kanbar Revocable Trust**,  
San Francisco, CA (US)

|          |   |   |         |              |       |         |
|----------|---|---|---------|--------------|-------|---------|
| D495,803 | S | * | 9/2004  | Gough et al. | ..... | D24/211 |
| D515,219 | S | * | 2/2006  | Nan          | ..... | D24/215 |
| D565,191 | S | * | 3/2008  | Nan          | ..... | D24/215 |
| D582,562 | S | * | 12/2008 | Nan          | ..... | D24/215 |
| D599,486 | S | * | 9/2009  | Stewart      | ..... | D24/214 |

(\*\*) Term: **14 Years**

\* cited by examiner

(21) Appl. No.: **29/483,808**

*Primary Examiner* — Sandra Snapp

(22) Filed: **Mar. 3, 2014**

(74) *Attorney, Agent, or Firm* — Litts Law Firm

**Related U.S. Application Data**

(63) Continuation-in-part of application No. 14/087,841,  
filed on Nov. 22, 2013.

(51) **LOC (10) Cl.** ..... **28-03**

(52) **U.S. Cl.**

CPC ..... **A61H 19/40** (2013.01)

USPC ..... **D24/215**

(58) **Field of Classification Search**

CPC ..... A61H 19/30; A61H 19/32; A61H 19/34;  
A61H 19/40; A61H 19/44; A61H 19/50;

A61H 19/00; A61H 2201/0153; A61H

2201/0207; A61H 2201/0263; A61H

2201/0111; A61H 2201/1253; A61H

2205/082; A61H 2205/085; A61H 15/0085

USPC ..... D24/200, 211, 212, 213, 214, 215;

601/19, 27-32, 46, 49, 52, DIG. 12,

(57) **CLAIM**

The ornamental design for a personal massager head, as  
shown and described.

**DESCRIPTION**

FIG. 1 is a front perspective view of a personal massager head  
showing our new design;

FIG. 2 is a right side elevation view thereof;

FIG. 3 is a left side elevation view thereof;

FIG. 4 is a top plan view thereof;

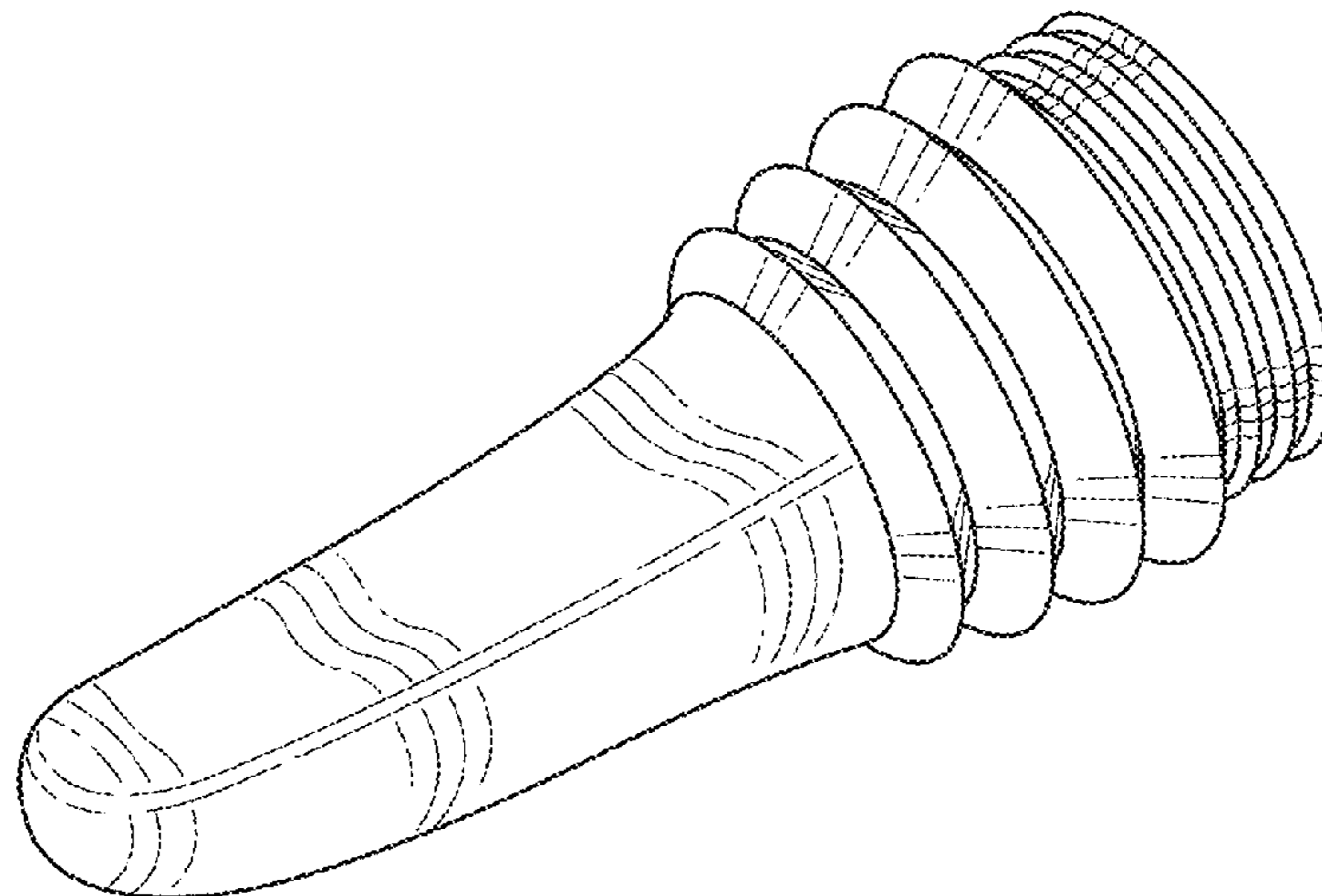
FIG. 5 is a bottom plan view thereof;

FIG. 6 is a front elevation view thereof; and,

FIG. 7 is a rear elevation view thereof.

The broken lines in the figures are for environmental purpose  
only and form no part of the claimed design.

**1 Claim, 4 Drawing Sheets**



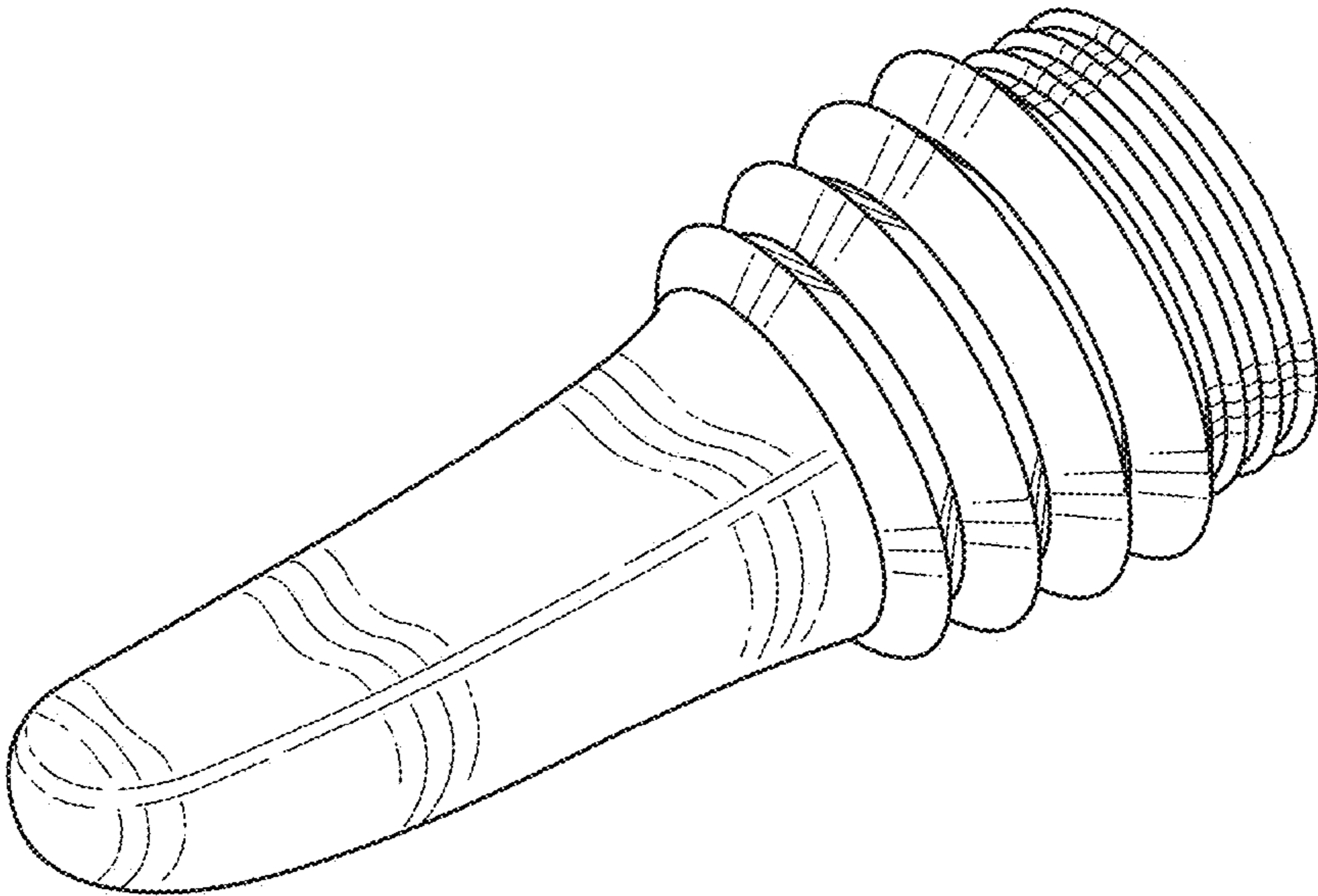


FIG. 1

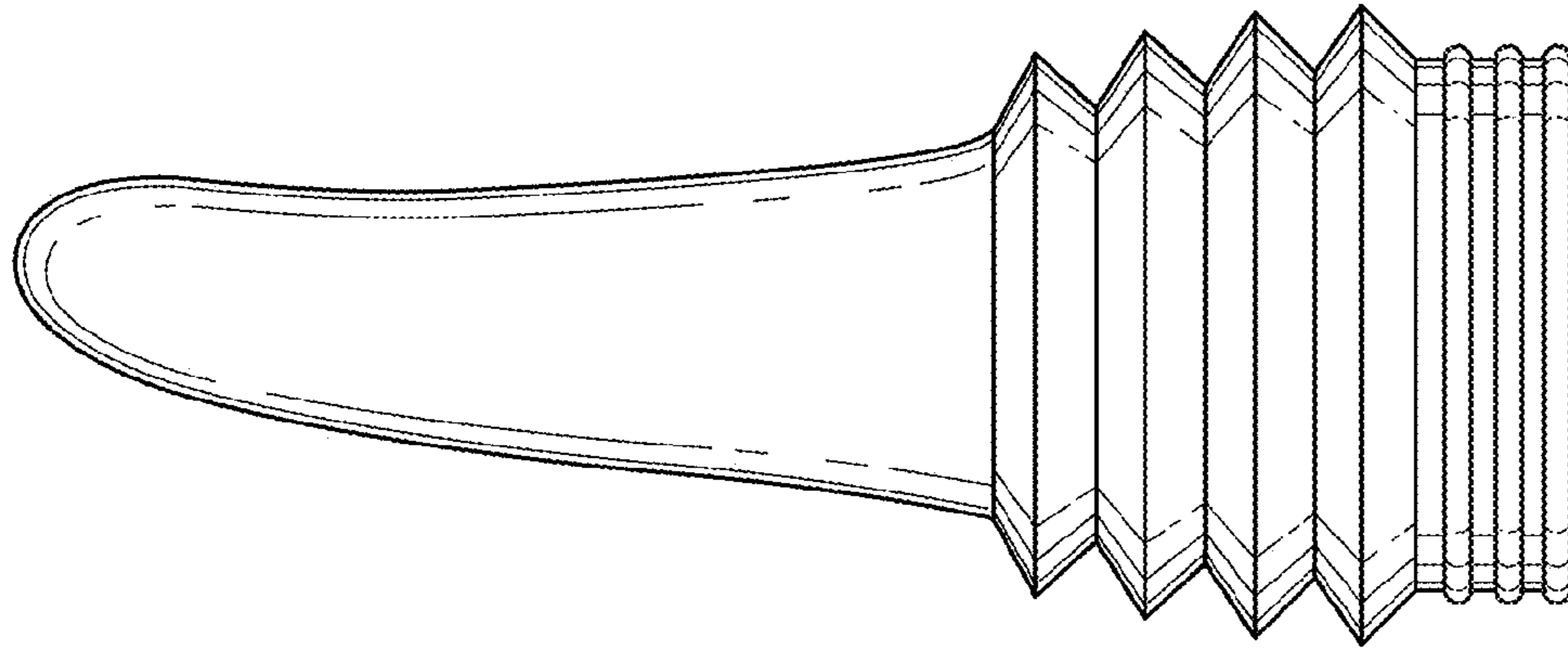


FIG. 2

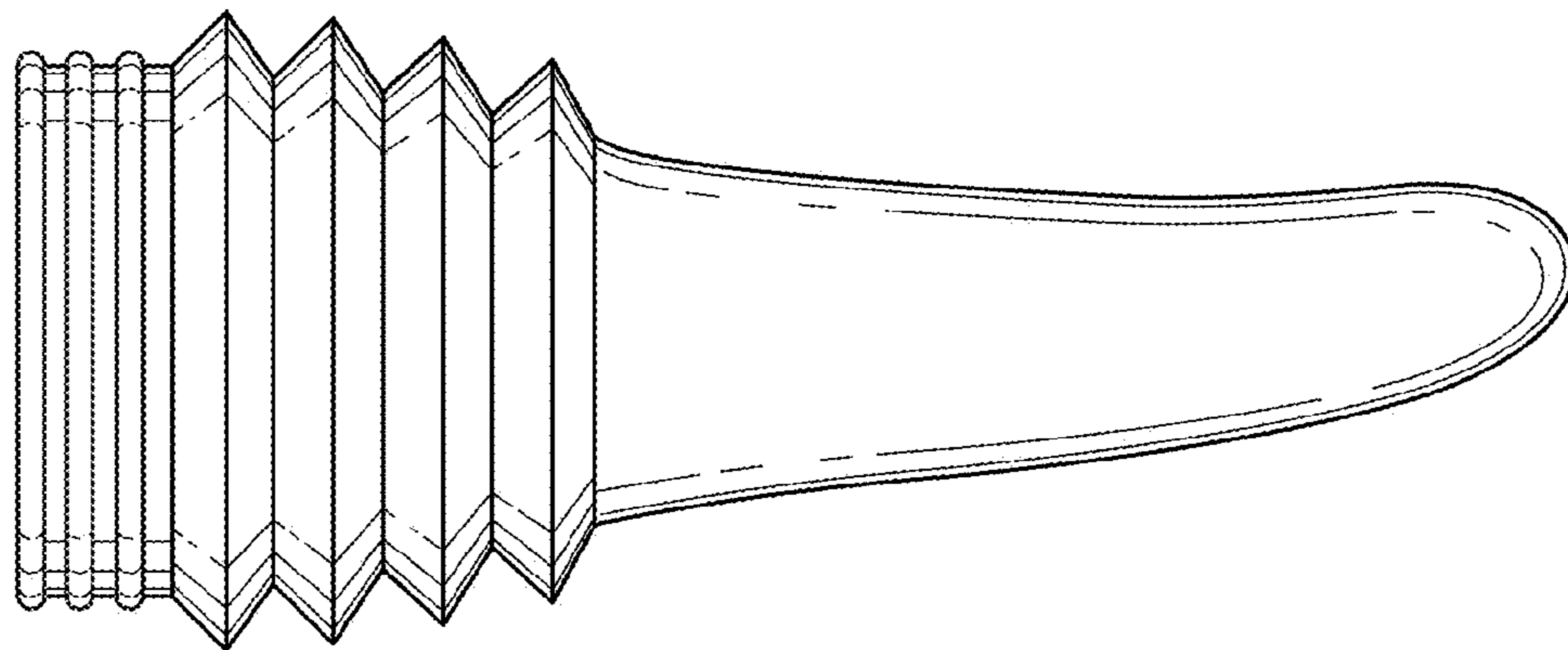


FIG. 3

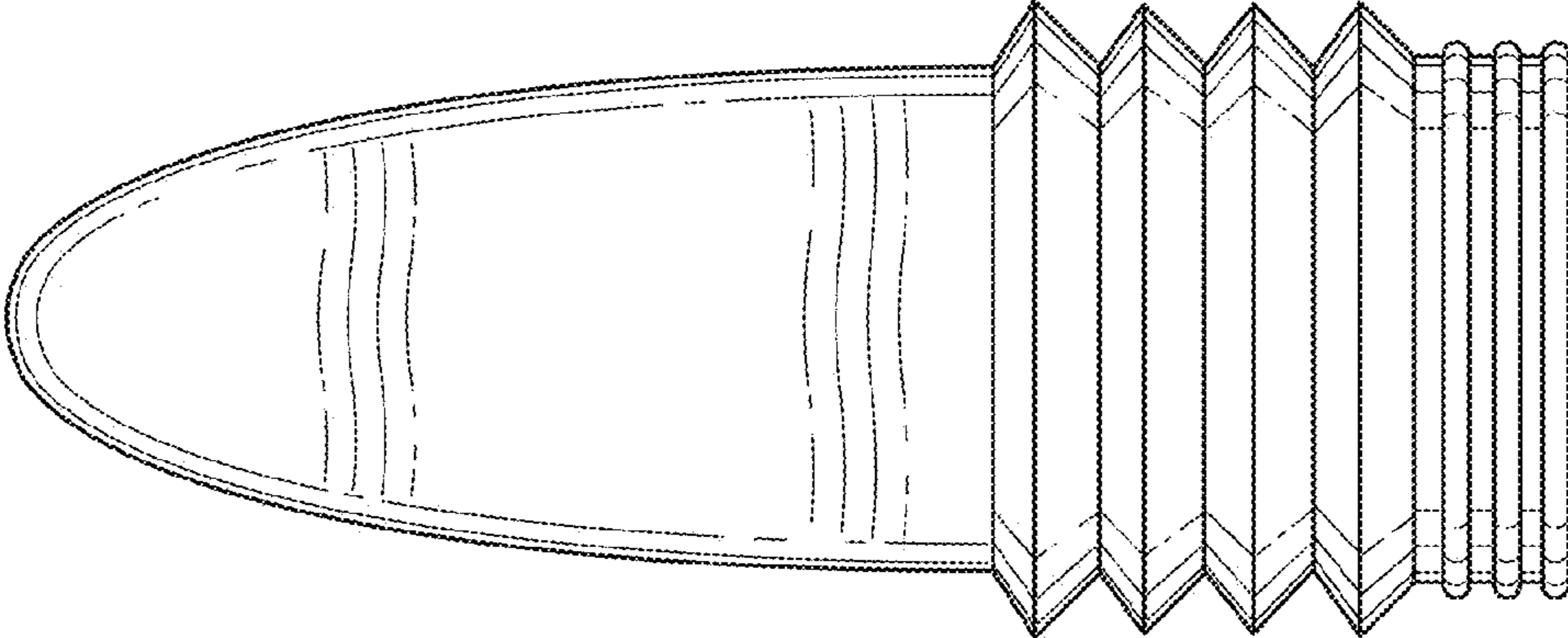


FIG. 4

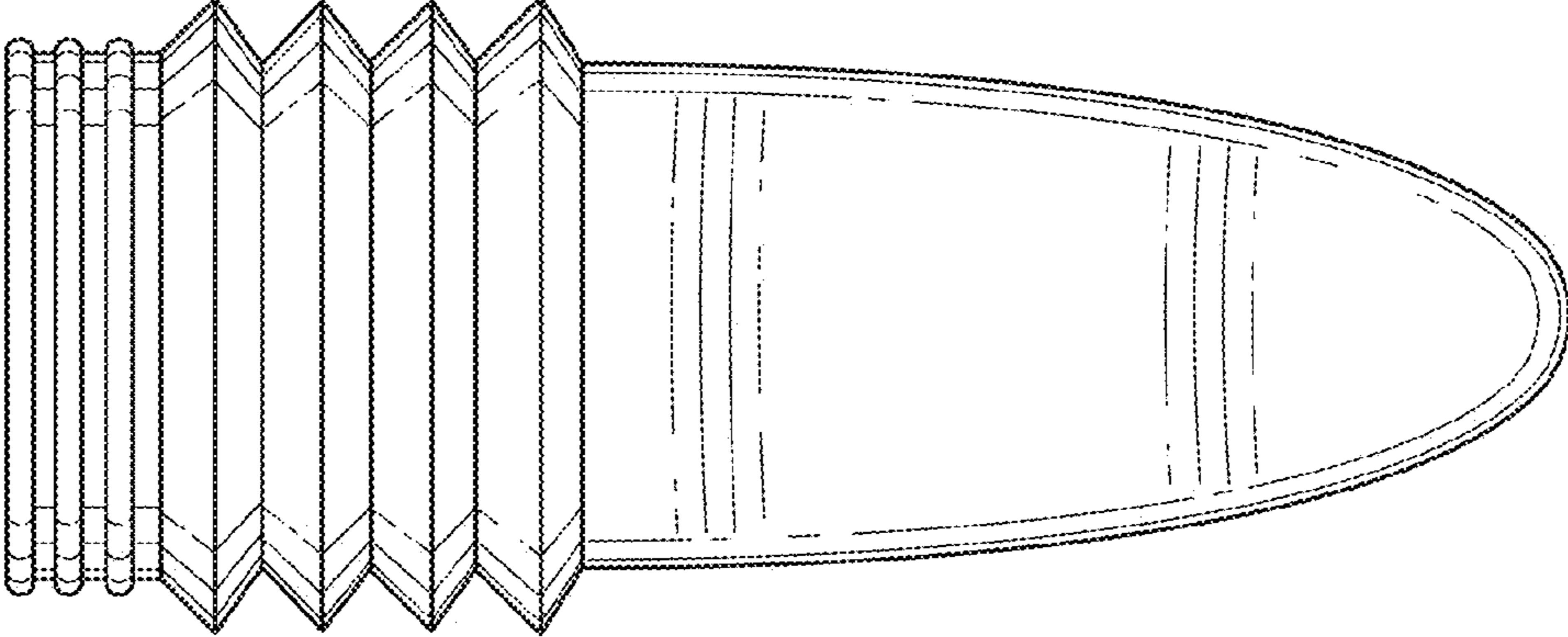


FIG. 5

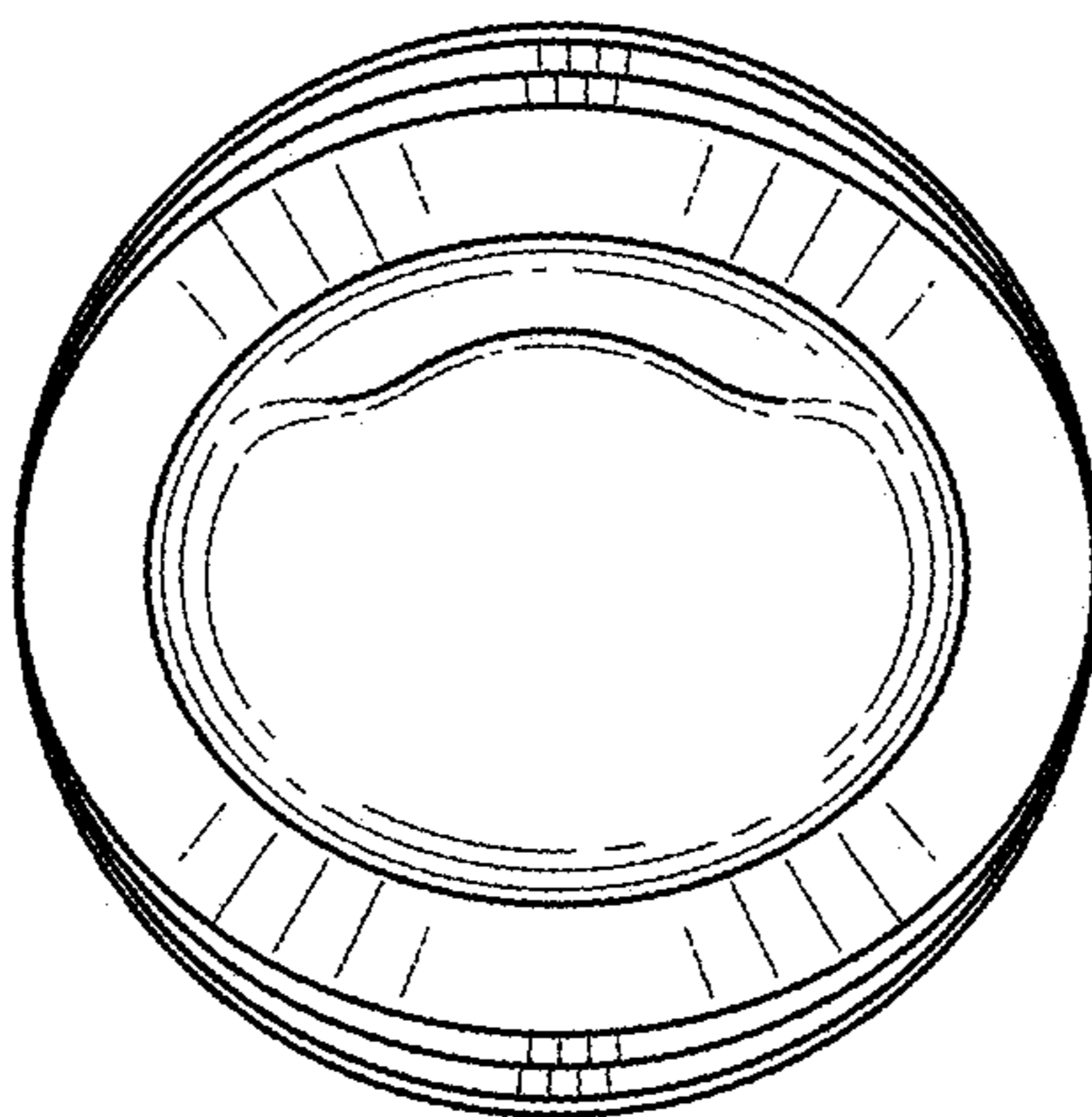


FIG. 6

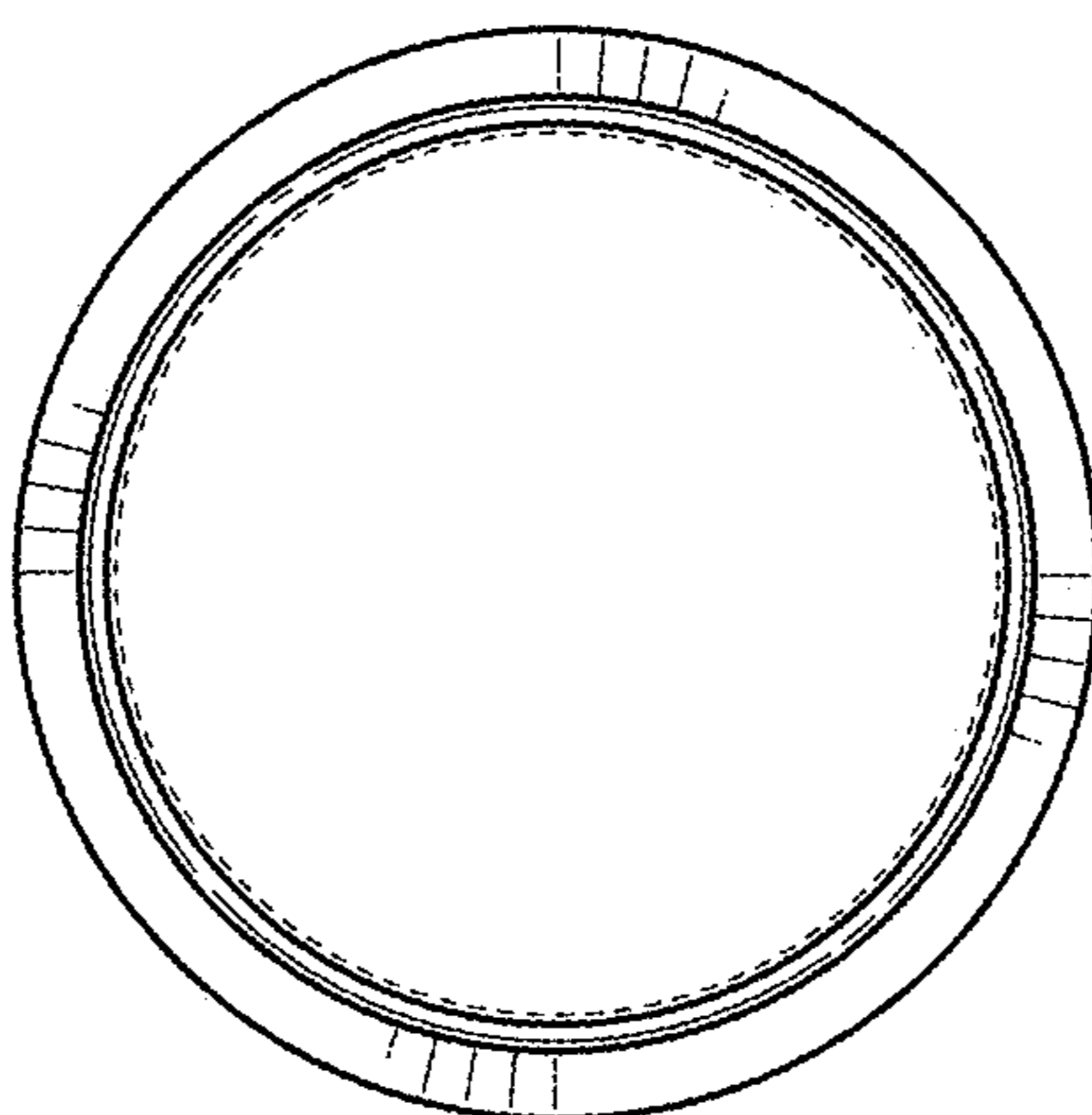


FIG. 7