



US00D716457S

(12) **United States Design Patent**
Brefka et al.

(10) **Patent No.:** **US D716,457 S**
(45) **Date of Patent:** **** Oct. 28, 2014**

(54) **TRANSCUTANEOUS ELECTRICAL NERVE STIMULATION DEVICE**

D540,695 S * 4/2007 Leung D10/31
7,341,561 B2 * 3/2008 Tanaka et al. 600/503
D565,427 S * 4/2008 Ellner et al. D10/31

(75) Inventors: **Paul E. Brefka**, Southborough, MA (US); **Marc Cryan**, Maynard, MA (US); **Shai N. Gozani**, Brookline, MA (US); **Michael L. Williams**, Melrose, MA (US)

(Continued)

Primary Examiner — T. Chase Nelson

Assistant Examiner — Mark Cavanna

(74) *Attorney, Agent, or Firm* — Pandiscio & Pandiscio

(73) Assignee: **NeuroMetrix, Inc.**, Waltham, MA (US)

(57) **CLAIM**

The ornamental design for a transcutaneous electrical nerve stimulation device, as shown and described.

(**) Term: **14 Years**

DESCRIPTION

(21) Appl. No.: **29/422,756**

(22) Filed: **May 23, 2012**

(51) **LOC (10) Cl.** **24-01**

(52) **U.S. Cl.**
USPC **D24/186**

(58) **Field of Classification Search**
CPC A61N 1/04; G06F 1/163
USPC D24/140, 158, 167–168, 186–187, 165,
D24/200; 600/384, 391, 393, 500, 503;
607/142, 148–149, 152; D11/3, 4, 17;
63/1.13, 1.14, 3; D10/31, 32; D14/358
See application file for complete search history.

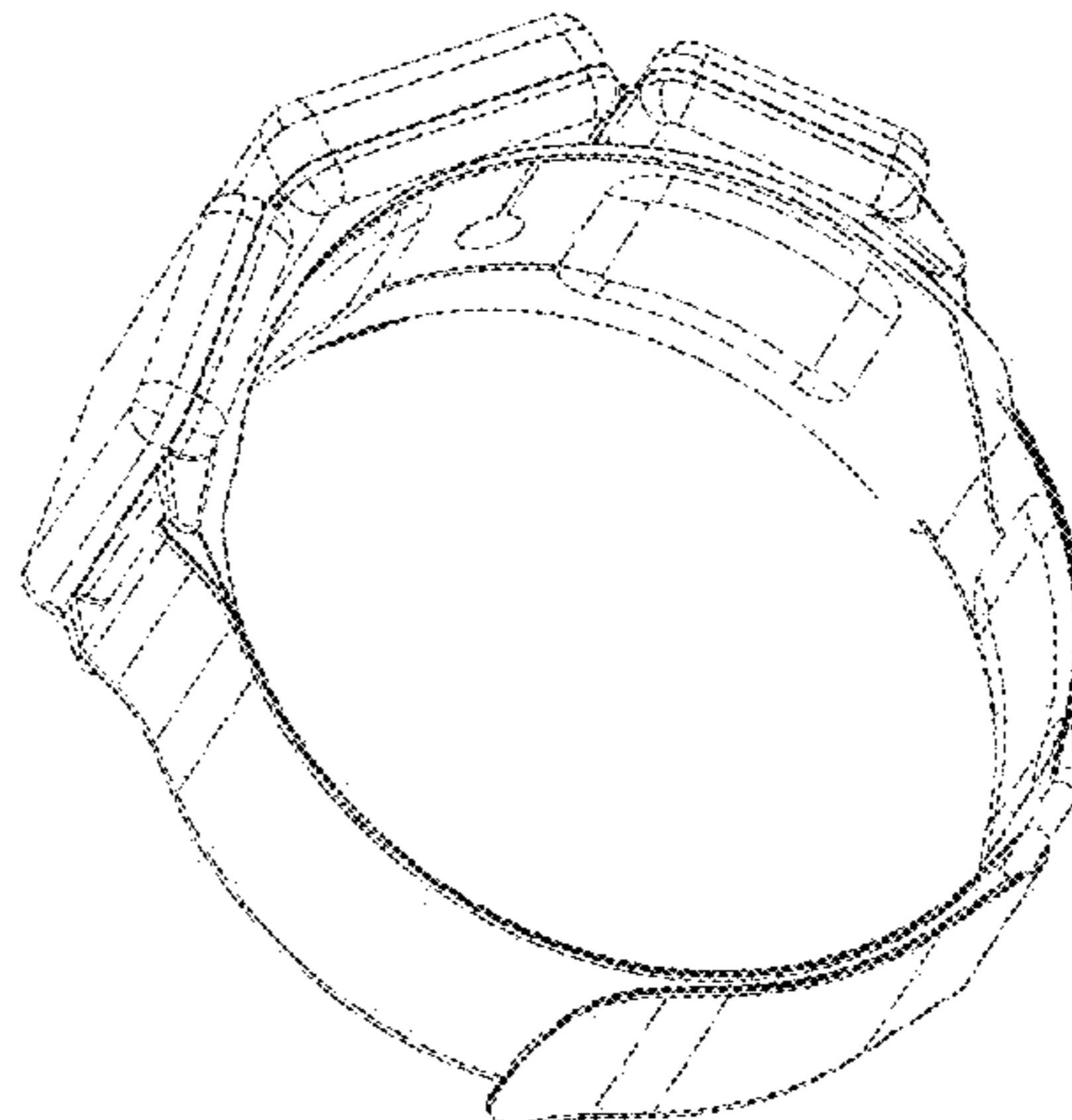
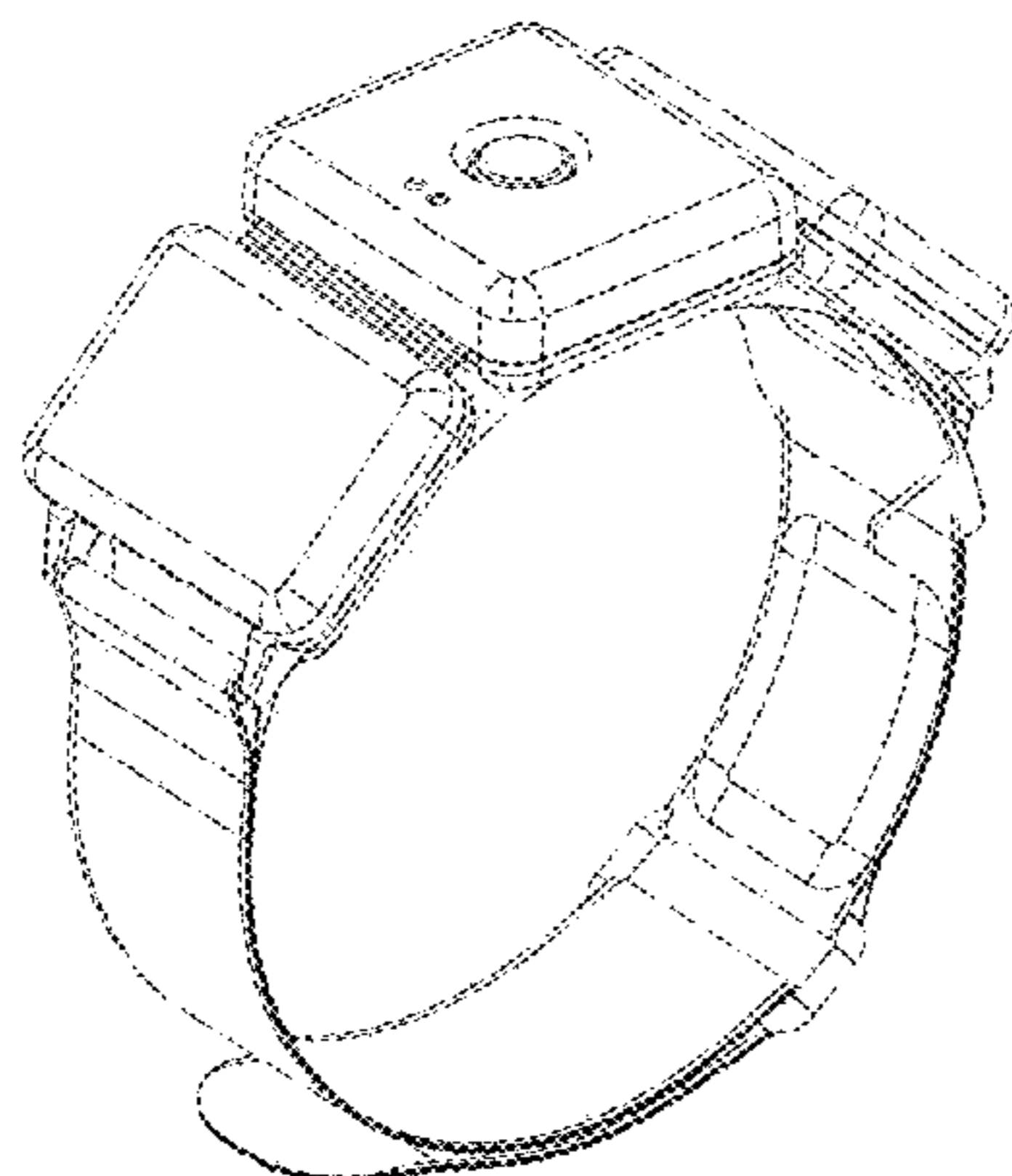
FIG. 1 is a top right perspective view of a transcutaneous electrical nerve stimulation device showing our new design; FIG. 2 is a top left perspective view of the transcutaneous electrical nerve stimulation device; FIG. 3 is a front view of the transcutaneous electrical nerve stimulation device in elevation, taken from the frame of reference of FIG. 1; FIG. 4 is a rear view of the transcutaneous electrical nerve stimulation device in elevation, taken from the frame of reference of FIG. 1; FIG. 5 is a right side view, in elevation of the transcutaneous electrical nerve stimulation device in elevation, taken from the frame of reference of FIG. 1; FIG. 6 is a left side view, in elevation of the transcutaneous electrical nerve stimulation device in elevation, taken from the frame of reference of FIG. 1; FIG. 7 is a top view of the transcutaneous electrical nerve stimulation device, taken from the frame of reference of FIG. 1; FIG. 8 is a bottom view of the transcutaneous electrical nerve stimulation device, taken from the frame of reference of FIG. 1; FIG. 9 is a bottom right perspective view of the transcutaneous electrical nerve stimulation device; and, FIG. 10 is a bottom left perspective view of the transcutaneous electrical nerve stimulation device.

(56) **References Cited**

U.S. PATENT DOCUMENTS

4,989,605 A * 2/1991 Rossen 607/46
D398,999 S * 9/1998 Maeda et al. D24/165
D403,070 S * 12/1998 Maeda et al. D24/165
D406,346 S * 3/1999 Hirakawa D24/165
D440,163 S * 4/2001 Callis D10/31
D442,694 S * 5/2001 Cheng D24/200
D443,362 S * 6/2001 Storp D24/165
D450,849 S * 11/2001 Rantala D24/165
6,314,058 B1 * 11/2001 Lee 600/500
D452,005 S * 12/2001 Rantala D24/165
D452,006 S * 12/2001 Komulainen D24/167
D475,136 S * 5/2003 Taniguchi D24/165
D508,038 S * 8/2005 Bonadei D10/32
6,982,930 B1 * 1/2006 Hung 600/500

1 Claim, 10 Drawing Sheets



US D716,457 S

Page 2

(56)

References Cited

U.S. PATENT DOCUMENTS

D667,126 S *	9/2012	Cho et al.	D24/186	
D688,585 S *	8/2013	Ohnemus et al.	D11/3	
2013/0110220 A1 *	5/2013	Brown	607/149	
D567,227 S *	4/2008	Hada	D11/4	
D643,428 S *	8/2011	Janky et al.	D14/358	* cited by examiner

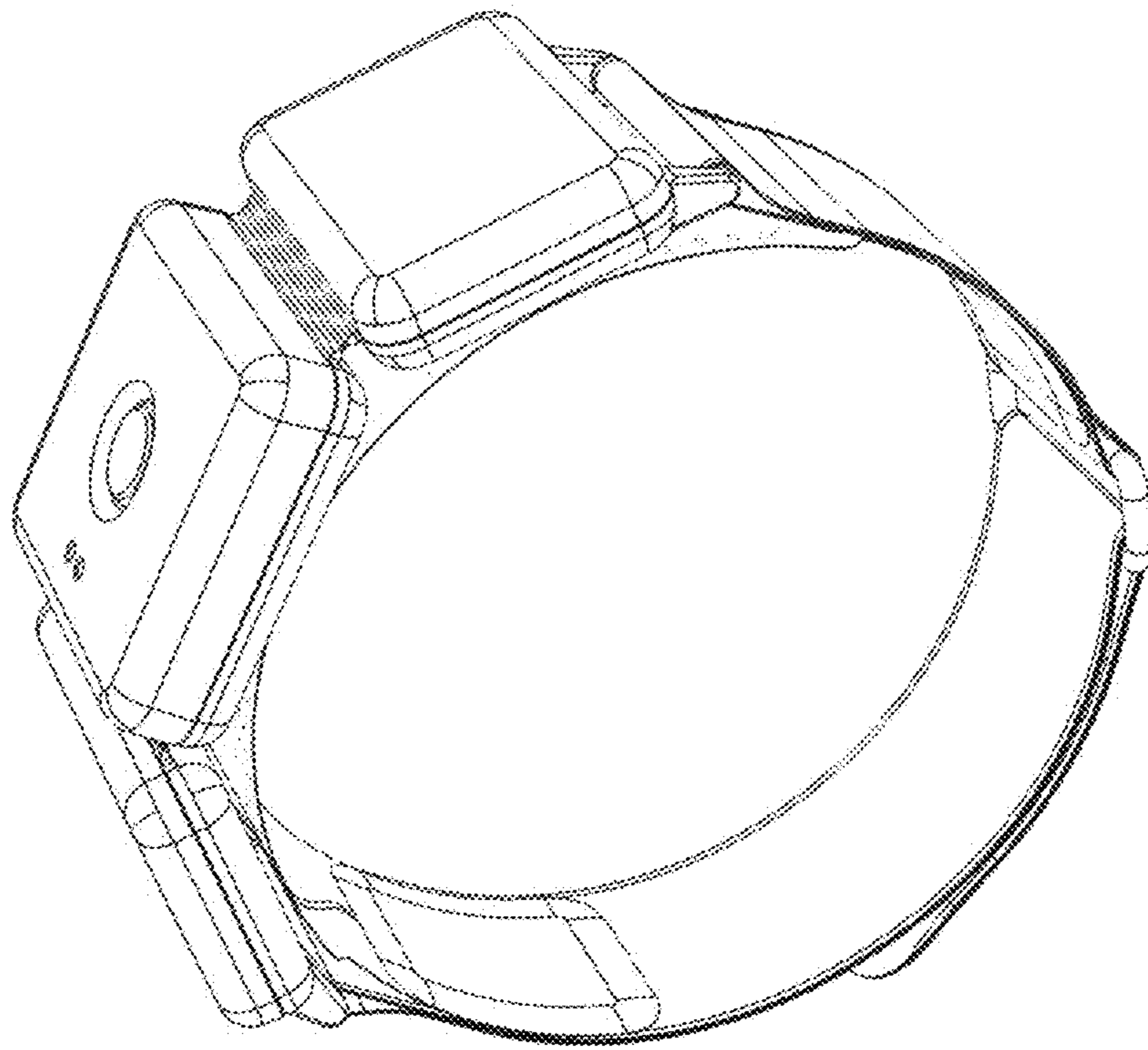


FIG. 1

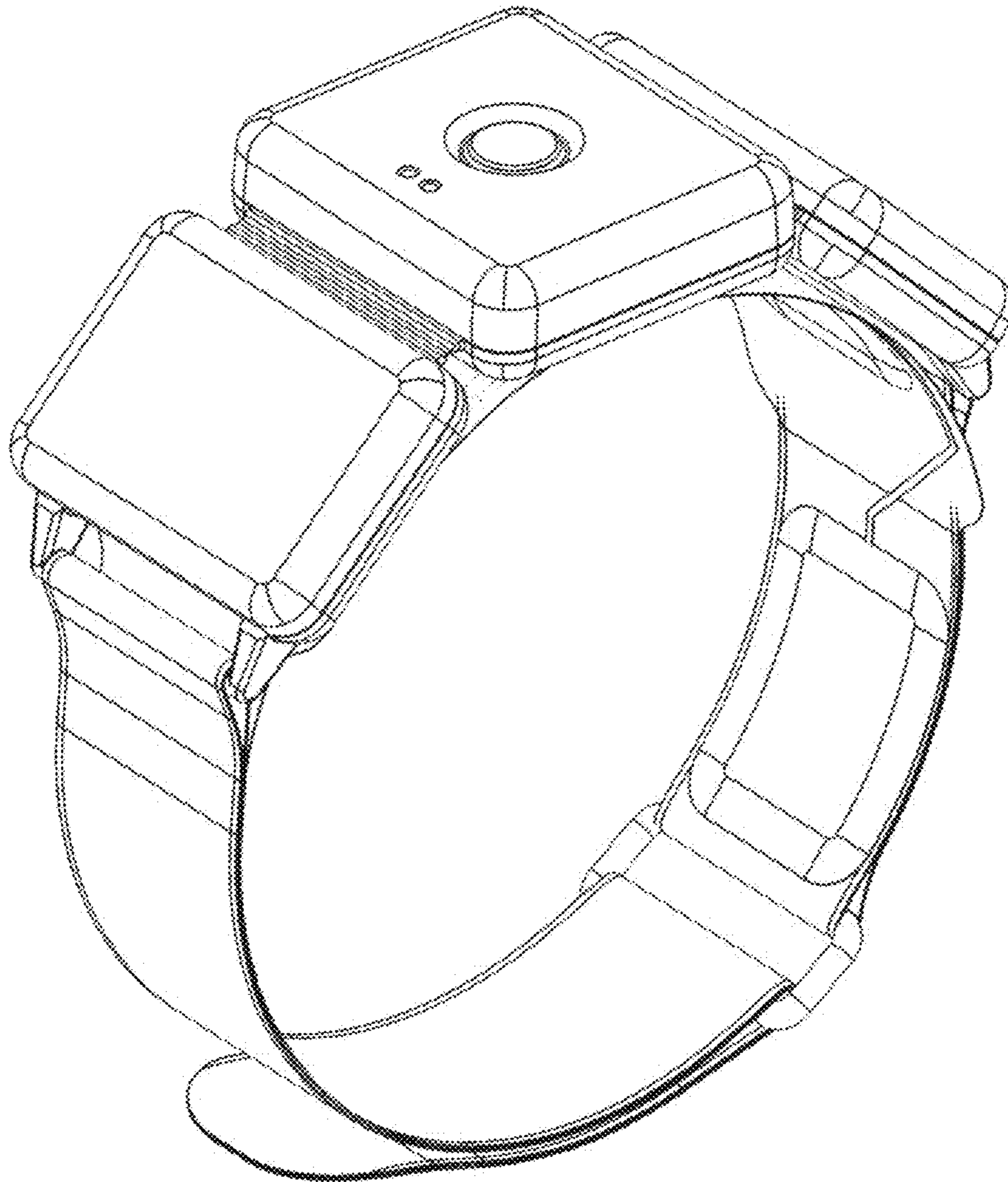


FIG. 2

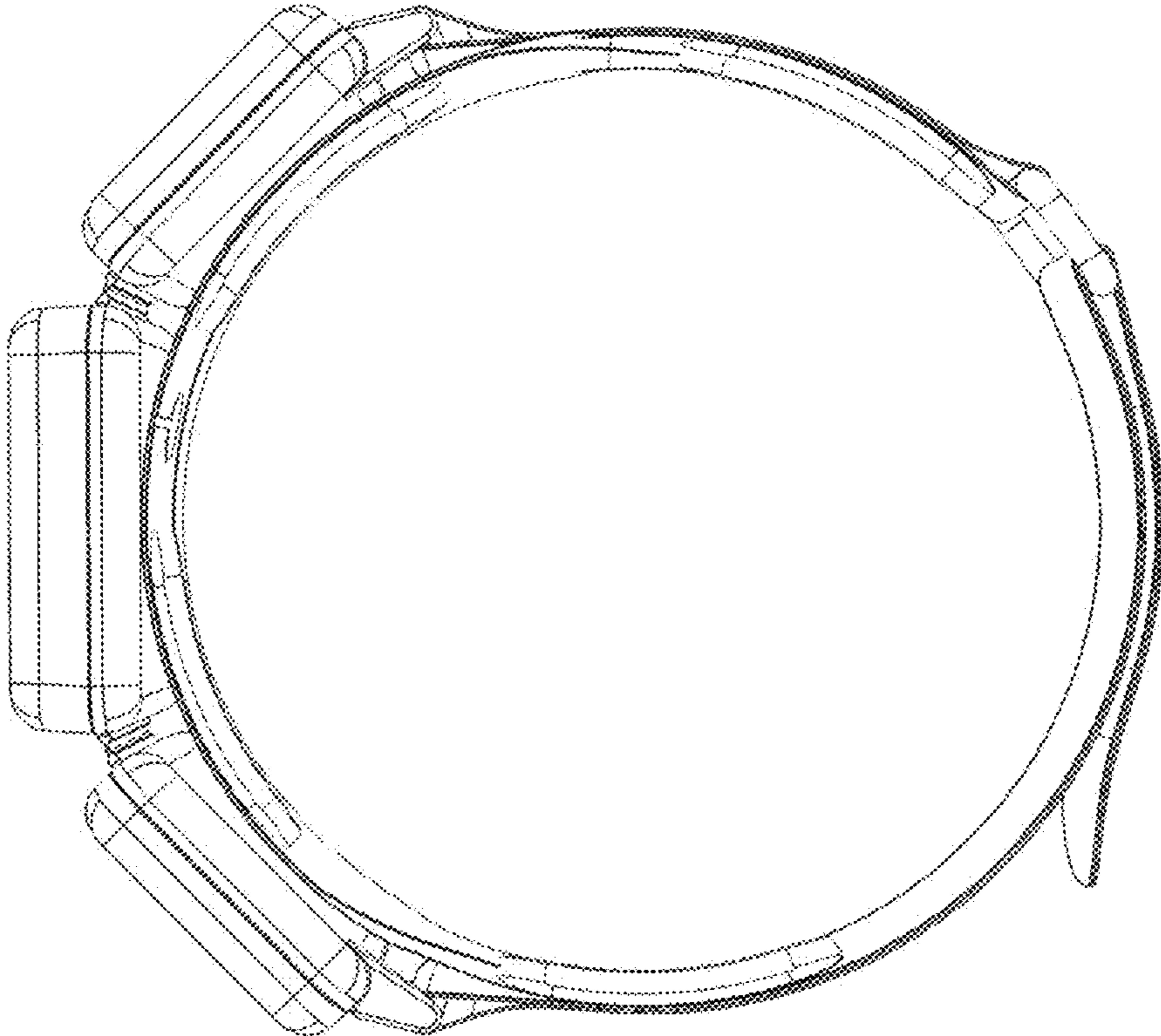


FIG. 3

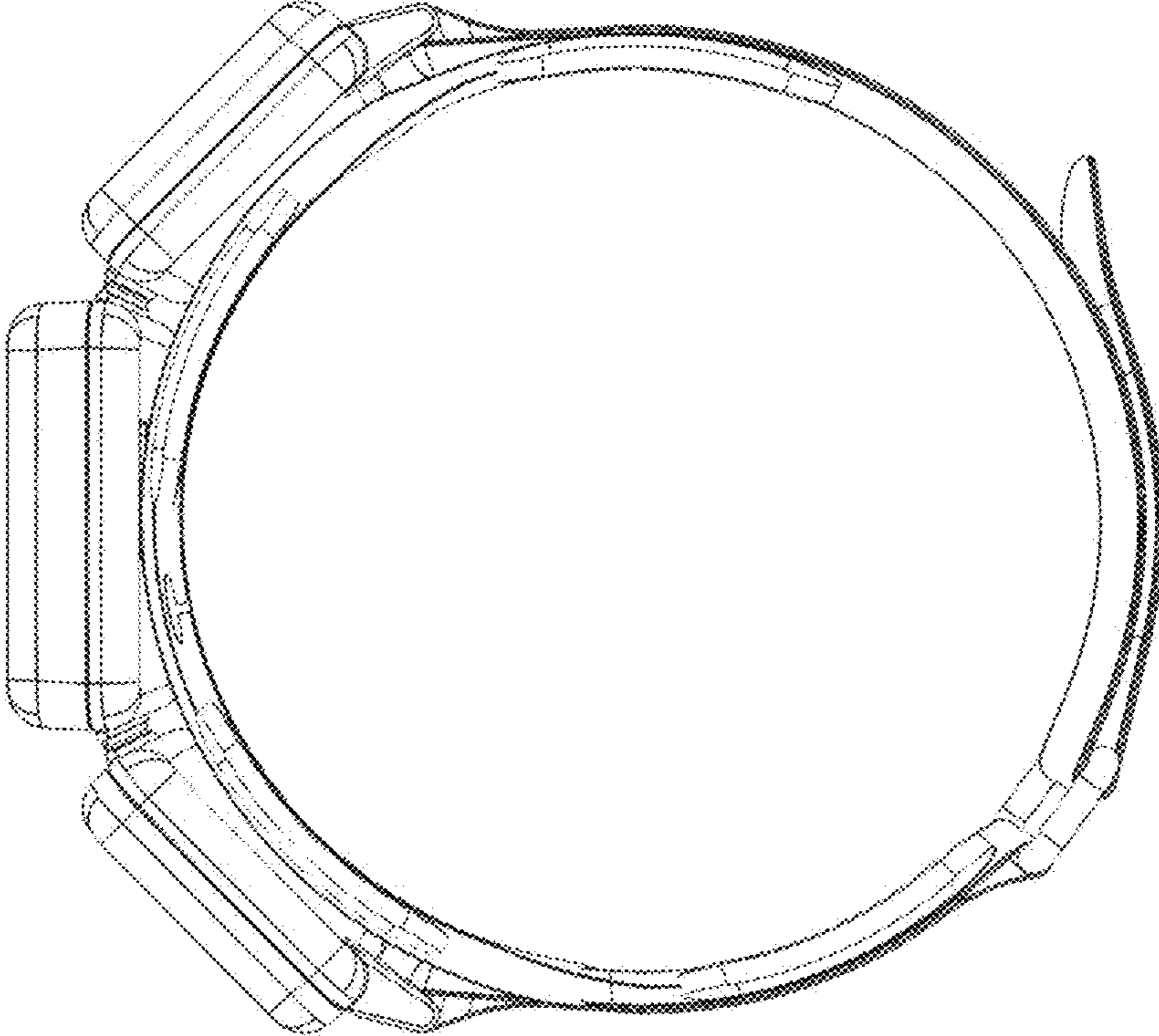


FIG. 4

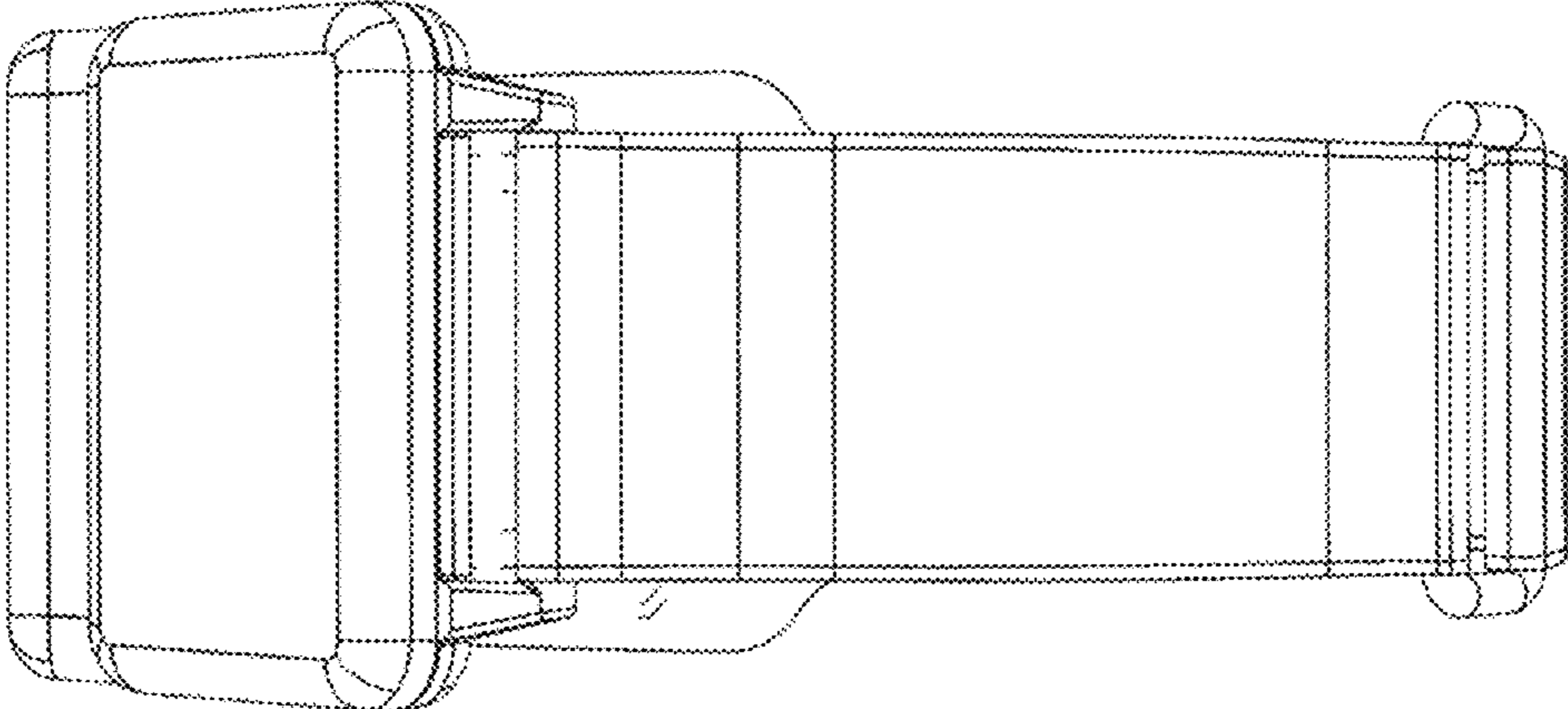


FIG. 5

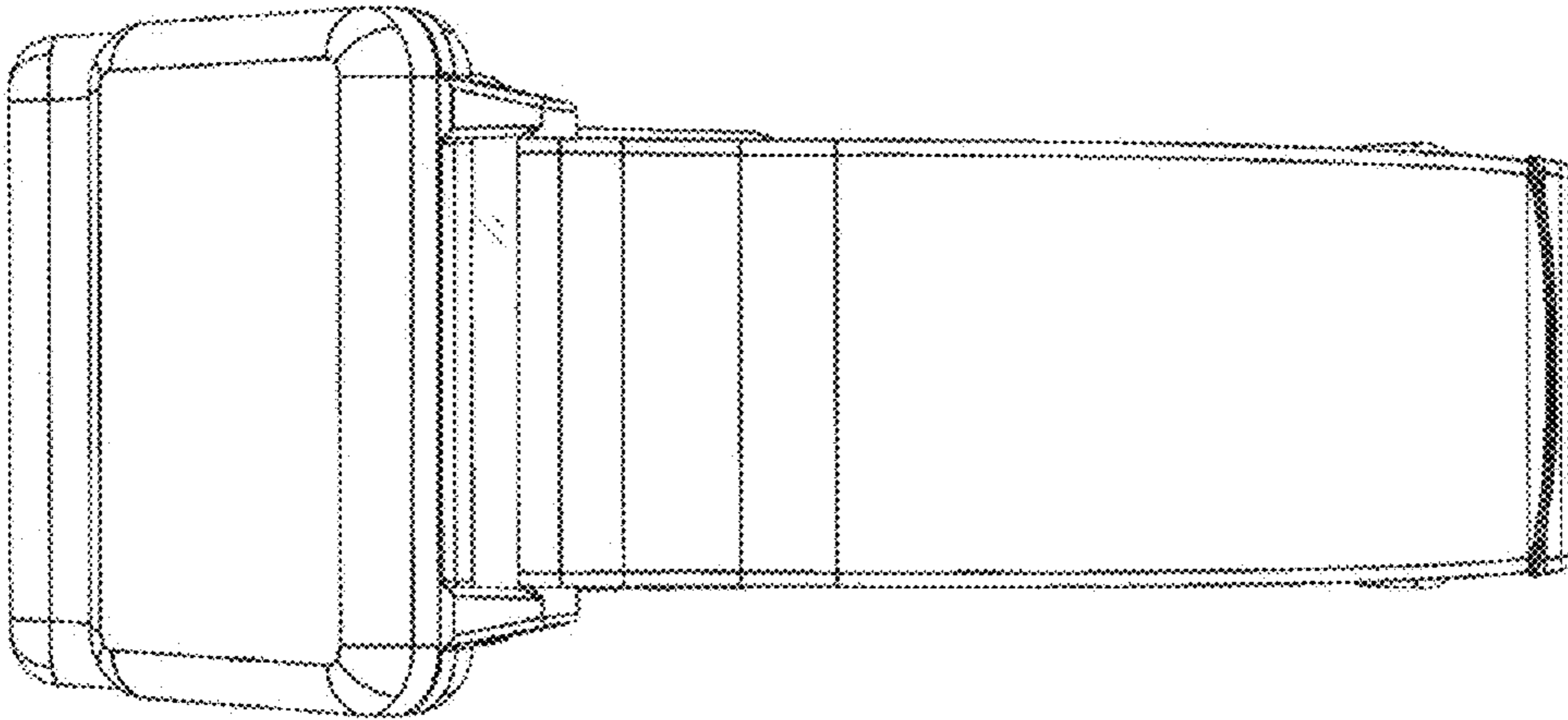


FIG. 6

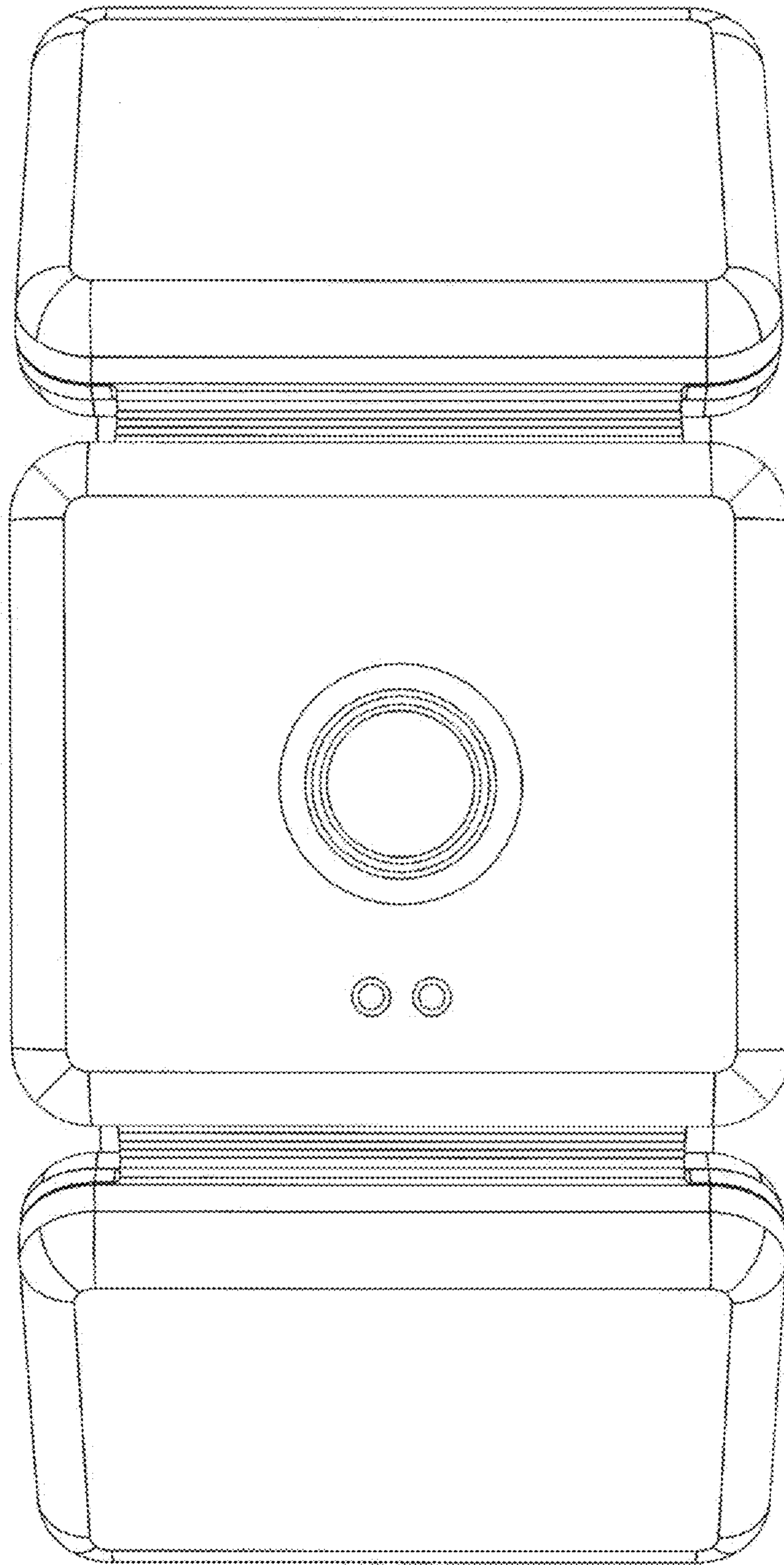


FIG. 7

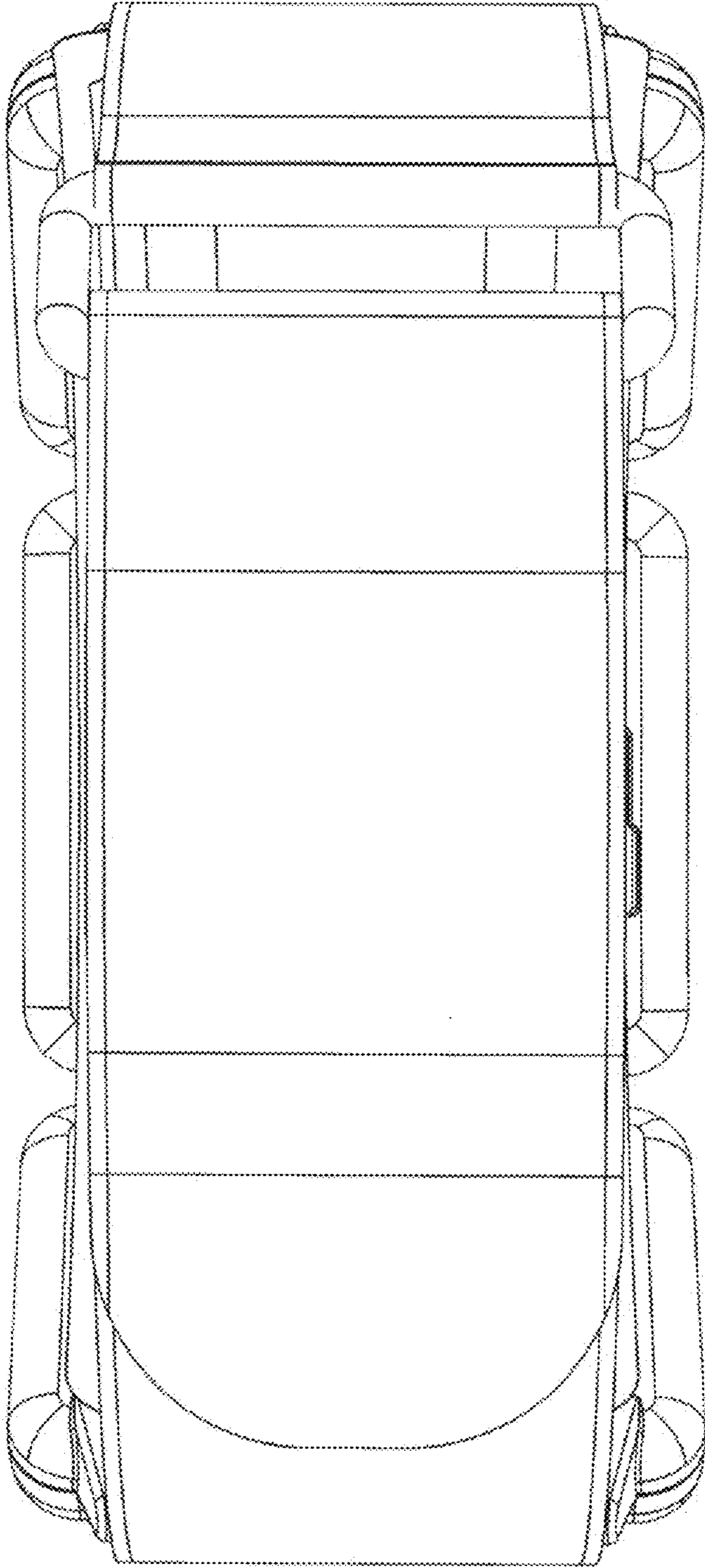


FIG. 8

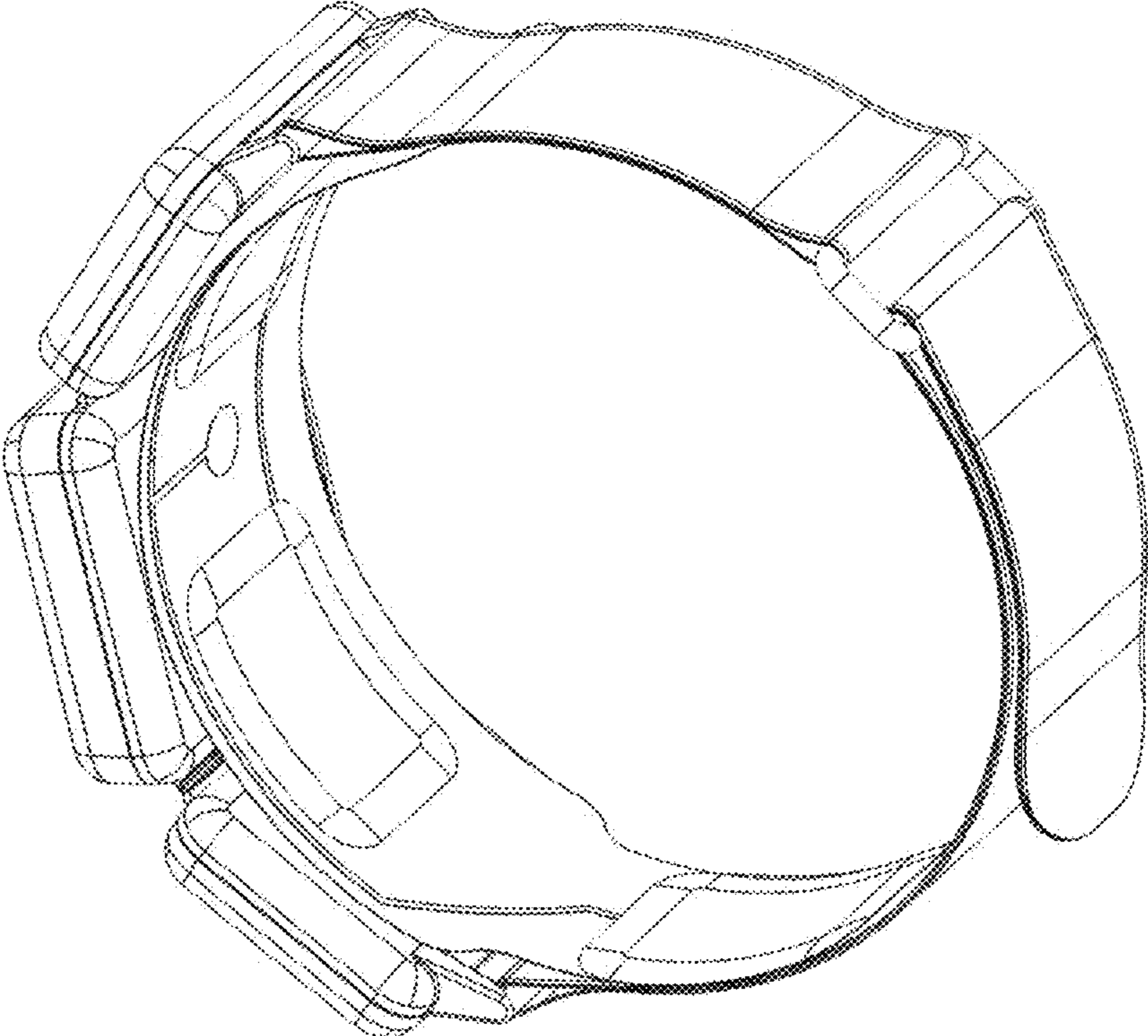


FIG. 9

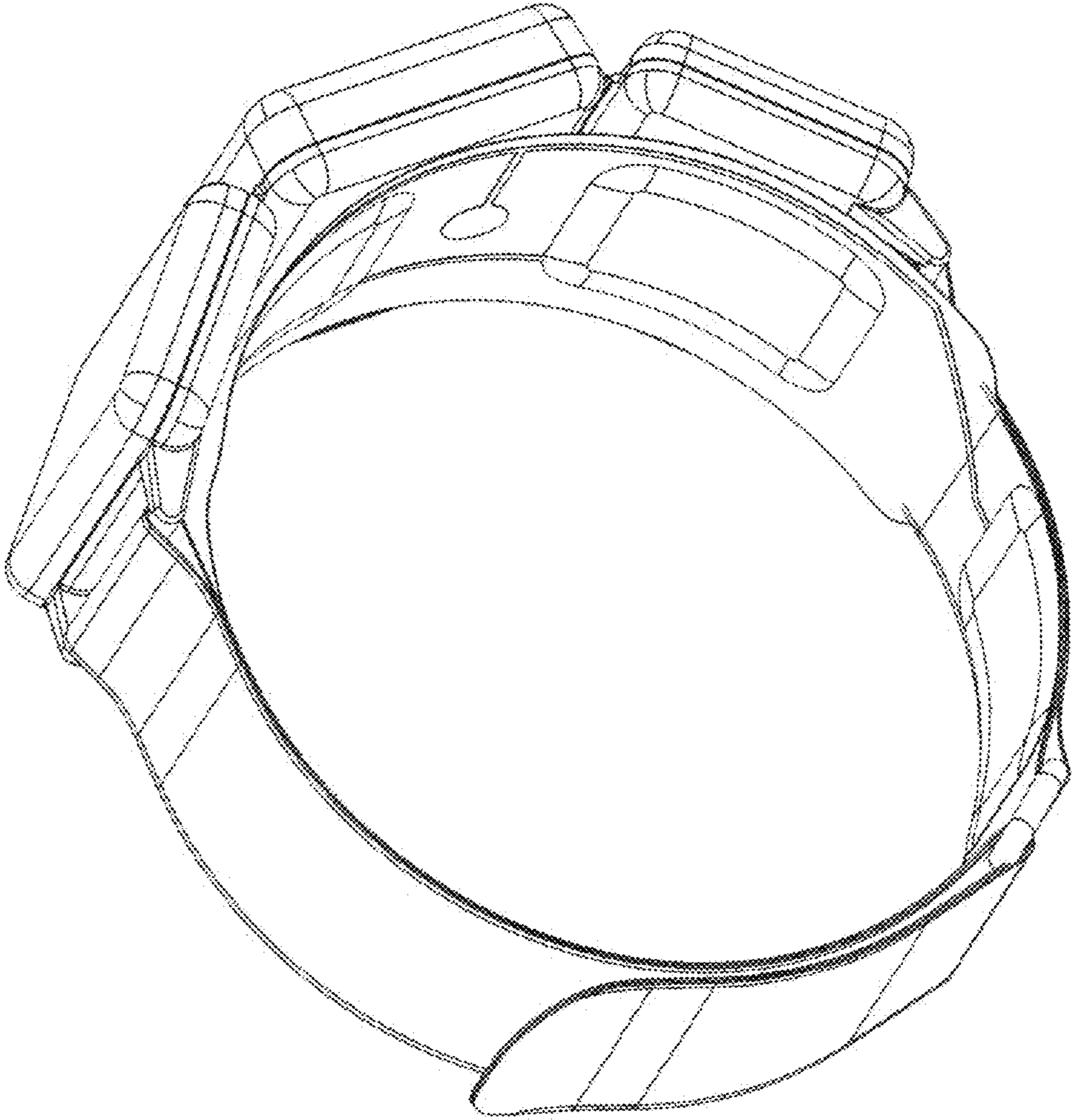


FIG. 10