

US00D716455S

(12) **United States Design Patent**  
**Rusin et al.**

(10) **Patent No.:** **US D716,455 S**  
(45) **Date of Patent:** **\*\* Oct. 28, 2014**

(54) **DENTAL CAD/CAM MANDREL**

(71) Applicant: **3M Innovative Properties Company**,  
St. Paul, MN (US)

(72) Inventors: **Richard P. Rusin**, Woodbury, NH (US);  
**Brady P. Haislet**, Independence, MN  
(US); **Darin J. Meyertholen**, Woodbury,  
MN (US)

(73) Assignee: **3M Innovative Properties Company**,  
St. Paul, MN (US)

(\*\*) Term: **14 Years**

(21) Appl. No.: **29/443,581**

(22) Filed: **Jan. 18, 2013**

(51) **LOC (10) Cl.** ..... **24-02**

(52) **U.S. Cl.**  
USPC ..... **D24/181**

(58) **Field of Classification Search**  
USPC ..... D24/152, 181, 155-156, 176;  
433/49-50, 201.1, 202.1, 213, 34, 197;  
264/16, 19, 138, 219, 266, 271.1;  
428/542.8; 700/118

See application file for complete search history.

(56) **References Cited**

**U.S. PATENT DOCUMENTS**

4,615,678 A 10/1986 Moermann  
5,342,696 A \* 8/1994 Eidenbenz et al. .... 428/542.8

(Continued)

**FOREIGN PATENT DOCUMENTS**

DE 19733161 9/2000

**OTHER PUBLICATIONS**

Sirona. The Dental Company. Overview: Brochure Sirona CAD/  
CAM Materials (Mar. 23, 2012). "Top quality geared to challenging

applications." Web. May 10, 2013. <[http://www.sirona.com/ecomaXL/get\\_blob.php?name=A91100-M43-B191-01-7600.pdf&download=1](http://www.sirona.com/ecomaXL/get_blob.php?name=A91100-M43-B191-01-7600.pdf&download=1)>.

(Continued)

Primary Examiner — Wan Laymon

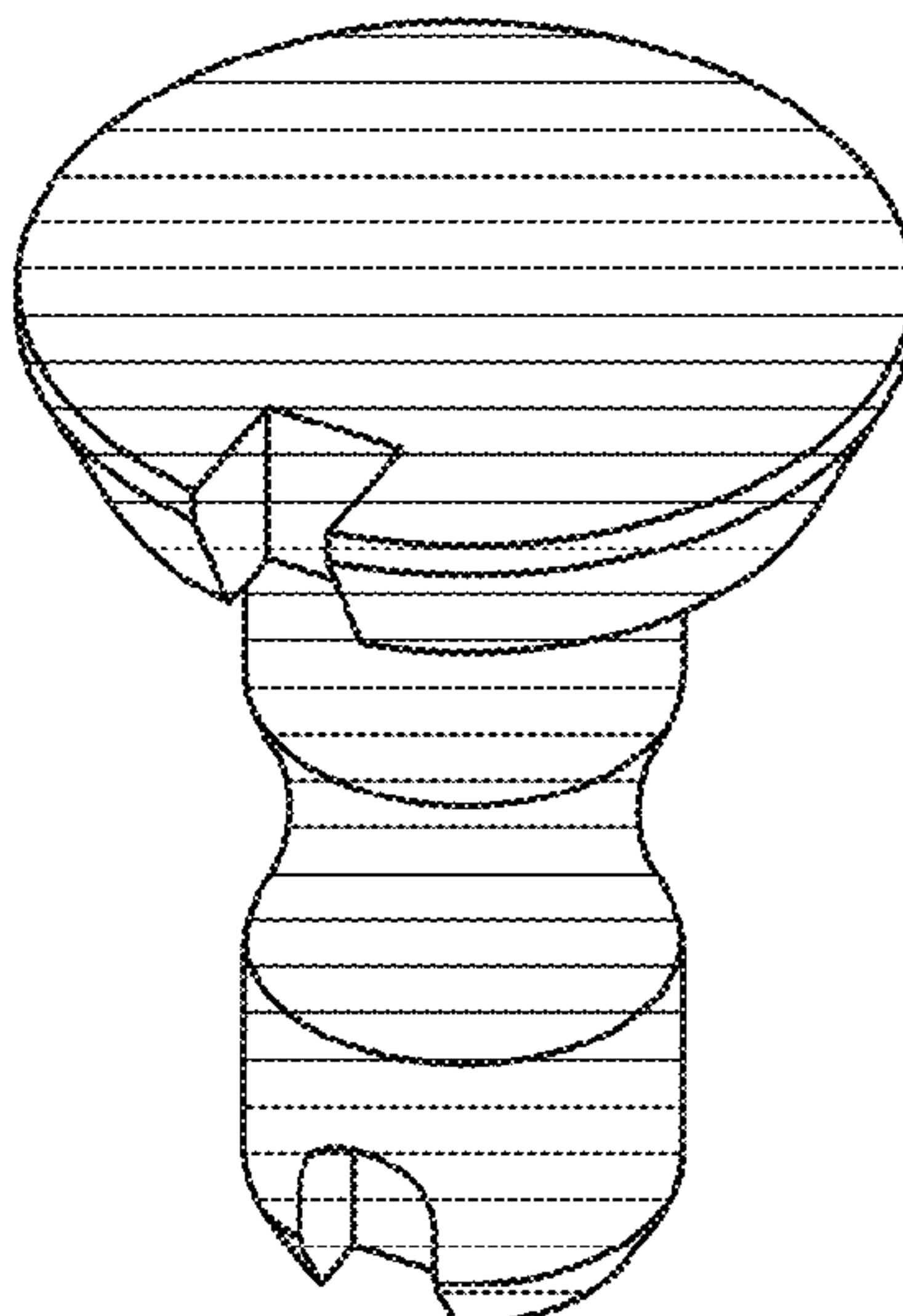
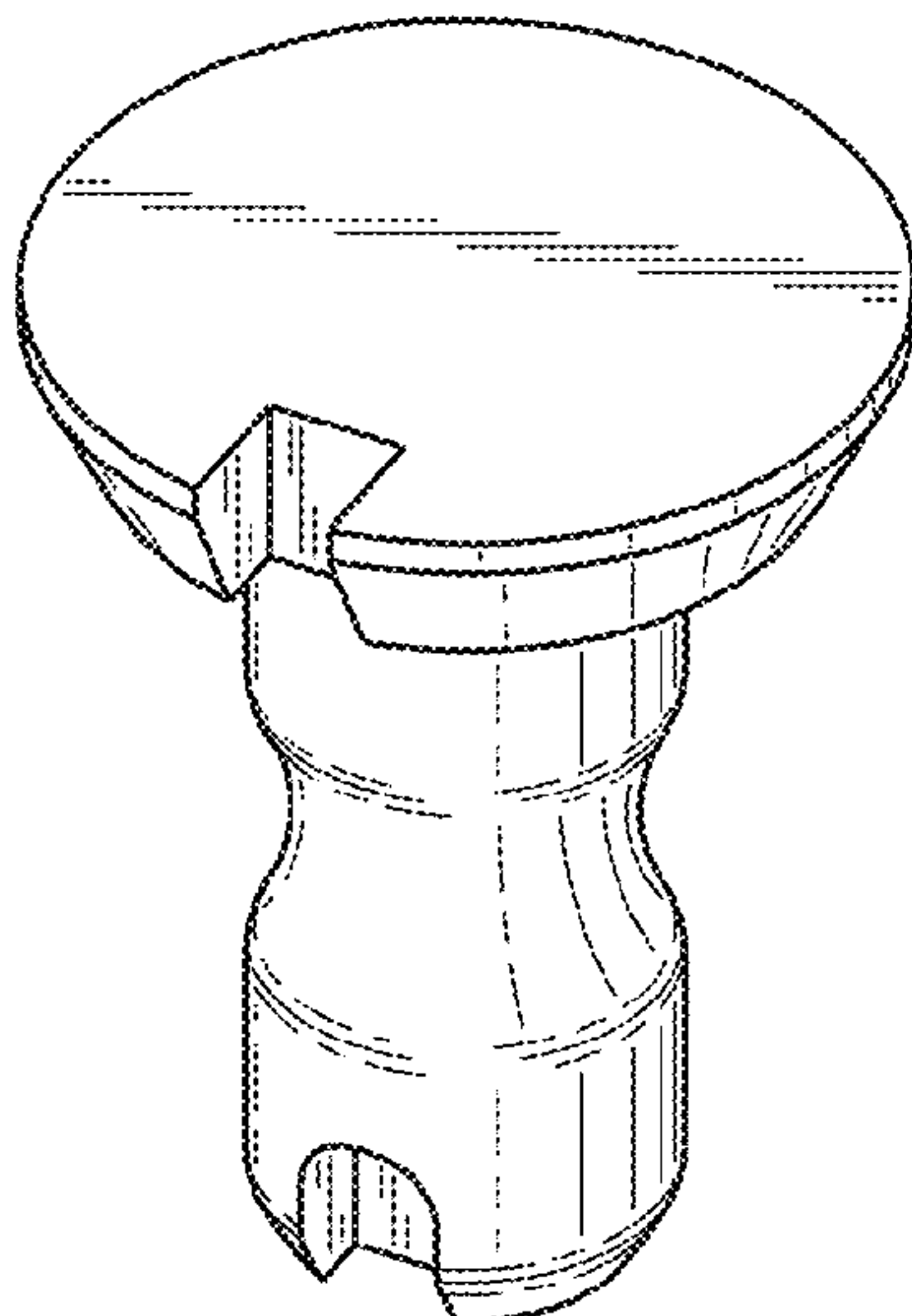
(57) **CLAIM**

The ornamental designs for the dental CAD/CAM mandrel,  
as shown and described.

**DESCRIPTION**

FIG. 1 is a first perspective view of a dental CAD/CAM mandrel of the present invention;  
FIG. 2 is a first side view thereof;  
FIG. 3 is a second side view thereof;  
FIG. 4 is a third side view thereof;  
FIG. 5 is a top view thereof;  
FIG. 6 is a bottom view thereof;  
FIG. 7 is a second perspective view thereof, depicting in broken lines a dental blank that can be supported by the dental CAD/CAM mandrel of the invention;  
FIG. 8 is a first perspective view of a dental CAD/CAM mandrel of the present invention, lined for the color blue;  
FIG. 9 is a first side view thereof, lined for the color blue;  
FIG. 10 is a second side view thereof, lined for the color blue;  
FIG. 11 is a third side view thereof, lined for the color blue;  
FIG. 12 is a top view thereof, lined for the color blue;  
FIG. 13 is a bottom view thereof, lined for the color blue; and,  
FIG. 14 is a second perspective view thereof, depicting in broken lines a dental blank that can be supported by the dental CAD/CAM mandrel of the invention, lined for the color blue. The broken-line objects in FIGS. 7 and 14 are presented for illustrative purposes only and form no part of the claimed designs.

**1 Claim, 4 Drawing Sheets**



(56)

**References Cited**

U.S. PATENT DOCUMENTS

5,939,211 A \* 8/1999 Mormann ..... 428/542.8  
6,224,371 B1 5/2001 De Luca  
6,627,327 B2 \* 9/2003 Brunzell et al. .... 428/542.8  
6,660,400 B1 12/2003 Hintersehr  
6,669,875 B2 \* 12/2003 Meyertholen et al. .... 264/16  
7,214,435 B2 \* 5/2007 Meyertholen et al. .... 428/542.8  
D618,807 S \* 6/2010 Konrad et al. .... D24/181  
7,985,119 B2 \* 7/2011 Basler et al. .... 433/202.1  
8,186,998 B2 5/2012 Rothenberger  
8,443,502 B2 \* 5/2013 Galehr ..... 433/49  
2007/0050072 A1 \* 3/2007 Schwotzer ..... 700/118  
2009/0075238 A1 3/2009 Galehr

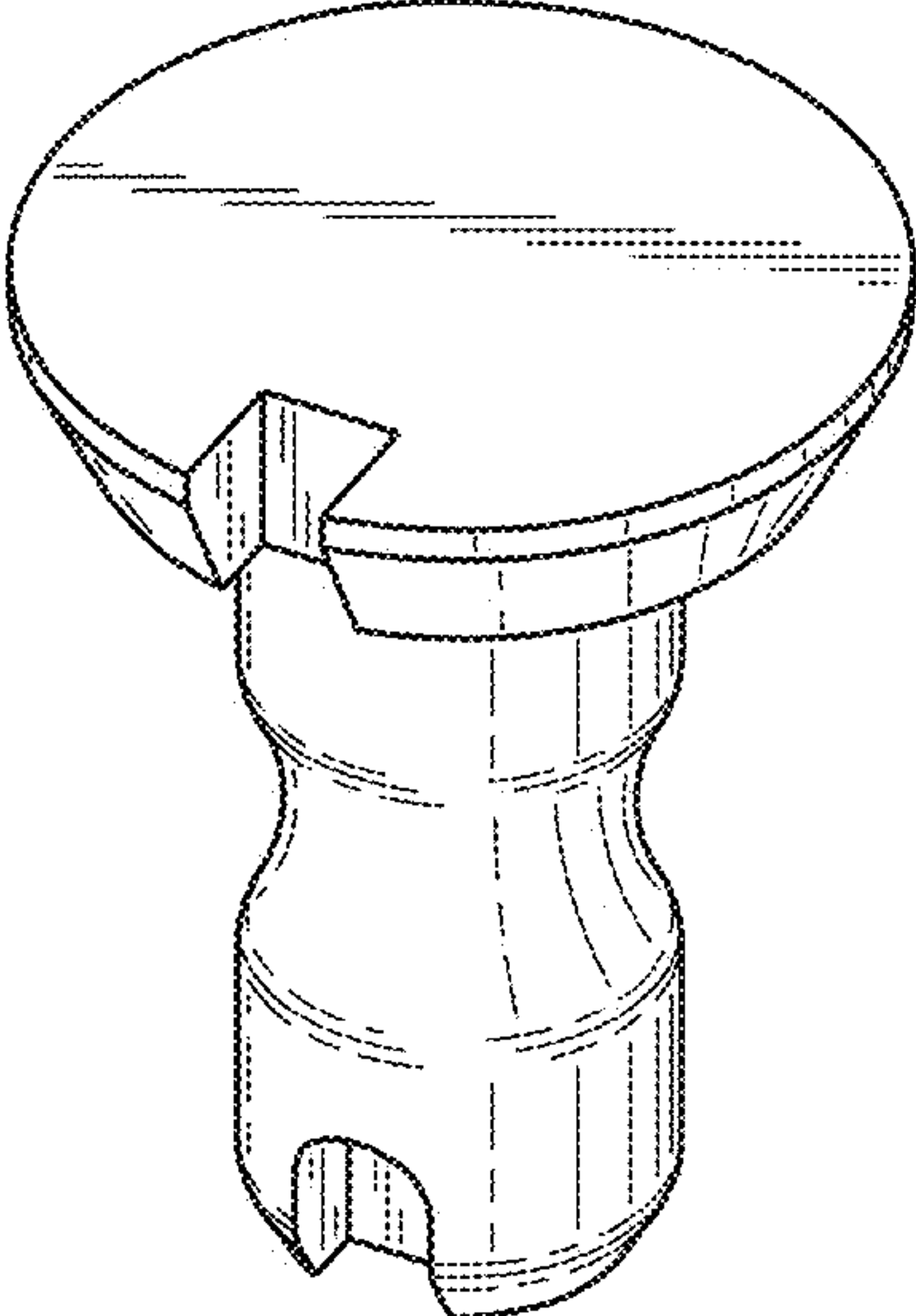
2010/0028834 A1 2/2010 Galehr  
2010/0297580 A1 11/2010 Niewiadomski  
2011/0042880 A1 2/2011 Konrad  
2011/0229857 A1 9/2011 Niewiadomski  
2013/0062801 A1 \* 3/2013 Giordano ..... 264/16

OTHER PUBLICATIONS

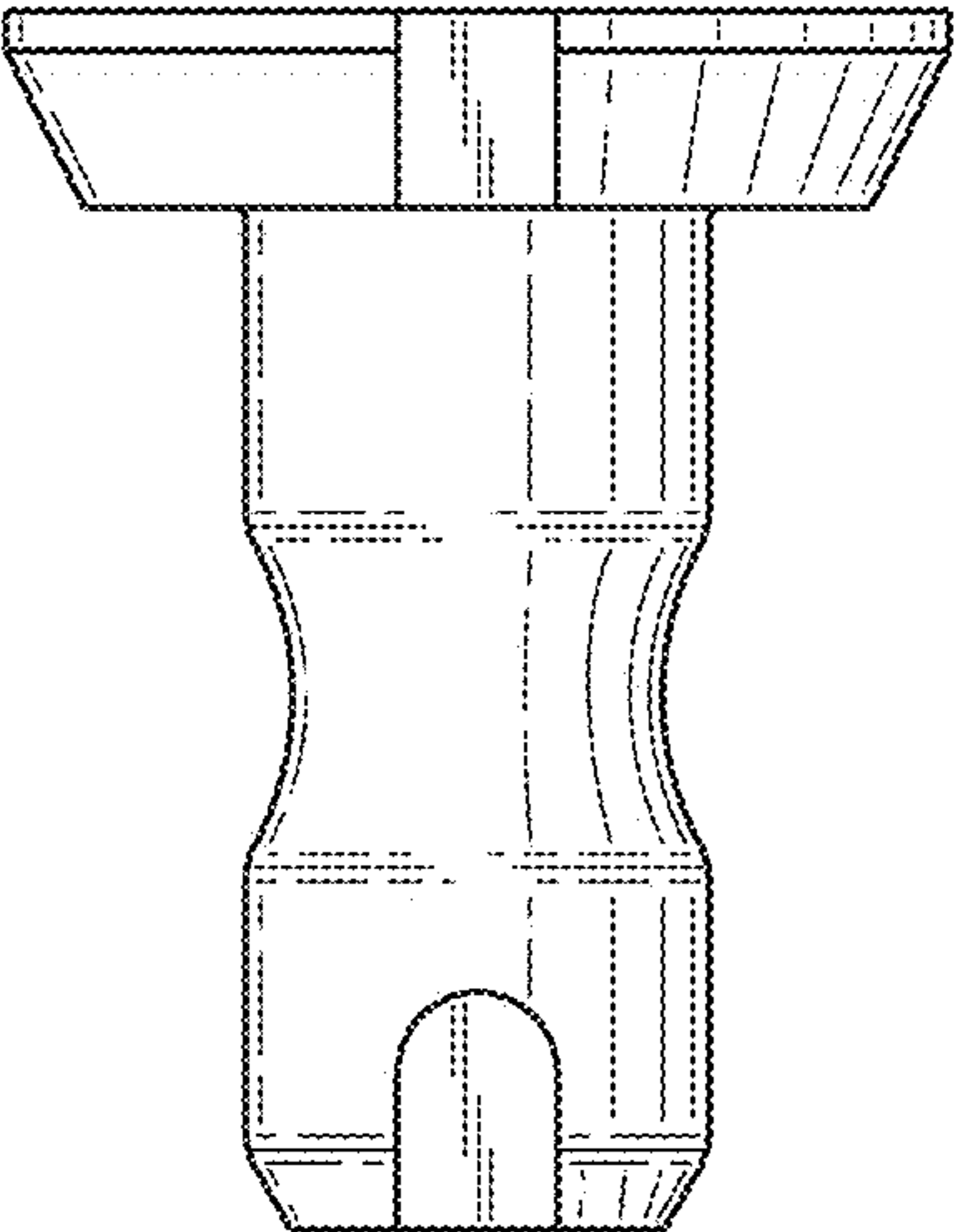
Sirona. The Dental Company. inCoris: Processing Instructions inCoris ZI meso (Jan. 16, 2012). Web. May 10, 2013. <<http://td.sirona.com/pdf/6229418.pdf>>.

Sirona. The Dental Company. inCoris: Processing Instructions inCoris ZI (Jan. 19, 2012). Web. May 10, 2013. <<http://td.sirona.com/pdf/6172568.pdf>>.

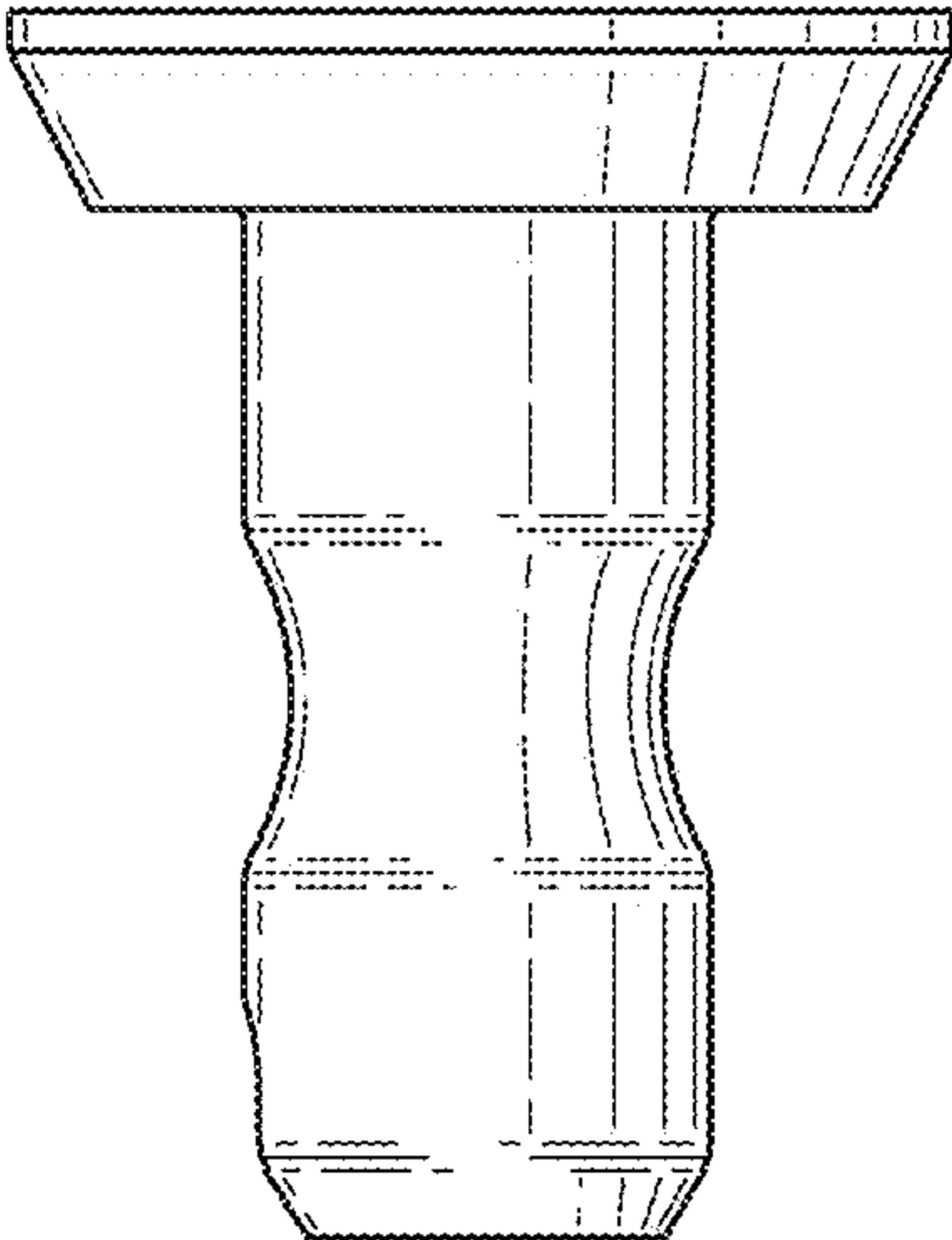
\* cited by examiner



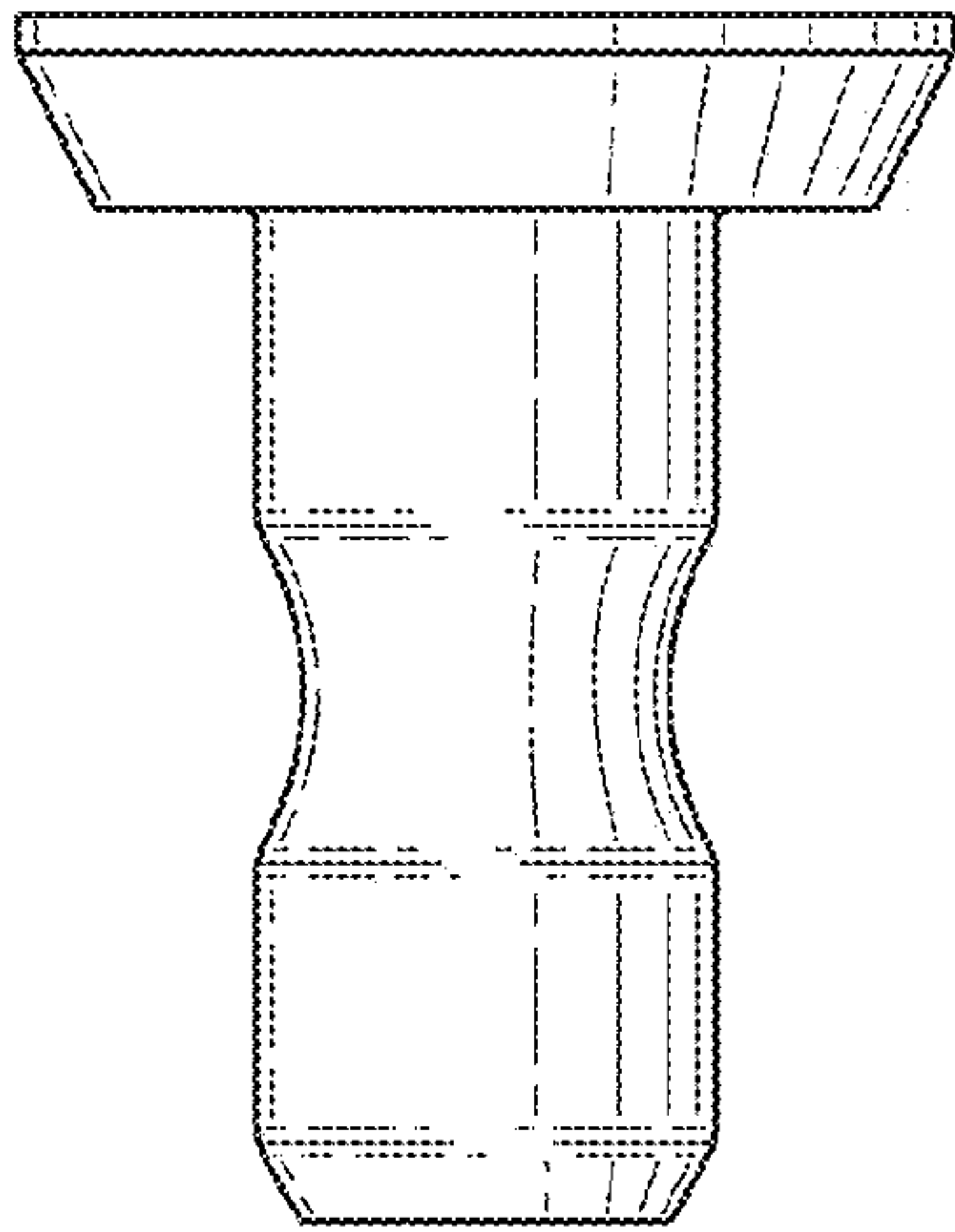
*Fig. 1*



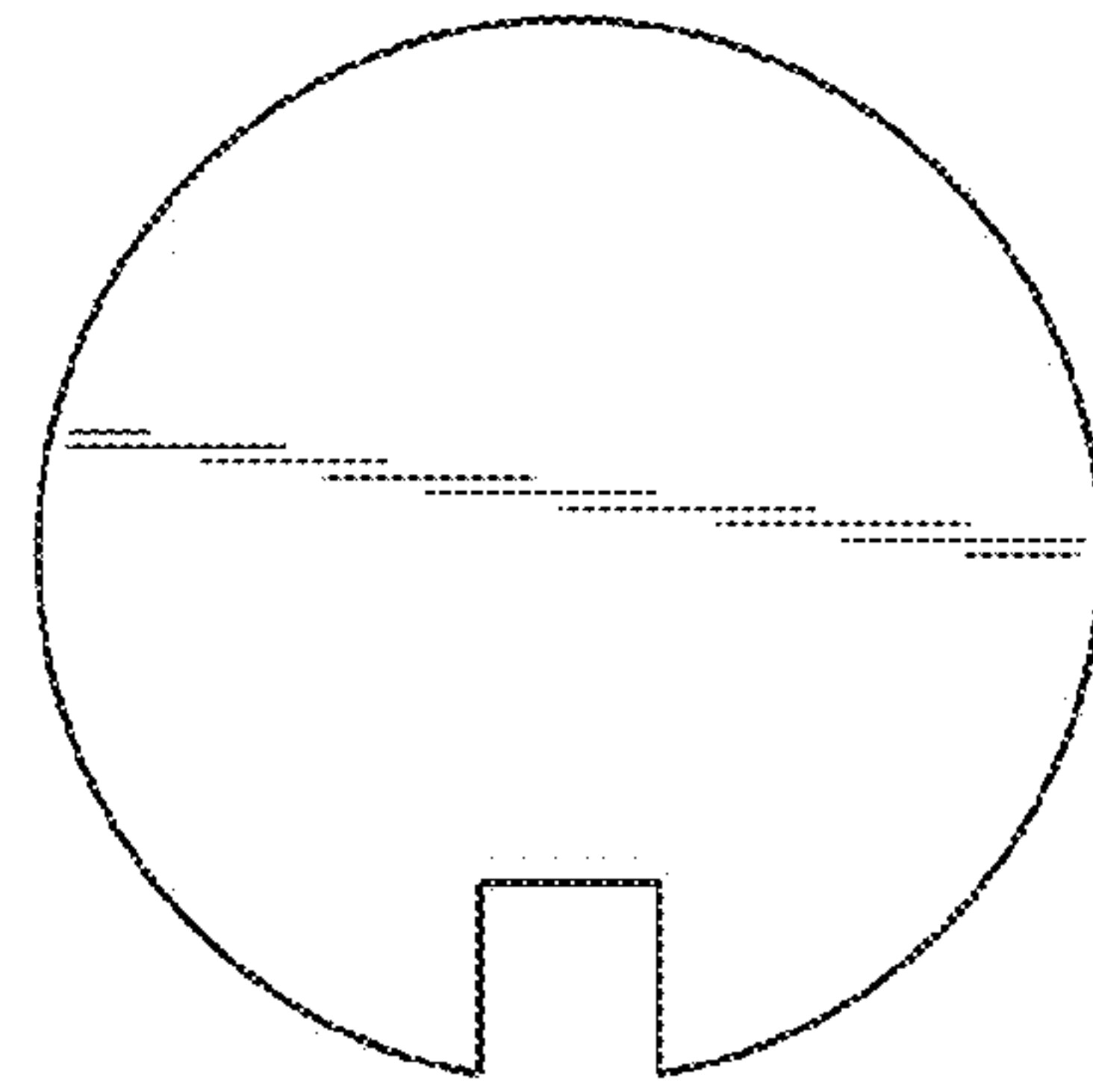
*Fig. 2*



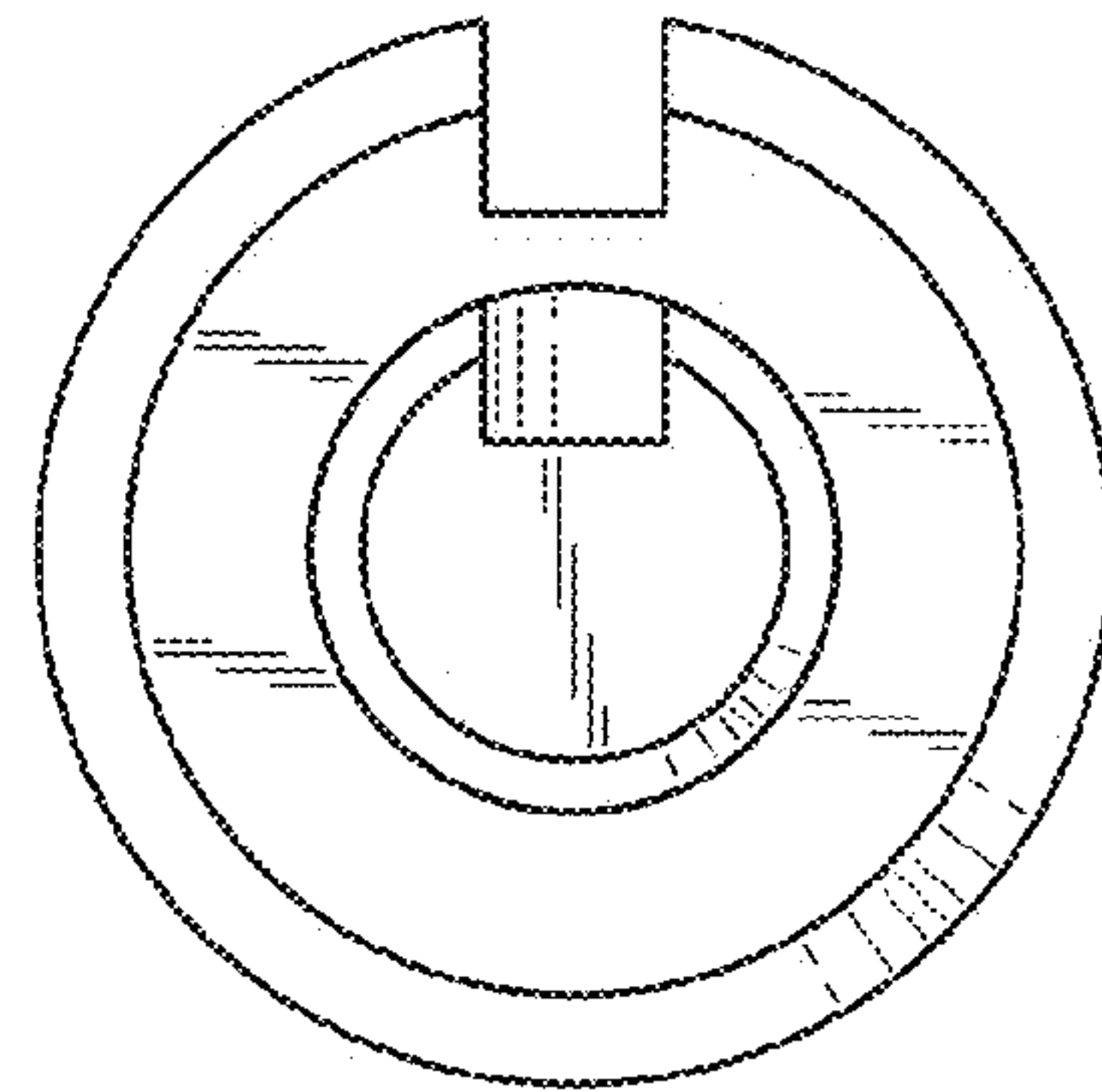
*Fig. 3*



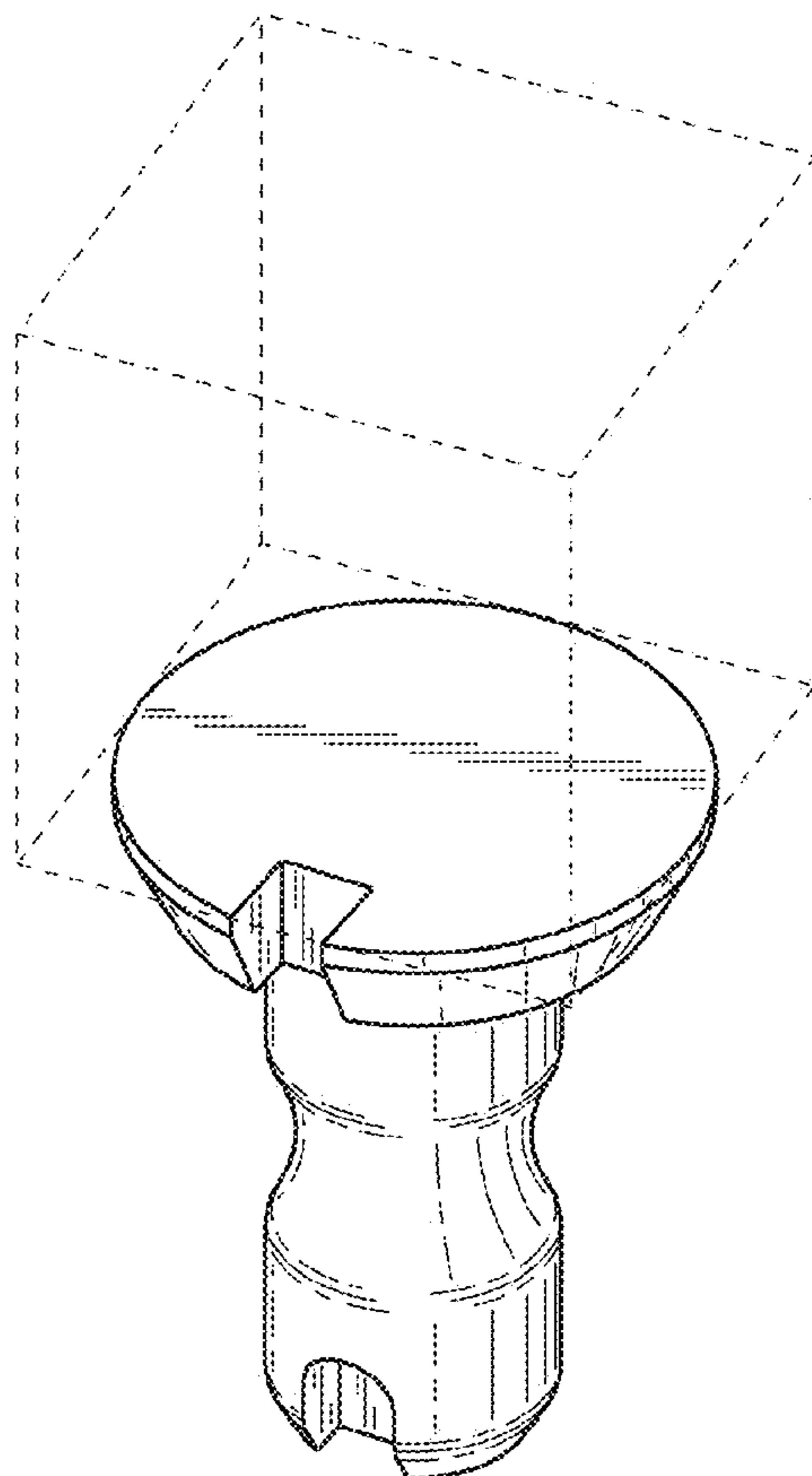
*Fig. 4*



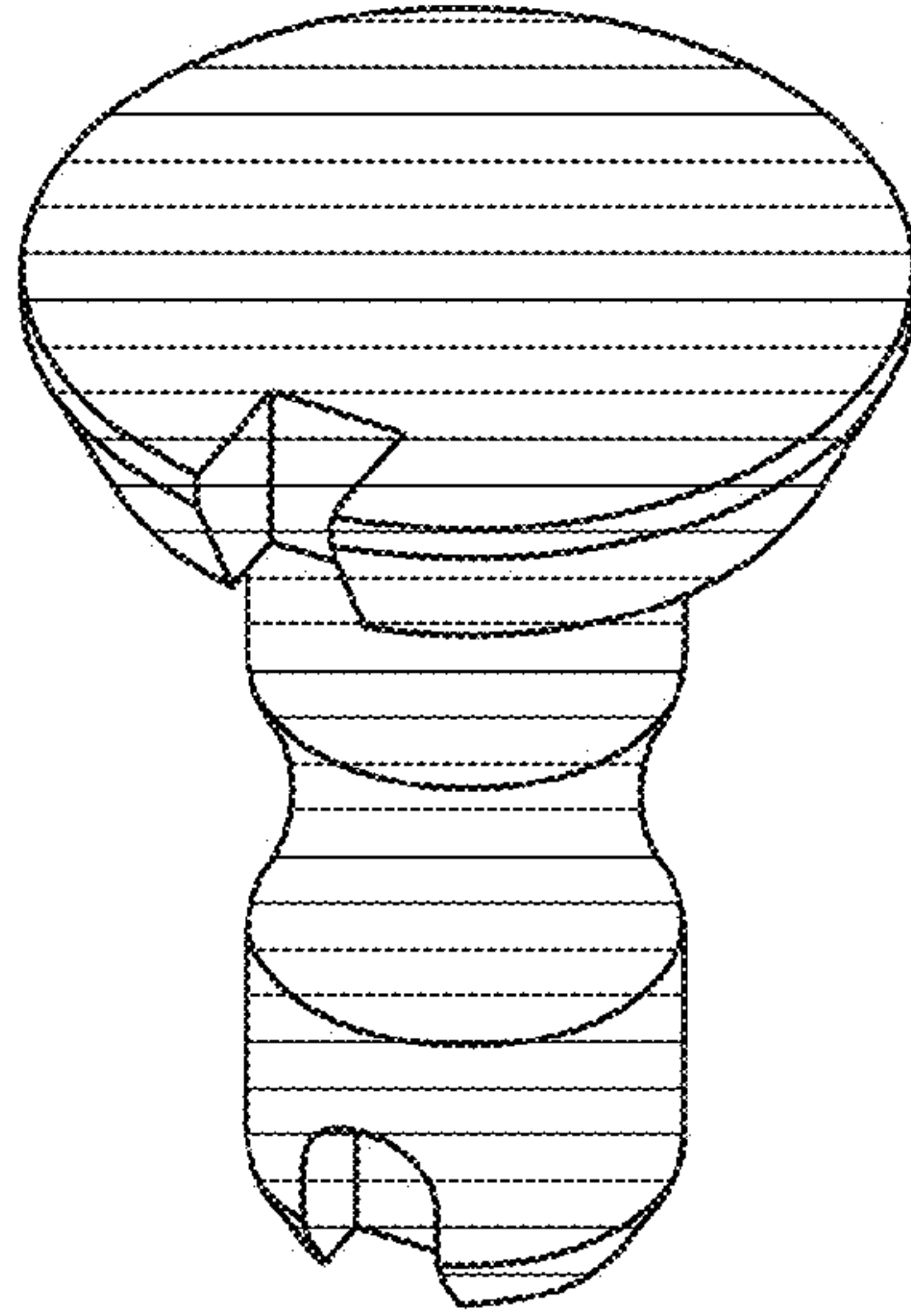
*Fig. 5*



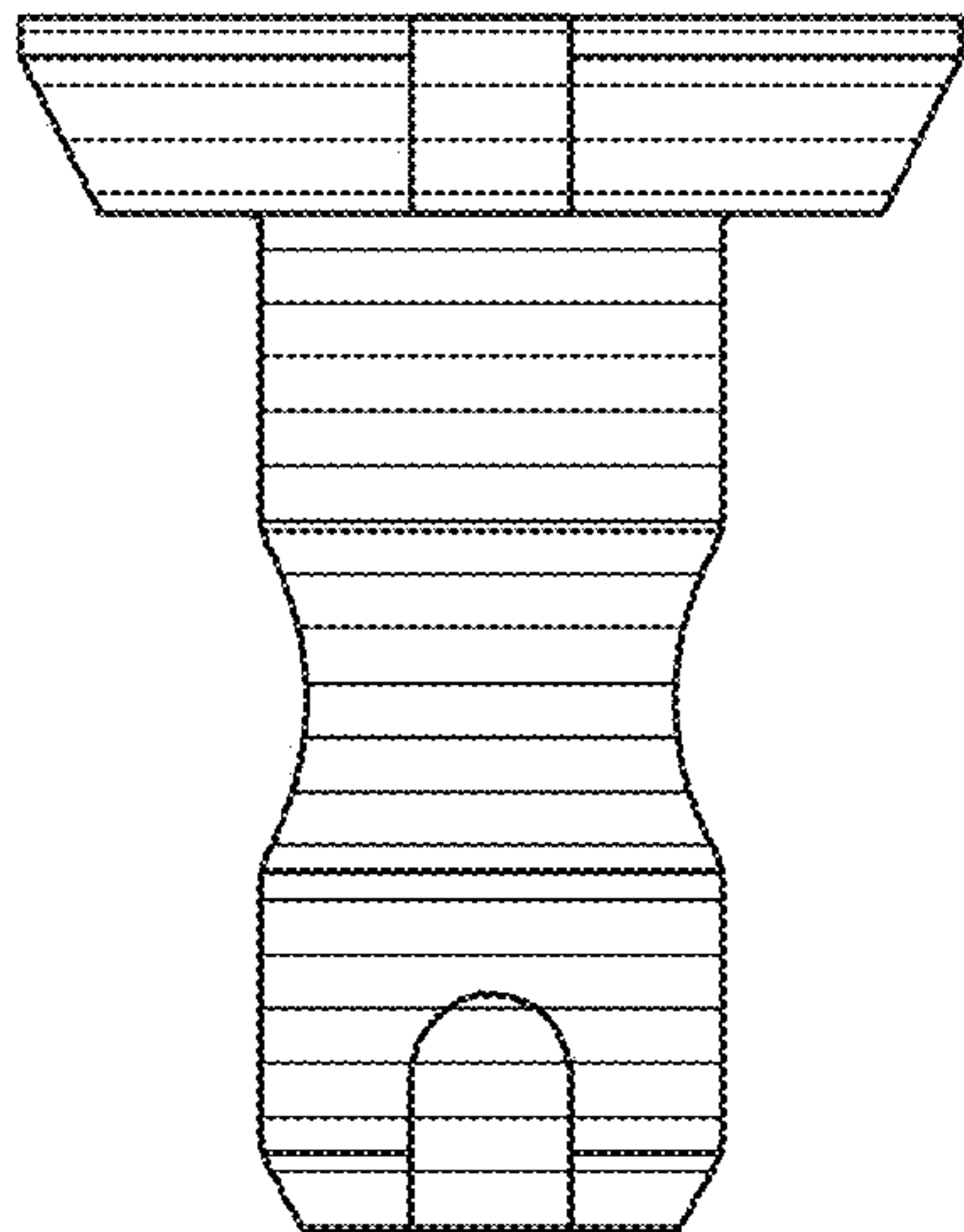
*Fig. 6*



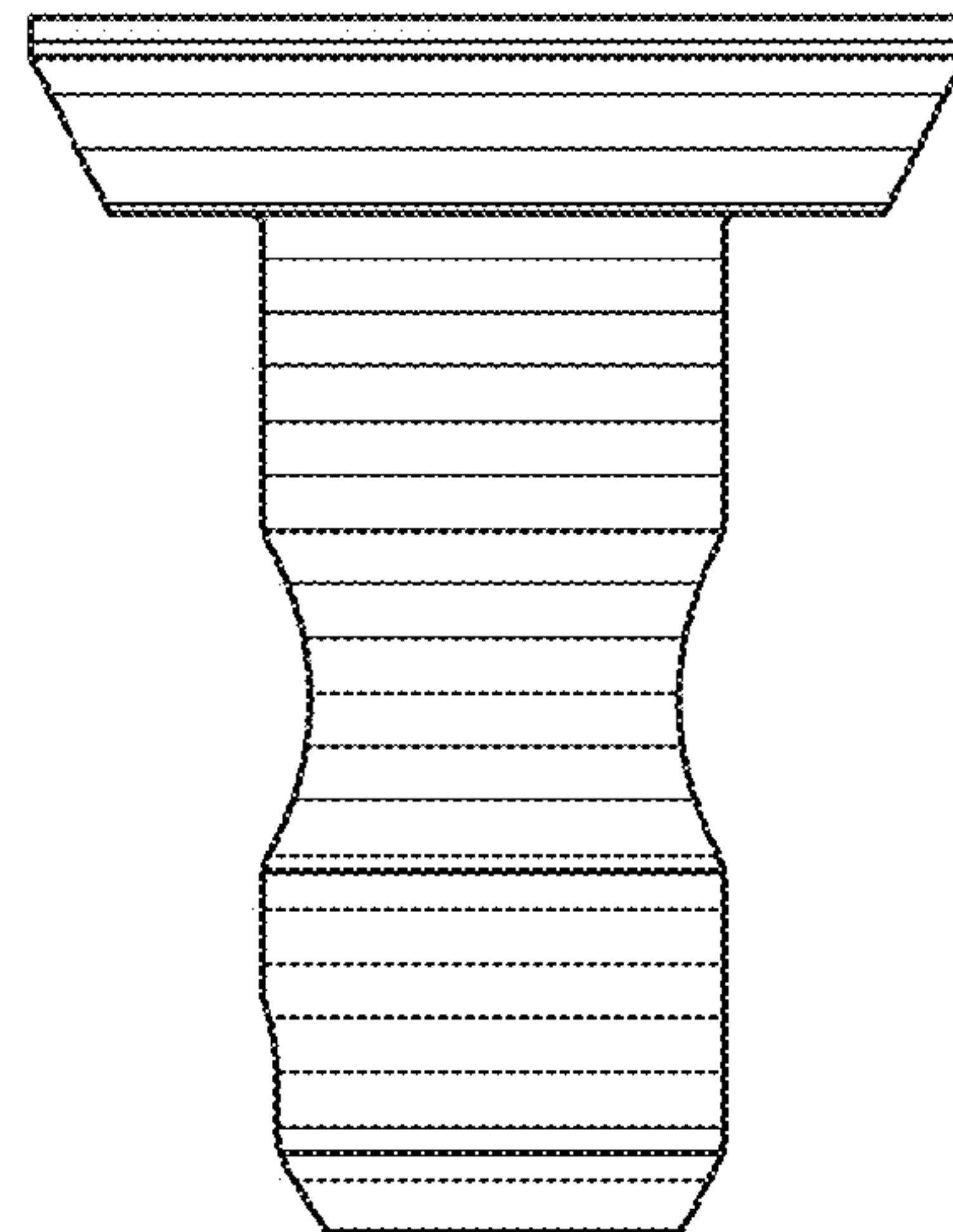
*Fig. 7*



*Fig. 8*

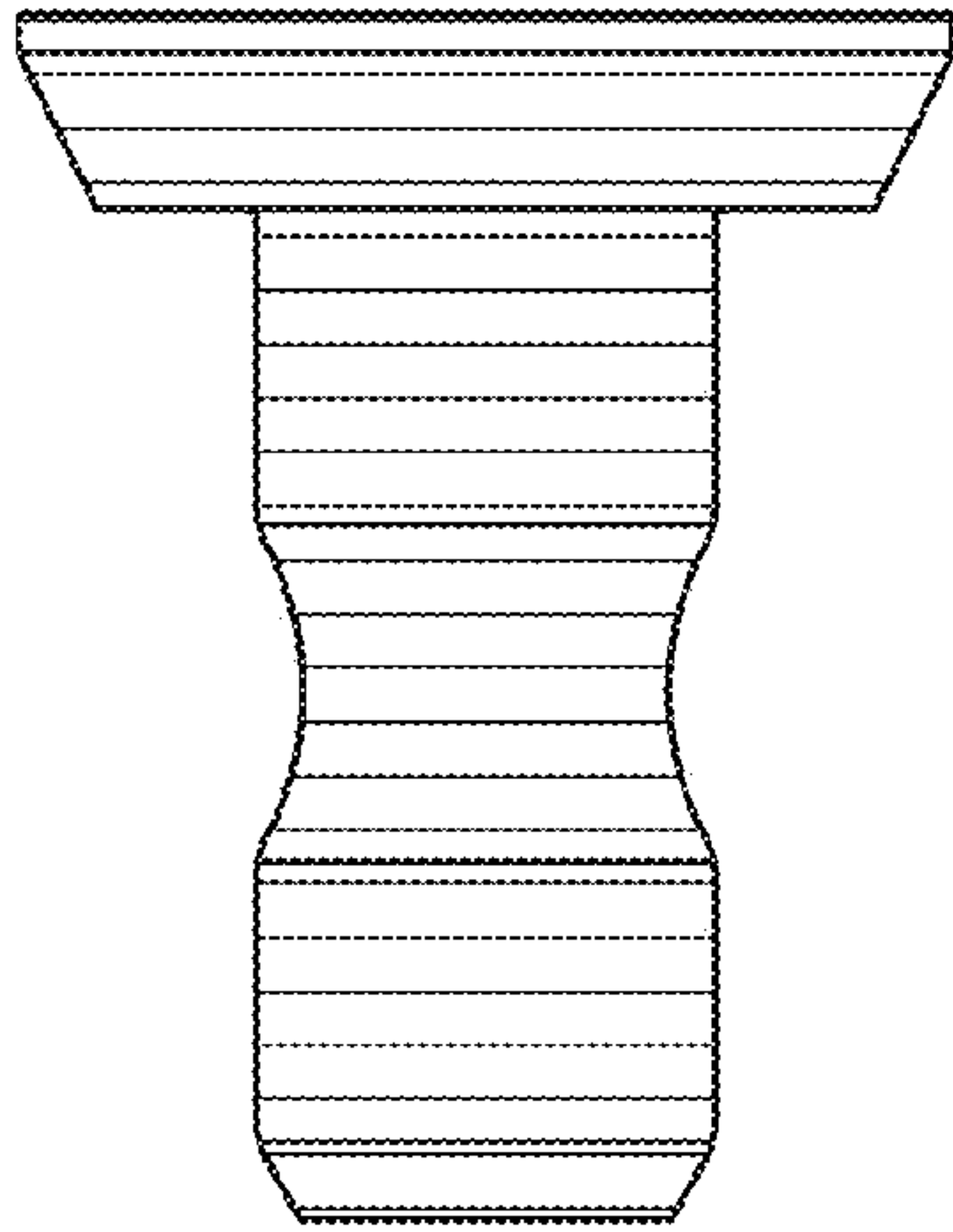


*Fig. 9*

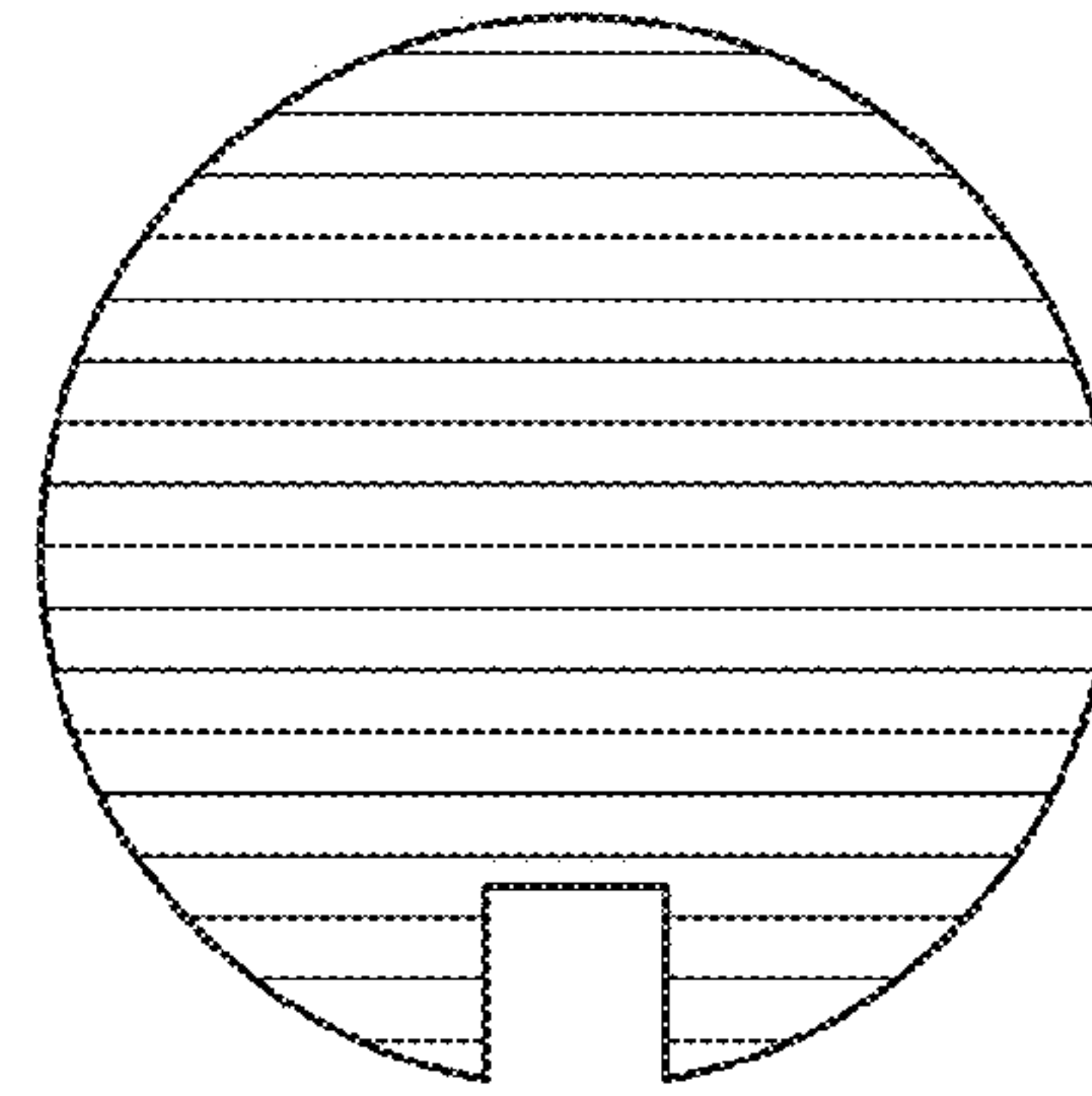


*Fig. 10*

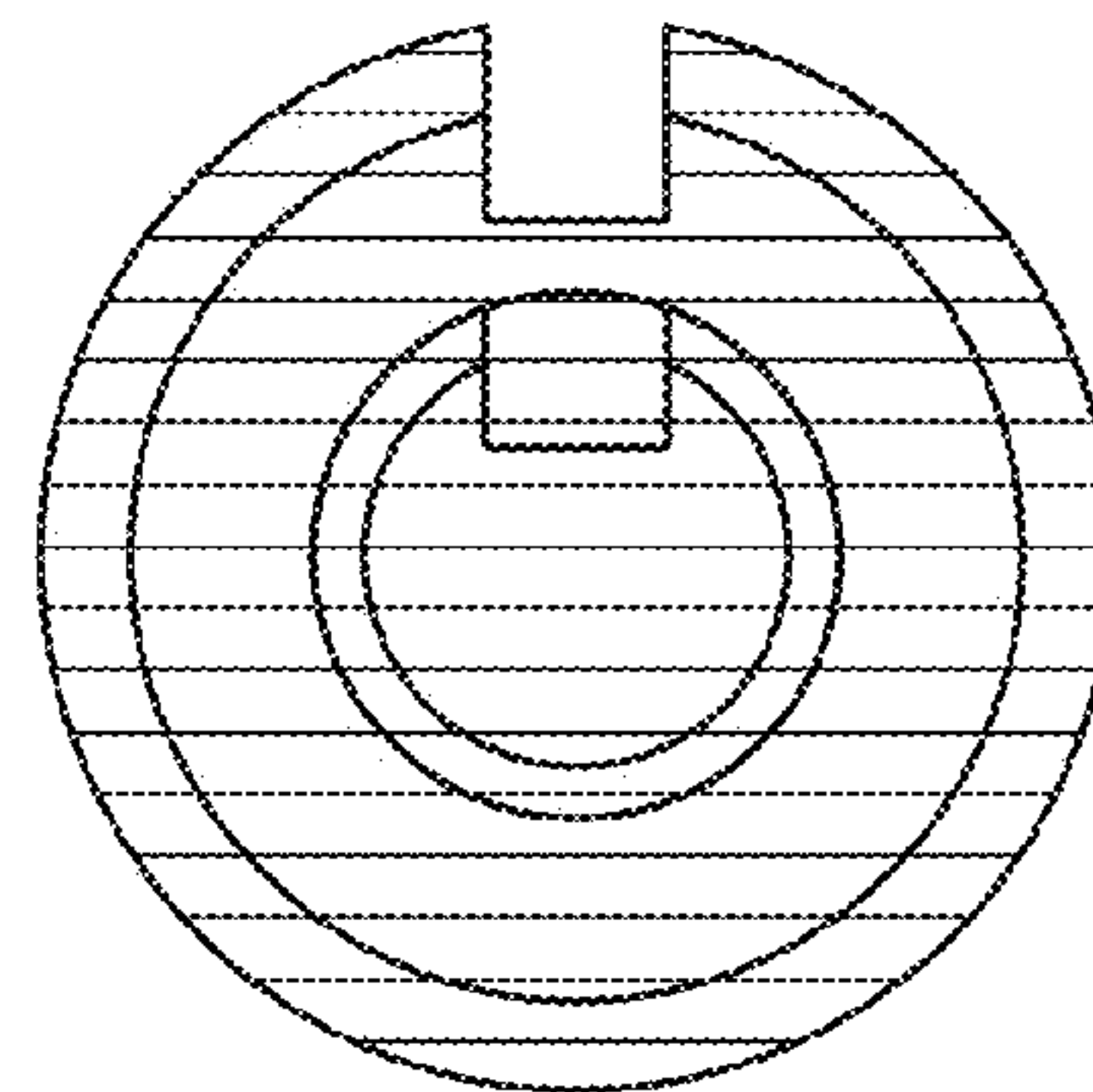




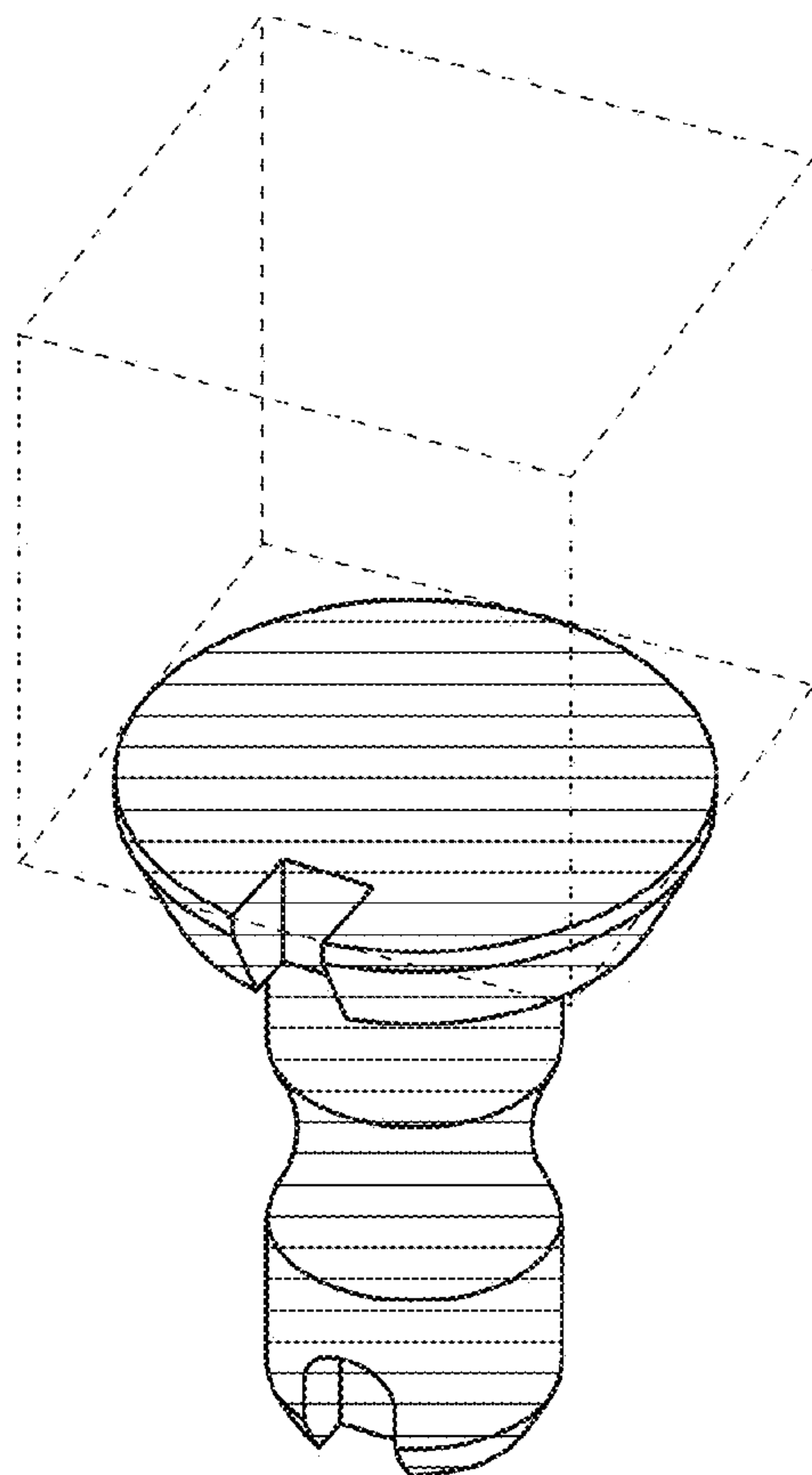
*Fig. 11*



*Fig. 12*



*Fig. 13*



*Fig. 14*

UNITED STATES PATENT AND TRADEMARK OFFICE  
**CERTIFICATE OF CORRECTION**

PATENT NO. : D716,455 S  
APPLICATION NO. : 29/443581  
DATED : October 28, 2014  
INVENTOR(S) : Rusin et al.

Page 1 of 1

It is certified that error appears in the above-identified patent and that said Letters Patent is hereby corrected as shown below:

On the title page

Item [72], Line 1, delete "NH" and insert -- MN --, therefor.

Item [72], Line 2, delete "Independence," and insert -- Maple Plain, --, therefor.

Item [56], Line 3, Delete "Brunsell et al." and insert -- Reidt et al. --, therefor.

Signed and Sealed this  
Sixteenth Day of February, 2016



Michelle K. Lee  
*Director of the United States Patent and Trademark Office*