



US00D716453S

(12) **United States Design Patent**
Hafellner

(10) **Patent No.:** **US D716,453 S**

(45) **Date of Patent:** **** *Oct. 28, 2014**

- (54) **BODY FLUID TESTING DEVICE**
- (71) Applicant: **4a medicom GmbH**, Traboch (AT)
- (72) Inventor: **Reinhard Hafellner**, Spielberg (AT)
- (73) Assignee: **4a medicom GmbH** (AT)
- (*) Notice: This patent is subject to a terminal disclaimer.

6,696,240	B1	2/2004	Kloepfer et al.	
6,840,912	B2	1/2005	Kloepfer et al.	
7,846,110	B2*	12/2010	Kloepfer et al.	600/584
8,052,619	B2*	11/2011	Fujiwara et al.	600/584
8,333,715	B1*	12/2012	Alferness	600/584
D694,889	S*	12/2013	Karlsson et al.	D24/169
2003/0109777	A1	6/2003	Kloepfer et al.	
2006/0222567	A1	10/2006	Kloepfer et al.	
2007/0189928	A1*	8/2007	Sabol	422/68.1
2008/0033319	A1*	2/2008	Kloepfer et al.	600/583
2010/0234768	A1*	9/2010	Uchiyama et al.	600/583
2012/0302919	A1*	11/2012	Robbins et al.	600/583

(**) Term: **14 Years**

(21) Appl. No.: **29/460,797**

(22) Filed: **Jul. 15, 2013**

(30) **Foreign Application Priority Data**

Jan. 15, 2013 (EM) 002167197-0003

(51) **LOC (10) Cl.** **24-01**

(52) **U.S. Cl.**
USPC **D24/169**

(58) **Field of Classification Search**
USPC D24/216, 223, 231, 232, 107, 169, 186,
D24/146; D10/81; 422/68.1, 420, 500;
435/287.1, 287.3; 436/43, 45, 47;
600/309, 365, 368, 583, 584; 606/181
See application file for complete search history.

(56) **References Cited**

U.S. PATENT DOCUMENTS

D292,229	S*	10/1987	Knudson et al.	D24/223
D309,012	S*	7/1990	Vcelka	D24/223
D376,203	S*	12/1996	Schraga	D24/146
D407,825	S*	4/1999	Childs et al.	D24/223

FOREIGN PATENT DOCUMENTS

EP 002167197-0003 1/2013

* cited by examiner

Primary Examiner — Anhdao Doan

(74) *Attorney, Agent, or Firm* — E. Victor Indiano; Indiano Law Group, LLC

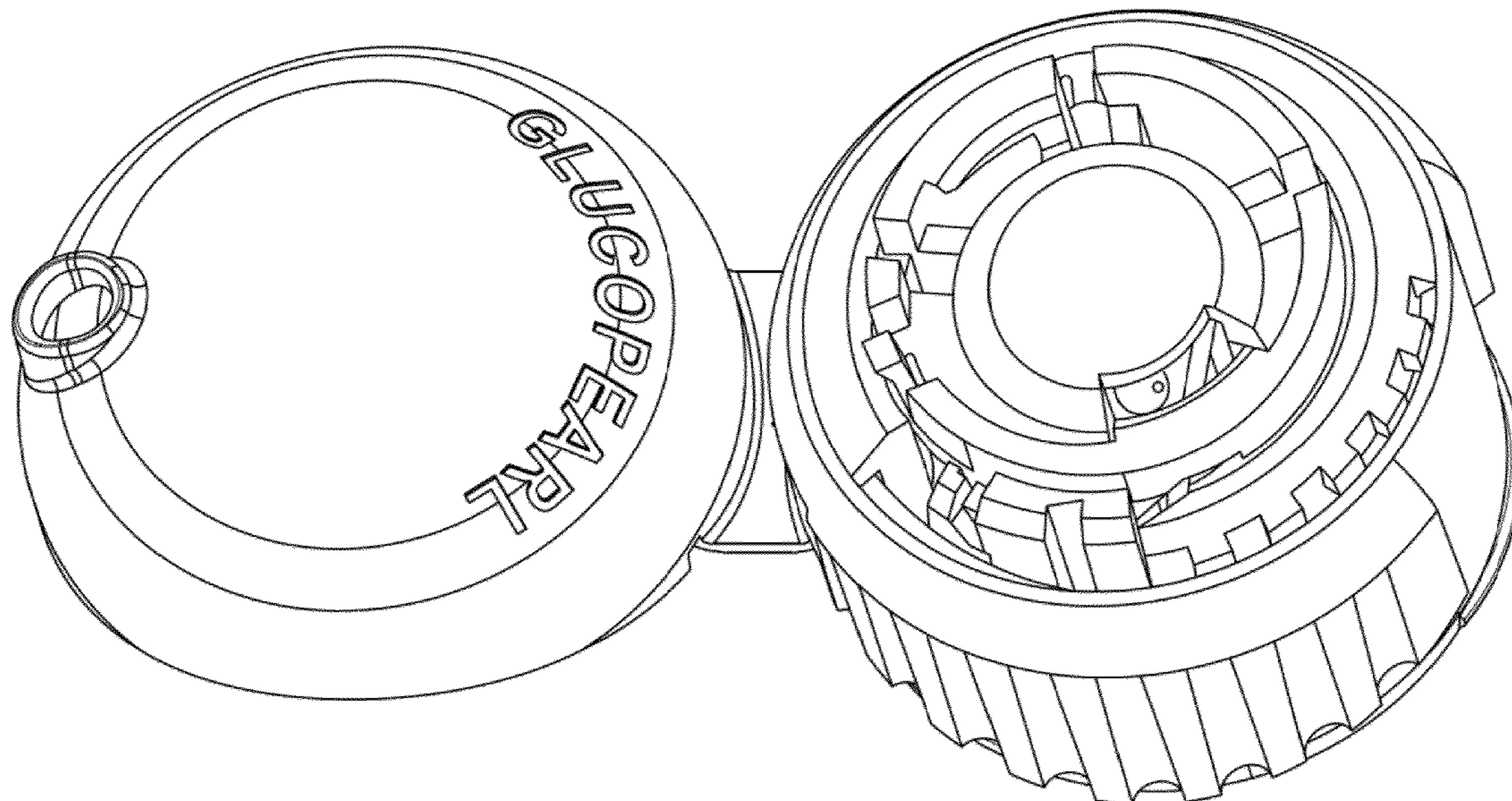
(57) **CLAIM**

The ornamental design for, a body fluid testing device, as shown and described.

DESCRIPTION

FIG. 1 is perspective view of a new body fluid testing device showing my new design.
 FIG. 2 is a rear view thereof.
 FIG. 3 is a right side view thereof.
 FIG. 4 is a left side view thereof.
 FIG. 5 is a bottom view thereof.
 FIG. 6 is a top view thereof.
 FIG. 7 is a front view thereof; and,
 FIG. 8 is a rear perspective view thereof.

1 Claim, 8 Drawing Sheets



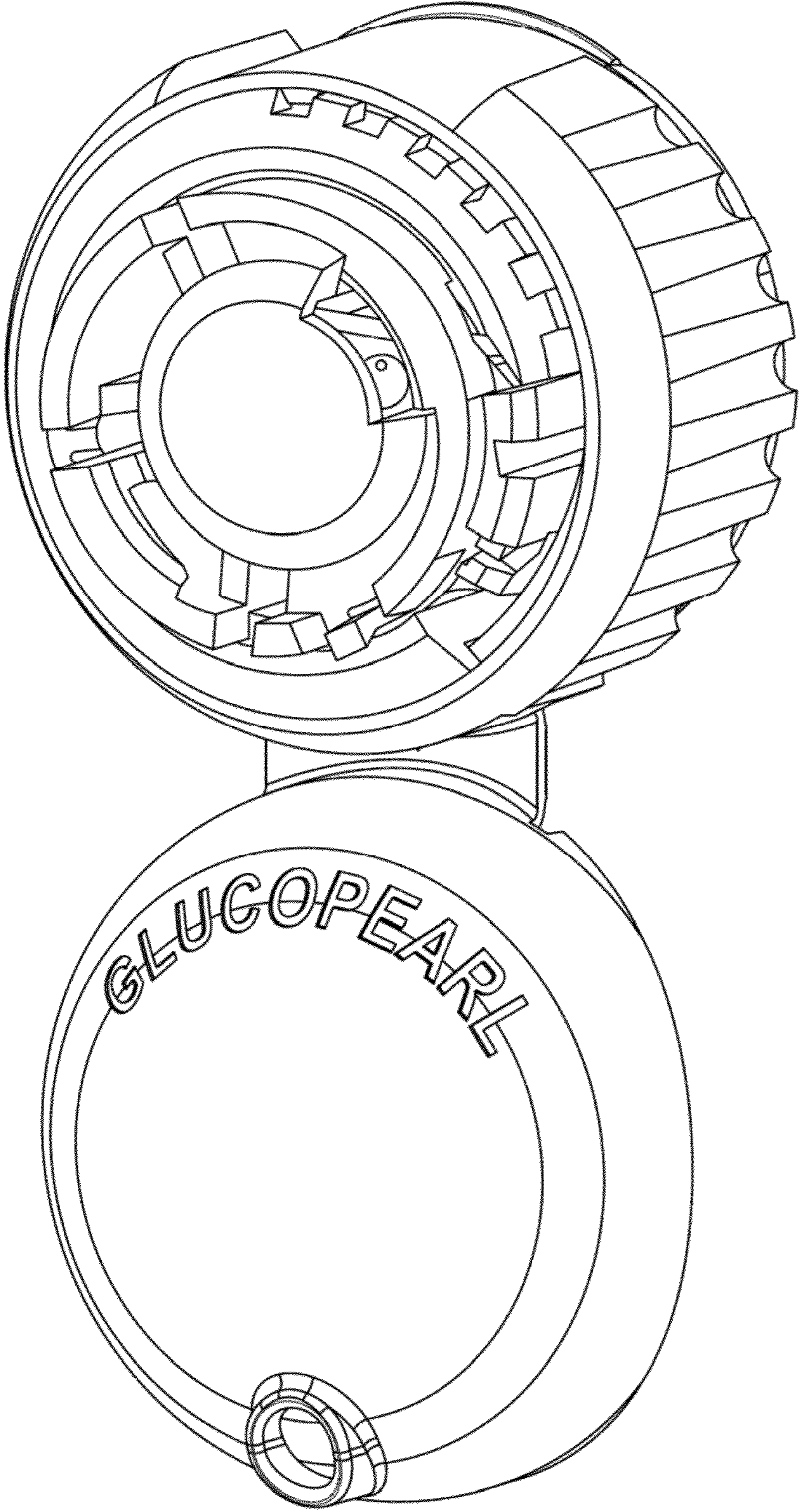


FIG. 1

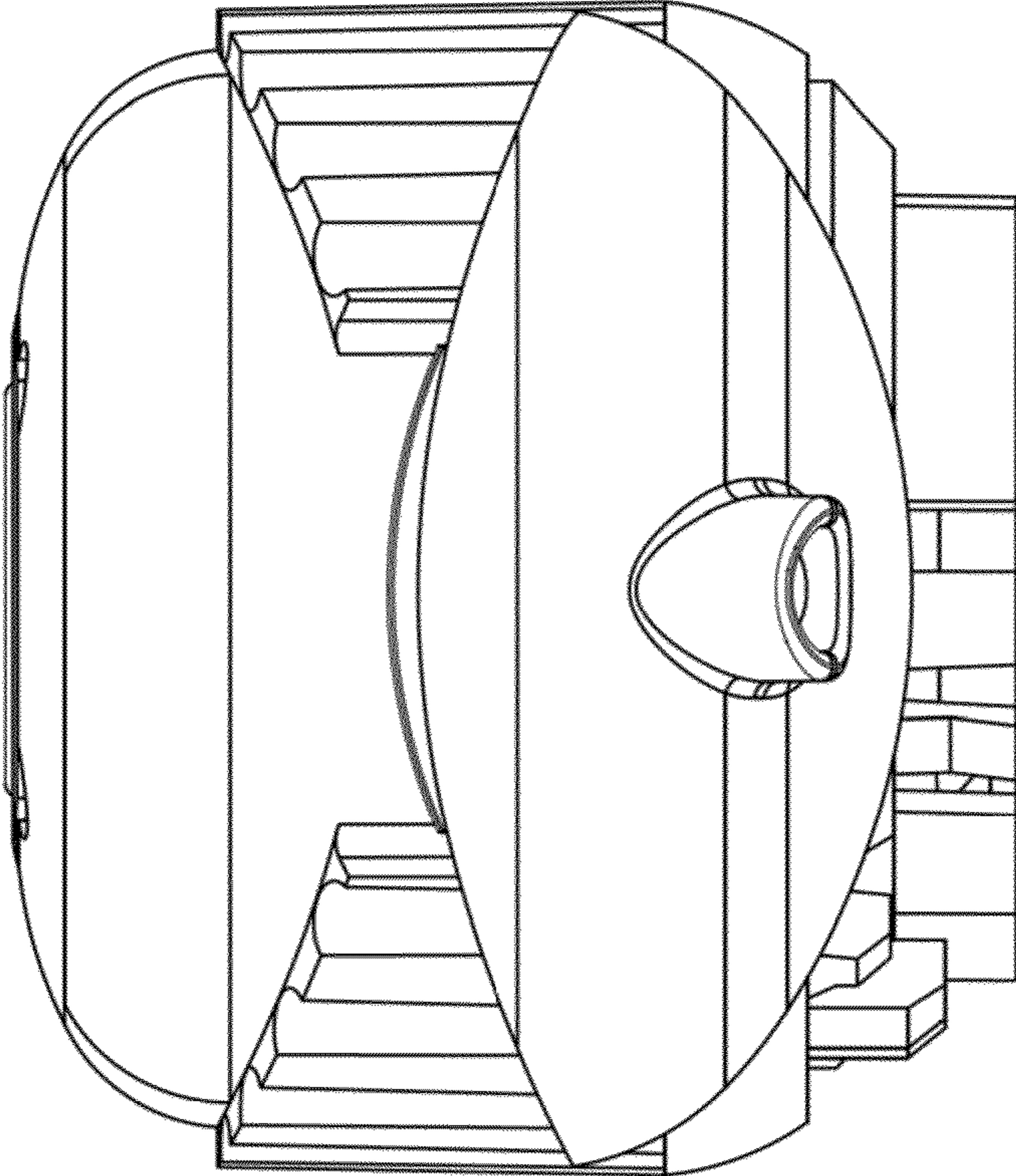


FIG. 2

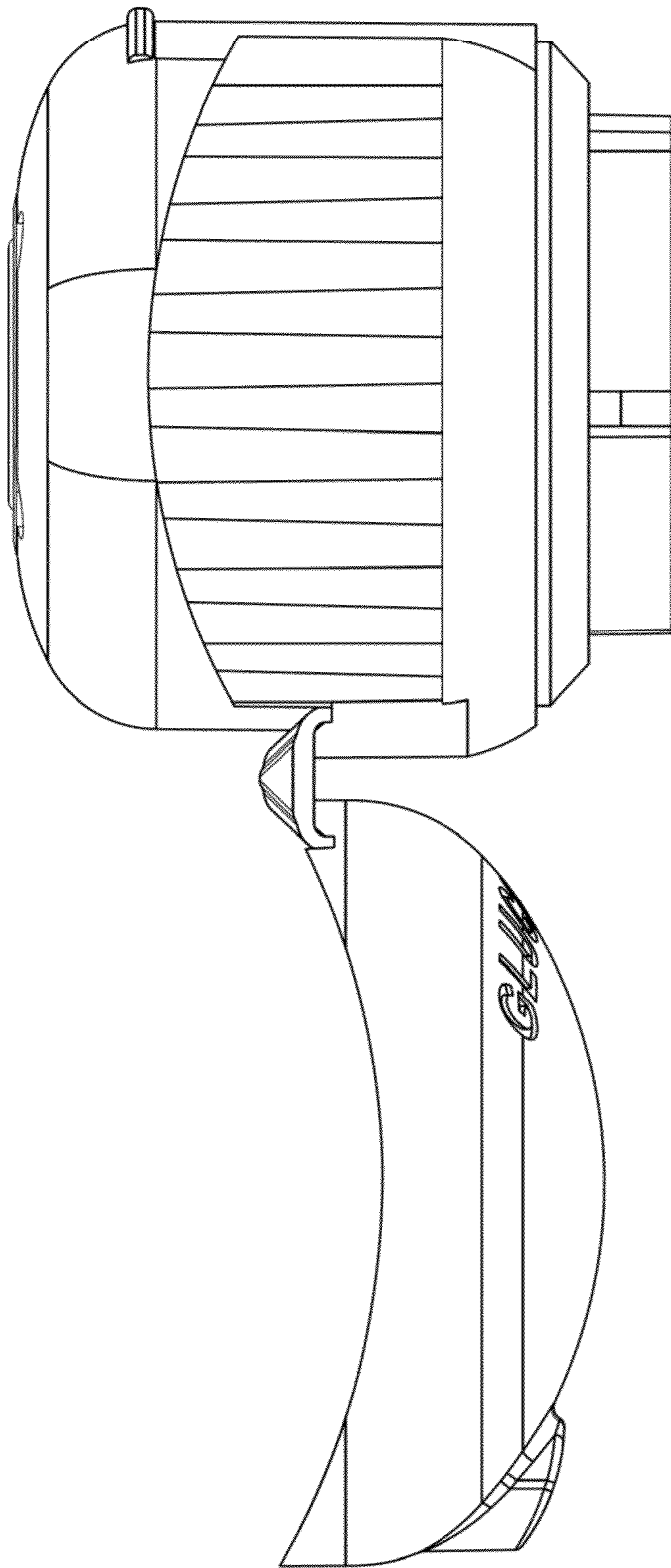


FIG. 3

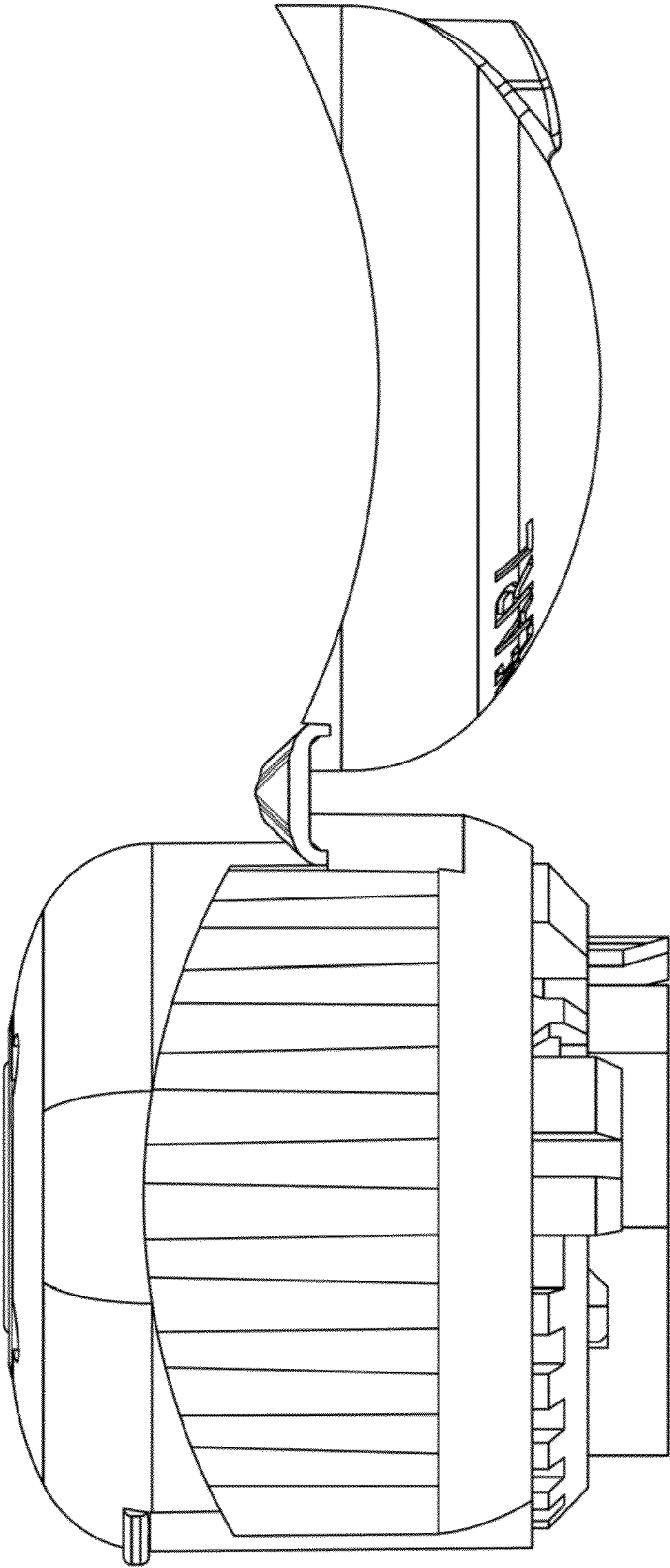


FIG. 4

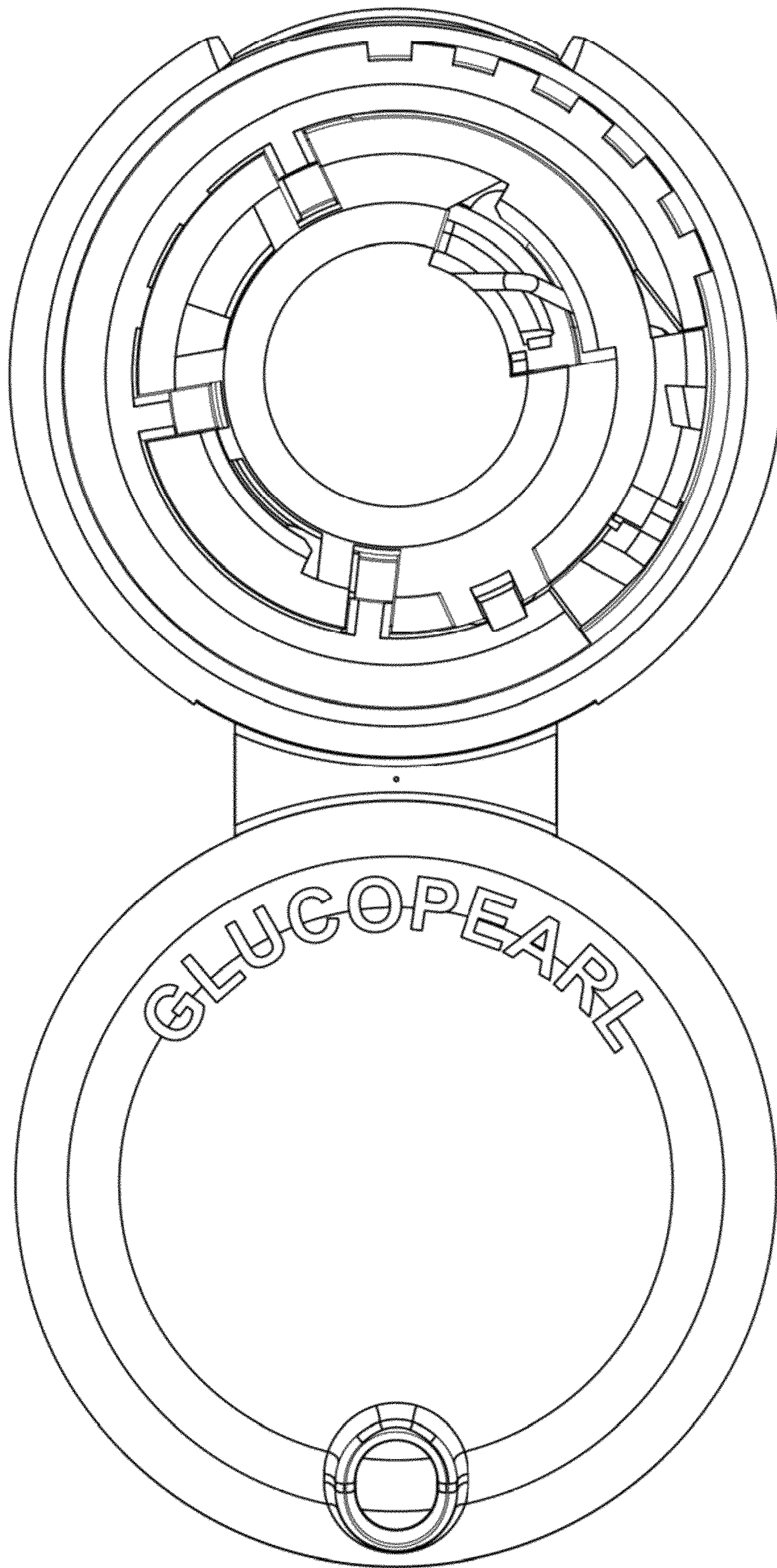


FIG. 5

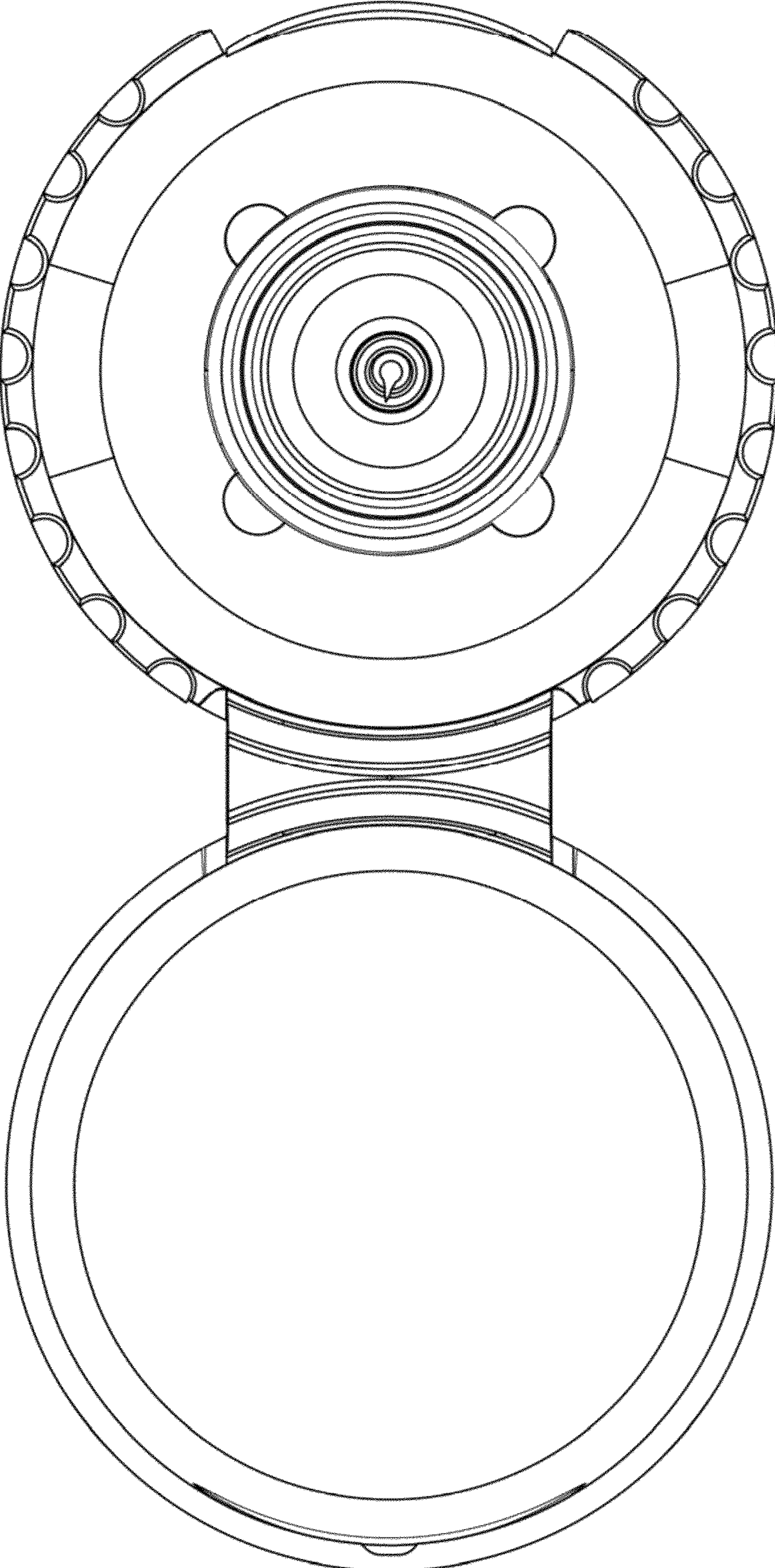


FIG. 6

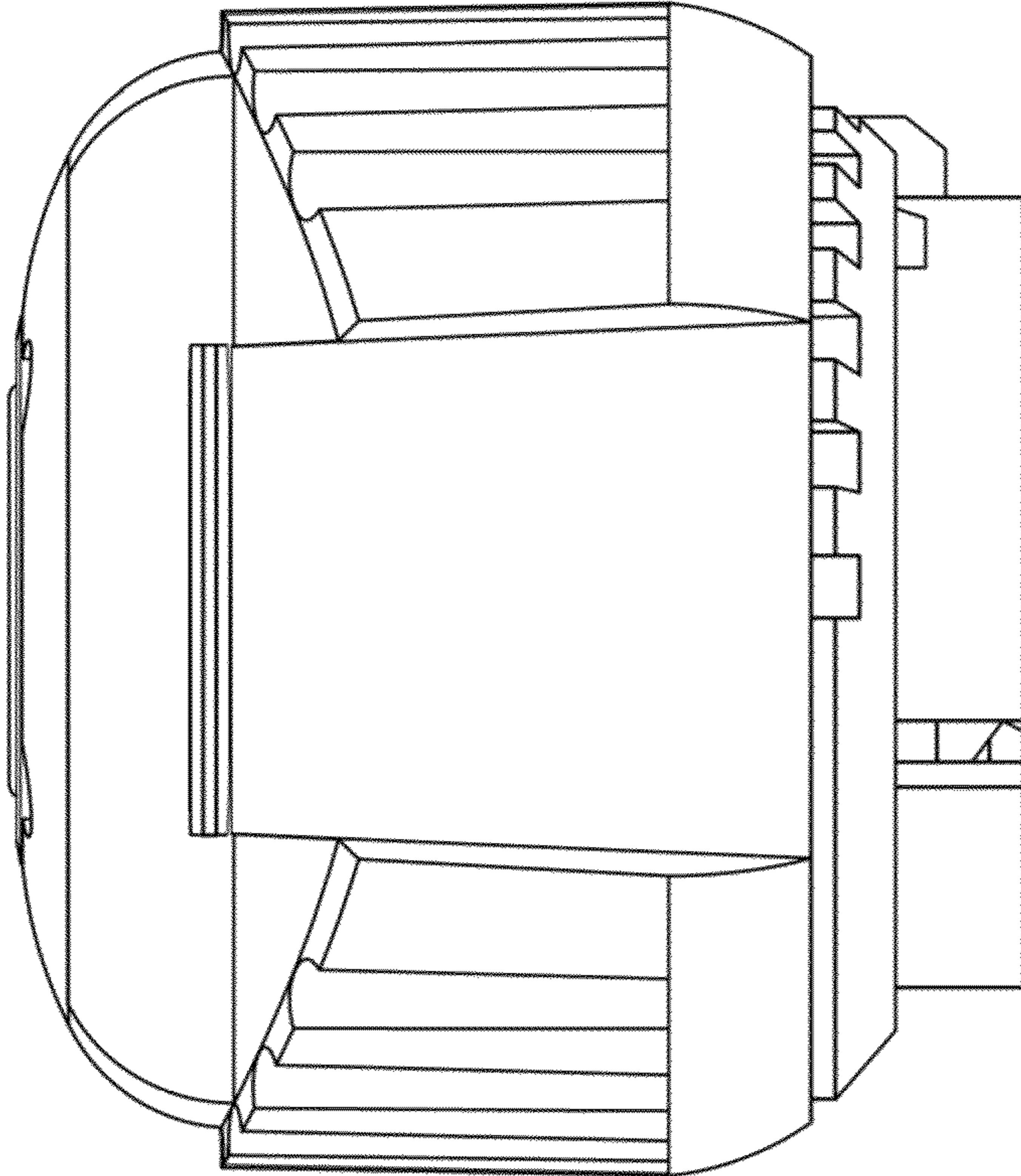


FIG. 7

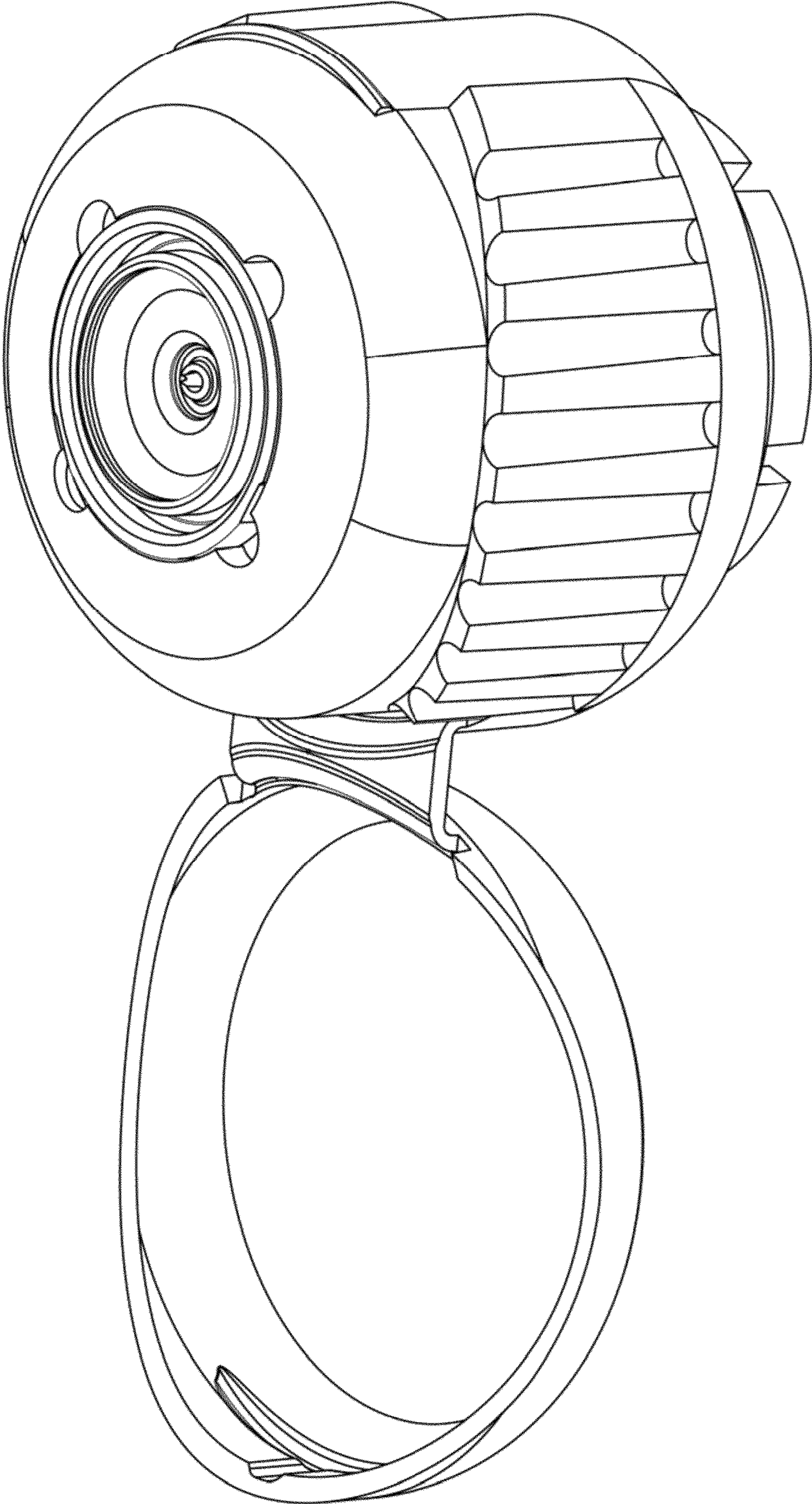


FIG. 8