



US00D716452S

(12) **United States Design Patent**
Hutchison

(10) **Patent No.:** **US D716,452 S**

(45) **Date of Patent:** **** Oct. 28, 2014**

(54) **RESPIROMETER**

D653,760 S * 2/2012 Johnson D24/164

* cited by examiner

(71) Applicant: **Bactest Limited**, Wyboston (GB)

Primary Examiner — Ian Simmons

(72) Inventor: **Bruce Hutchison**, Cottenham (GB)

Assistant Examiner — Rhea Shields

(73) Assignee: **Bactest Limited**, Wyboston (GB)

(74) *Attorney, Agent, or Firm* — Knobbe, Martens, Olson & Bear, LLP

(**) Term: **14 Years**

(57) **CLAIM**

(21) Appl. No.: **29/433,444**

The ornamental design for a respirometer, as shown and described.

(22) Filed: **Sep. 28, 2012**

DESCRIPTION

(30) **Foreign Application Priority Data**

Mar. 30, 2012 (EM) 002018531-0001

Mar. 30, 2012 (EM) 002018531-0002

(51) **LOC (10) Cl.** **24-00**

(52) **U.S. Cl.**
USPC **D24/164**

(58) **Field of Classification Search**

USPC D24/164, 110, 110.5, 110.6, 167, 186,
D24/185, 231, 234, 129, 118; 600/424, 426,
600/407, 534, 529, 532, 538; 606/96, 97,
606/98

See application file for complete search history.

FIG. 1 is a perspective view of a respirometer of the present design showing the top, front, and first side portions of the respirometer;

FIG. 2 a perspective view of a respirometer of the present design showing the top, back, and first side portions of the respirometer;

FIG. 3 is a front view of a respirometer of the present design showing the front portion of the respirometer;

FIG. 4 is a back view of a respirometer of the present design showing the back portion of the respirometer;

FIG. 5 is a top view of a respirometer of the present design showing the top portion of the respirometer;

FIG. 6 is a bottom view of a respirometer of the present design showing the bottom portion of the respirometer; and,

FIG. 7 is a side view of a respirometer of the present design showing the first side portion of the respirometer. In the drawings, the broken lines depict unclaimed subject matter only and form no part of the claimed design.

(56) **References Cited**

U.S. PATENT DOCUMENTS

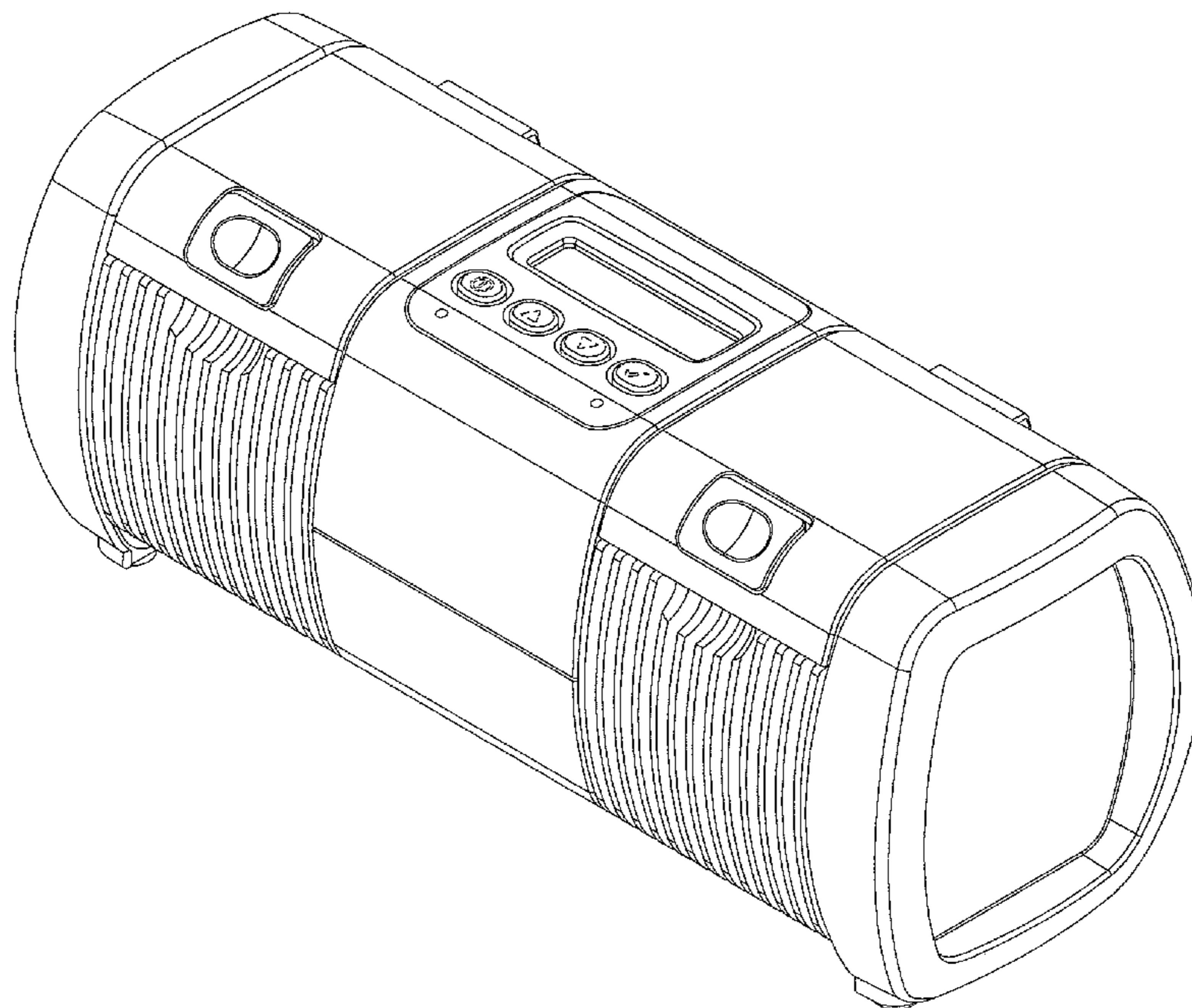
D513,074 S * 12/2005 Nakamura et al. D24/164

D549,342 S * 8/2007 Ross et al. D24/164

D647,522 S * 10/2011 Paul D14/349

D652,933 S * 1/2012 Boschetti Sacco D24/164

1 Claim, 7 Drawing Sheets



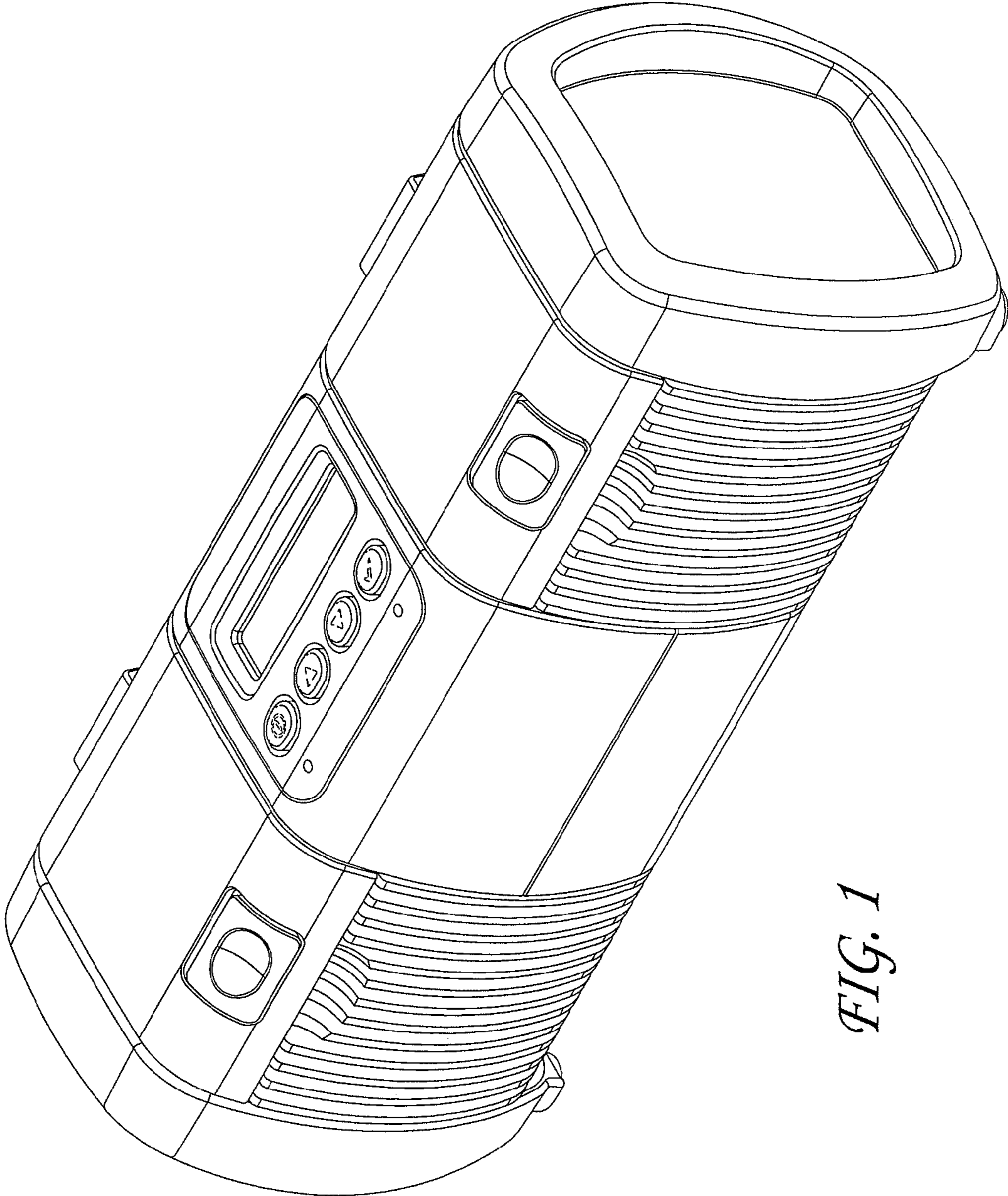


FIG. 1

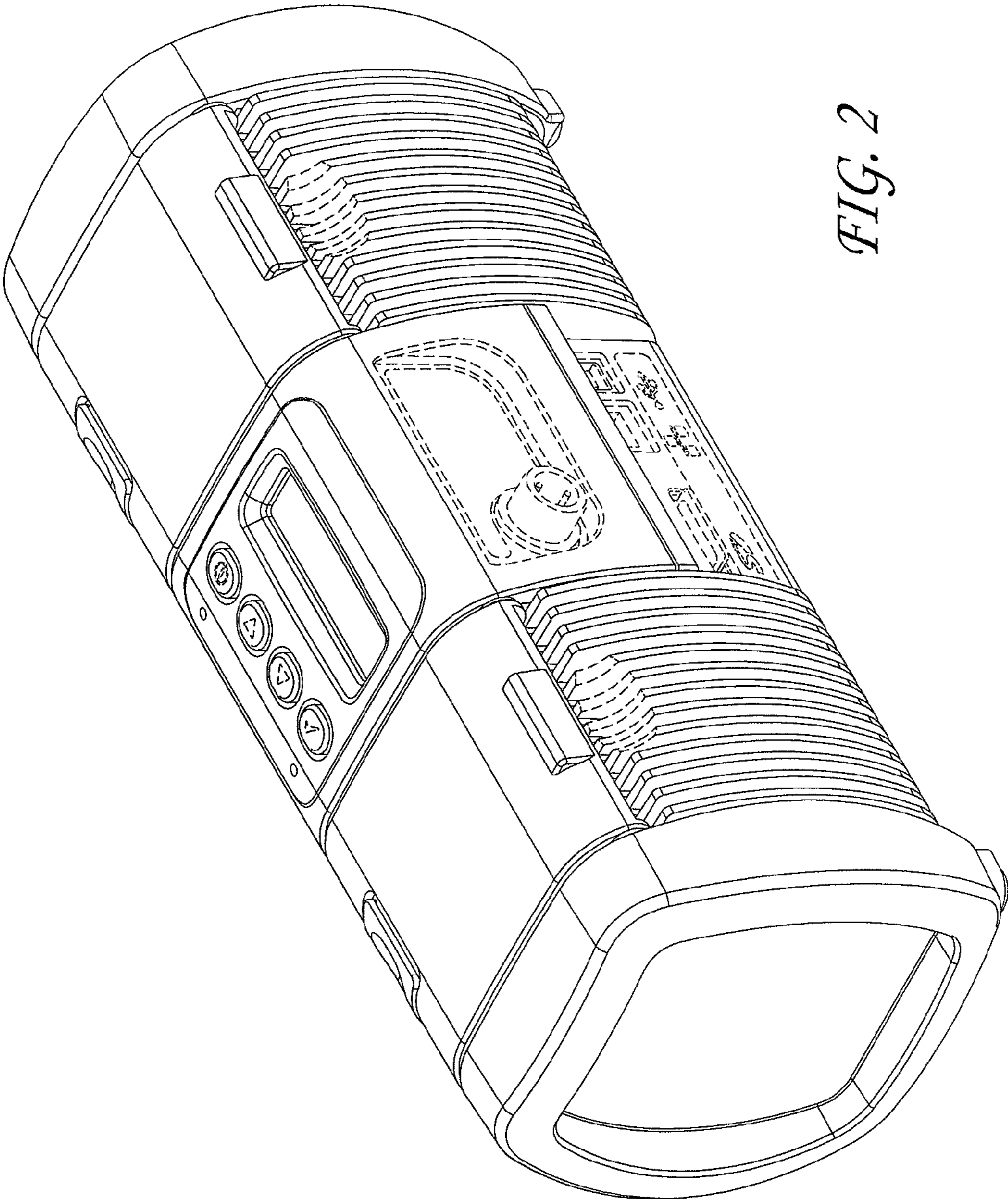


FIG. 2

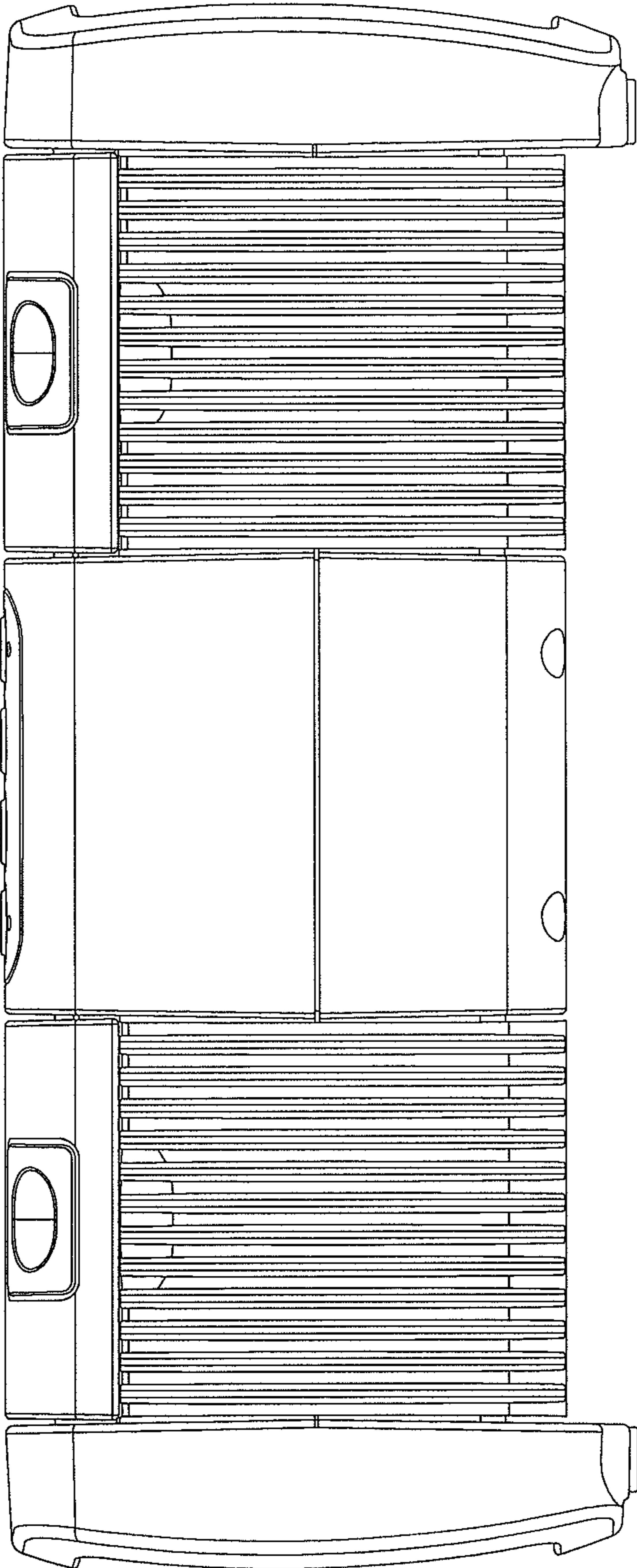


FIG. 3

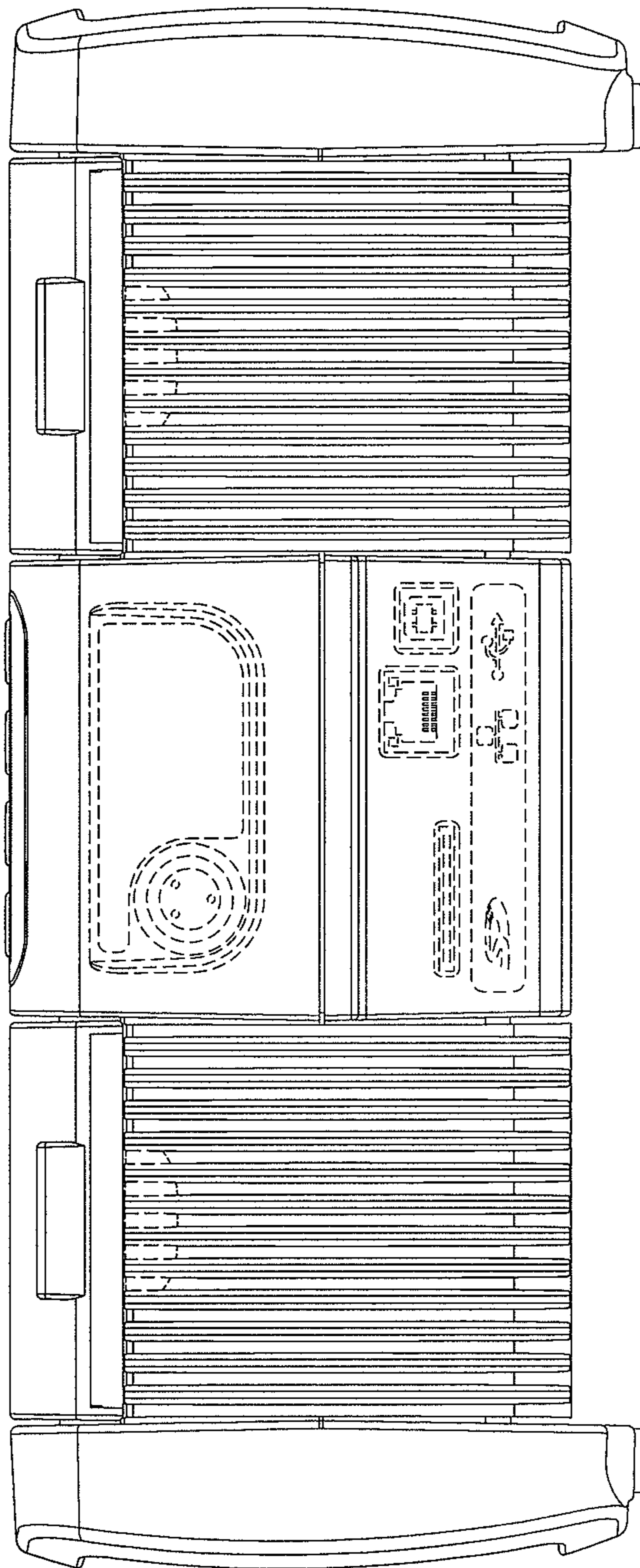


FIG. 4

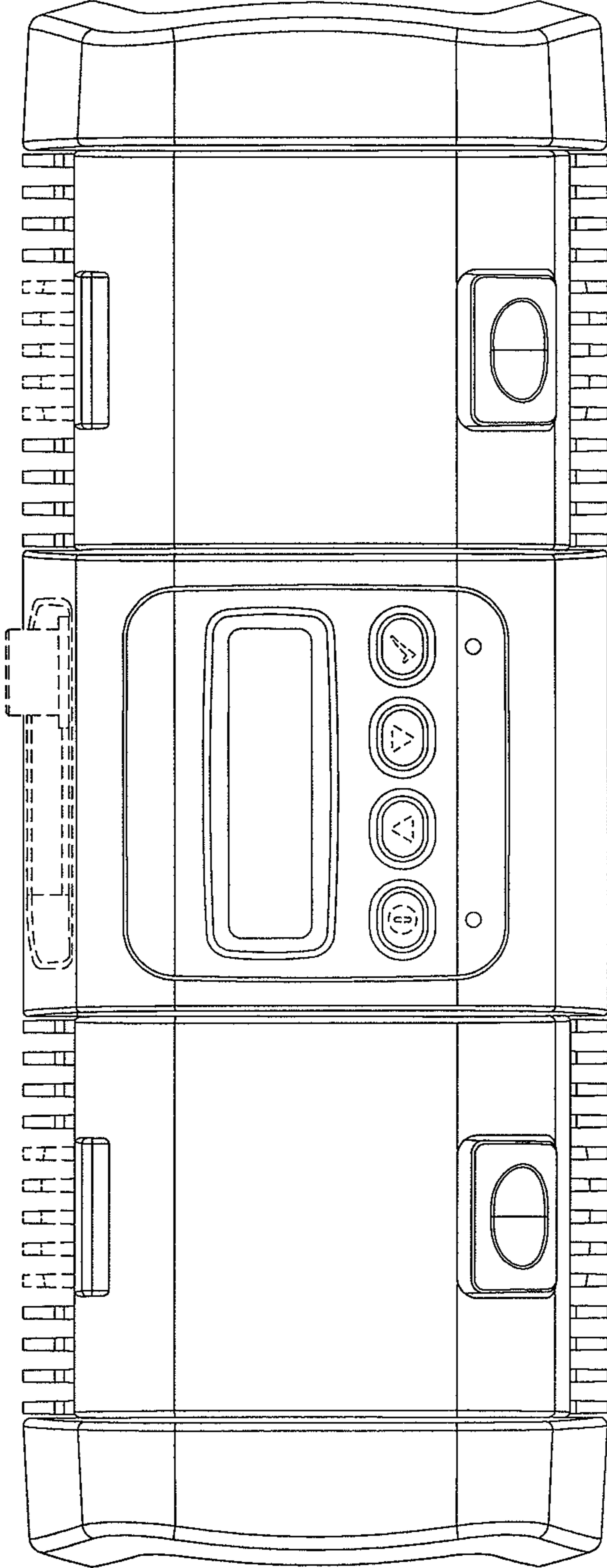


FIG. 5

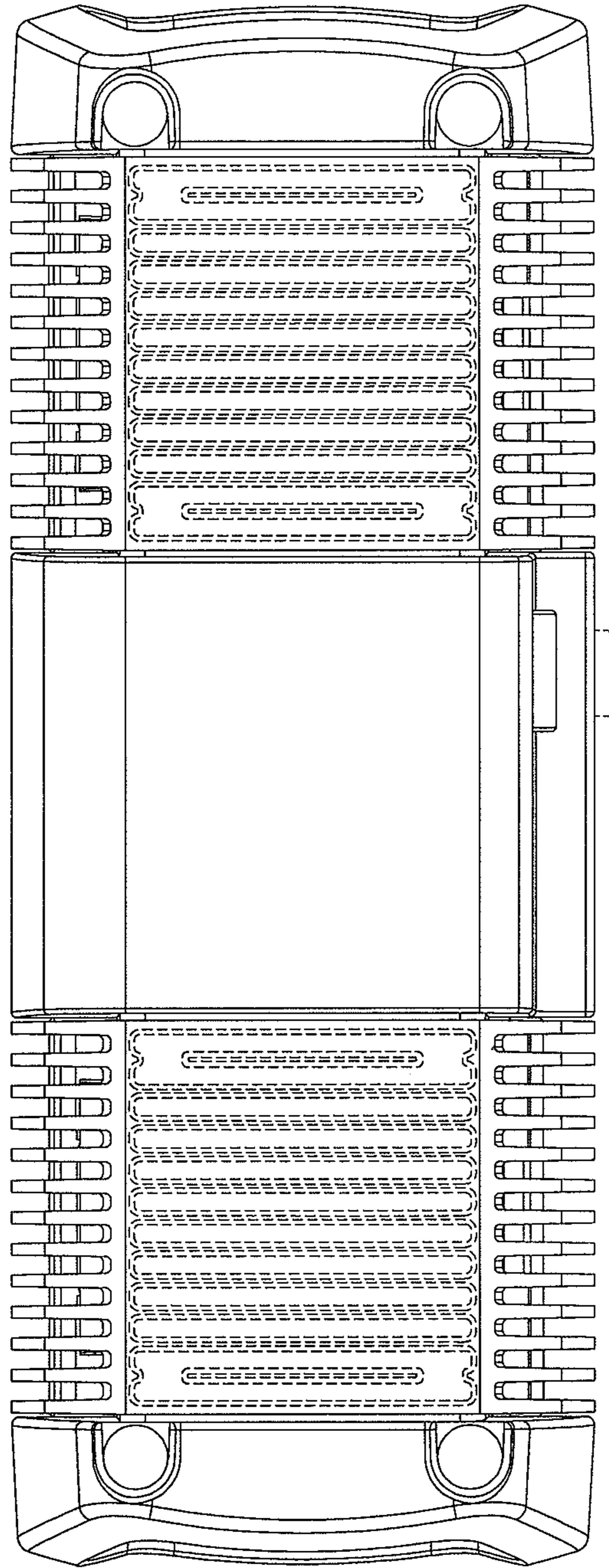


FIG. 6

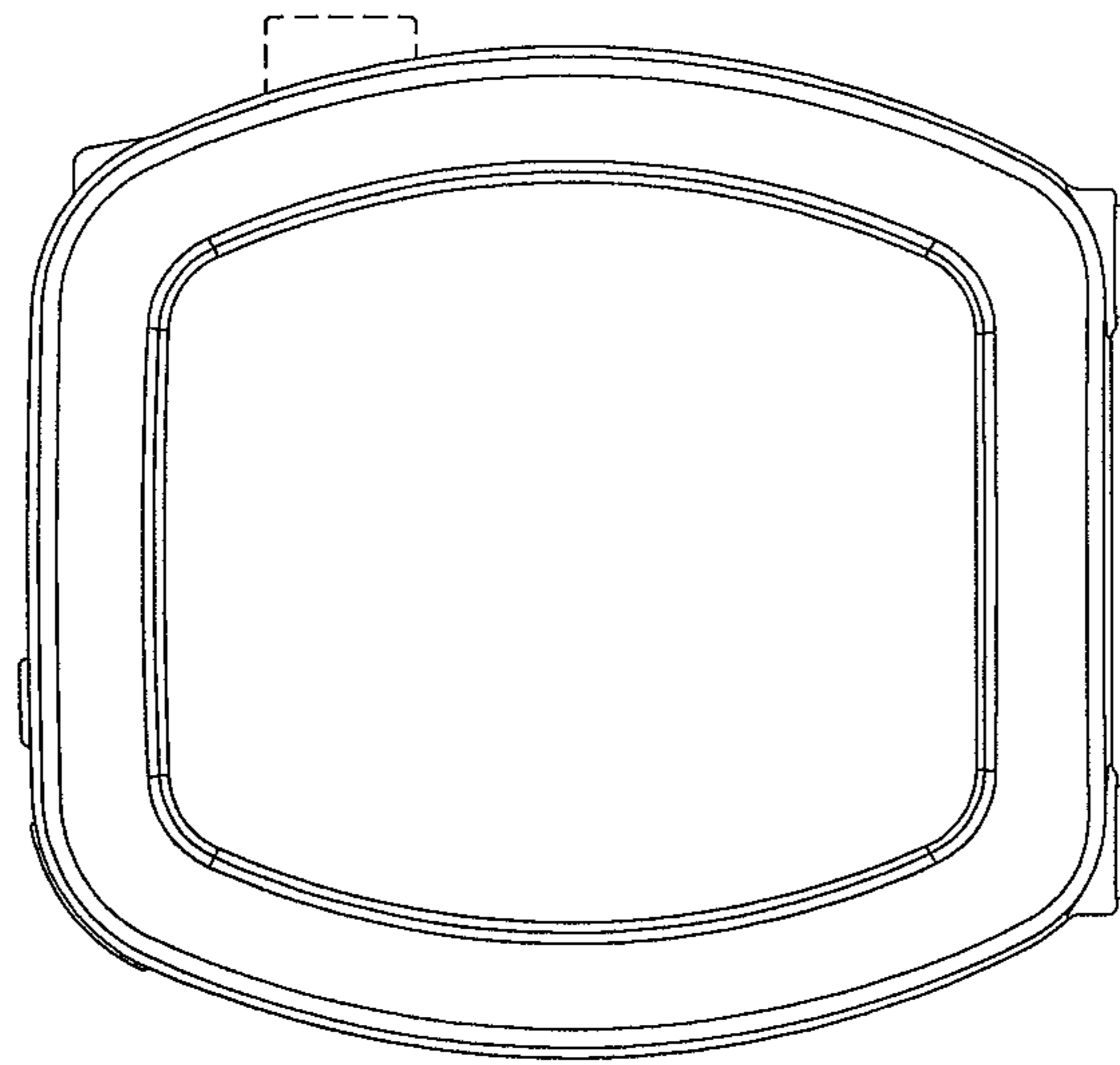


FIG. 7