

US00D716447S

(12) **United States Design Patent**  
**Kim**

(10) **Patent No.:** **US D716,447 S**

(45) **Date of Patent:** **\*\* Oct. 28, 2014**

(54) **HANDLE FOR A MEDICAL ULTRASOUND  
DEVICE**

(56) **References Cited**

U.S. PATENT DOCUMENTS

(71) Applicant: **Samsung Electronics Co., Ltd.**,  
Suwon-si (KR)  
(72) Inventor: **Yun-Su Kim**, Seoul (KR)  
(73) Assignee: **Samsung Electronics Co., Ltd.** (KR)  
(\*\*) Term: **14 Years**  
(21) Appl. No.: **29/437,920**  
(22) Filed: **Nov. 21, 2012**

D395,085	S	*	6/1998	Kenley et al.	.....	D24/169
D467,001	S	*	12/2002	Buczek et al.	.....	D24/172
D492,034	S	*	6/2004	Cruz et al.	.....	D24/169
D606,202	S	*	12/2009	Banryu	.....	D24/185
D611,610	S	*	3/2010	Fleck et al.	.....	D24/185
D626,236	S	*	10/2010	Ninomiya et al.	.....	D24/185
D648,855	S	*	11/2011	Smith et al.	.....	D24/158
D650,482	S	*	12/2011	Kim et al.	.....	D24/158
D657,470	S	*	4/2012	Schon et al.	.....	D24/186
D662,208	S	*	6/2012	Otoha et al.	.....	D24/185
D696,783	S	*	12/2013	Chung et al.	.....	D24/185
2011/0152691	A1	*	6/2011	Ikeda et al.	.....	600/459

\* cited by examiner

*Primary Examiner* — Robert M Spear

*Assistant Examiner* — Rhea Shields

(74) *Attorney, Agent, or Firm* — Cantor Colburn LLP

**Related U.S. Application Data**

(63) Continuation of application No. 29/426,898, filed on Jul. 11, 2012.

**Foreign Application Priority Data**

Jan. 20, 2012 (KR) ..... 30-2012-0003158

(51) **LOC (10) Cl.** ..... **24-00**

(52) **U.S. Cl.**  
USPC ..... **D24/158; D24/185**

(58) **Field of Classification Search**  
USPC ..... D24/177, 182, 183, 184, 185, 186, 144,  
D24/160, 167-169, 172, 200, 158, 164, 199,  
D24/226, 230, 231; D34/12, 14; 312/22,  
312/109, 209, 223.1, 286, 249.8, 249.12;  
248/282.1; 600/437, 443, 459

See application file for complete search history.

(57) **CLAIM**

The ornamental design for an handle for a medical ultrasound device, as shown and described.

**DESCRIPTION**

FIG. 1 is a perspective view of an handle for a medical ultrasound device showing my new design;  
FIG. 2 is a front view thereof;  
FIG. 3 is a rear view thereof;  
FIG. 4 is a left side view thereof;  
FIG. 5 is a right side view thereof;  
FIG. 6 is a top plan view thereof; and,  
FIG. 7 is a bottom plan view thereof.  
In the drawings, the broken lines depict environmental subject matter only and form no part of the claimed design.

**1 Claim, 7 Drawing Sheets**

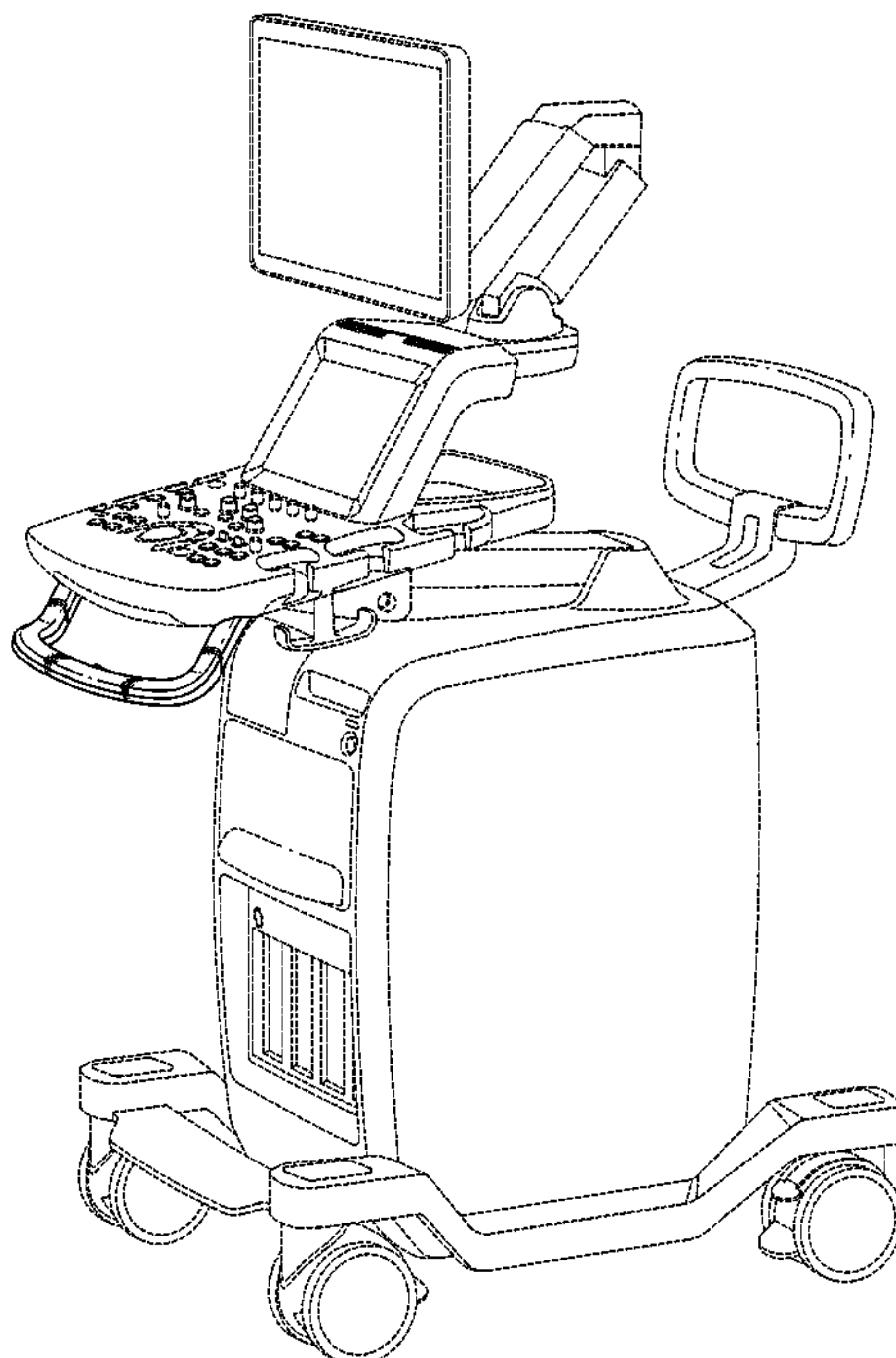


FIG. 1

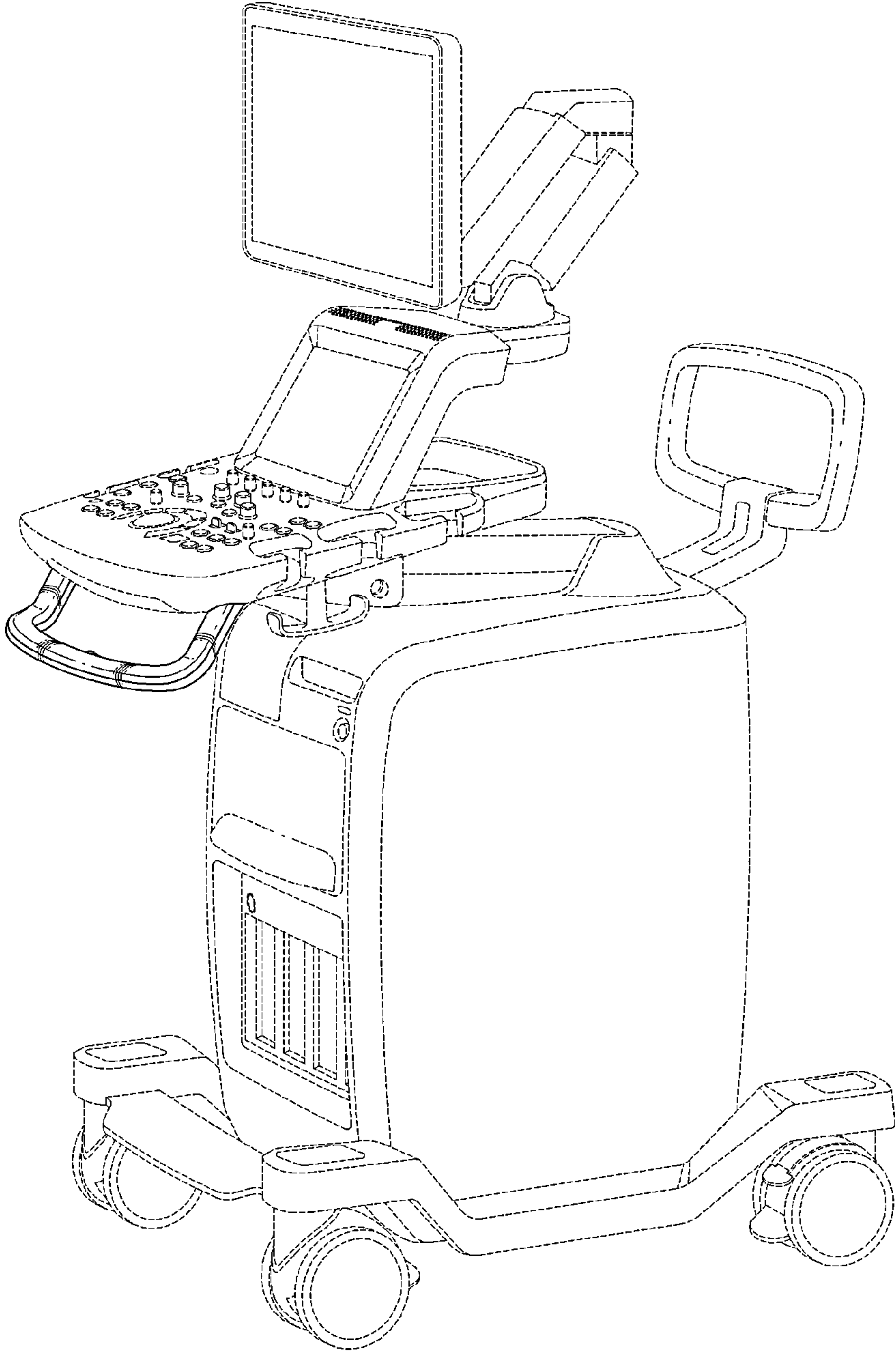


FIG. 2

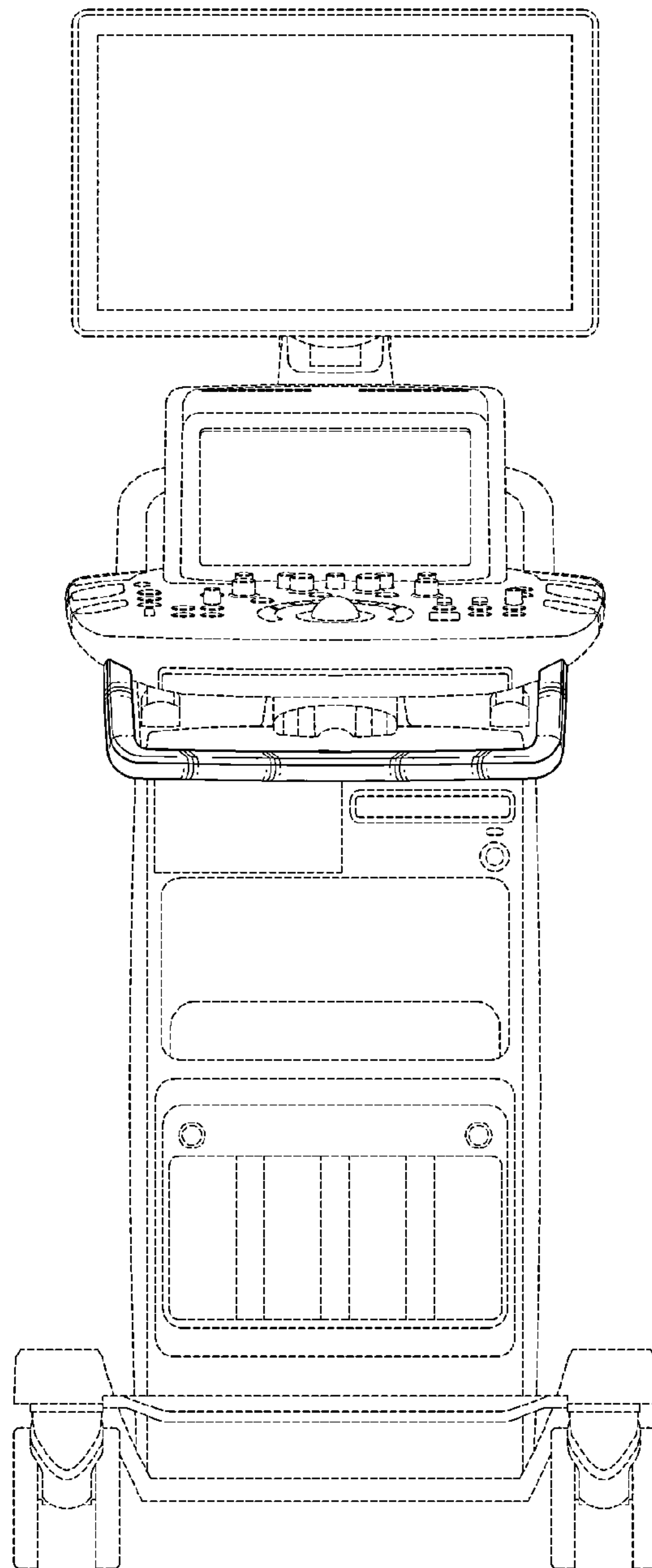


FIG. 3

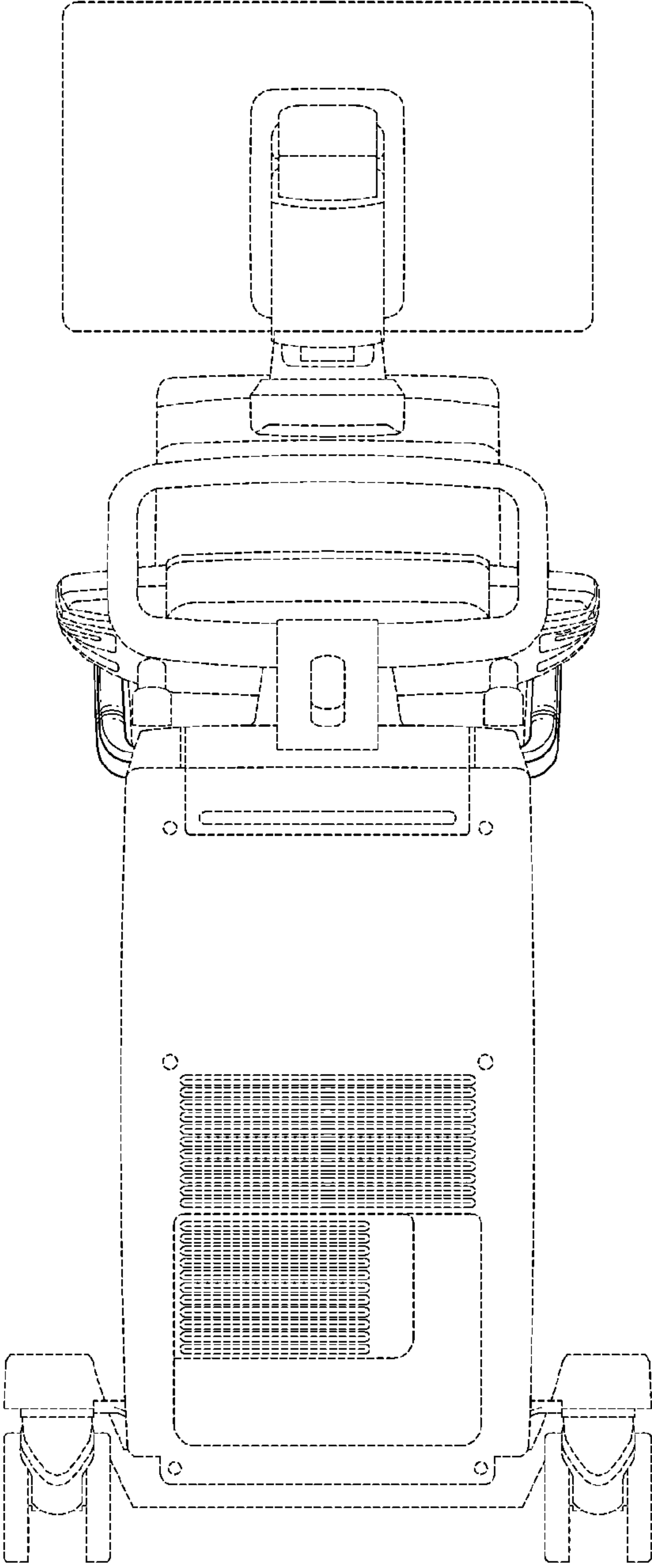


FIG. 4

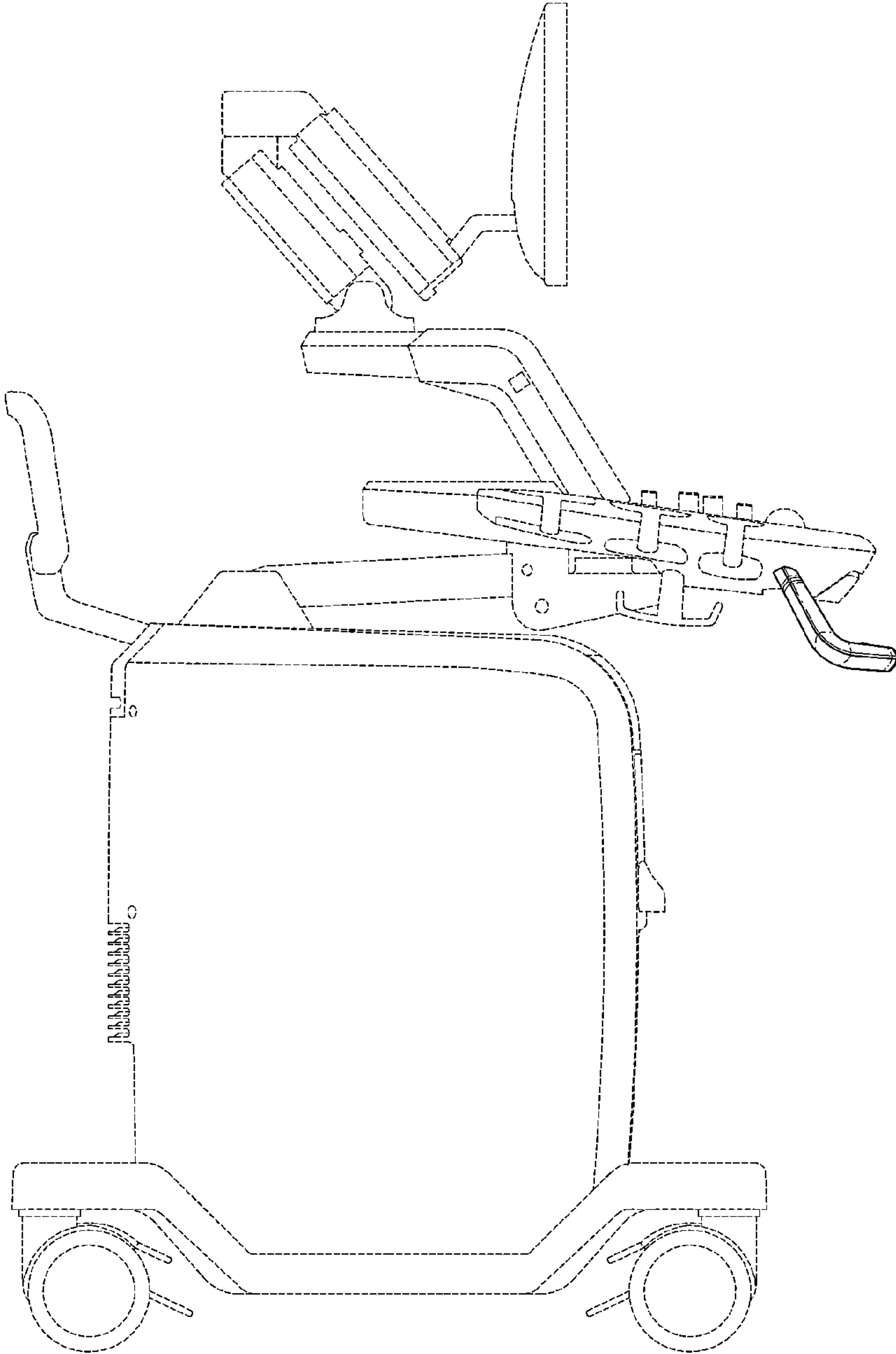




FIG.5

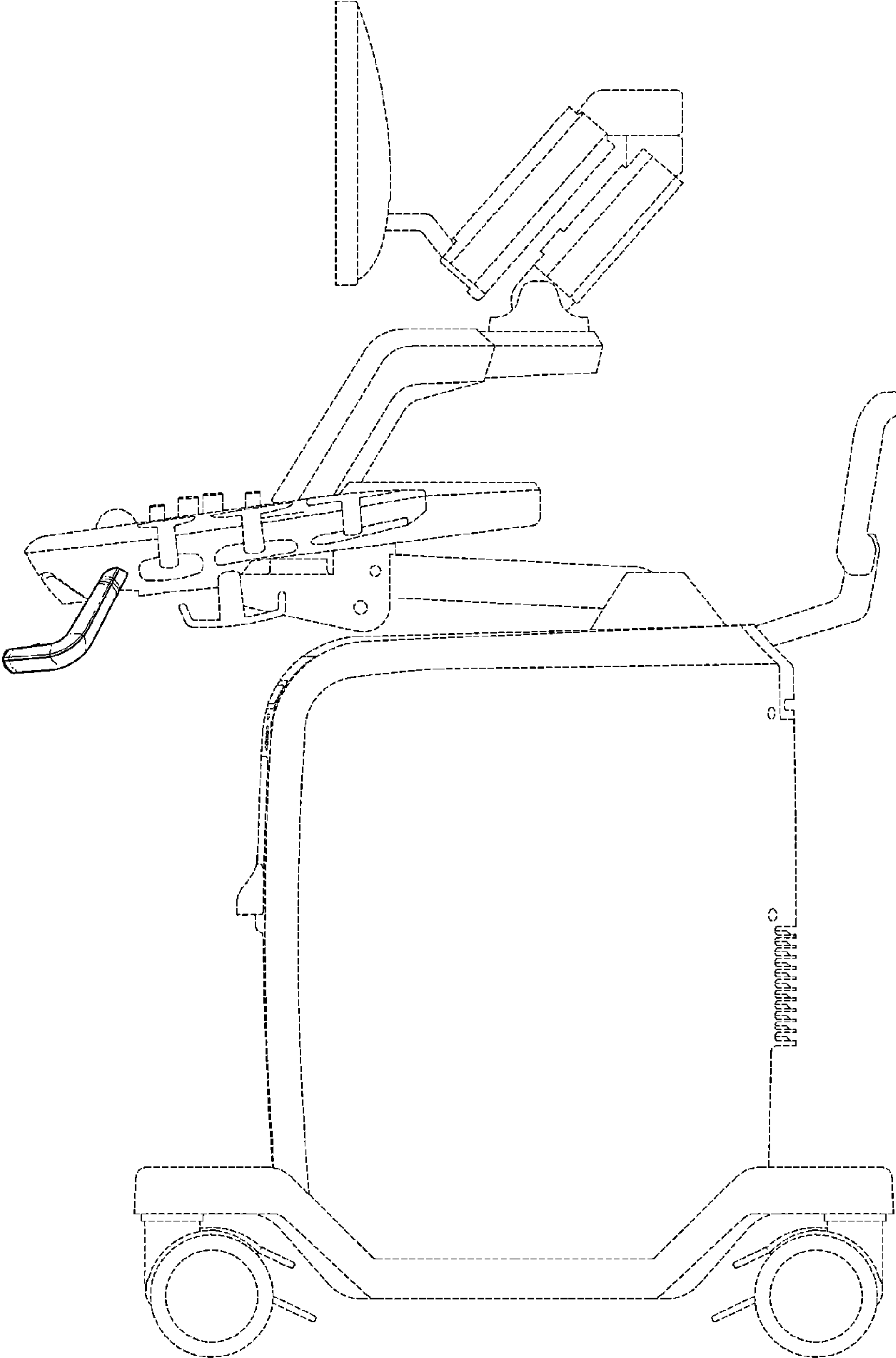


FIG. 6

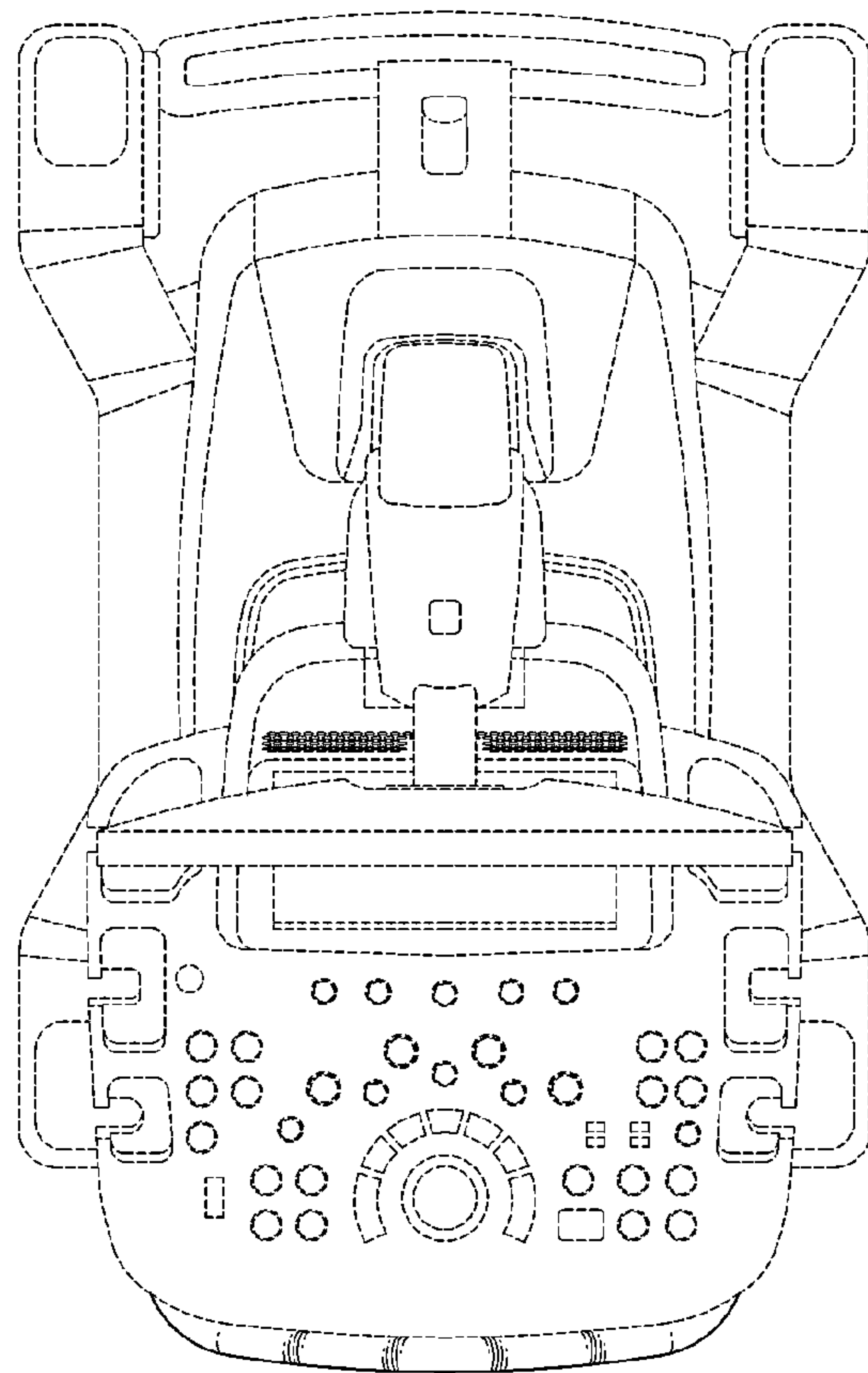


FIG. 7

