



US00D716445S

(12) **United States Design Patent**
Berci et al.

(10) **Patent No.:** **US D716,445 S**

(45) **Date of Patent:** **** Oct. 28, 2014**

(54) **EXOSCOPE**

(71) Applicant: **KARL STORZ GmbH & Co. KG**,
Tuttlingen (DE)

(72) Inventors: **George Berci**, Los Angeles, CA (US);
Christoph Leidolt, Singen (DE)

(73) Assignee: **KARL STORZ GmbH & Co. KG**,
Tuttlingen (DE)

(**) Term: **14 Years**

(21) Appl. No.: **29/443,052**

(22) Filed: **Jan. 11, 2013**

(51) **LOC (10) Cl.** **24-02**

(52) **U.S. Cl.**
USPC **D24/138**

(58) **Field of Classification Search**
USPC D24/138, 137, 133; 600/101-183
See application file for complete search history.

(56) **References Cited**

U.S. PATENT DOCUMENTS

3,368,552	A *	2/1968	Bottcher	600/107
4,974,580	A *	12/1990	Anapliotis	600/122
5,383,876	A *	1/1995	Nardella	606/49
D367,324	S *	2/1996	McCarthy et al.	D24/112
D631,545	S *	1/2011	Halder et al.	D24/137

D665,906	S *	8/2012	Leidolt	D24/138
D667,113	S *	9/2012	Leidolt	D24/138
D667,545	S *	9/2012	Czupalla	D24/137
D667,546	S *	9/2012	Becker	D24/138
2012/0265023	A1 *	10/2012	Berci et al.	600/249

* cited by examiner

Primary Examiner — Bridget L Eland

(74) *Attorney, Agent, or Firm* — Muncy, Geissler, Olds & Lowe, P.C.

(57) **CLAIM**

The ornamental design for an exoscope, as shown and described.

DESCRIPTION

FIG. 1 is a left side elevational view of an exoscope according to the invention.

FIG. 2 is a right side elevational view of the exoscope of FIG. 1.

FIG. 3 is a front perspective view of the exoscope of FIG. 1.

FIG. 4 is a rear perspective view of the exoscope of FIG. 1.

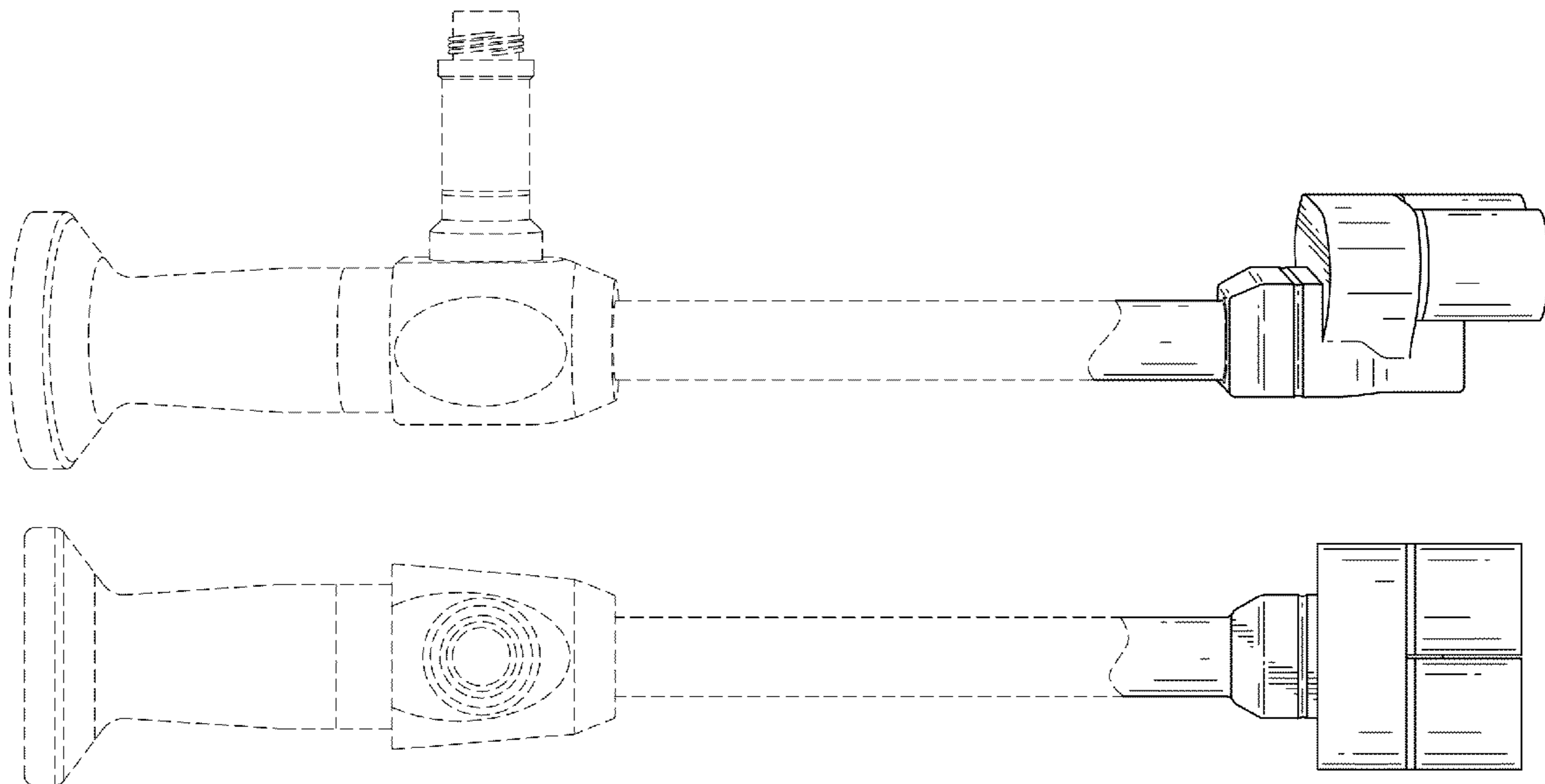
FIG. 5 is a top plan view of the exoscope of FIG. 1.

FIG. 6 is a bottom plan view of the exoscope of FIG. 1; and,

FIG. 7 is a three quarter view of the exoscope of FIG. 1.

The dashed lines illustrate environment that does not form a part of the present invention, and no claim is made to the material illustrated with dashed lines.

1 Claim, 7 Drawing Sheets



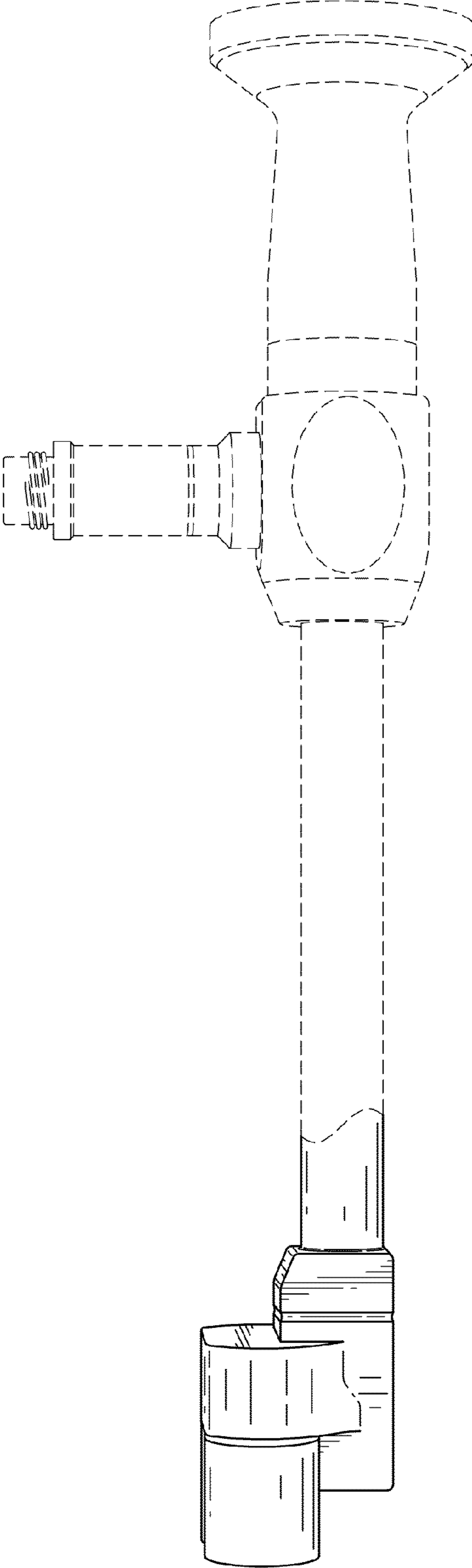


FIG.1

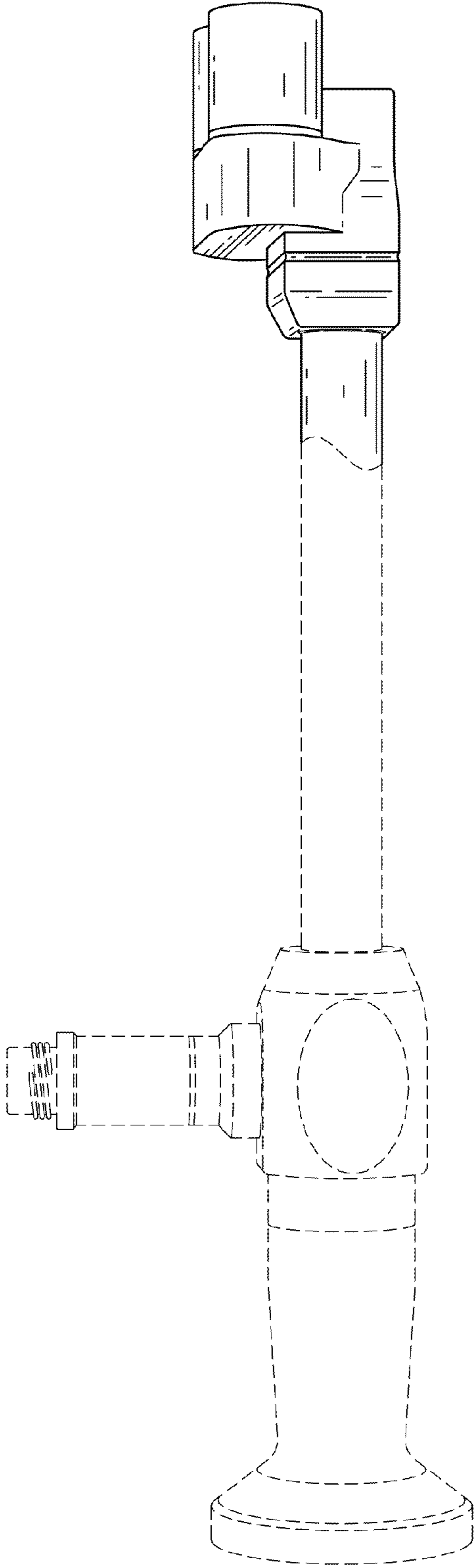


FIG.2

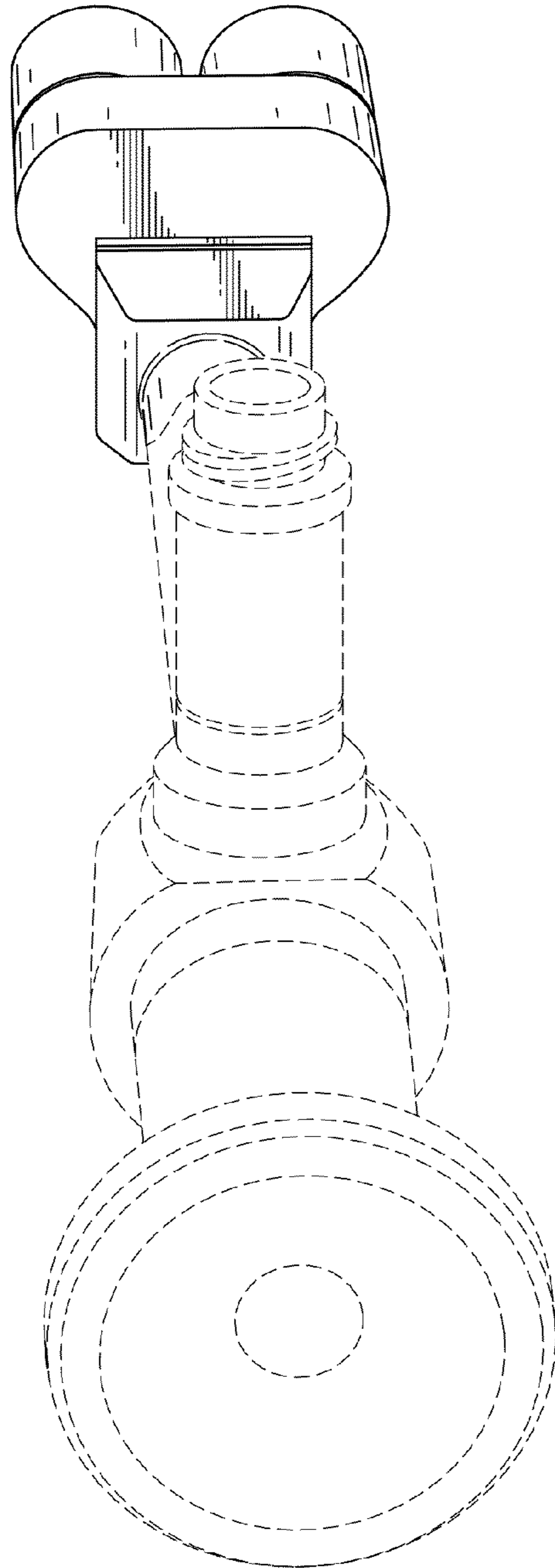


FIG.3

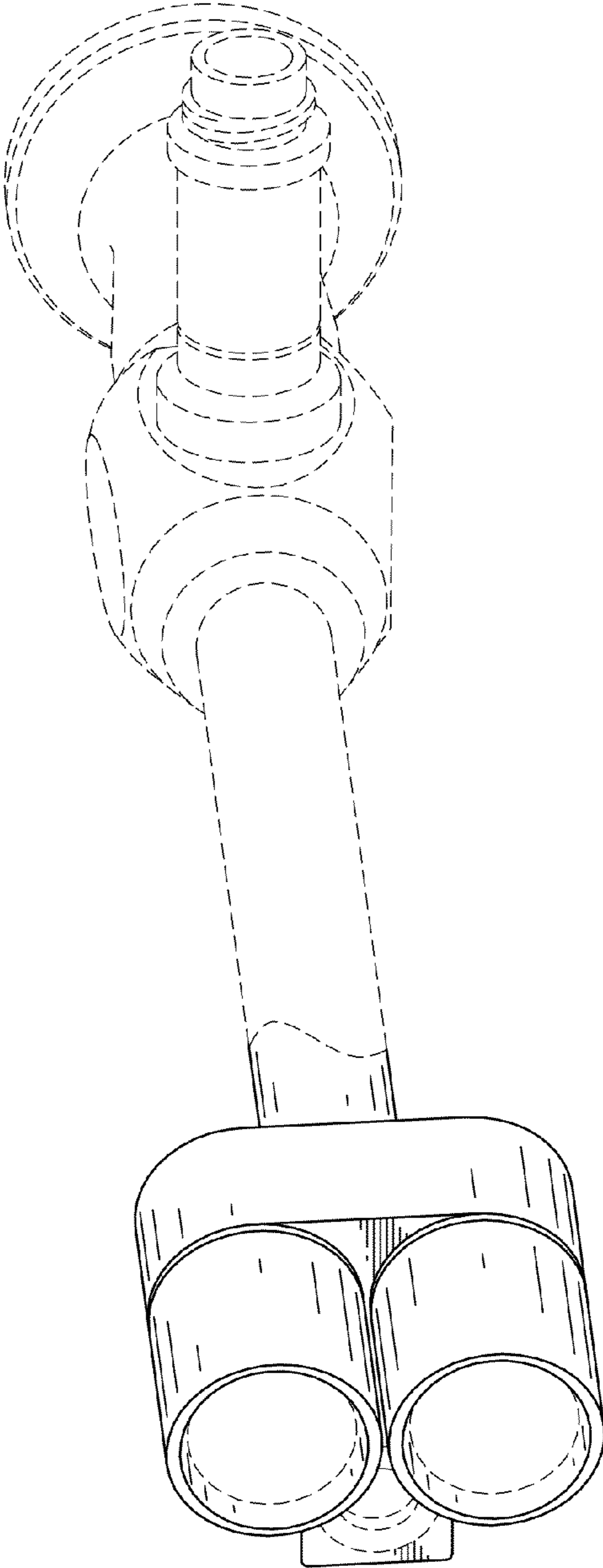


FIG.4

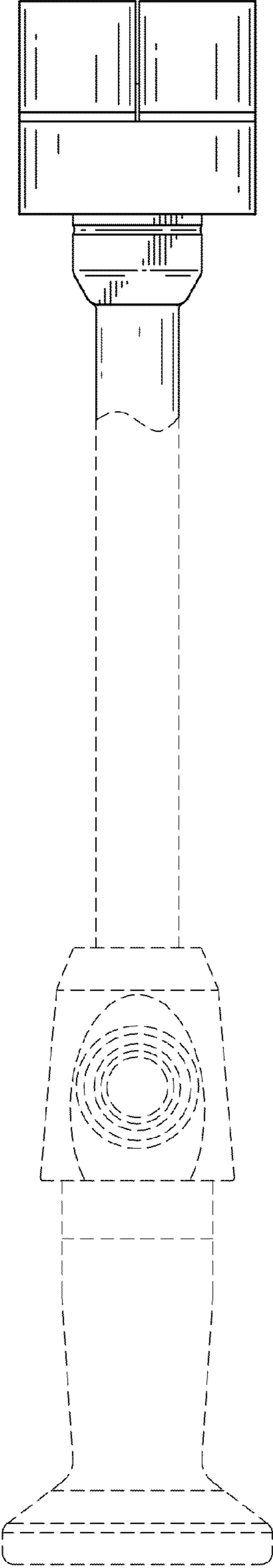


FIG.5

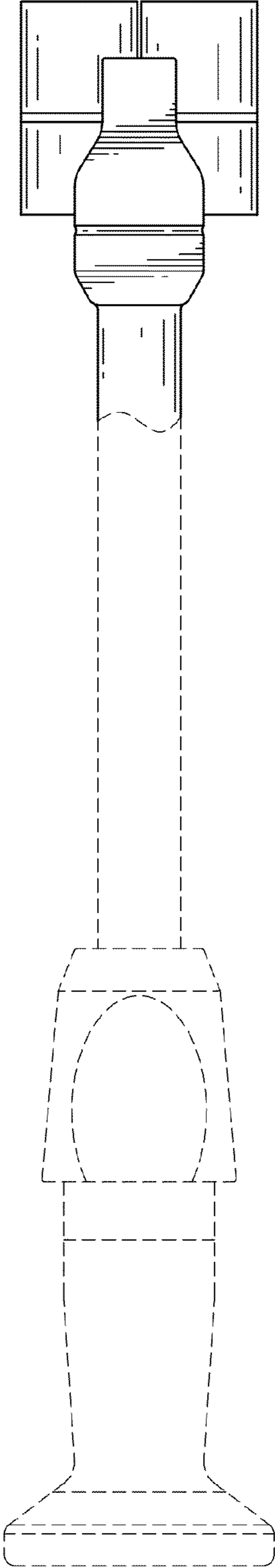


FIG.6

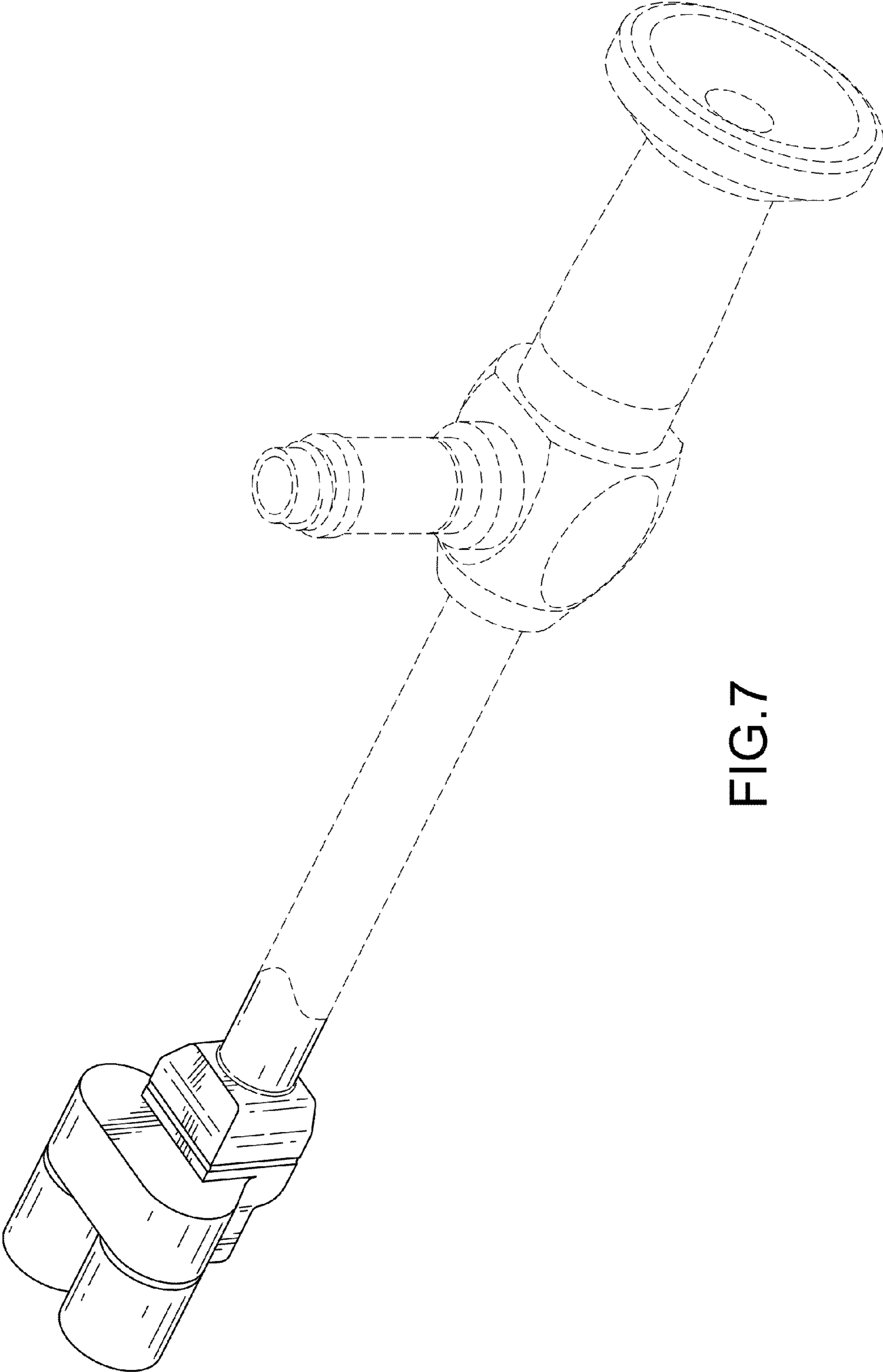


FIG. 7