



US00D716444S

(12) **United States Design Patent**
Khalaj

(10) **Patent No.:** **US D716,444 S**
(45) **Date of Patent:** **** Oct. 28, 2014**

(54) **CATHETER CONNECTOR SECUREMENT
DEVICE**

FOREIGN PATENT DOCUMENTS

- (71) Applicant: **Kimberly-Clark Worldwide, Inc.**,
Neenah, WI (US)
- (72) Inventor: **Steve Saeed Khalaj**, Laguna Hills, CA
(US)
- (73) Assignee: **Kimberly-Clark Worldwide, Inc.**,
Neenah, WI (US)

CA 2 495 013 2/2004

* cited by examiner

Primary Examiner — Robert Delehanty

(74) *Attorney, Agent, or Firm* — Dority & Manning, P.A.

(57) **CLAIM**

The ornamental design for a catheter connector securement device, as shown and described.

DESCRIPTION

- (**) Term: **14 Years**
- (21) Appl. No.: **29/473,768**
- (22) Filed: **Nov. 26, 2013**
- (51) **LOC (10) Cl.** **24-02**
- (52) **U.S. Cl.**
USPC **D24/128**
- (58) **Field of Classification Search**
USPC D23/112, 127–130, 189; 604/174, 178,
604/180, 921; 602/58–59
See application file for complete search history.

FIG. 1 is a perspective view of a catheter connector securement device embodying my new design, with a catheter connector secured in the device shown in phantom;
 FIG. 2 is a perspective view of the securement device shown in FIG. 1 with the upper shell member in an open position for receipt of a catheter connector;
 FIG. 3 is a top view of the open securement device shown in FIG. 2;
 FIG. 4 is a top view of the closed securement device shown in FIG. 1;
 FIG. 5 is a side view of a first side of the securement device shown in FIG. 4;
 FIG. 6 is a side view of a second side of the securement device shown in FIG. 4;
 FIG. 7 is an end view of a first end of the securement device shown in FIG. 4;
 FIG. 8 is an end view of a second end of the securement device shown in FIG. 4; and,
 FIG. 9 is a bottom view of the securement device shown in FIG. 4.

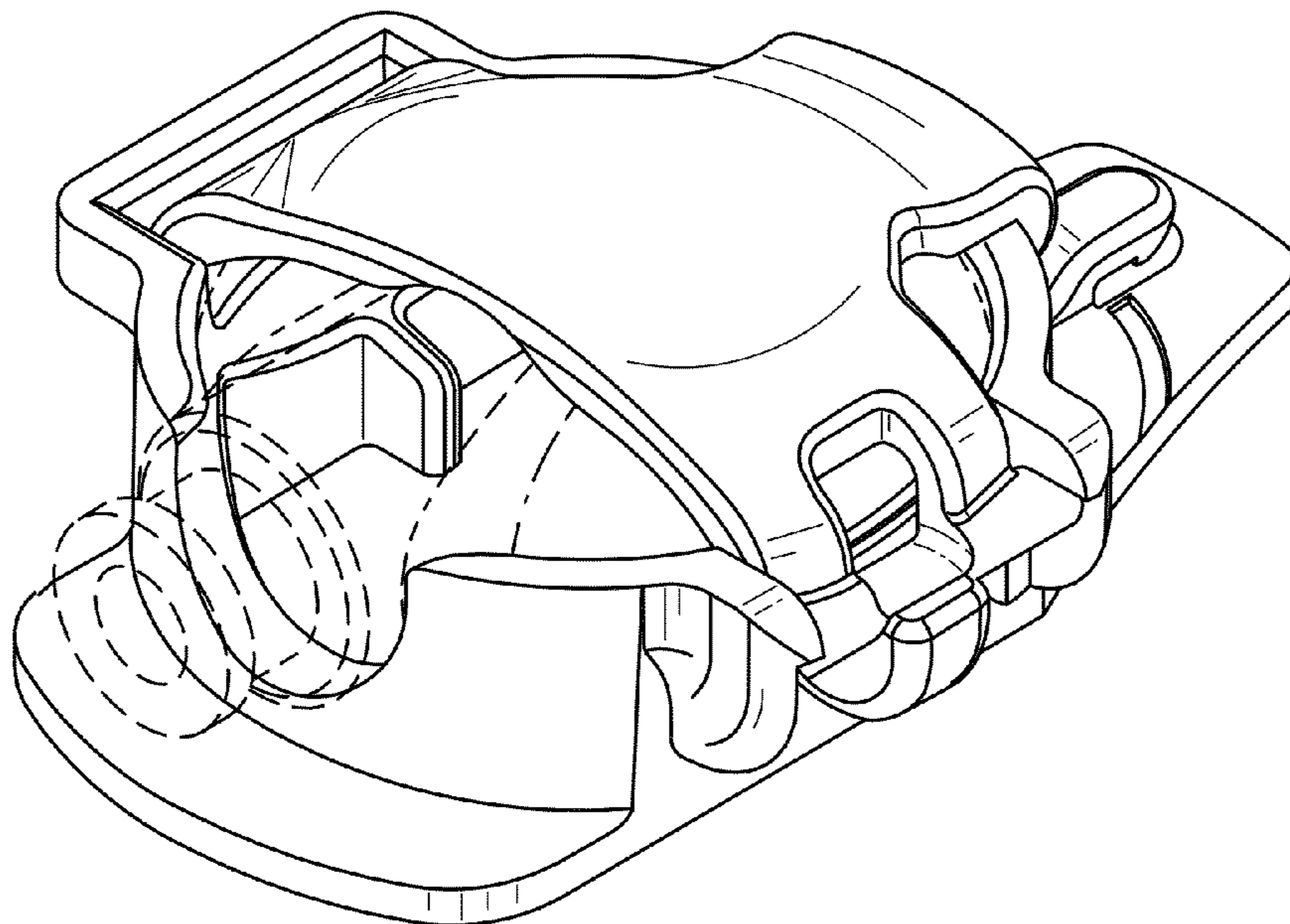
The broken lines in the drawings represent unclaimed environmental subject matter illustrating the design in use and form no part of the claim.

(56) **References Cited**

U.S. PATENT DOCUMENTS

D376,974 S *	12/1996	Chen	D24/128
D465,843 S *	11/2002	Guala	D24/129
D484,592 S *	12/2003	Ryhman et al.	D24/128
7,014,627 B2	3/2006	Bierman		
7,635,355 B2	12/2009	Bierman		
D629,513 S *	12/2010	Bierman et al.	D24/128
7,959,623 B2	6/2011	Massengale		
8,394,065 B2	3/2013	Bierman		
2009/0184026 A1	7/2009	Massengale et al.		

1 Claim, 6 Drawing Sheets



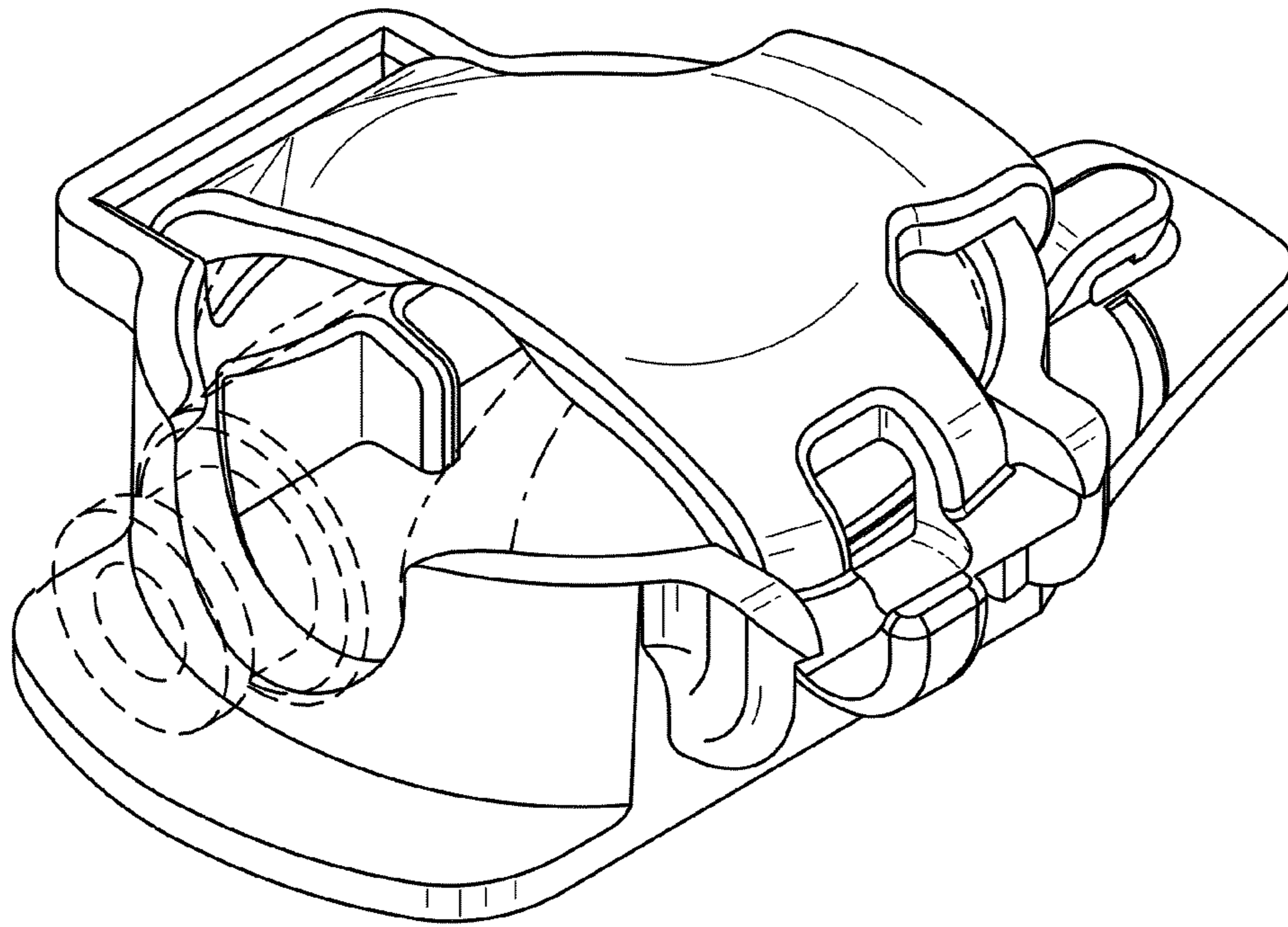


FIG. 1

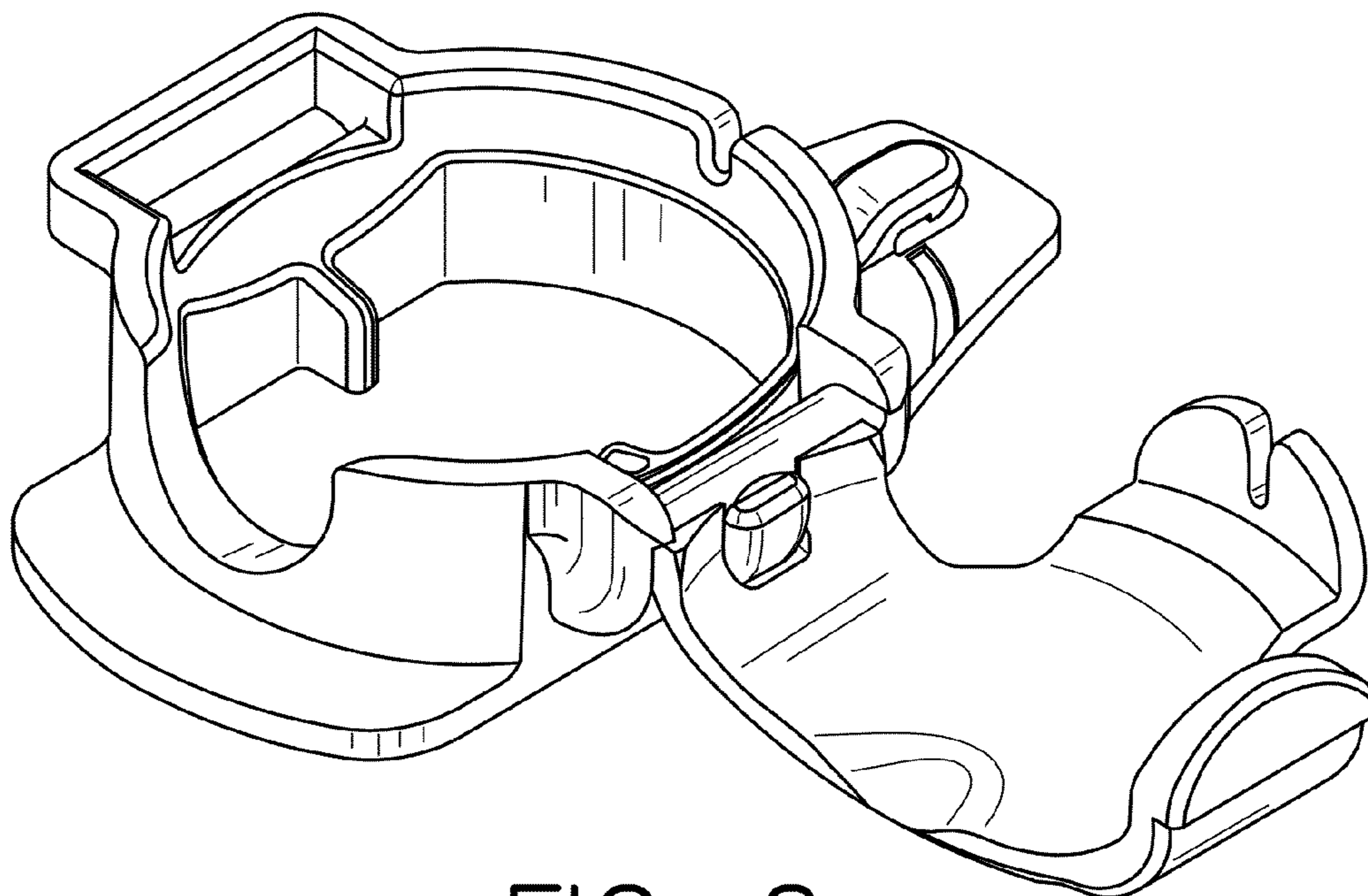


FIG. 2

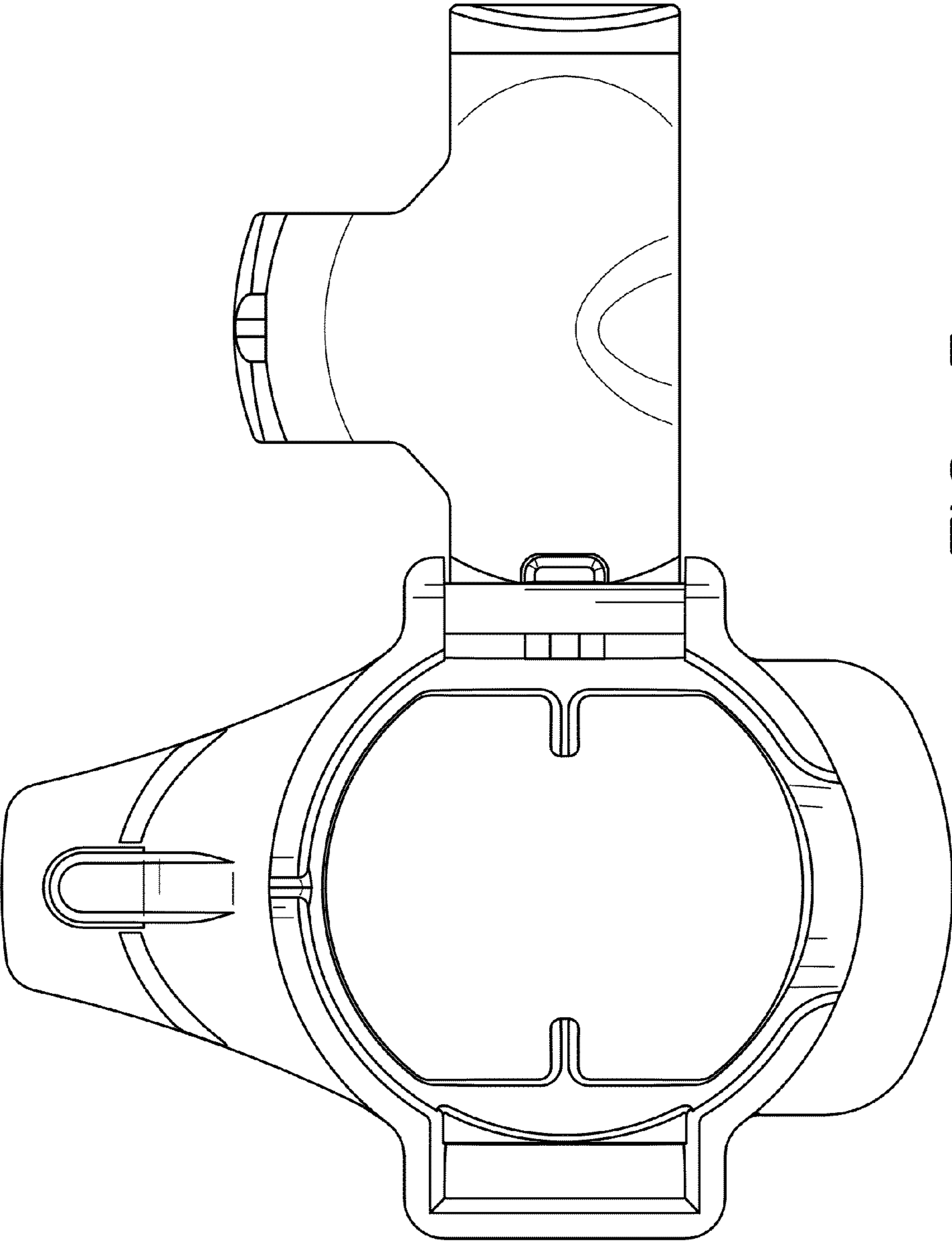


FIG. 3

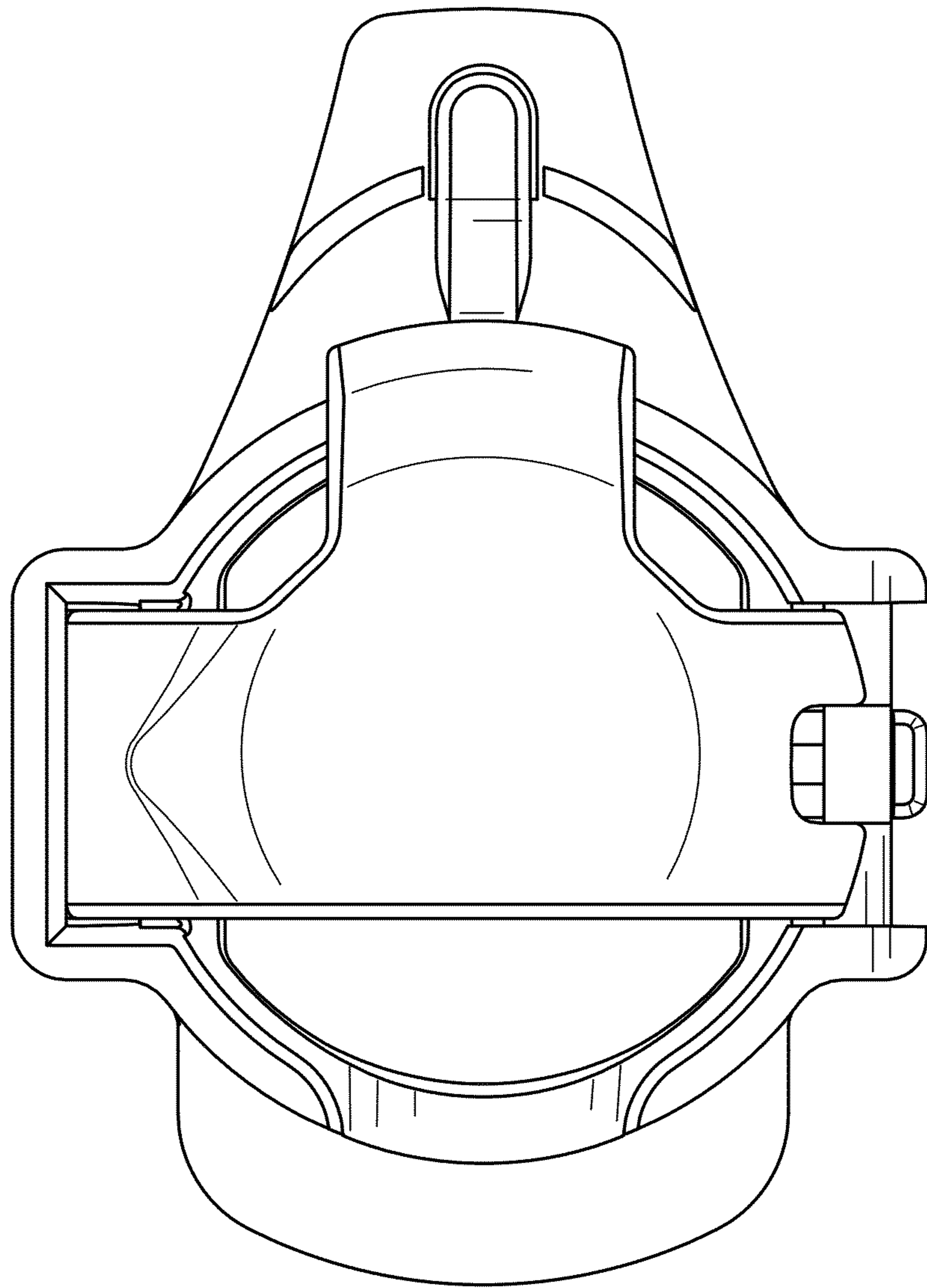


FIG. 4

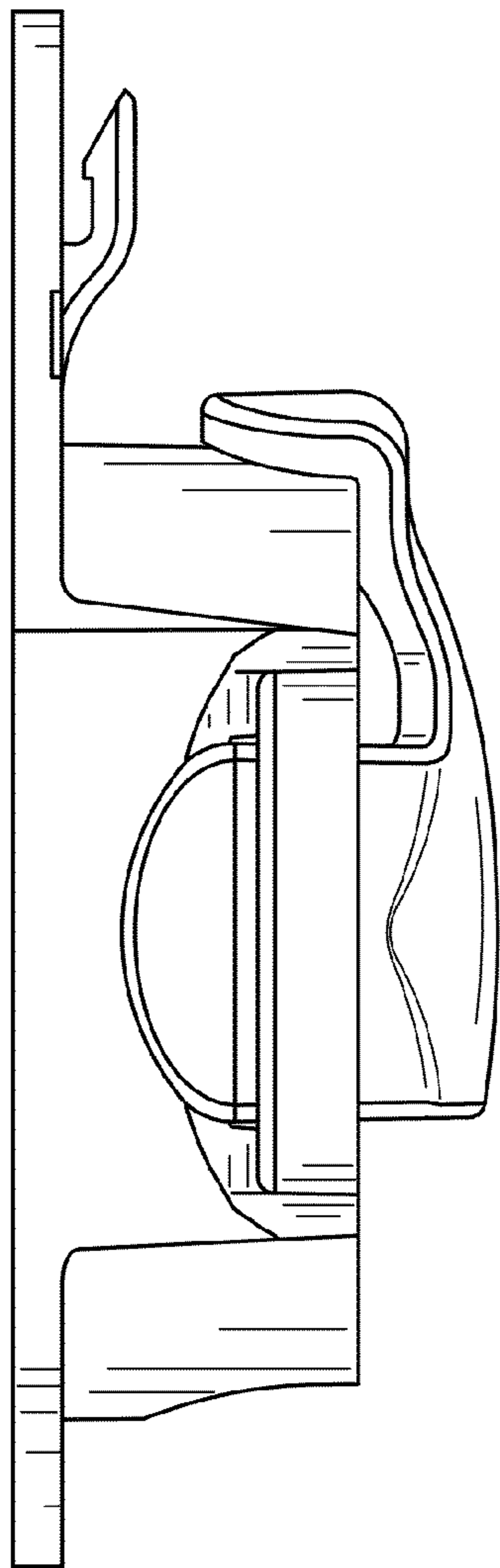


FIG. 5

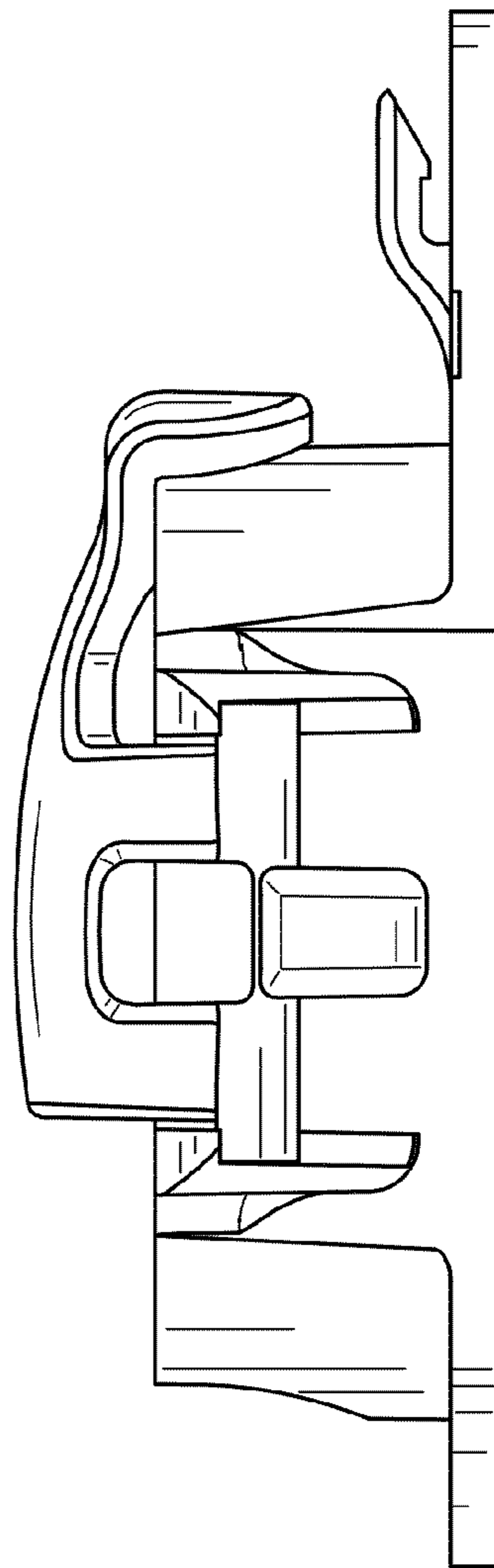


FIG. 6

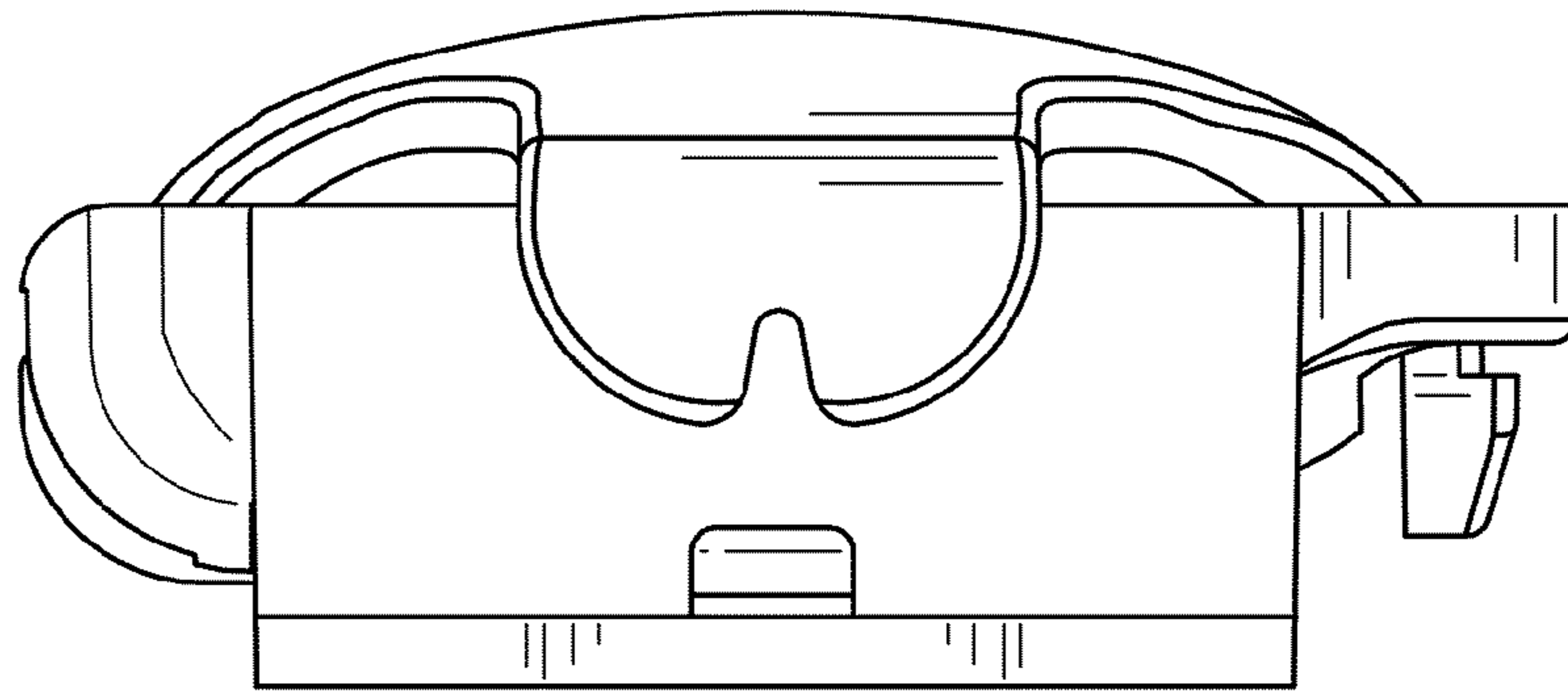


FIG. 7

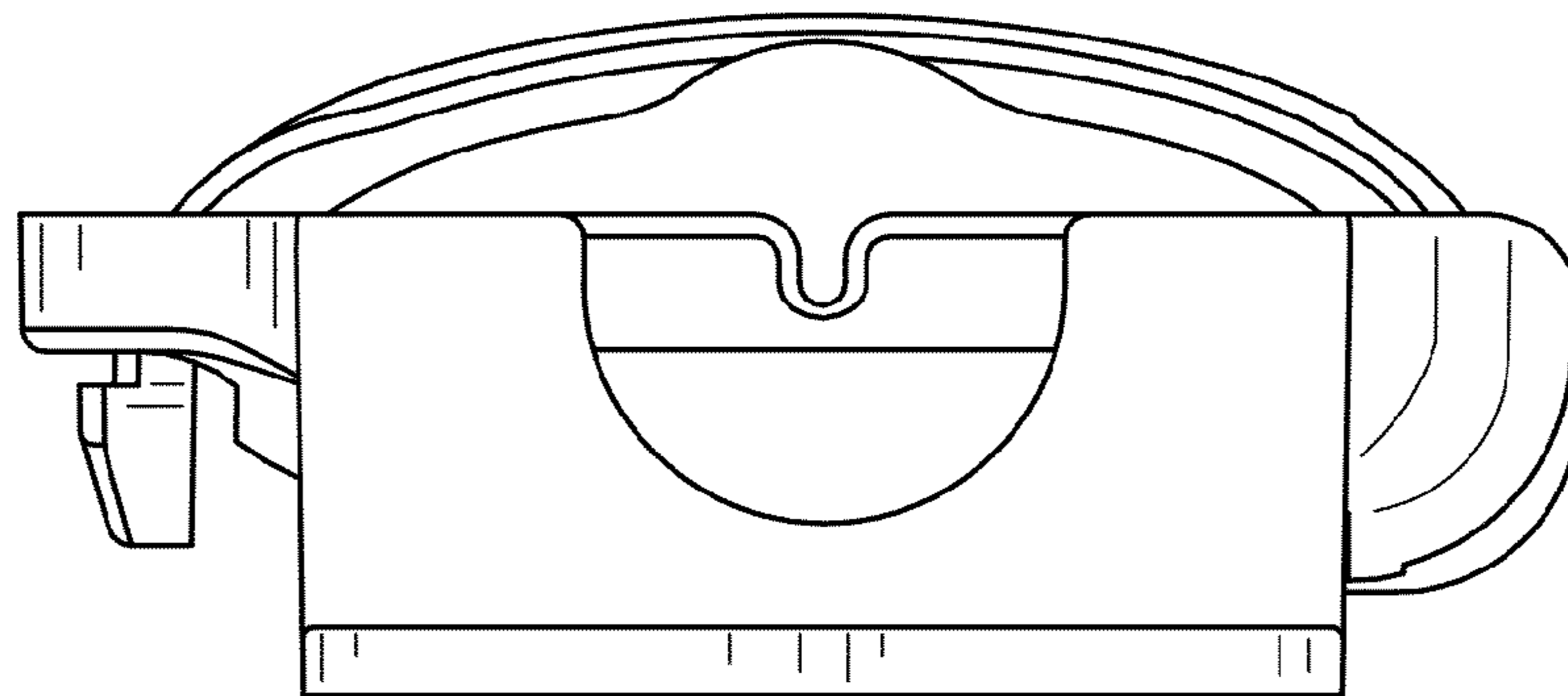


FIG. 8

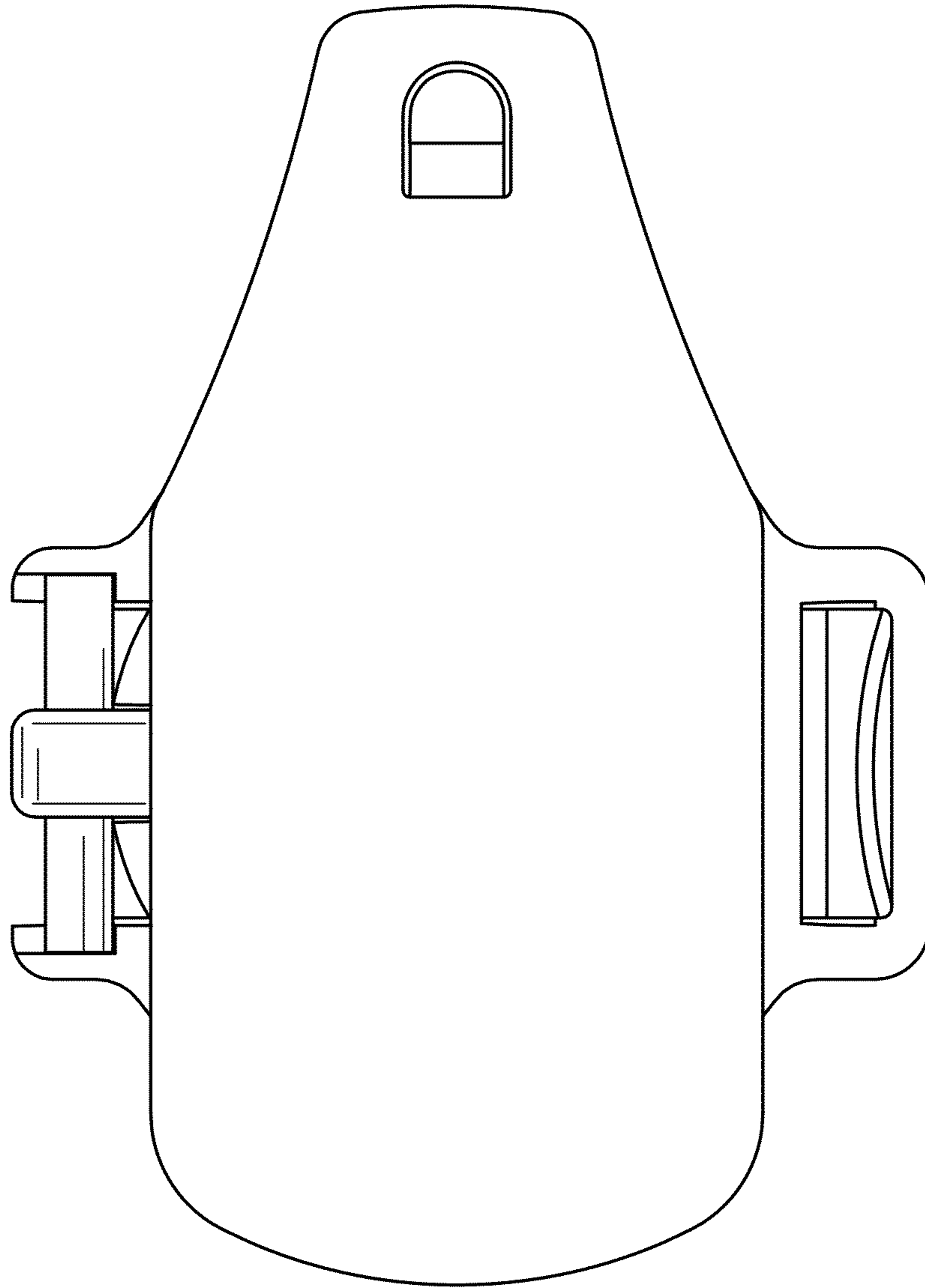


FIG. 9