



US00D716443S

(12) **United States Design Patent**
Marguerie

(10) **Patent No.:** **US D716,443 S**

(45) **Date of Patent:** **** Oct. 28, 2014**

(54) **MEDICAL PUMP HOLDER**

(75) Inventor: **Patrick Marguerie**, Annecy (FR)

(73) Assignee: **Fresenius Vial SAS**, Brézins (FR)

(**) Term: **14 Years**

(21) Appl. No.: **29/403,545**

(22) Filed: **Oct. 7, 2011**

(51) **LOC (10) Cl.** **24-02**

(52) **U.S. Cl.**
USPC **D24/128; D8/72**

(58) **Field of Classification Search**
USPC D24/128, 111, 133, 143; D8/71-74,
D8/394-399, 59; 248/62, 63, 72, 74.1,
248/689, 124.2; 81/847; 269/3, 4, 6, 143,
269/165, 240, 243, 246-249, 254 R,
269/147-149; 29/256, 257, 276; D15/140;
408/103, 104-109; 417/572, 234;
239/140, 144

See application file for complete search history.

(56) **References Cited**

U.S. PATENT DOCUMENTS

D254,835 S * 4/1980 Bass D8/74
D261,609 S * 11/1981 Roux D8/74

D303,835 S * 10/1989 Barclay D24/111
D333,963 S * 3/1993 Goodman D8/74
5,993,180 A * 11/1999 Westerhof et al. 417/571
D440,853 S * 4/2001 Welsh et al. D8/73
D471,070 S * 3/2003 Howell D8/72
D473,441 S * 4/2003 Cross D8/74
D485,740 S * 1/2004 Varzino et al. D8/74
D487,220 S * 3/2004 Phillips D8/72
D537,938 S * 3/2007 Hay et al. D24/133
D628,693 S * 12/2010 Thuenker D24/133
D668,329 S * 10/2012 Faridi Majidi et al. D24/111

* cited by examiner

Primary Examiner — David Muller

(74) *Attorney, Agent, or Firm* — Occhiuti & Rohlicek LLP

(57) **CLAIM**

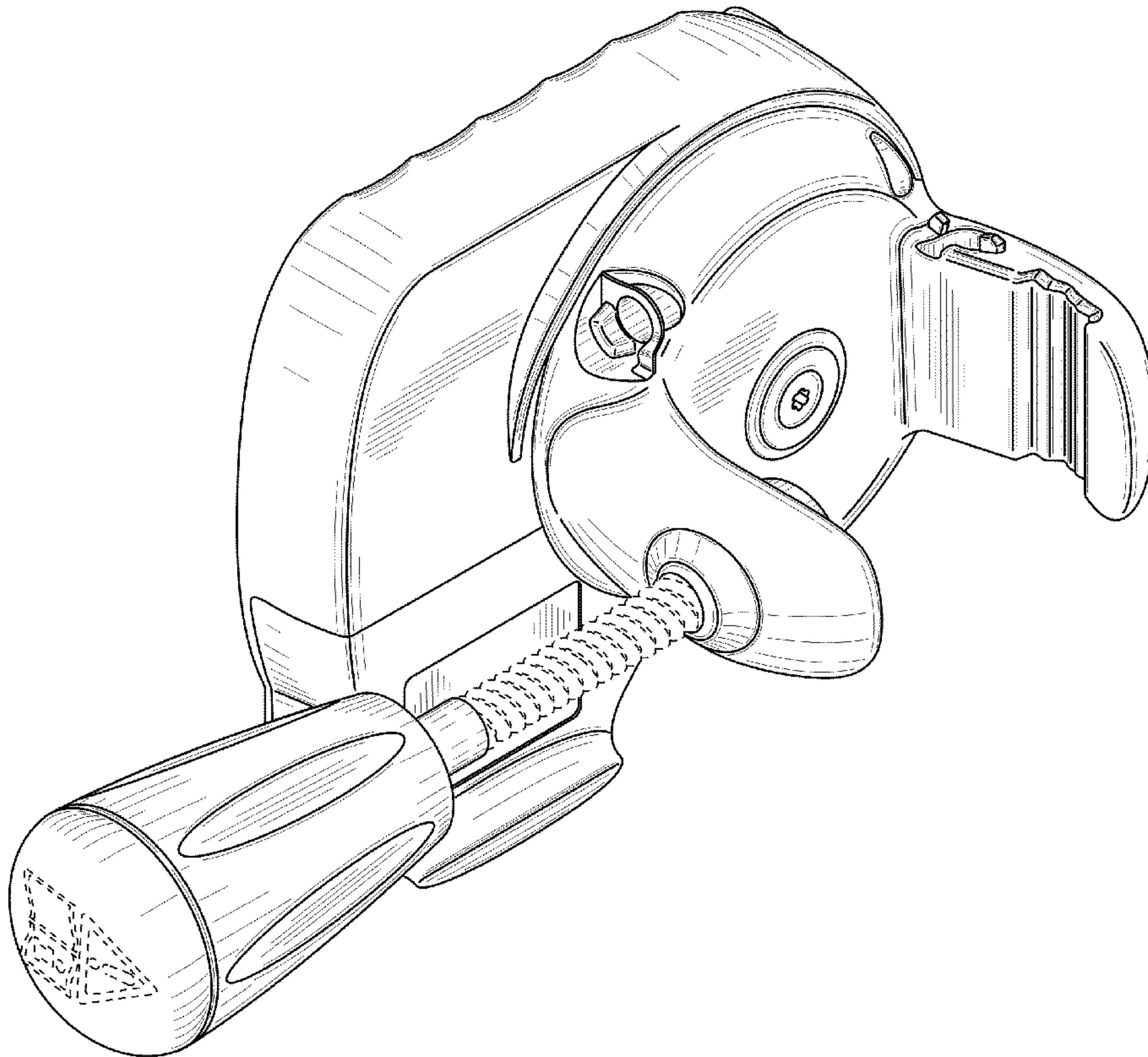
The ornamental design for a medical pump holder, as shown and described.

DESCRIPTION

FIG. 1 is a top view of the design for a medical pump holder. FIG. 2 is a front view thereof. FIG. 3 is a bottom view thereof. FIG. 4 is a right side view thereof. FIG. 5 is a rear view thereof. FIG. 6 is a left side view thereof; and, FIG. 7 is a perspective view thereof.

The broken line showing of parts of the drawings is included for the purpose of illustrating use and environment and forms no part of the claimed design.

1 Claim, 7 Drawing Sheets



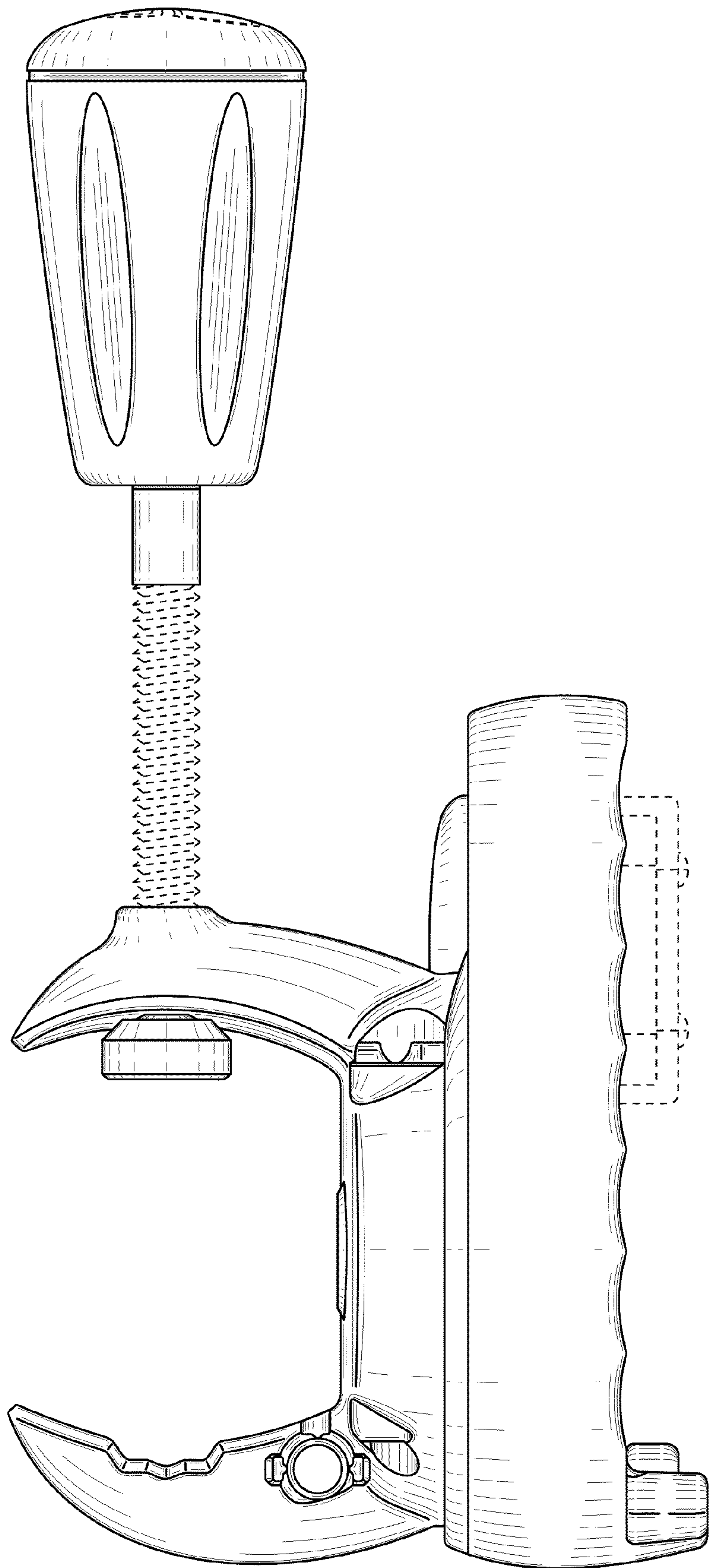


FIG. 1

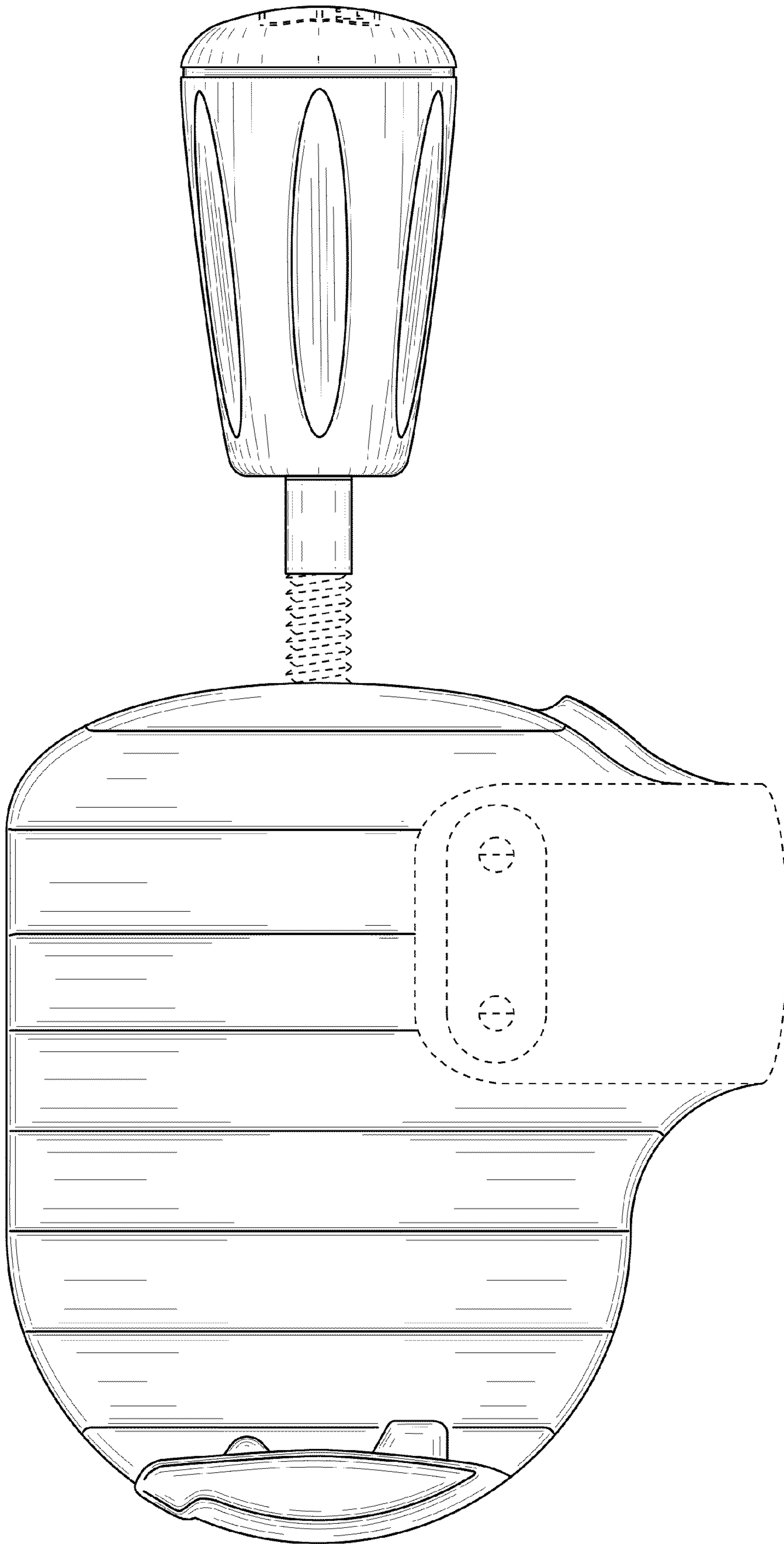


FIG. 2

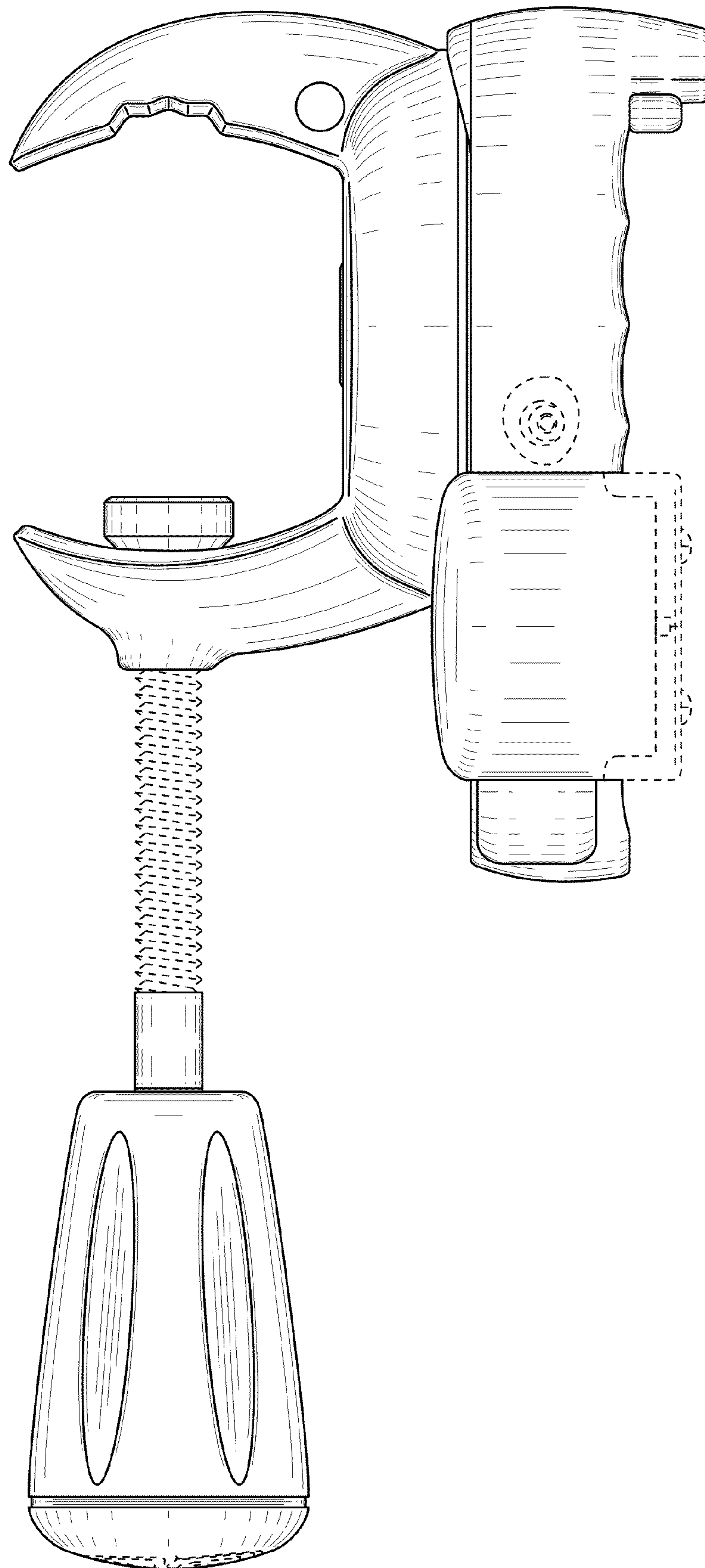


FIG. 3

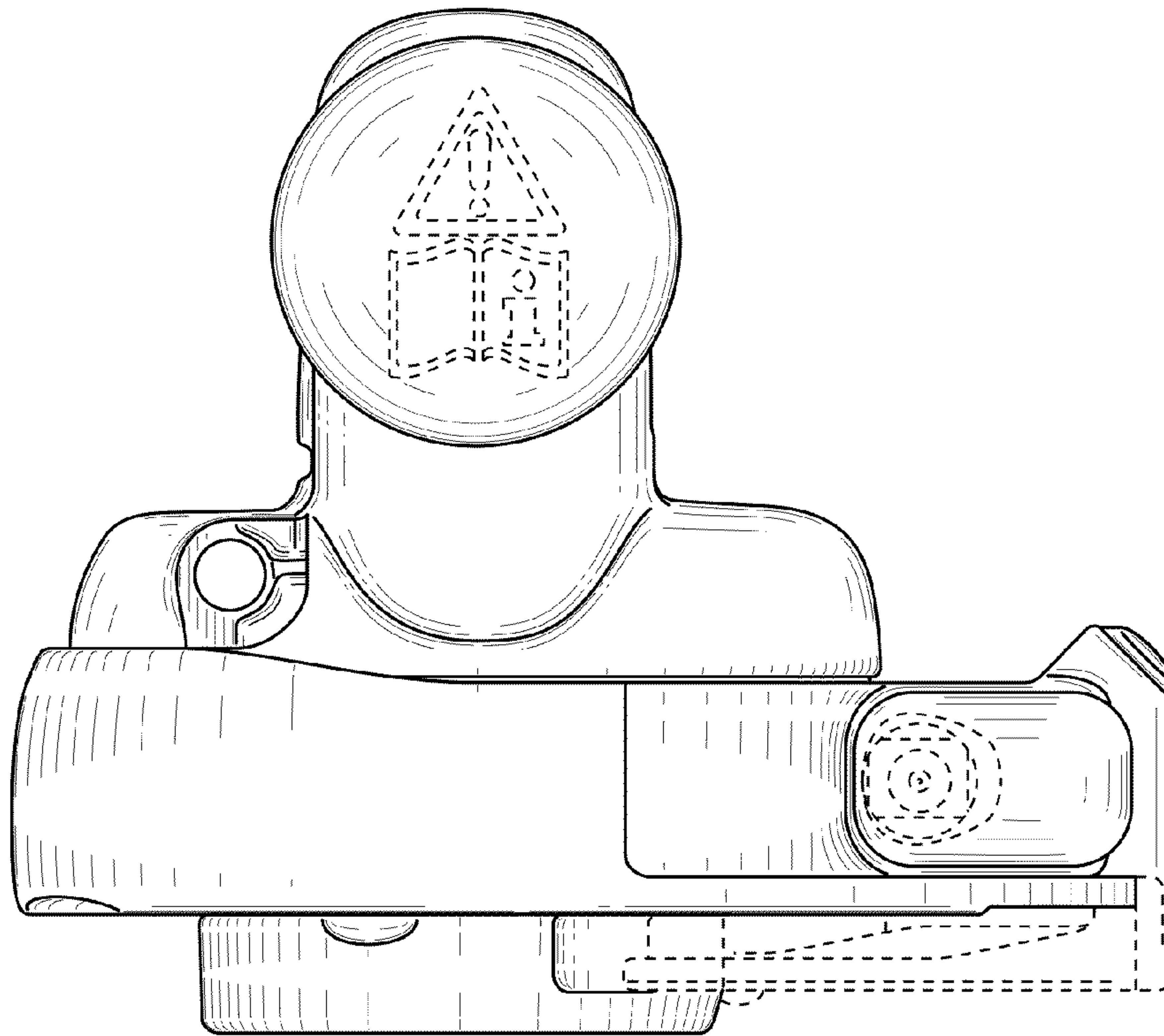


FIG. 4

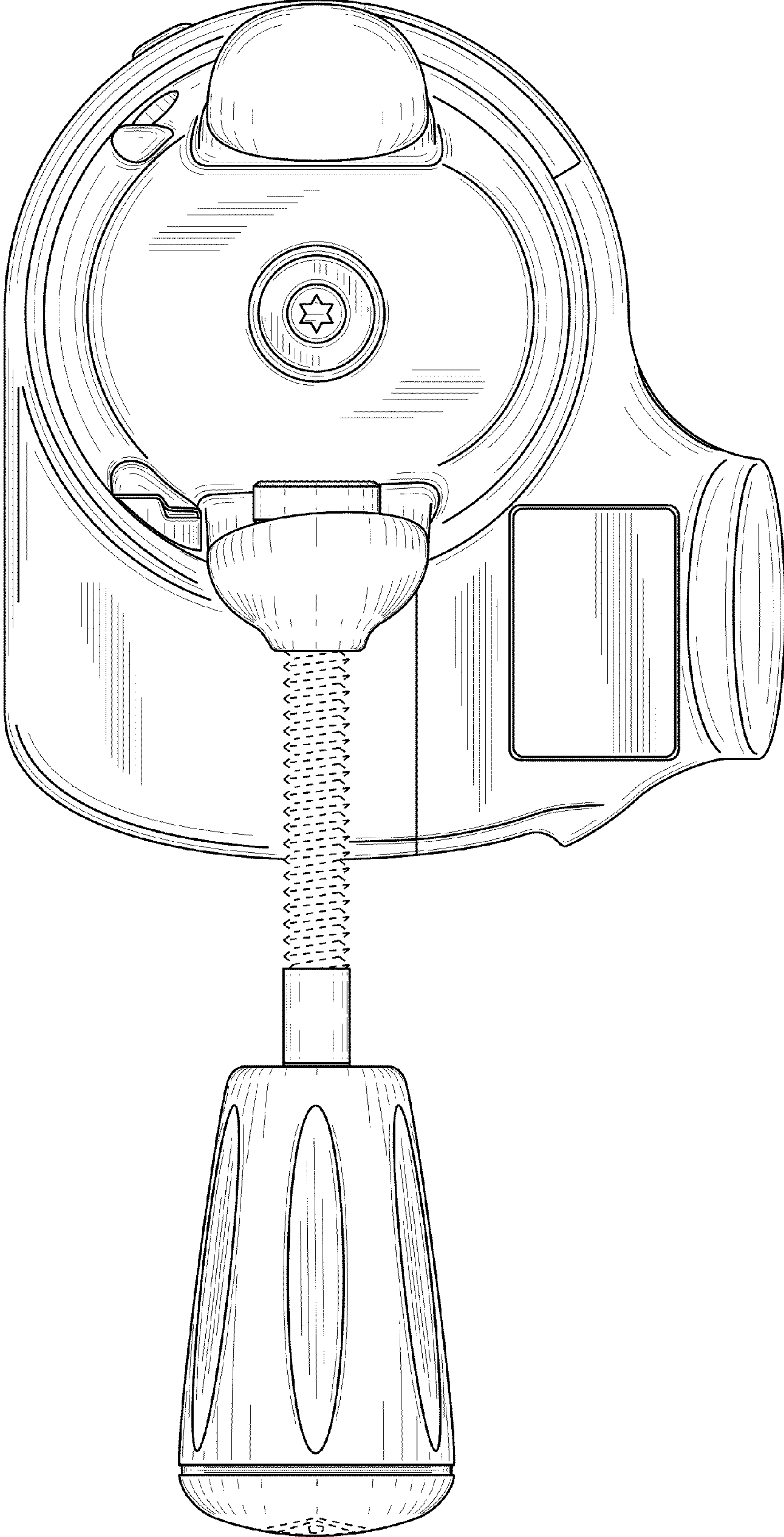


FIG. 5

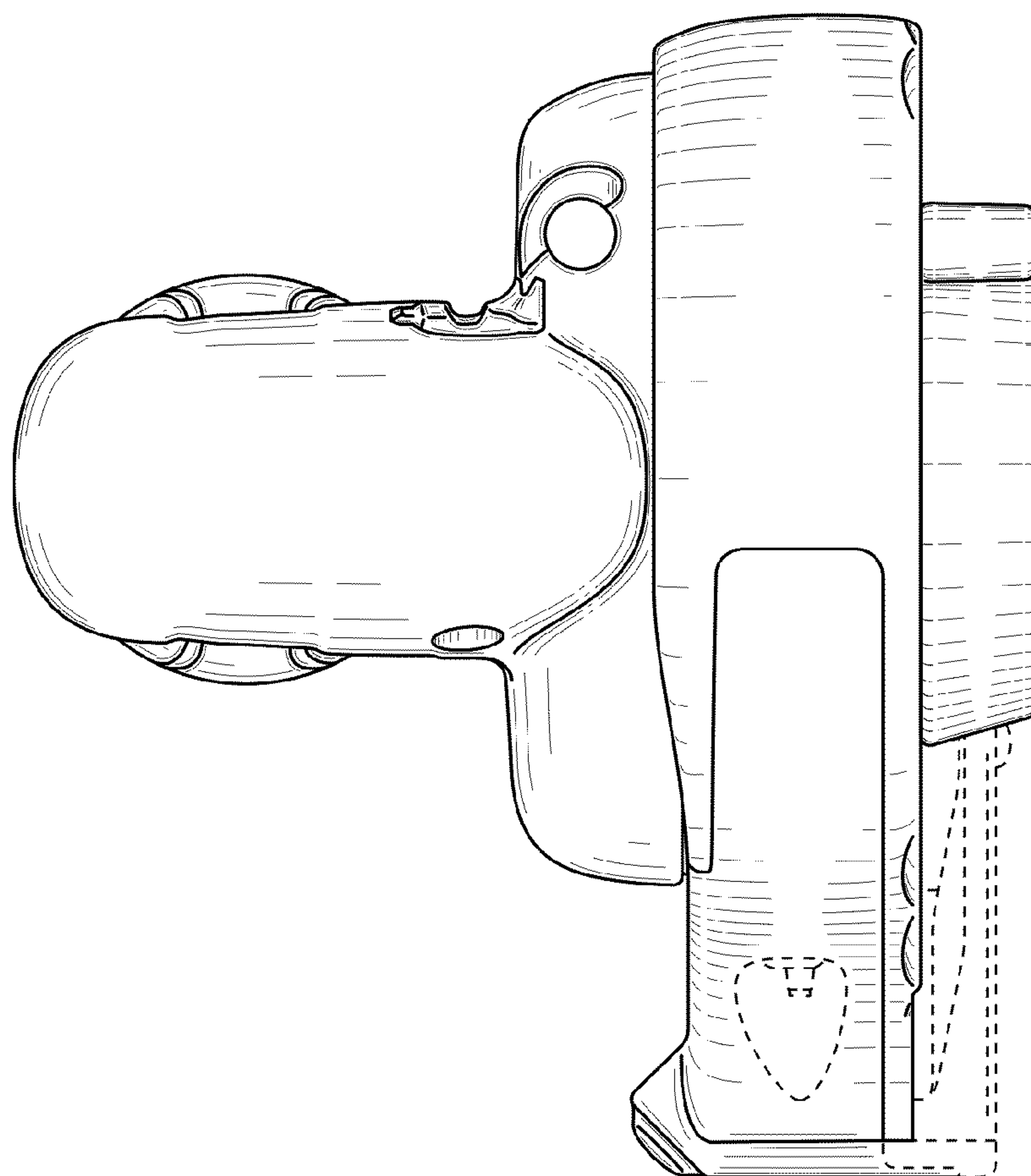


FIG. 6

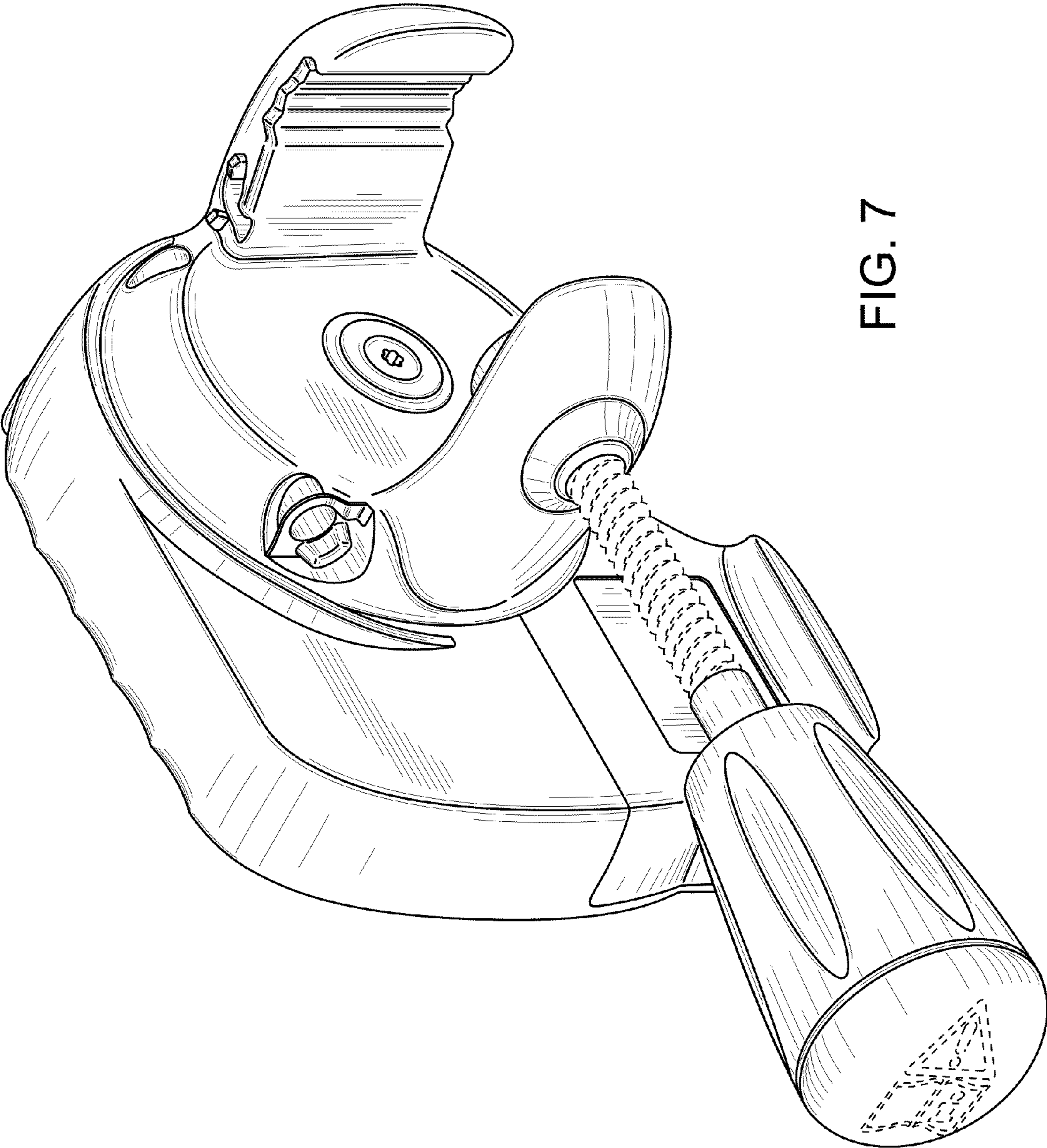


FIG. 7