



US00D716441S

(12) **United States Design Patent**
Johnson et al.

(10) **Patent No.:** **US D716,441 S**

(45) **Date of Patent:** **** *Oct. 28, 2014**

(54) **INFLATOR**

(71) Applicant: **Acclarent, Inc.**, Menlo Park, CA (US)

(72) Inventors: **Gregory W. Johnson**, Milford, OH (US); **Darius D. Eghbal**, Oakland, CA (US); **Sebastian L. Bachmann**, Redwood City, CA (US); **Charlie Chandra**, San Jose, CA (US); **Radit Tantisira**, Menlo Park, CA (US)

(73) Assignee: **Acclarent, Inc.**, Menlo Park, CA (US)

(*) Notice: This patent is subject to a terminal disclaimer.

(**) Term: **14 Years**

(21) Appl. No.: **29/466,466**

(22) Filed: **Sep. 9, 2013**

(51) **LOC (10) Cl.** **24-02**

(52) **U.S. Cl.**
USPC **D24/112**

(58) **Field of Classification Search**
USPC D24/112-114, 130, 127, 133, 186, 108;
606/181, 185; 604/95.03,
604/96.01-100.01, 264, 272, 115,
604/164.01-164.09, 533, 232, 187, 168.01,
604/192, 19, 48, 93.01, 523, 524, 526;
600/101, 139, 143; 128/200.24,
128/207.14, 207.15
See application file for complete search history.

(56) **References Cited**

U.S. PATENT DOCUMENTS

4,655,749 A 4/1987 Fischione
4,919,121 A 4/1990 Rydell et al.
D309,663 S * 7/1990 Robinson D24/127
D330,078 S * 10/1992 Porter D24/127
D330,763 S * 11/1992 Penny et al. D24/113

5,284,480 A * 2/1994 Porter et al. 604/97.03
5,449,344 A * 9/1995 Taylor et al. 604/97.03
6,394,977 B1 * 5/2002 Taylor et al. 604/100.01
D467,334 S * 12/2002 Homma D24/114
7,207,971 B2 4/2007 Hart et al.
7,241,283 B2 * 7/2007 Putz 604/164.09
7,775,968 B2 * 8/2010 Mathis 600/101
8,057,430 B2 * 11/2011 Grovender et al. 604/96.01
8,398,588 B1 * 3/2013 Lampropoulos et al. .. 604/97.03
8,496,617 B2 * 7/2013 Caclin 604/97.02
8,540,750 B2 * 9/2013 Tegels 604/96.01
2014/0074140 A1 3/2014 Johnson et al.
2014/0074141 A1 3/2014 Johnson et al.

FOREIGN PATENT DOCUMENTS

WO WO 92/06735 4/1992
WO WO 94/15120 7/1994
WO WO 97/44077 11/1997
WO WO 2006/130491 12/2006

* cited by examiner

Primary Examiner — David Muller

(74) *Attorney, Agent, or Firm* — Frost Brown Todd LLC

(57) **CLAIM**

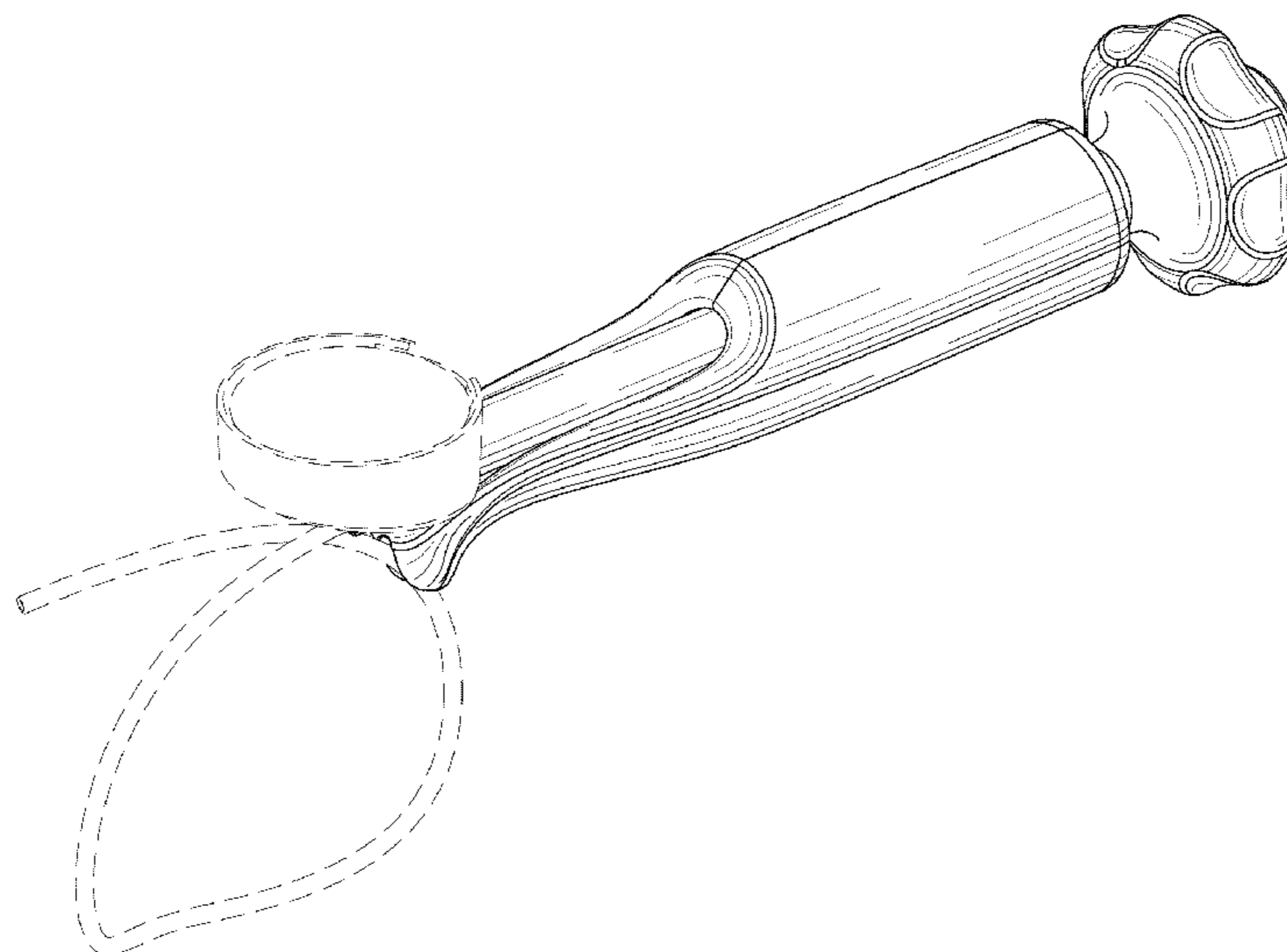
The ornamental design for an inflator, as shown and described.

DESCRIPTION

FIG. 1 is a top perspective view of an inflator, showing our new design;
FIG. 2 is a bottom perspective view thereof;
FIG. 3 is a front elevation view thereof;
FIG. 4 is a rear elevation view thereof;
FIG. 5 is a left side elevation view thereof;
FIG. 6 is a right side elevation view thereof;
FIG. 7 is a top plan view thereof; and,
FIG. 8 is a bottom plan view thereof.

The gauge and tubing shown in broken lines is/are unclaimed environment, and form no part of the claimed design.

1 Claim, 8 Drawing Sheets



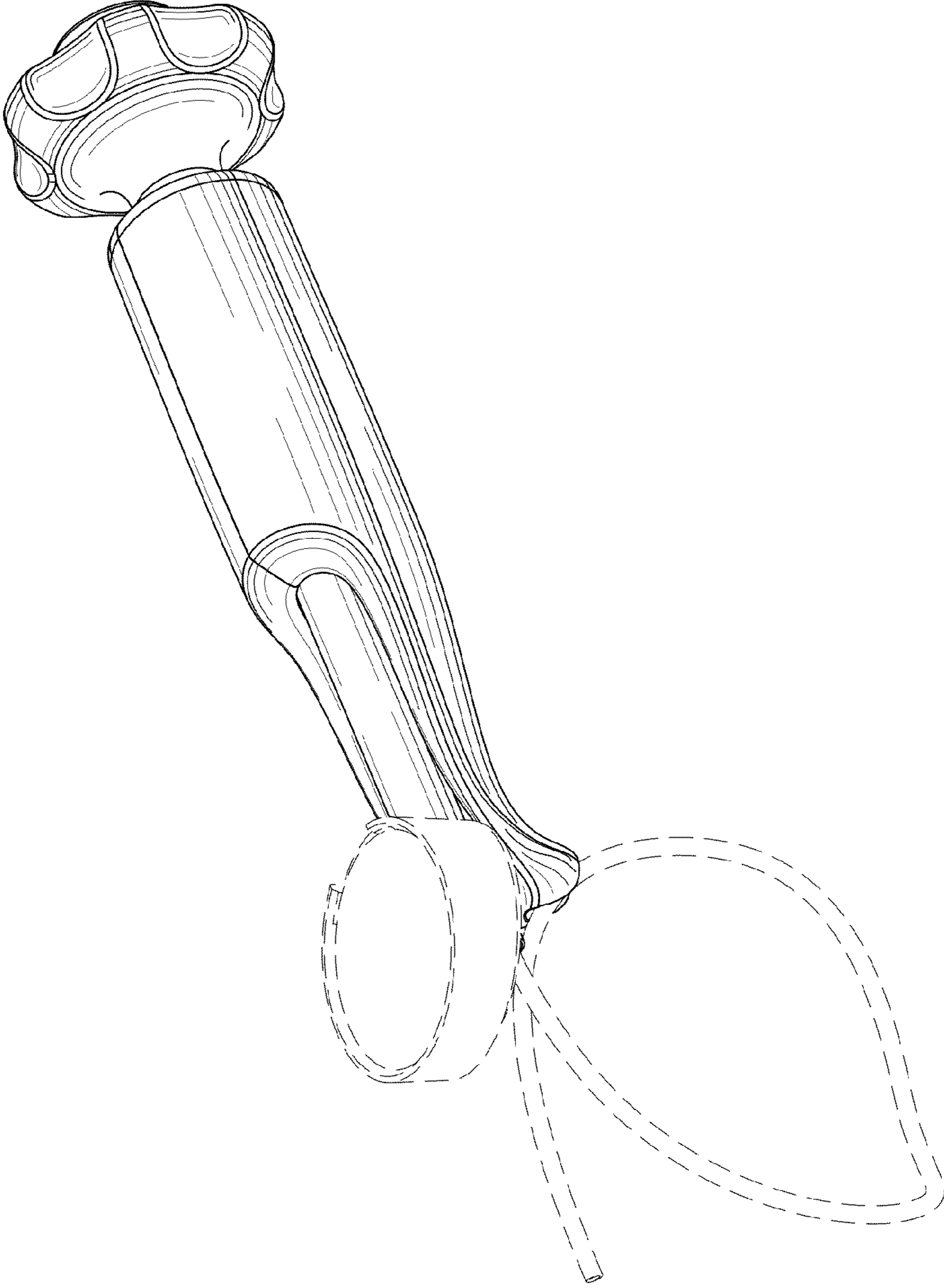


Fig. 1

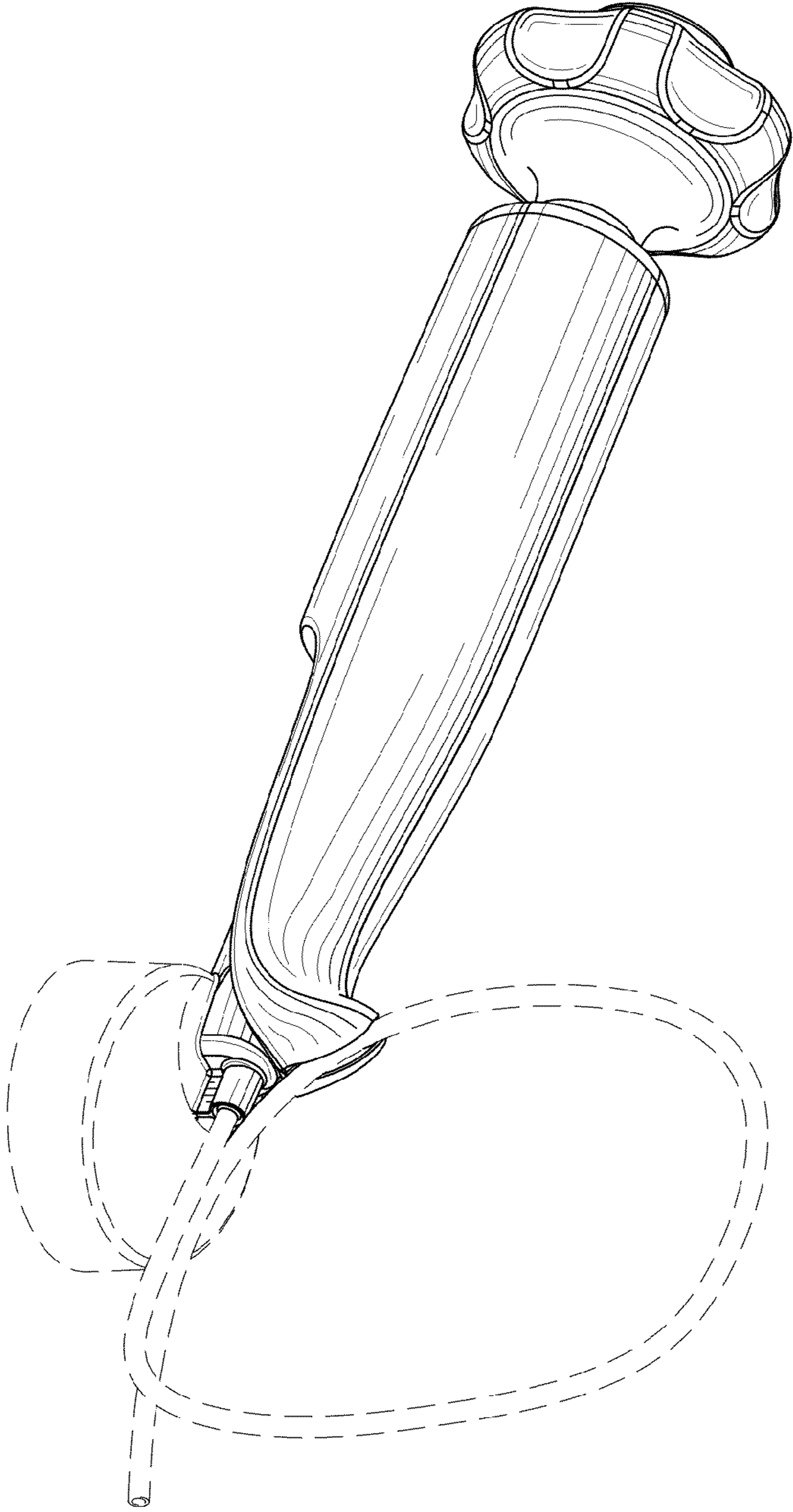


Fig. 2

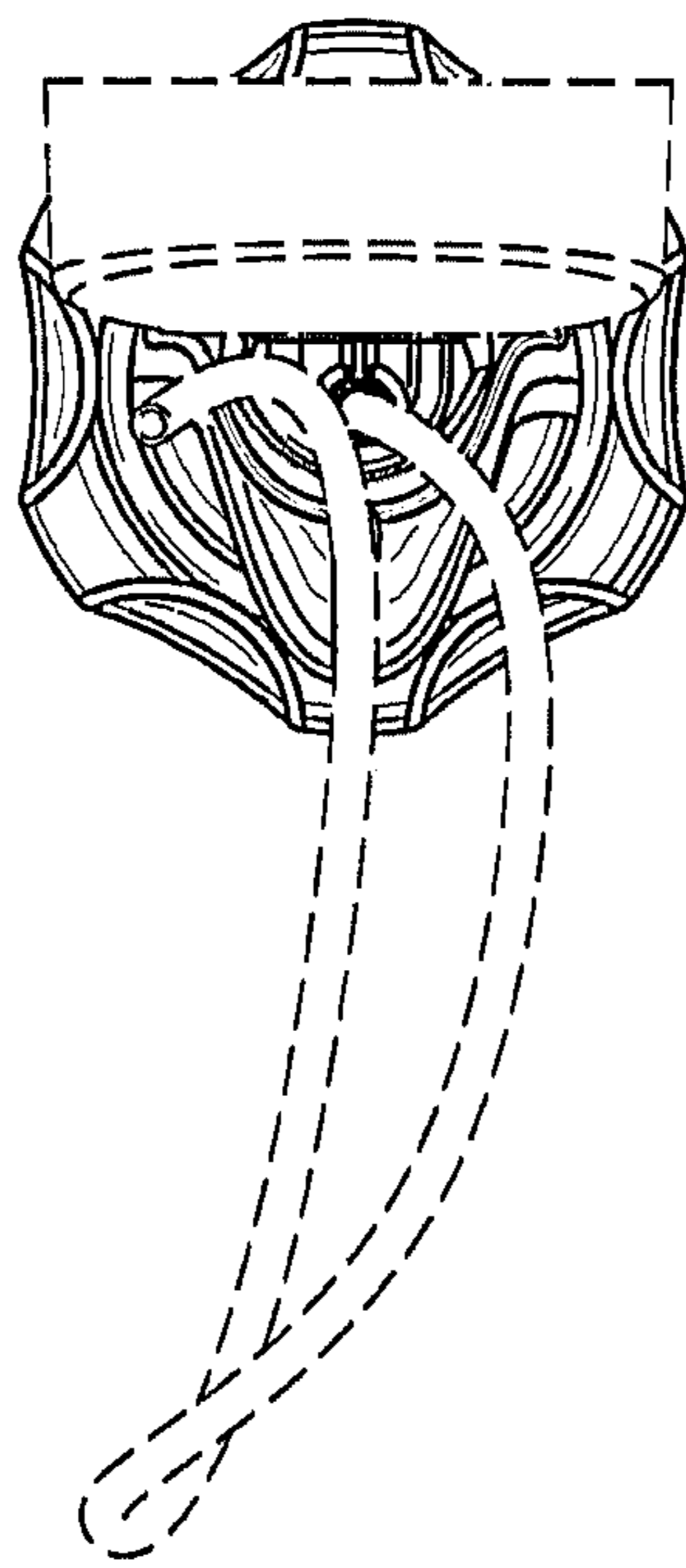


Fig.3

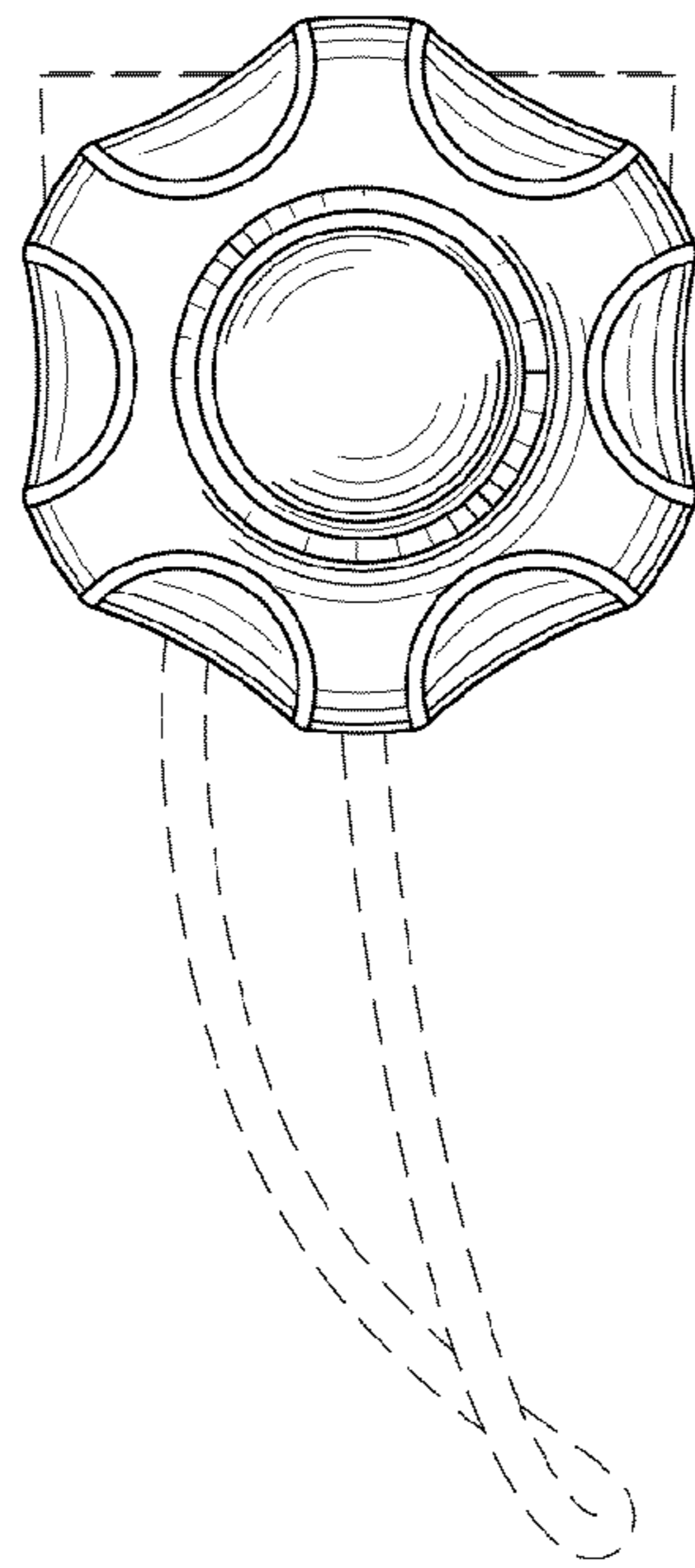


Fig.4

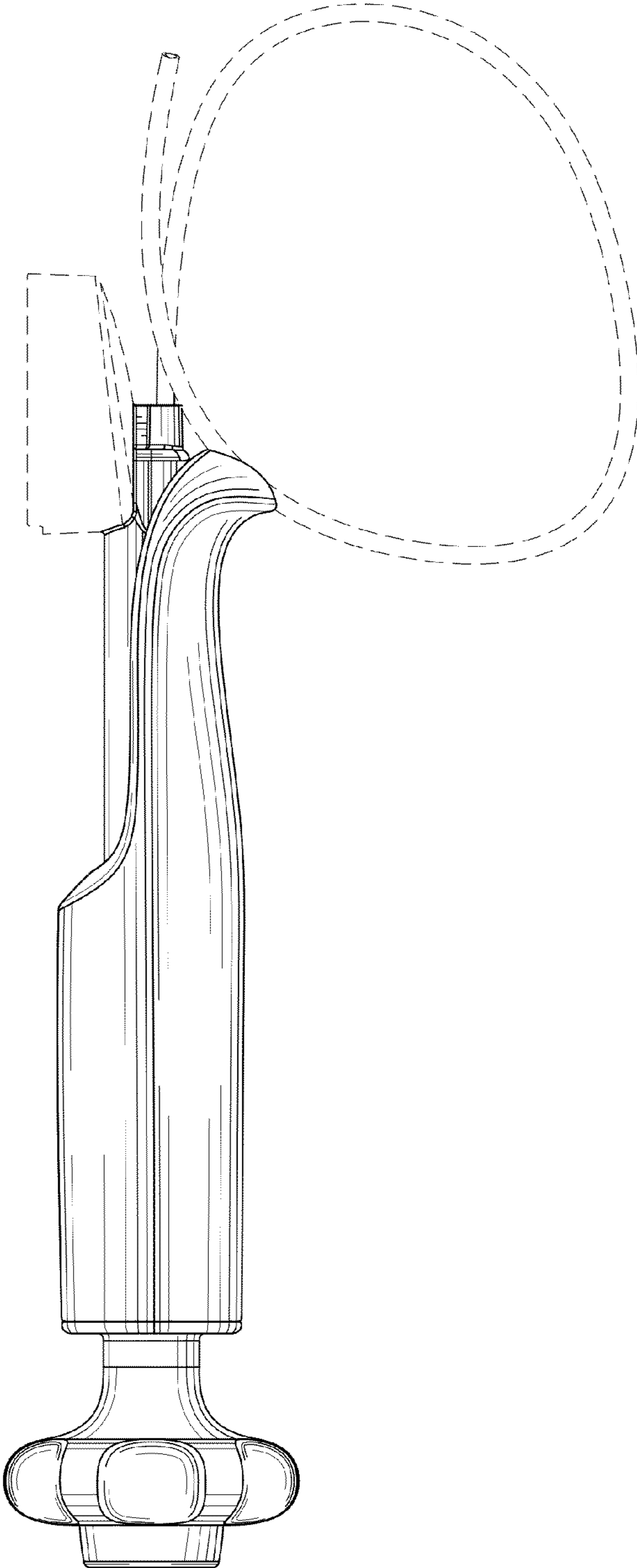


Fig. 5

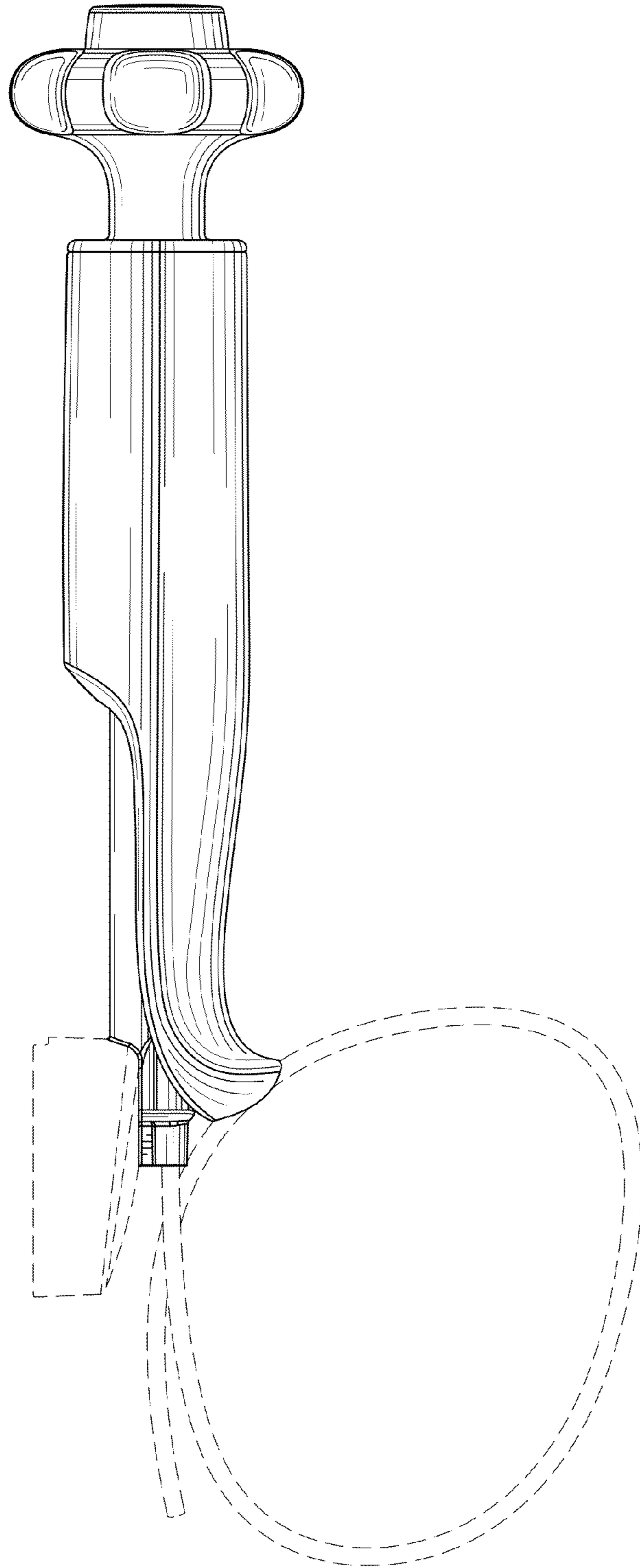


Fig. 6

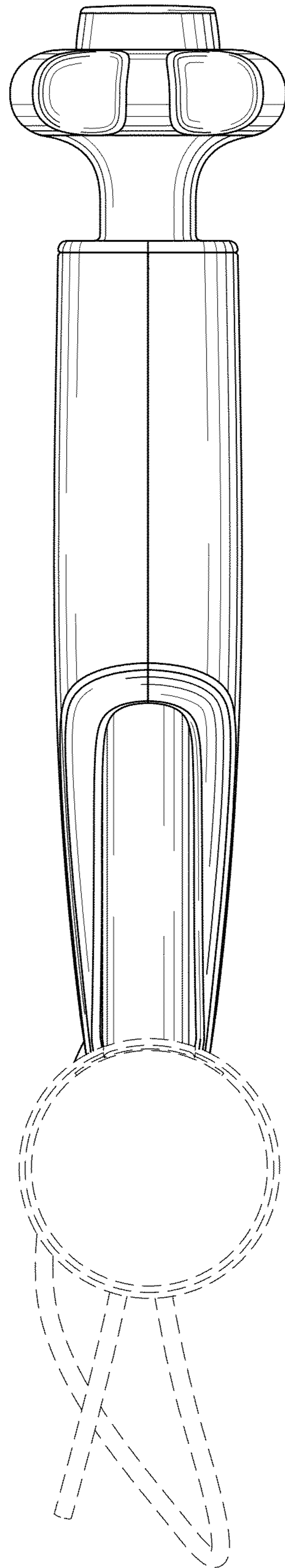


Fig. 7

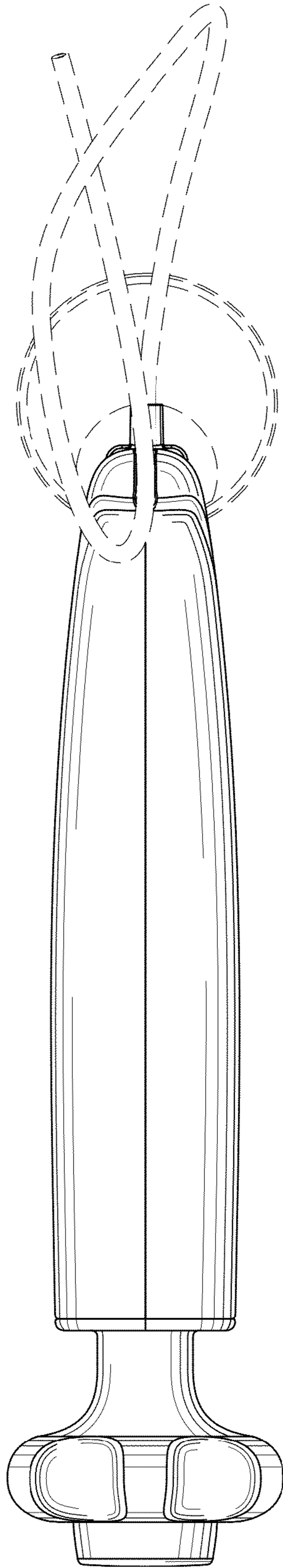


Fig. 8