



US00D716439S

(12) **United States Design Patent**
Taylor et al.

(10) **Patent No.:** **US D716,439 S**
(45) **Date of Patent:** **** Oct. 28, 2014**

(54) **CONNECTOR FOR VENTILATOR**

(75) Inventors: **Kenneth Taylor**, Pitt Town (AU);
Benjamin John Leavens, Woollahra
(AU); **Jonathan Huw Thomas**, Lilyfield
(AU)

(73) Assignee: **ResMed Paris SAS**, Moissy Cramayel
(FR)

(**) Term: **14 Years**

(21) Appl. No.: **29/423,253**

(22) Filed: **May 30, 2012**

(51) **LOC (10) Cl.** **29-02**

(52) **U.S. Cl.**
USPC **D24/110**

(58) **Field of Classification Search**
CPC A61M 39/00; A61M 16/1015; A62B 9/02
USPC D24/110; 128/200.24, 202.27, 203.12,
128/204.18, 204.21, 204.23, 205.24,
128/207.14, 207.16, 912; 604/533, 534
See application file for complete search history.

(56) **References Cited**

U.S. PATENT DOCUMENTS

4,557,261	A *	12/1985	Rügheimer	604/533
6,014,972	A *	1/2000	Sladek	128/203.12
6,102,038	A *	8/2000	DeVries	128/205.24
6,209,539	B1 *	4/2001	Loescher et al.	128/204.18
6,394,092	B1 *	5/2002	Barrett et al.	128/207.17
6,579,254	B1 *	6/2003	McNary et al.	604/27
7,082,944	B2 *	8/2006	Gossweiler	128/205.24
2005/0139211	A1 *	6/2005	Alston et al.	128/200.14
2010/0139653	A1 *	6/2010	Schloss	128/203.12

* cited by examiner

Primary Examiner — Ian Simmons

Assistant Examiner — Richelle G Shelton

(74) *Attorney, Agent, or Firm* — Nixon & Vanderhye, P.C.

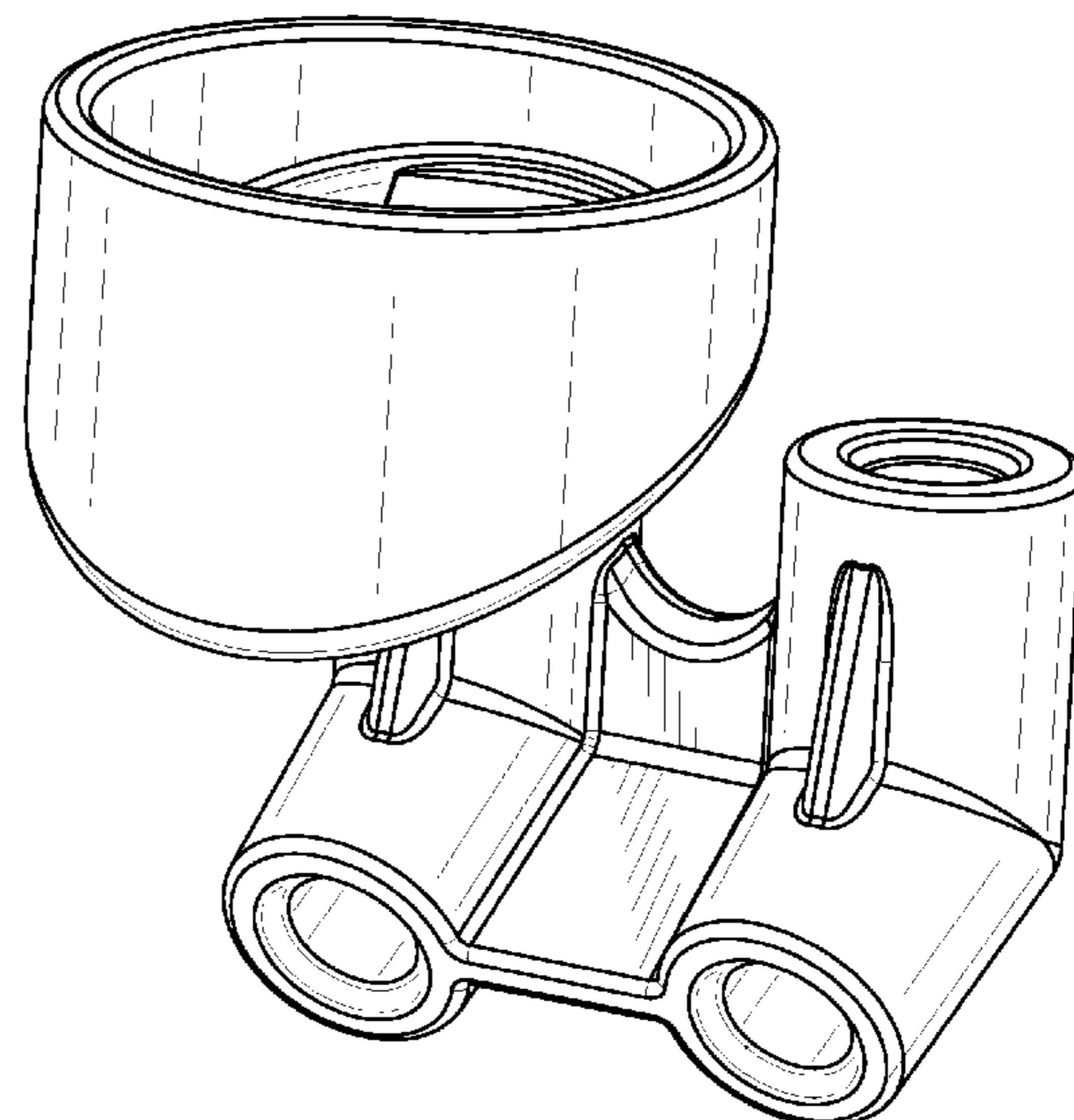
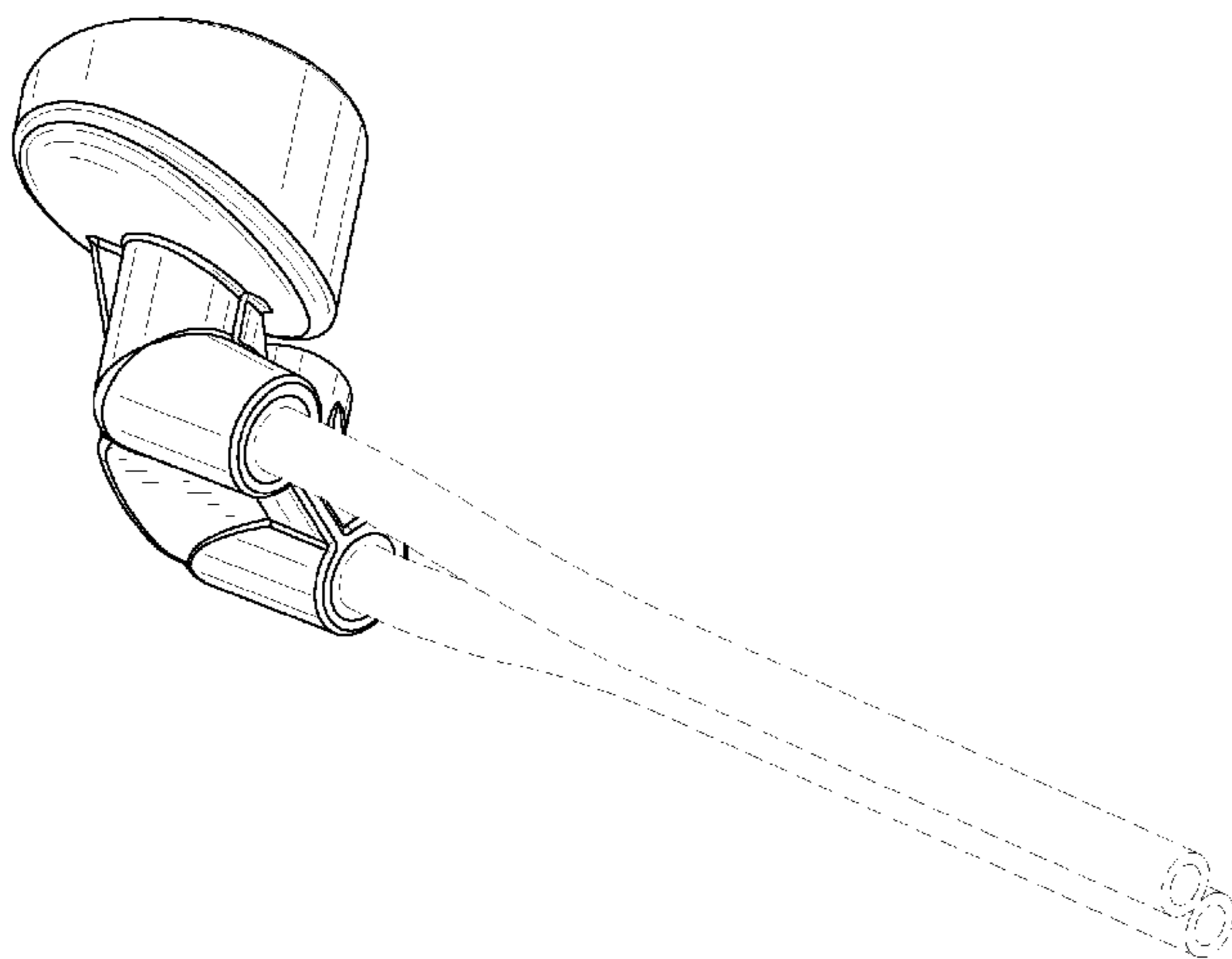
(57) **CLAIM**

The ornamental design for a connector for ventilator, as shown and described.

DESCRIPTION

FIG. 1 is a front perspective view of a connector for ventilator showing a first embodiment of our new ornamental design; FIG. 2 is a front view thereof; FIG. 3 is a rear view thereof; FIG. 4 is a top view thereof; FIG. 5 is a bottom view thereof; FIG. 6 is a right side view thereof; FIG. 7 is a left side view thereof; FIG. 8 is a front perspective view of a connector for ventilator showing a second embodiment of our new ornamental design; FIG. 9 is a front view thereof; FIG. 10 is a rear view thereof; FIG. 11 is a top view thereof; FIG. 12 is a bottom view thereof; FIG. 13 is a right side view thereof; FIG. 14 is a left side view thereof; FIG. 15 is another front perspective view; FIG. 16 is yet another front perspective view; FIG. 17 is a rear perspective view; FIG. 18 is yet another rear perspective view; FIG. 19 is another front perspective view thereof; and, FIG. 20 is a still another front perspective view thereof. The broken line showing immediately adjacent the shaded areas is included for the purpose of illustrating portions of the article excluded from the claim with the lines themselves and the areas within forming no part of the claimed design.

1 Claim, 11 Drawing Sheets



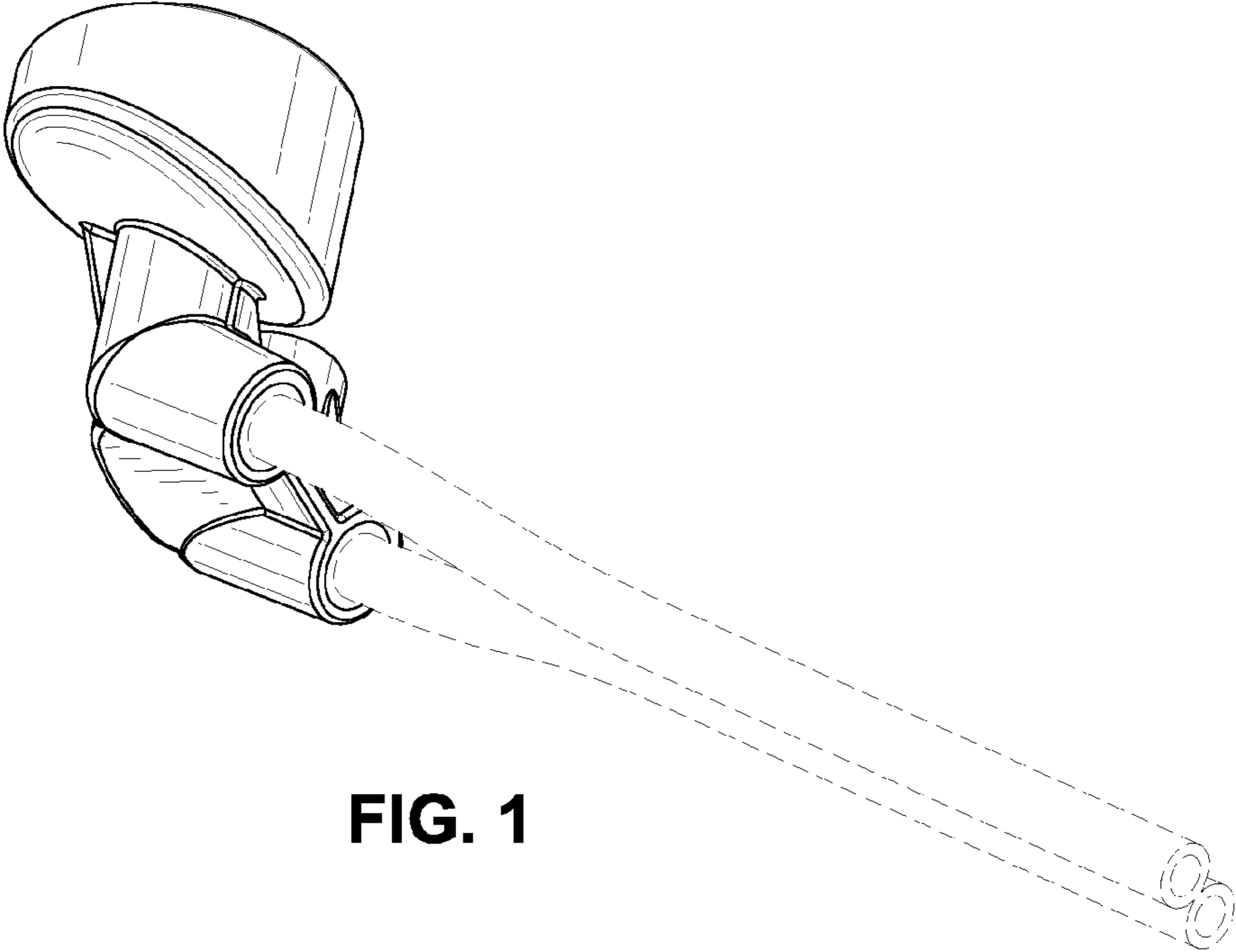


FIG. 1

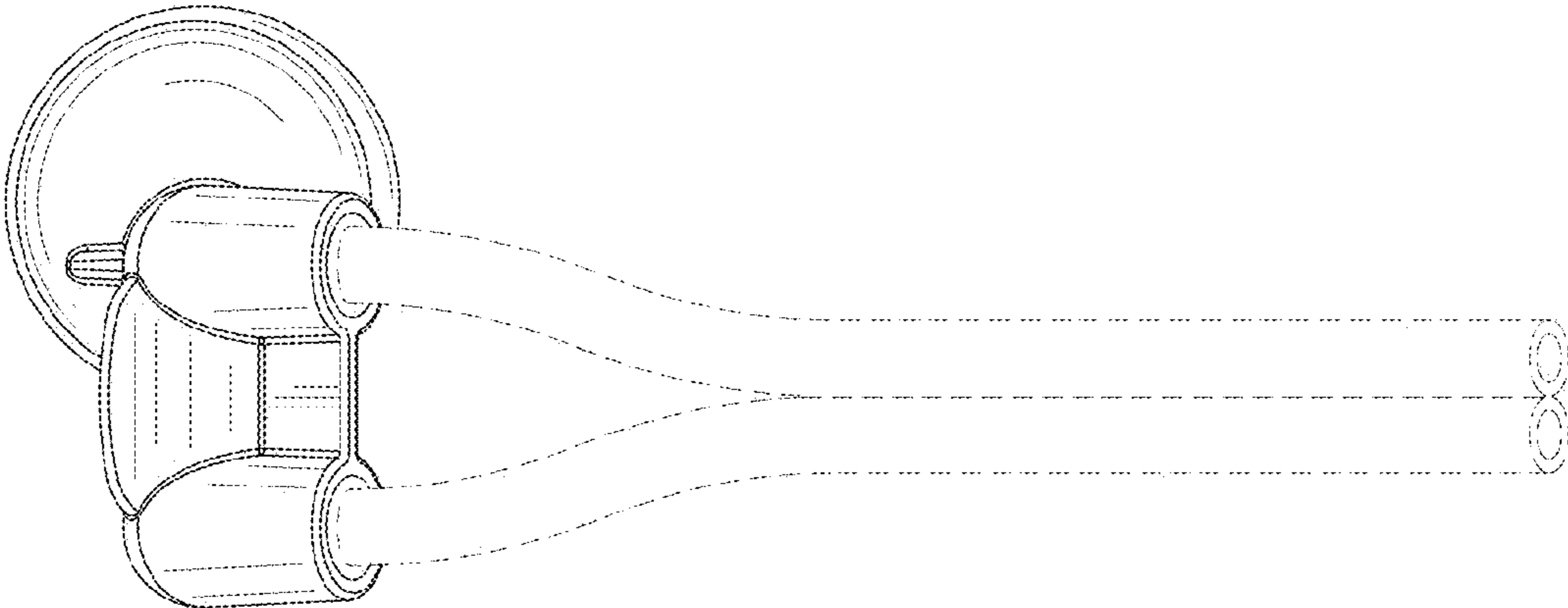


FIG. 2

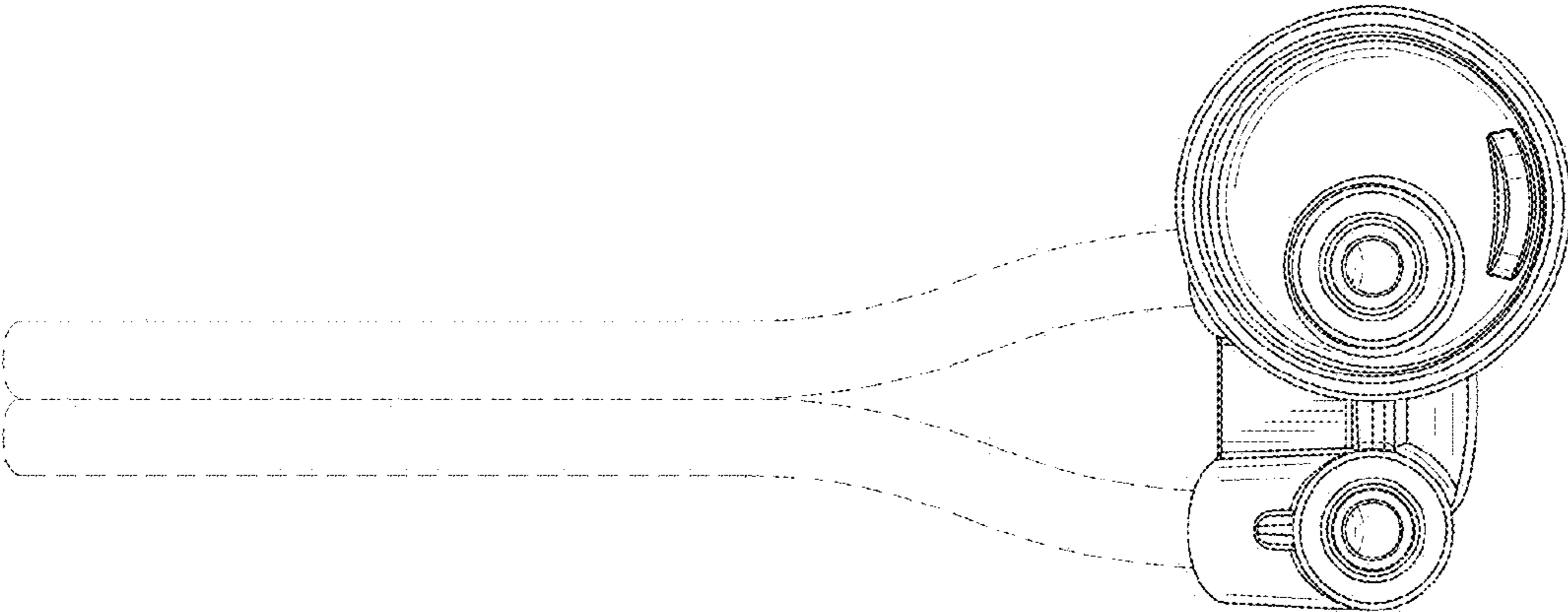


FIG. 3

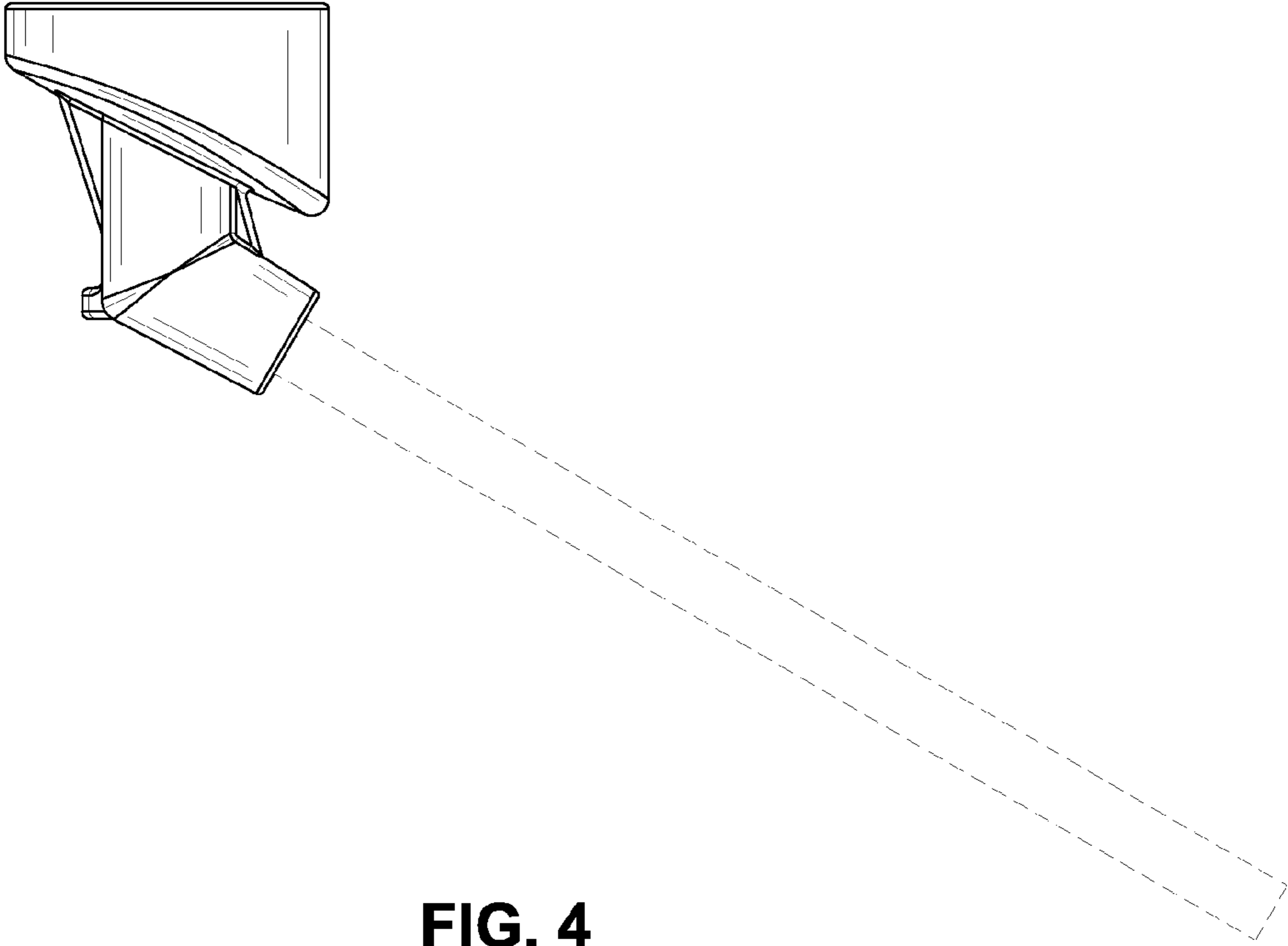


FIG. 4

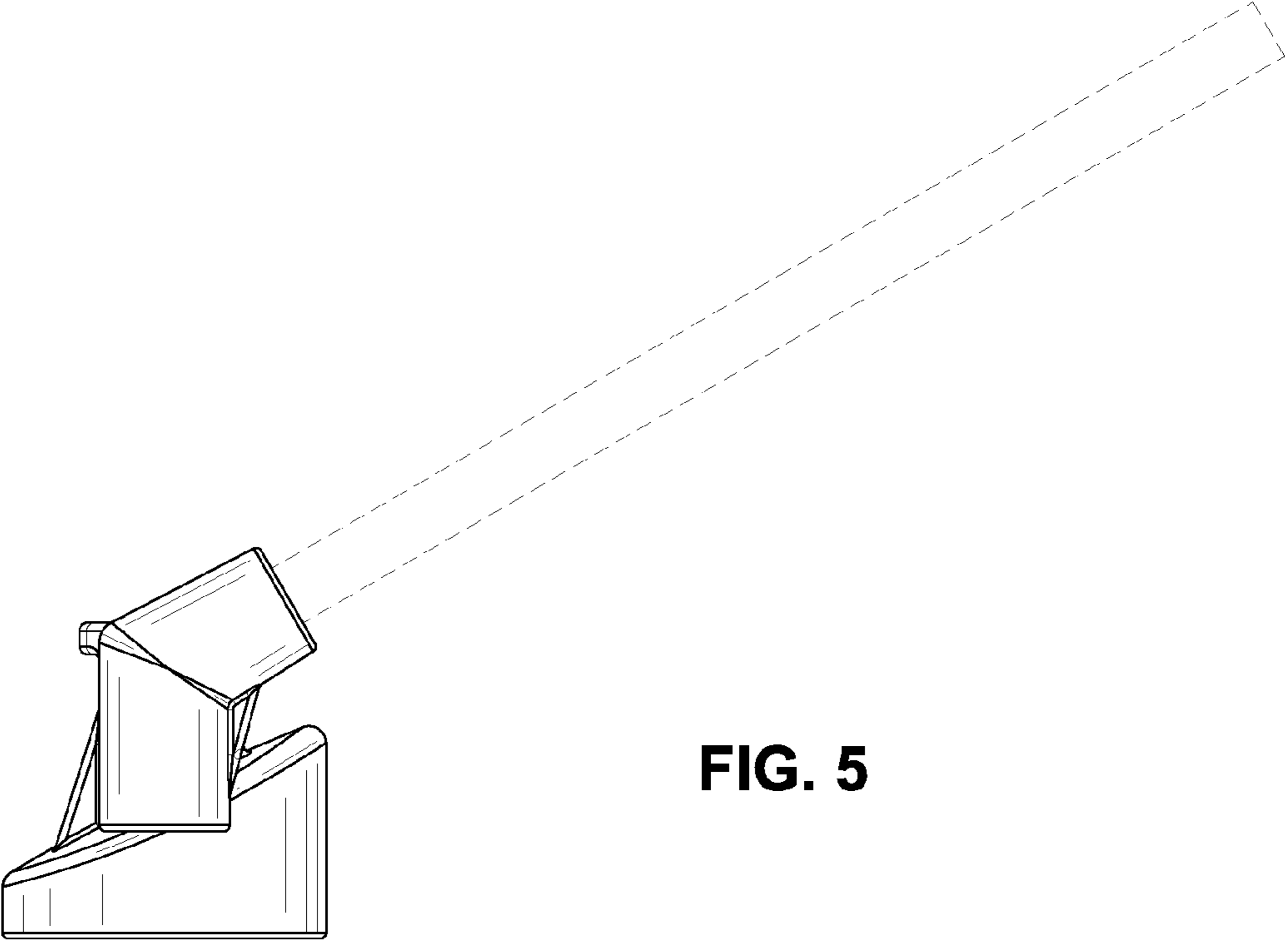


FIG. 5

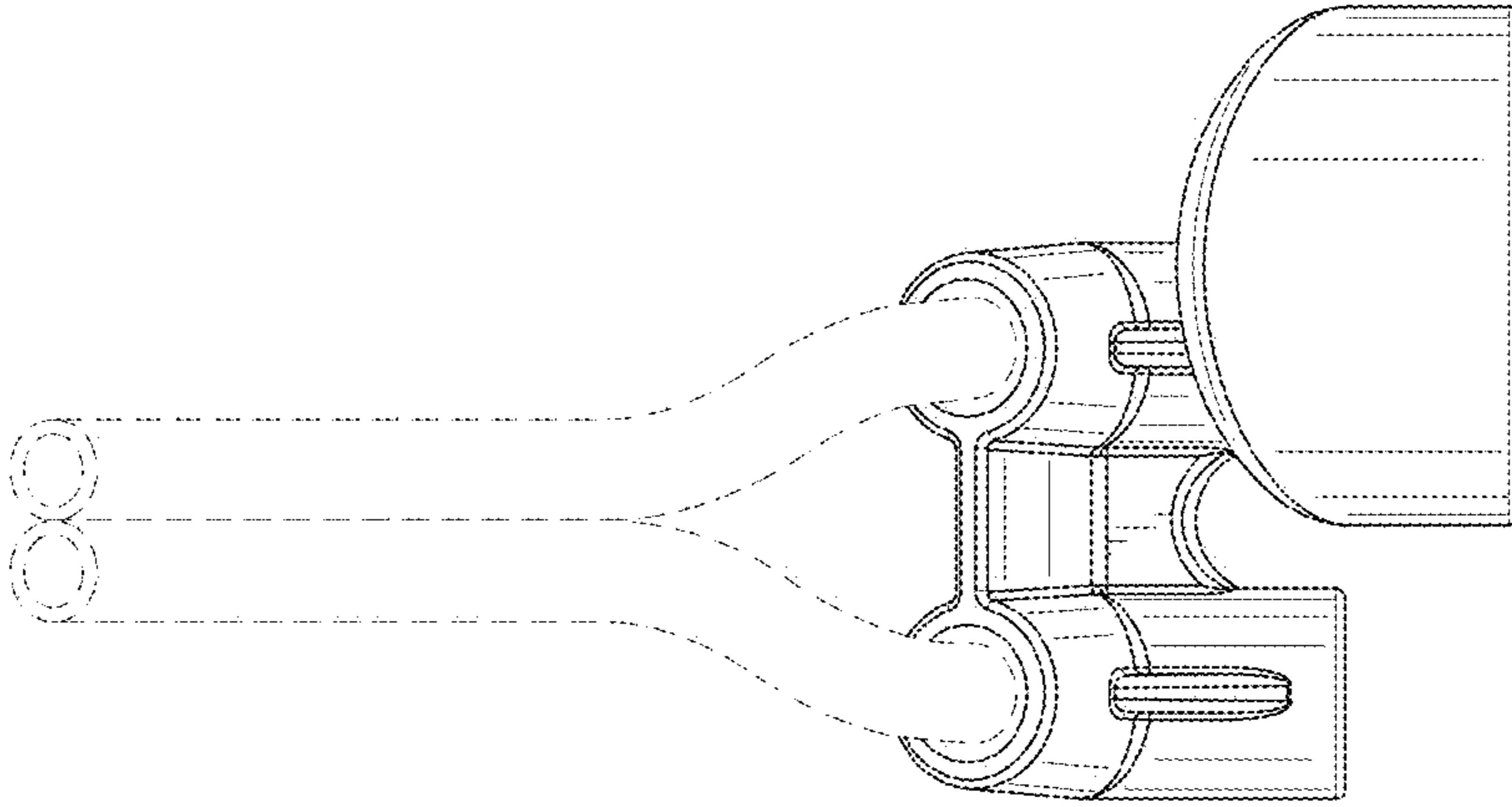


FIG. 6

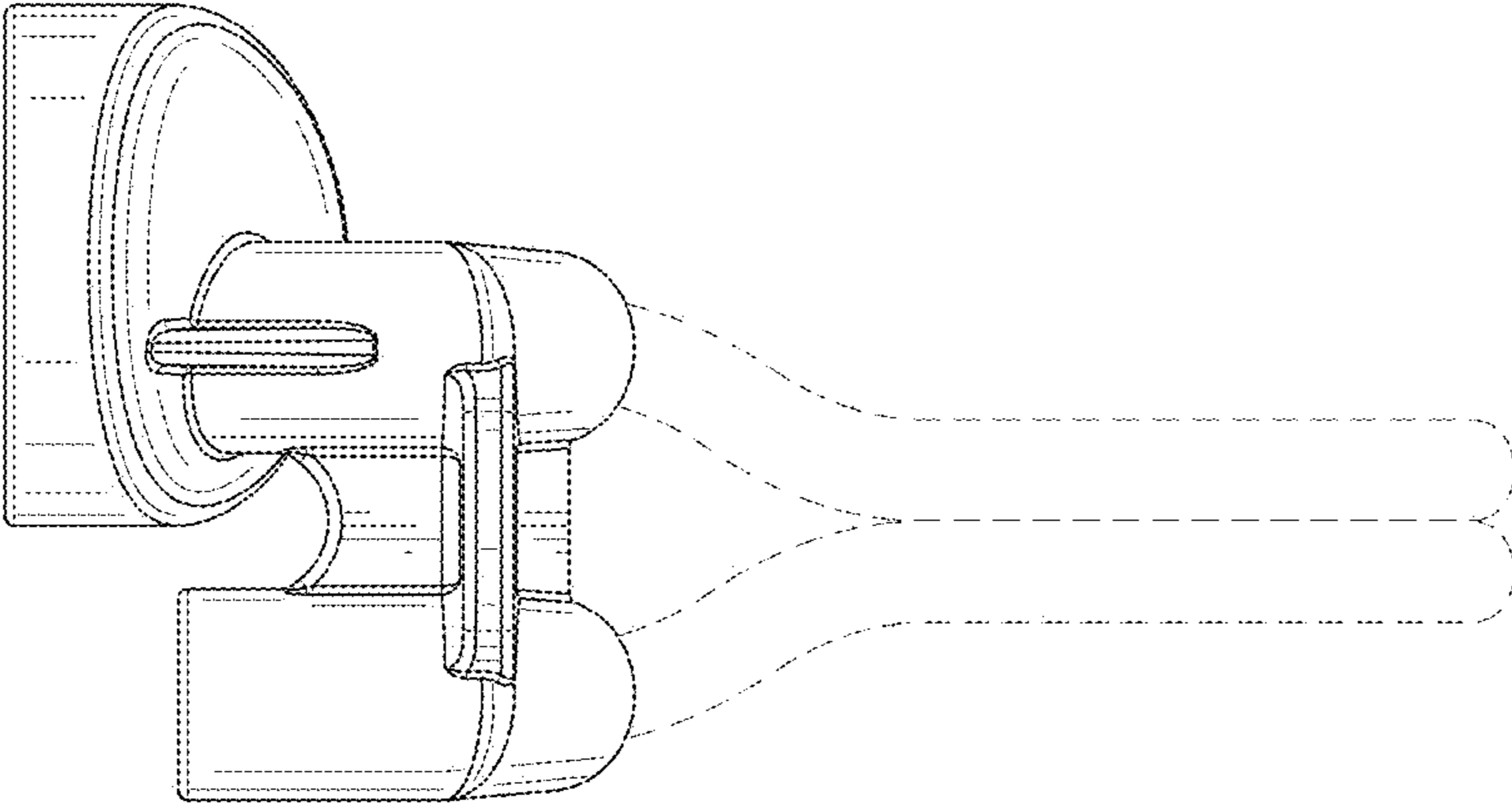


FIG. 7

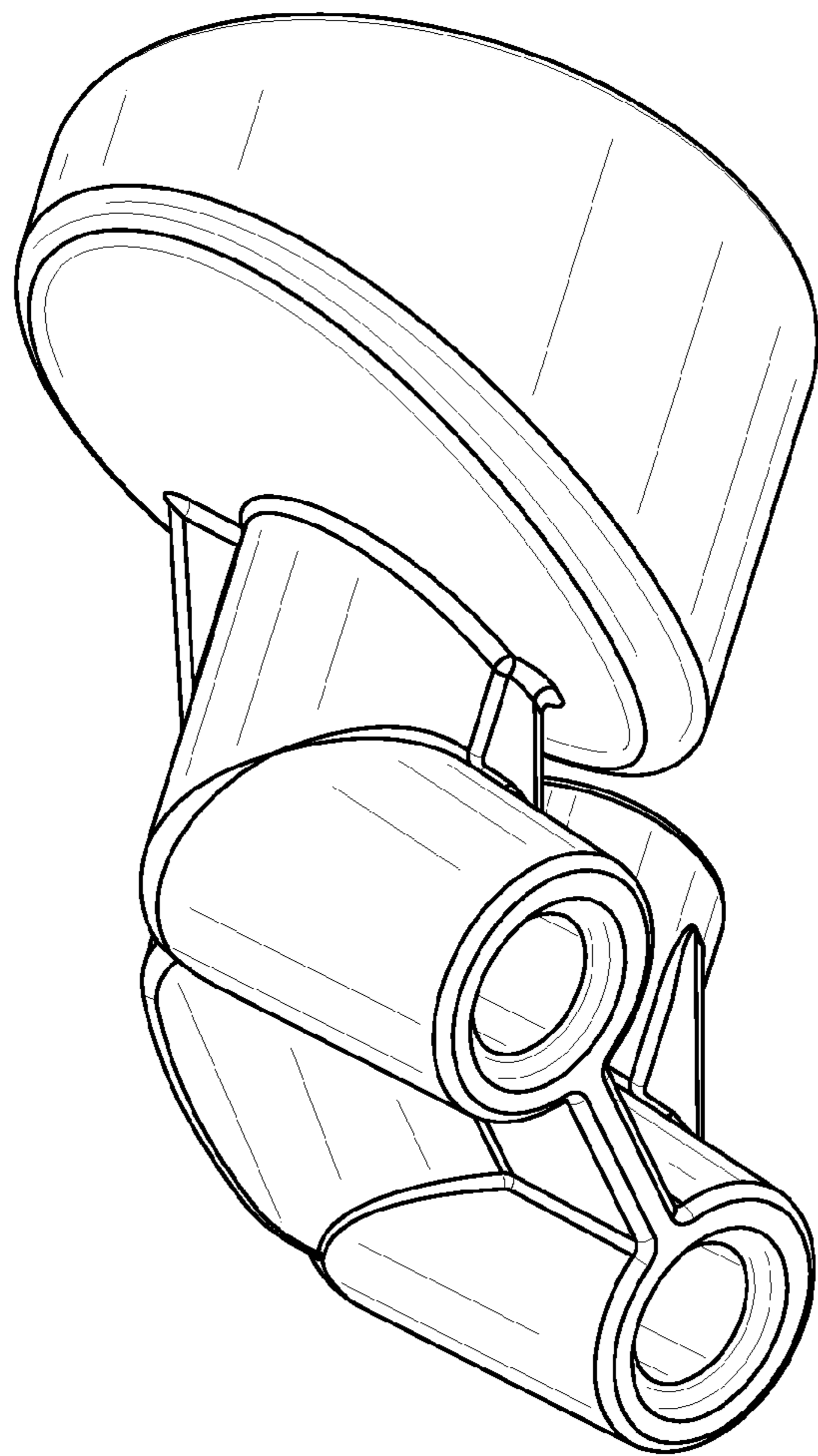


FIG. 8

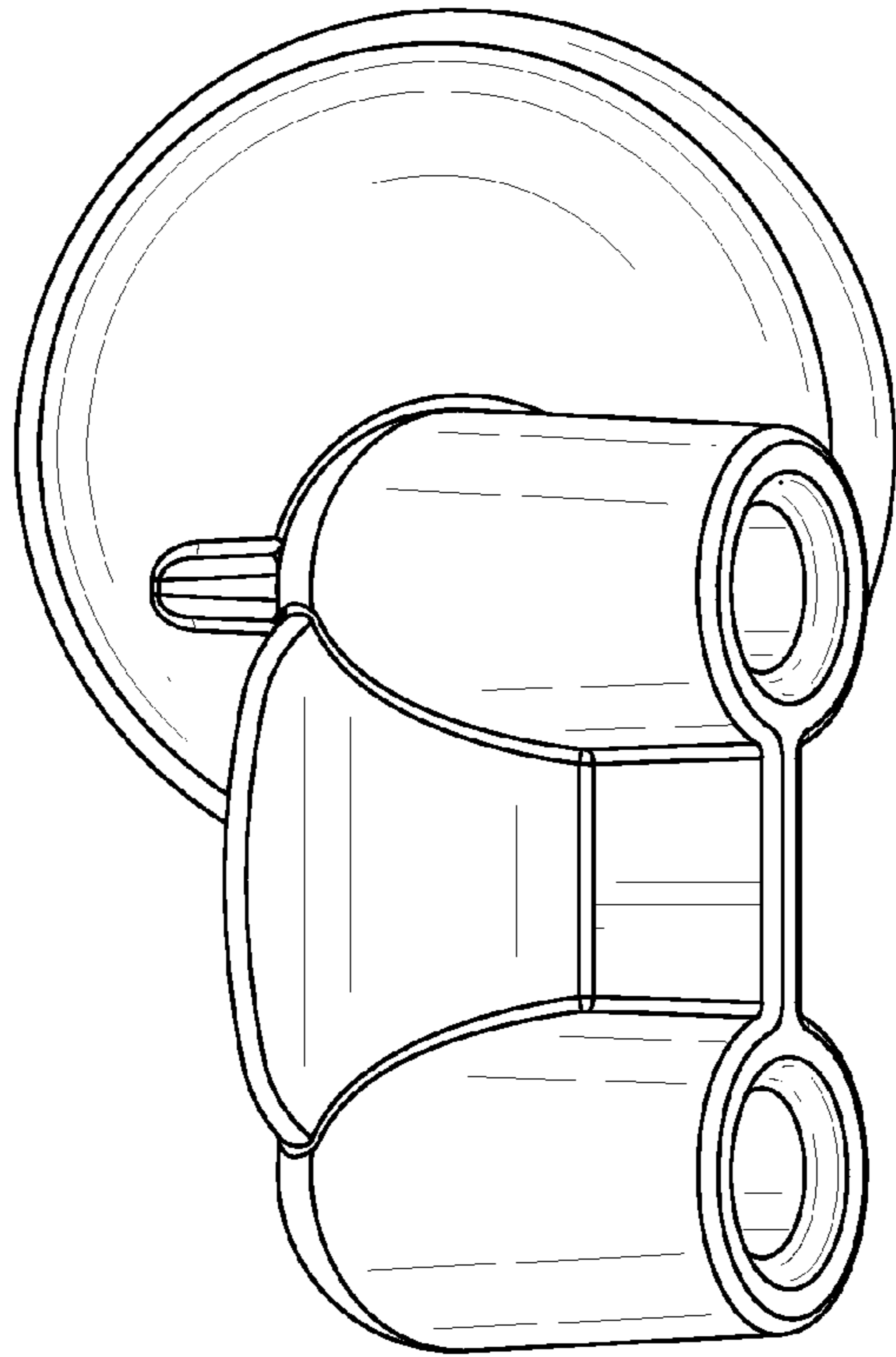


FIG. 9

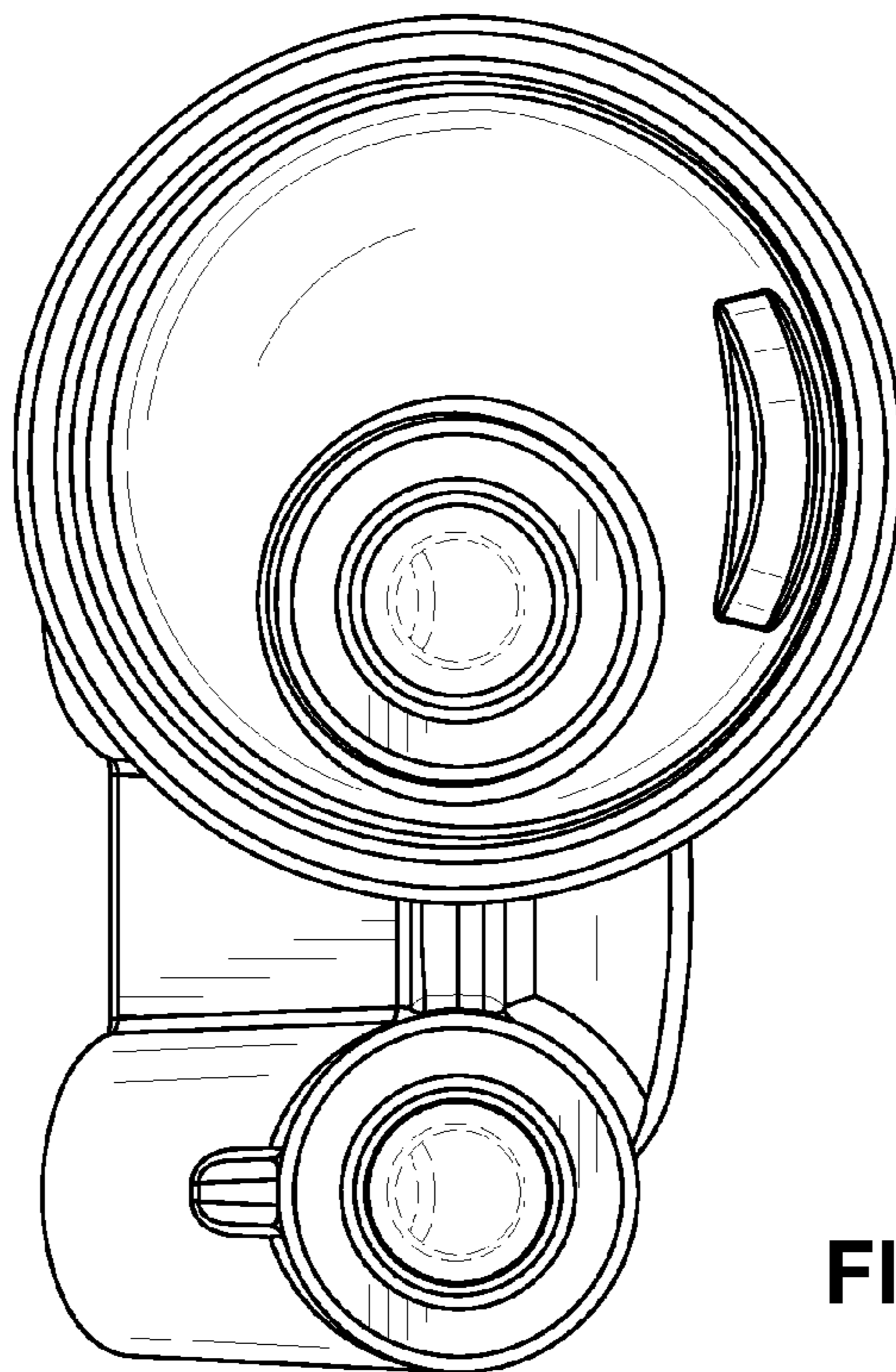


FIG. 10

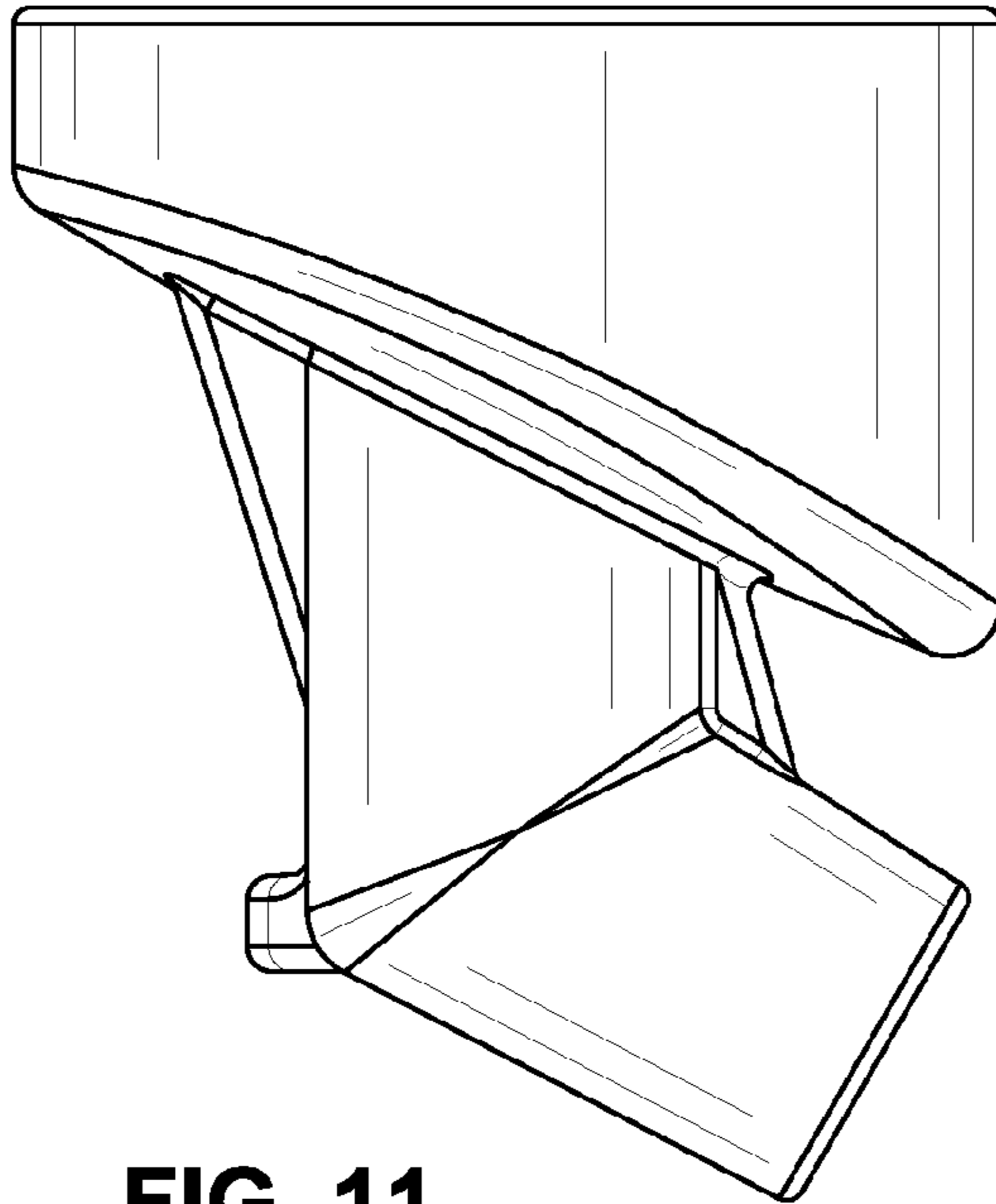


FIG. 11

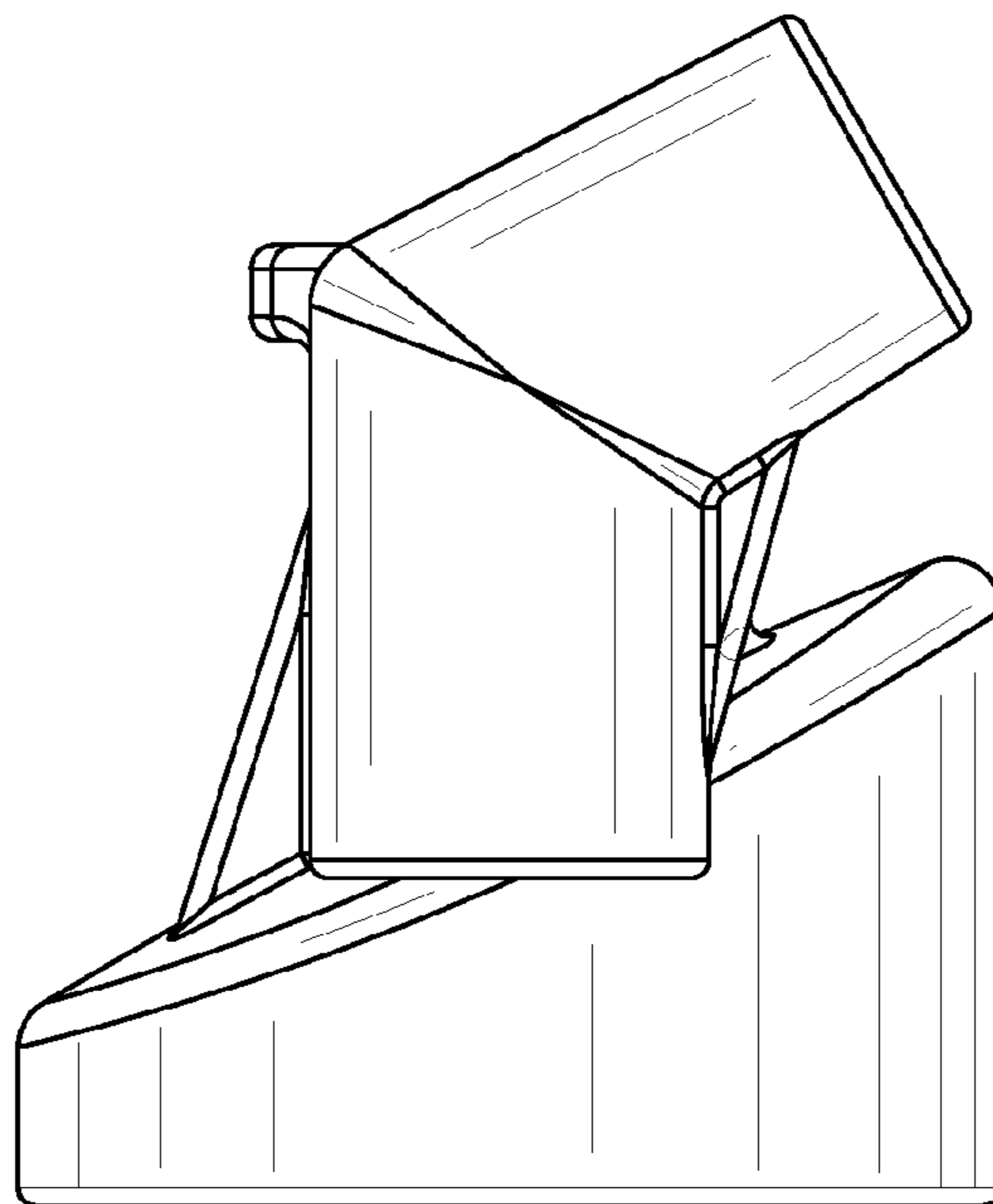


FIG. 12

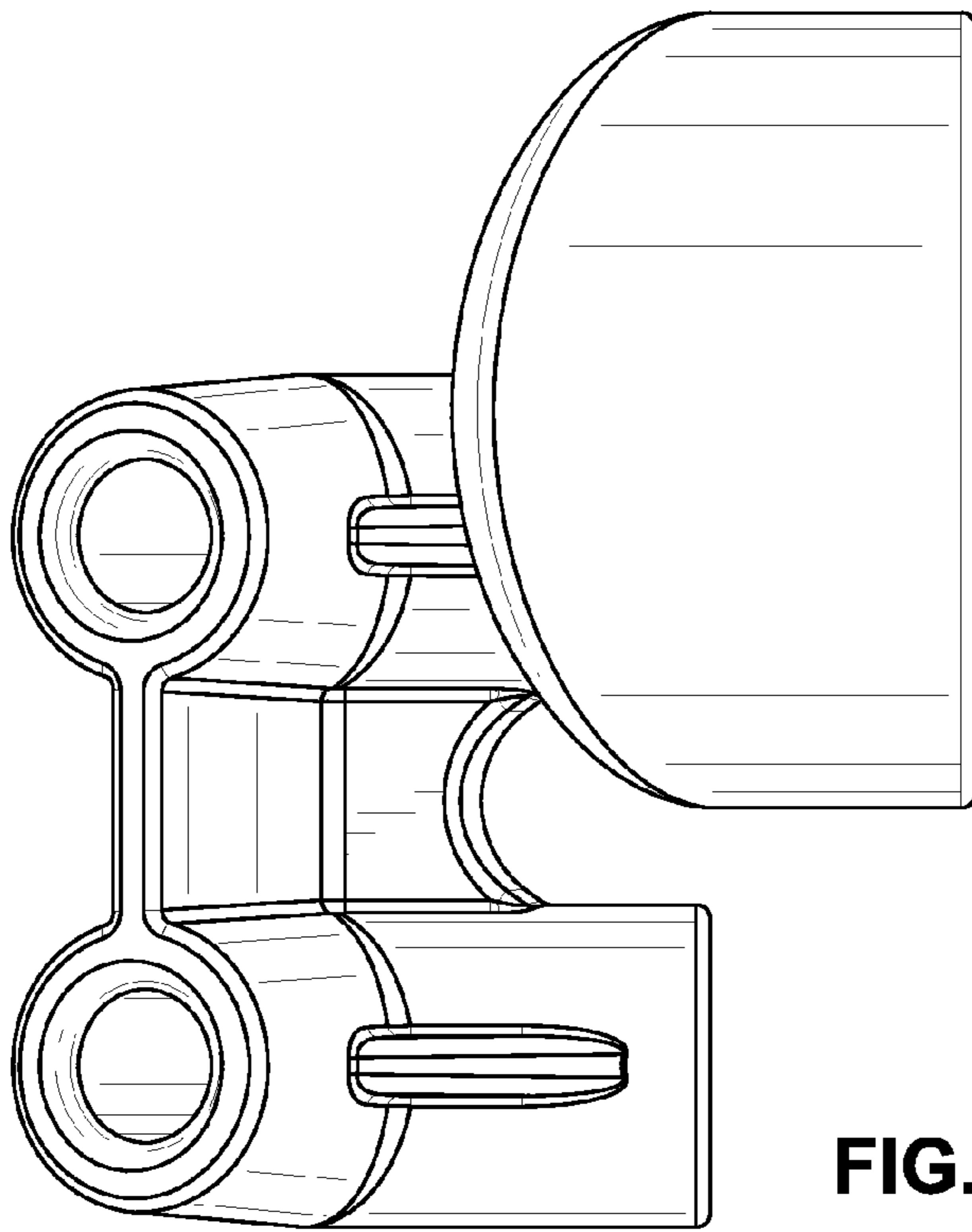


FIG. 13

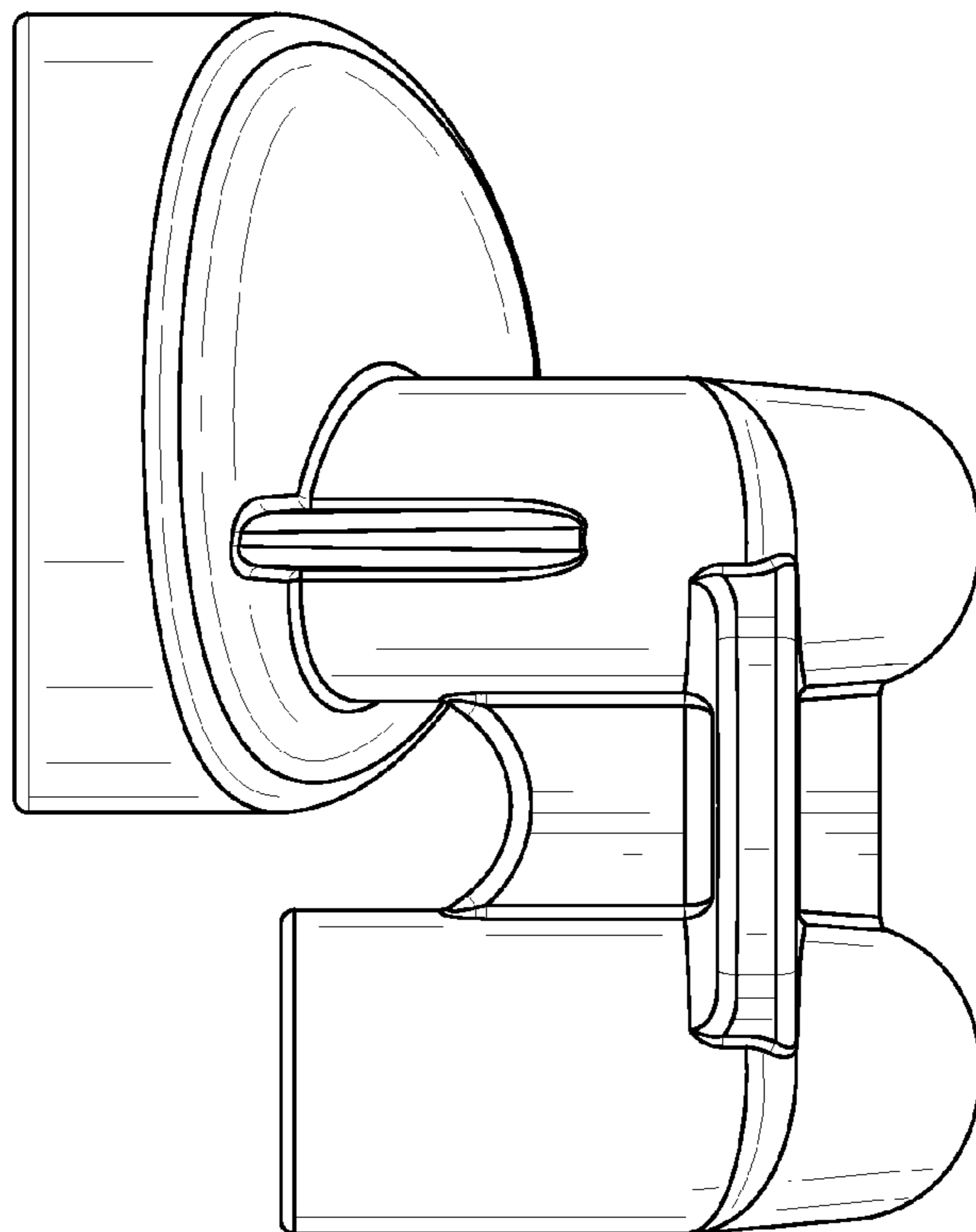


FIG. 14

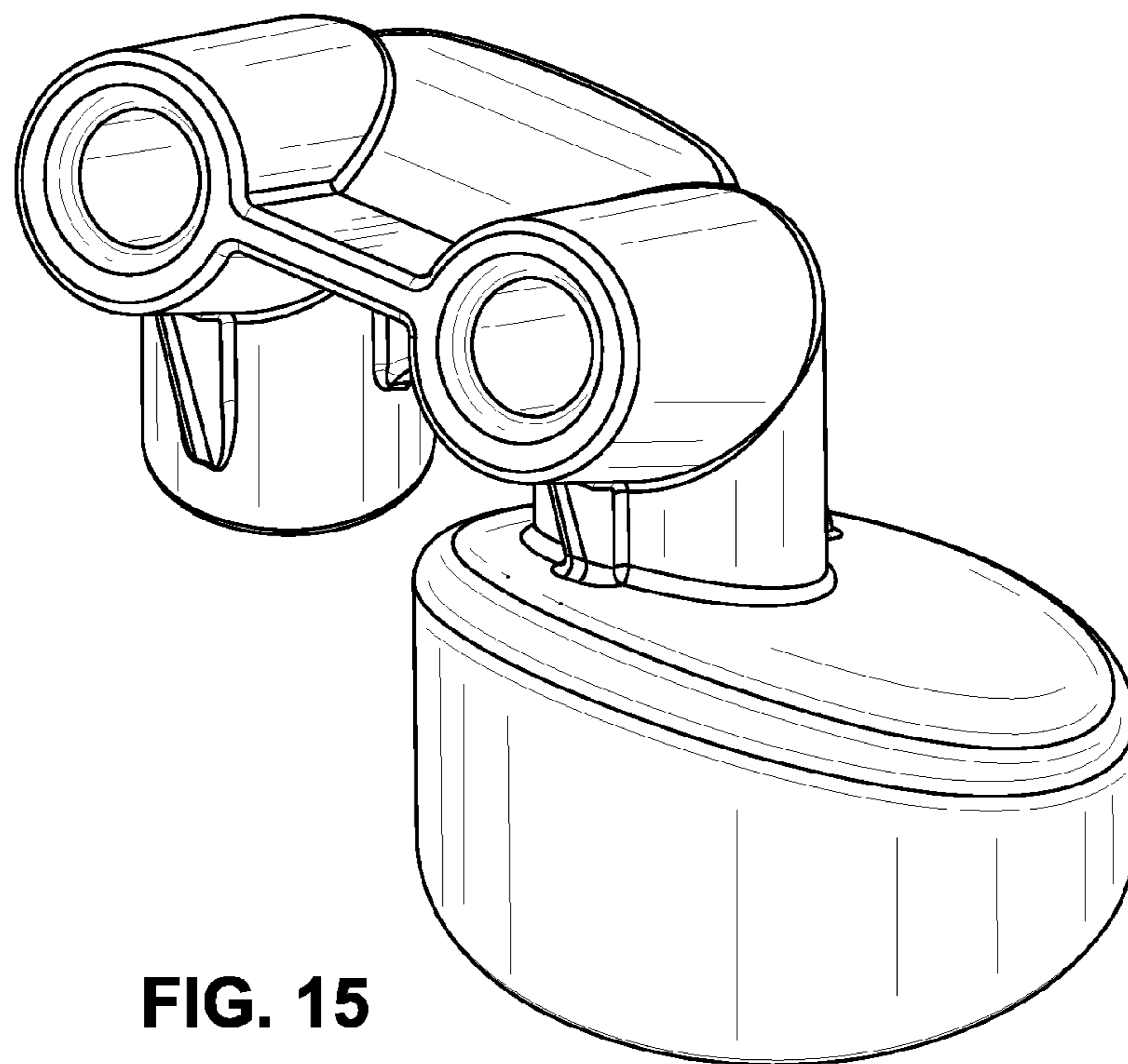


FIG. 15

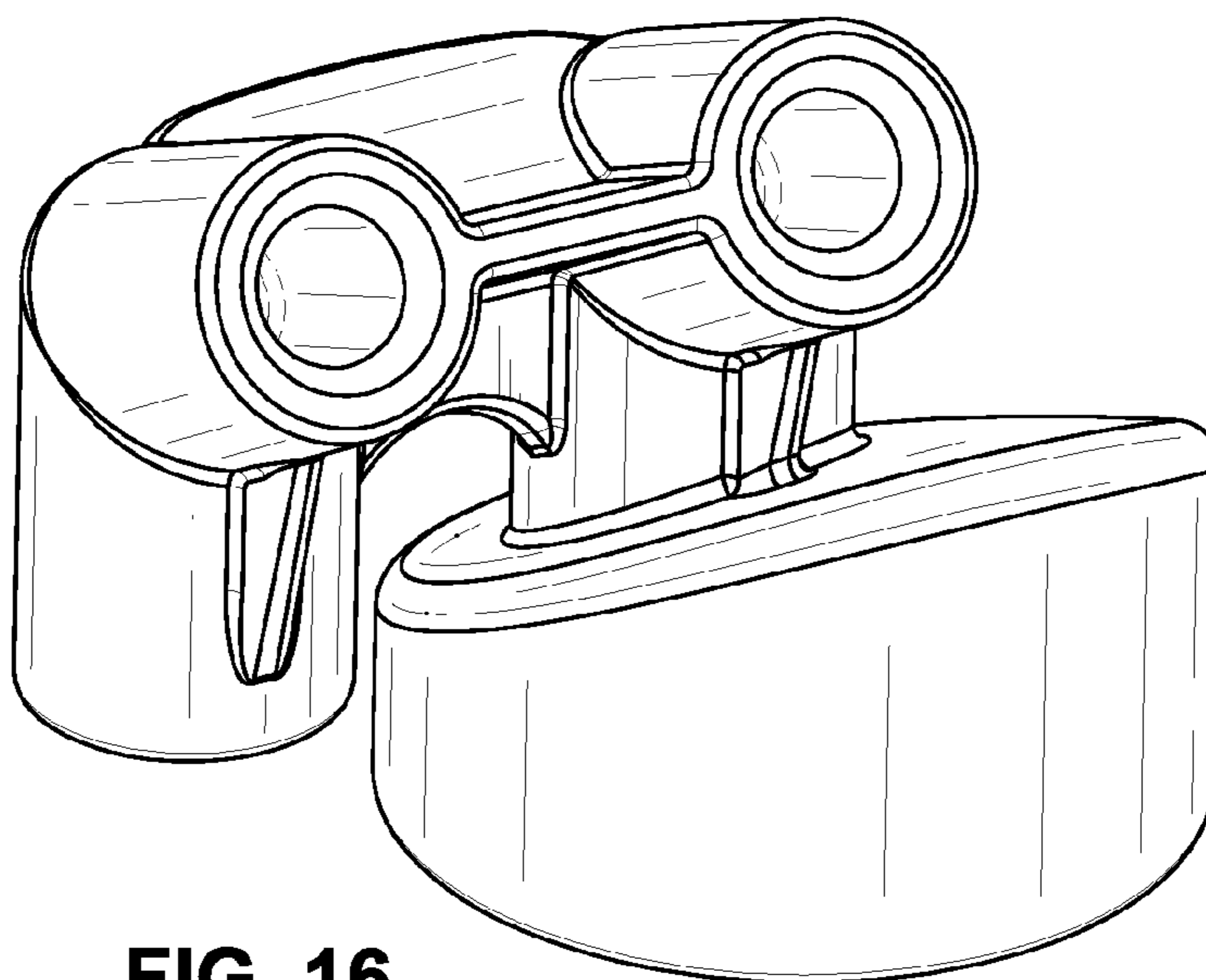


FIG. 16

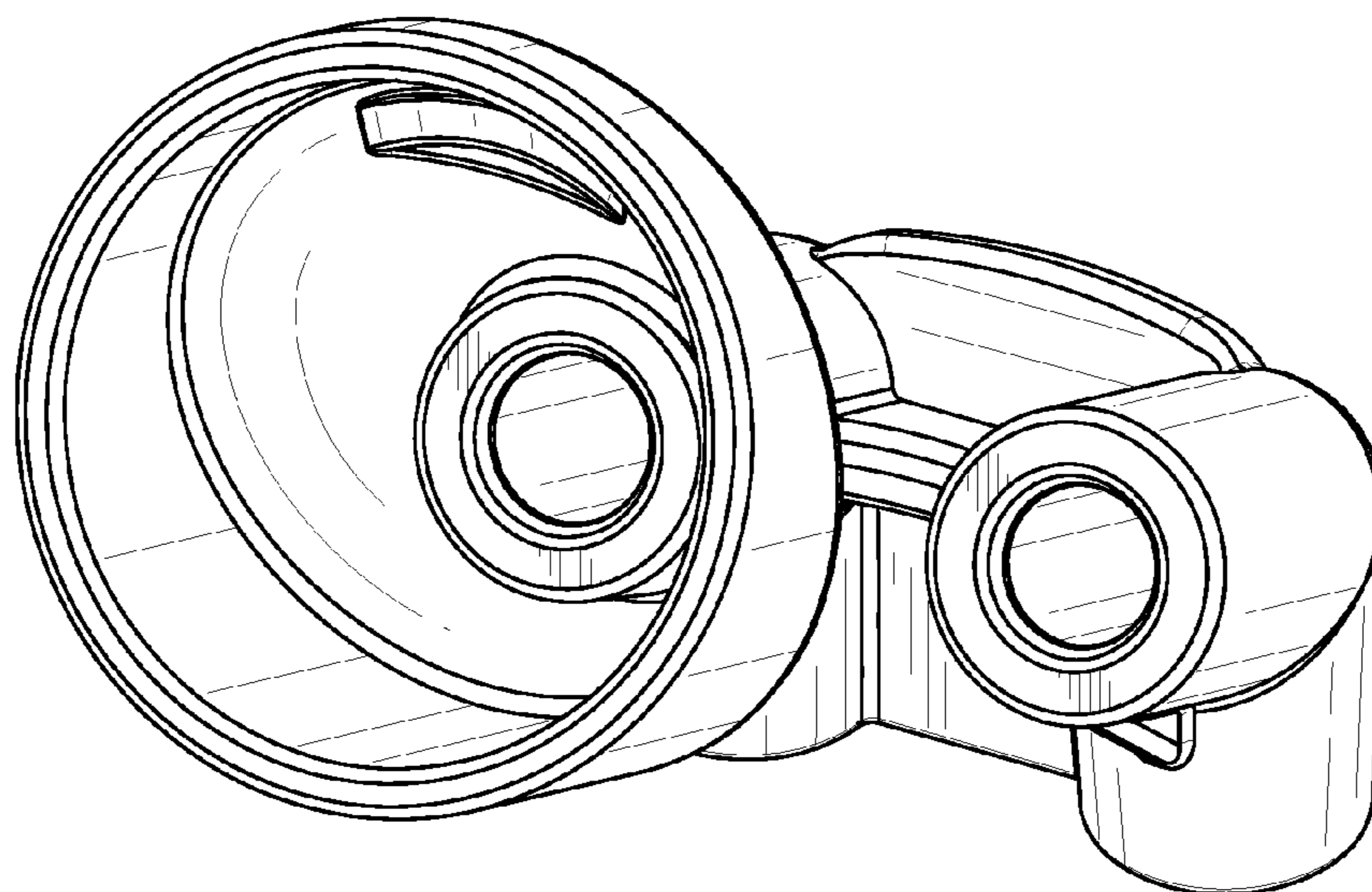


FIG. 17

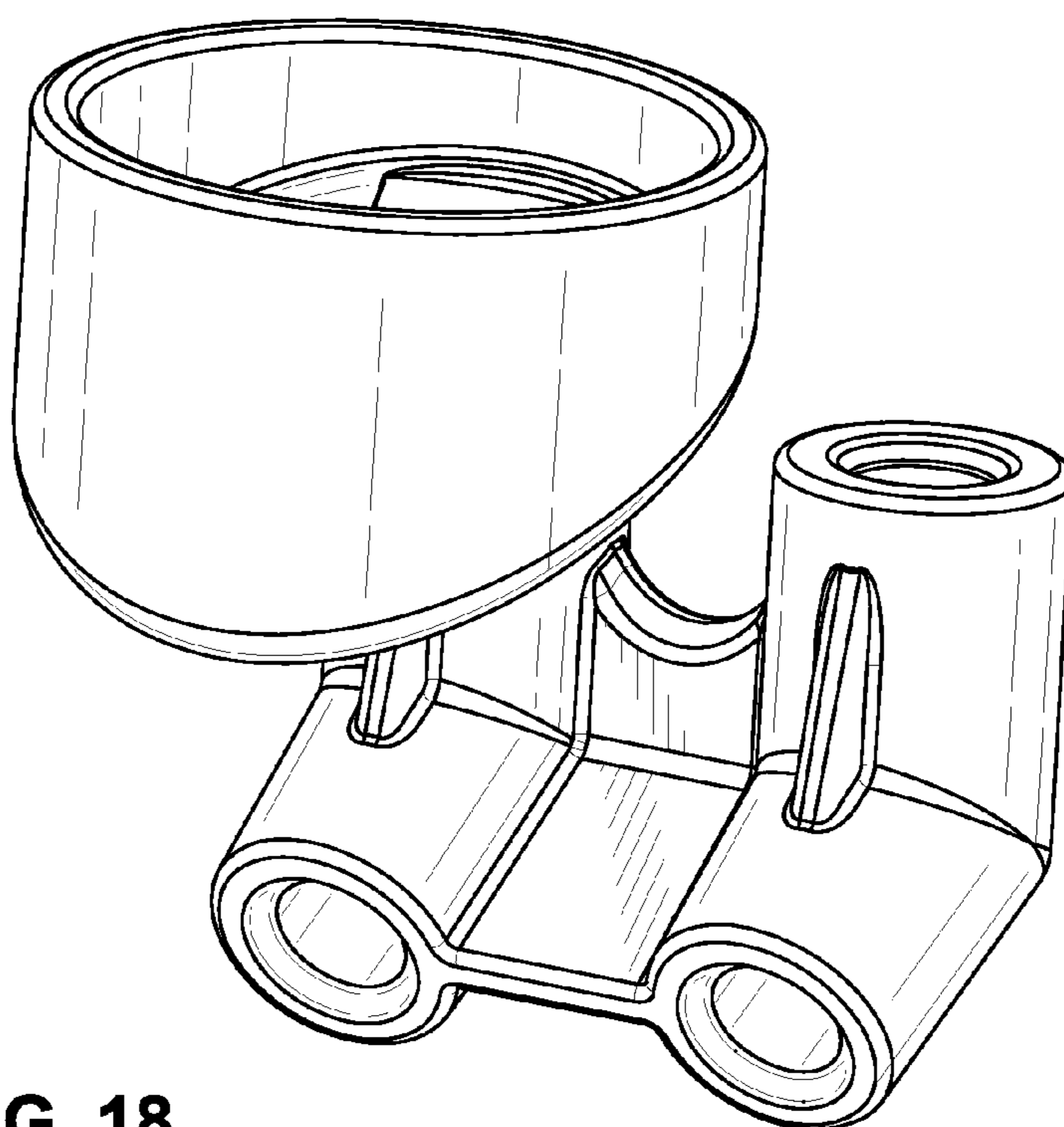


FIG. 18

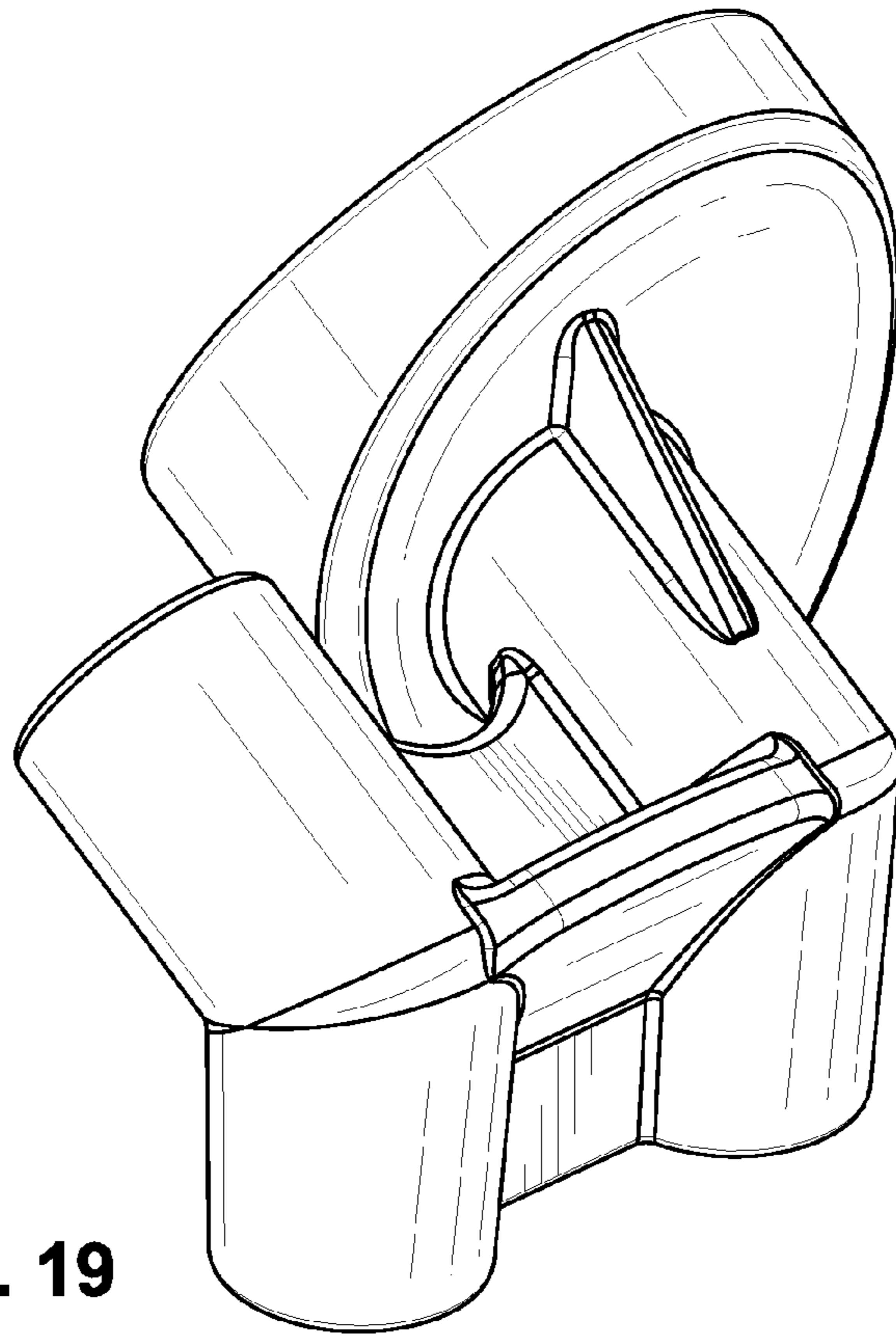


FIG. 19

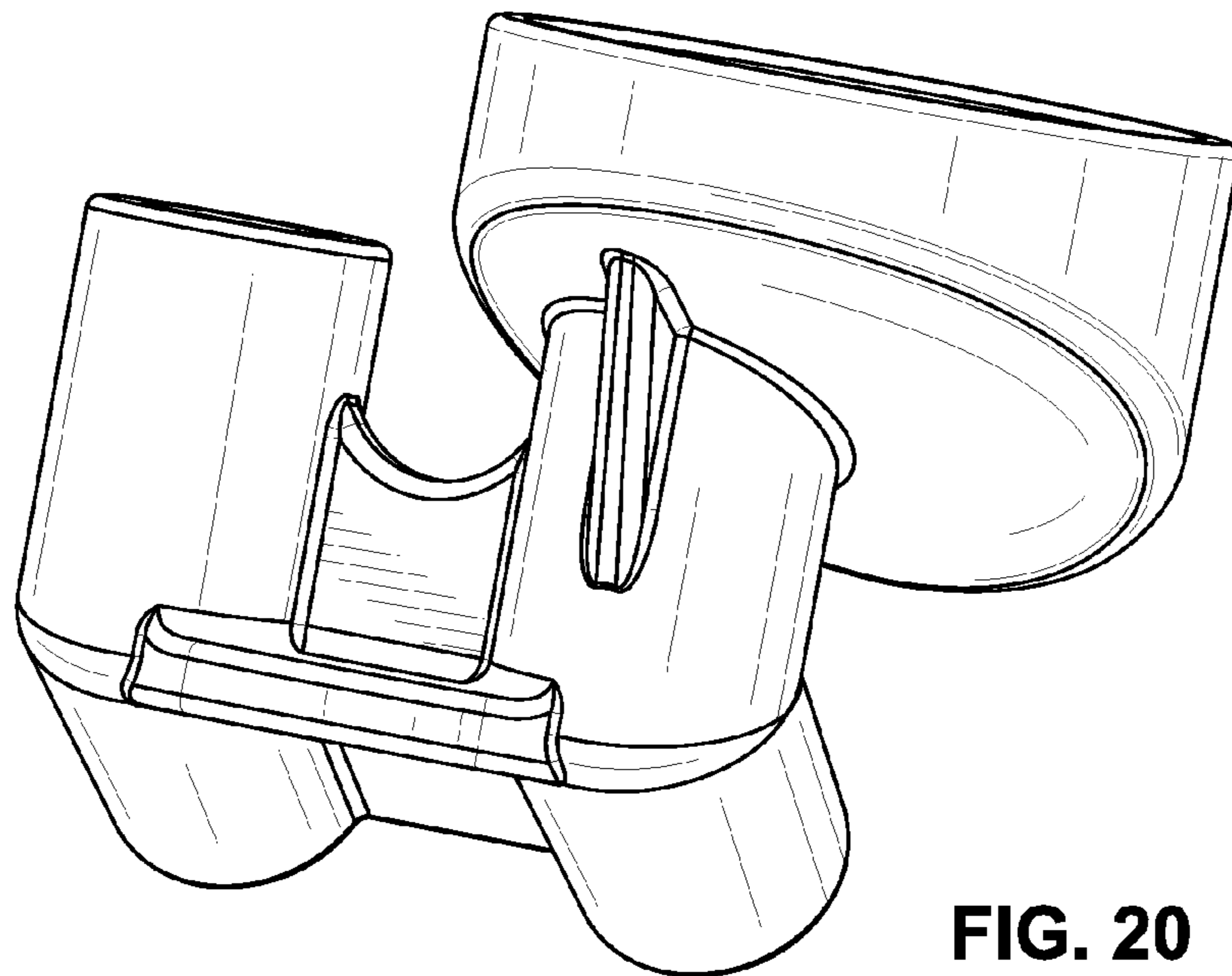


FIG. 20