



US00D716438S

(12) **United States Design Patent**
Liu

(10) **Patent No.:** **US D716,438 S**

(45) **Date of Patent:** **** Oct. 28, 2014**

(54) **CEILING FAN**

(71) Applicant: **Ching-Wen Liu**, Taichung (TW)

(72) Inventor: **Ching-Wen Liu**, Taichung (TW)

(73) Assignee: **Pan Air Electric Co., Ltd.**, Taichung (TW)

(**) Term: **14 Years**

(21) Appl. No.: **29/484,643**

(22) Filed: **Mar. 12, 2014**

(30) **Foreign Application Priority Data**

Sep. 13, 2013 (TW) 102306160

(51) **LOC (10) Cl.** **23-04**

(52) **U.S. Cl.**
USPC **D23/377**

(58) **Field of Classification Search**
USPC D23/377-385, 386-394, 411-414, 499;
416/1, 5, 170 R, 214 R, 184, 206, 207,
416/210 R, 220 R, 244 R, 248; 392/364;
D26/59, 51, 72, 73, 80-86, 88, 90
See application file for complete search history.

(56) **References Cited**

U.S. PATENT DOCUMENTS

794,010	A	*	7/1905	Hayden	416/207
4,477,228	A	*	10/1984	Duffy et al.	416/241 A
D290,748	S	*	7/1987	Kawai	D23/377
4,738,591	A	*	4/1988	Butler	416/129
D298,052	S	*	10/1988	Sonneman	D23/377
D303,425	S	*	9/1989	Sonneman	D23/385
5,067,877	A	*	11/1991	Youssef	416/220 R
5,112,193	A	*	5/1992	Greer et al.	416/220 R
5,135,365	A	*	8/1992	Bogage	417/423.15

D331,101	S	*	11/1992	Rezek	D23/377
D345,790	S	*	4/1994	Caldwell	D23/377
D427,672	S	*	7/2000	Lee	D23/377
D458,673	S	*	6/2002	Melwani	D23/379
D476,406	S	*	6/2003	Friedes	D23/377
D478,161	S	*	8/2003	Collmar	D23/377
D478,162	S	*	8/2003	Collmar	D23/377
D521,142	S	*	5/2006	Gerhardt et al.	D23/377
D535,011	S	*	1/2007	Gajewski	D23/377
D536,083	S	*	1/2007	Gajewski	D23/377
D539,972	S	*	4/2007	Layne	D26/128
7,481,626	B2	*	1/2009	Gajewski	416/220 A
D598,090	S	*	8/2009	Pittman et al.	D23/377
D605,751	S	*	12/2009	Yang	D23/377
D630,312	S	*	1/2011	Spaulding	D23/377
D632,381	S	*	2/2011	Davenport et al.	D23/377
D670,802	S	*	11/2012	Wang	D23/413
D671,203	S	*	11/2012	Wang	D23/377
D675,720	S	*	2/2013	Martin Conillas	D23/377
D678,499	S	*	3/2013	Pan	D23/411
D706,410	S	*	6/2014	Pan	D23/411
2007/0104583	A1	*	5/2007	Gajewski	416/210 R

* cited by examiner

Primary Examiner — Susan Bennett Hattan

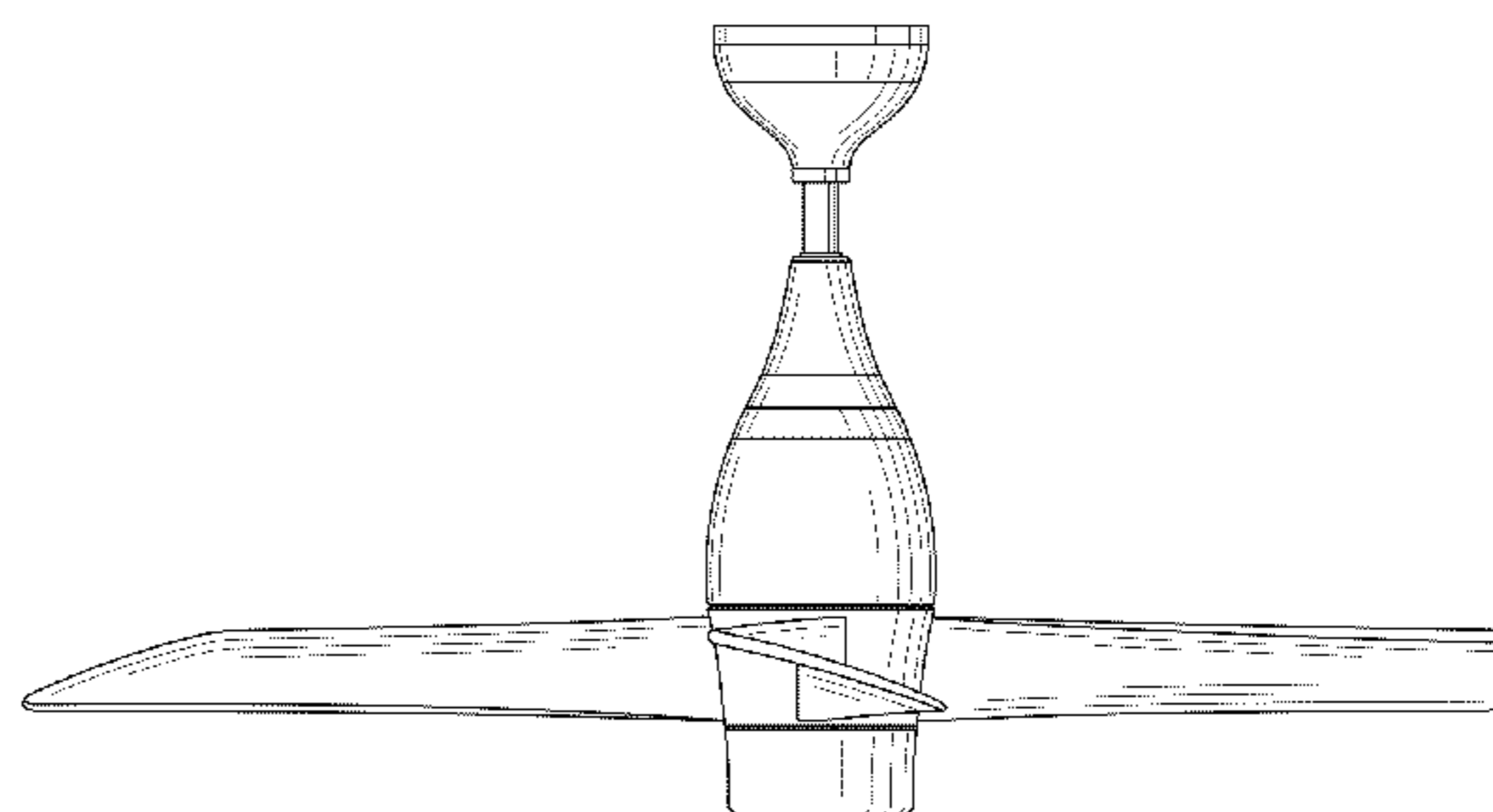
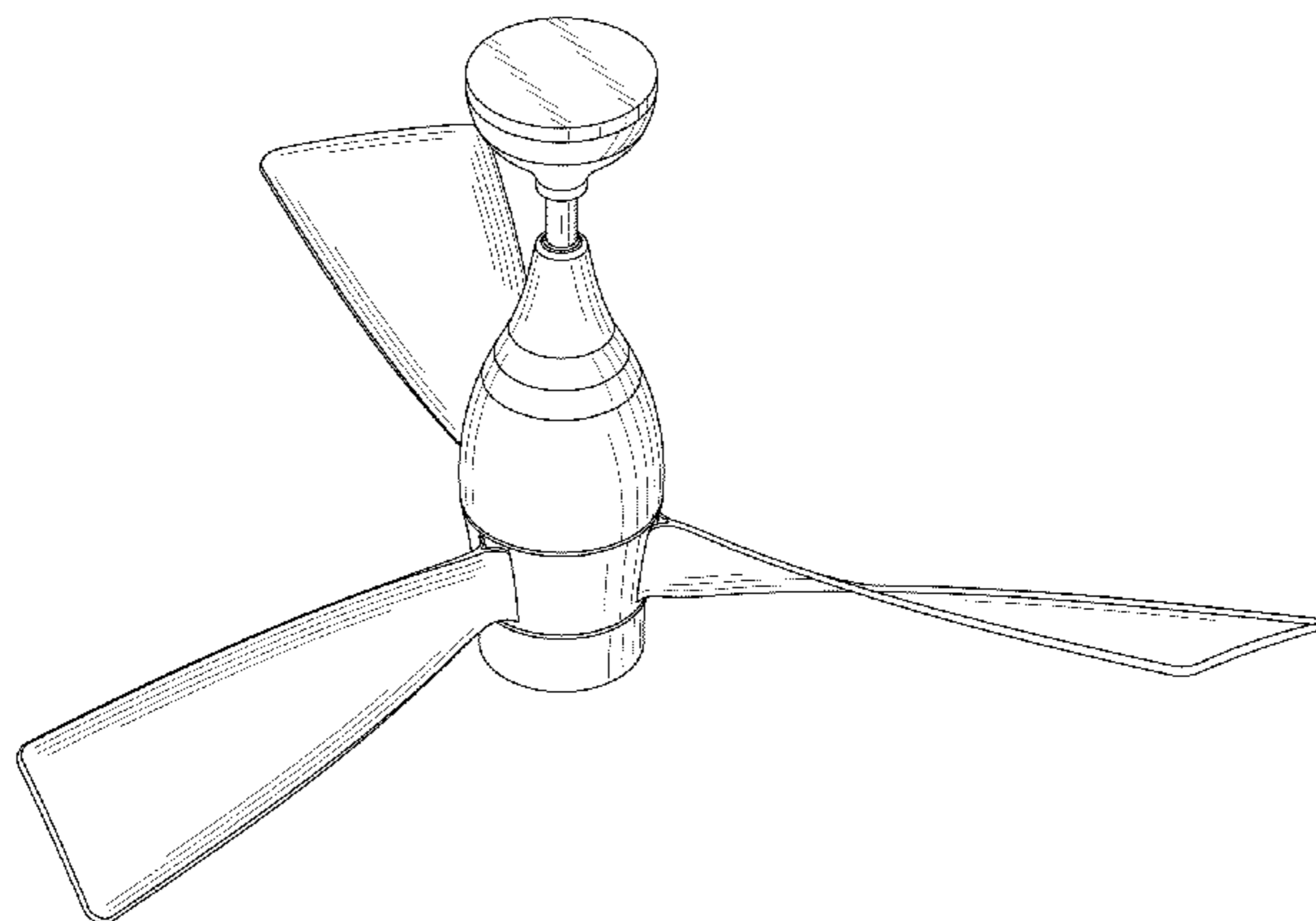
Assistant Examiner — Marie Fast Horse

(57) **CLAIM**
The ornamental design for a ceiling fan, as shown.

DESCRIPTION

FIG. 1 is a perspective view of a ceiling fan showing my new design;
FIG. 2 is a front elevational view thereof;
FIG. 3 is a rear elevational view thereof;
FIG. 4 is a left side view thereof;
FIG. 5 is a right side view thereof;
FIG. 6 is a top plain view thereof; and,
FIG. 7 is a bottom plain view thereof.

1 Claim, 7 Drawing Sheets



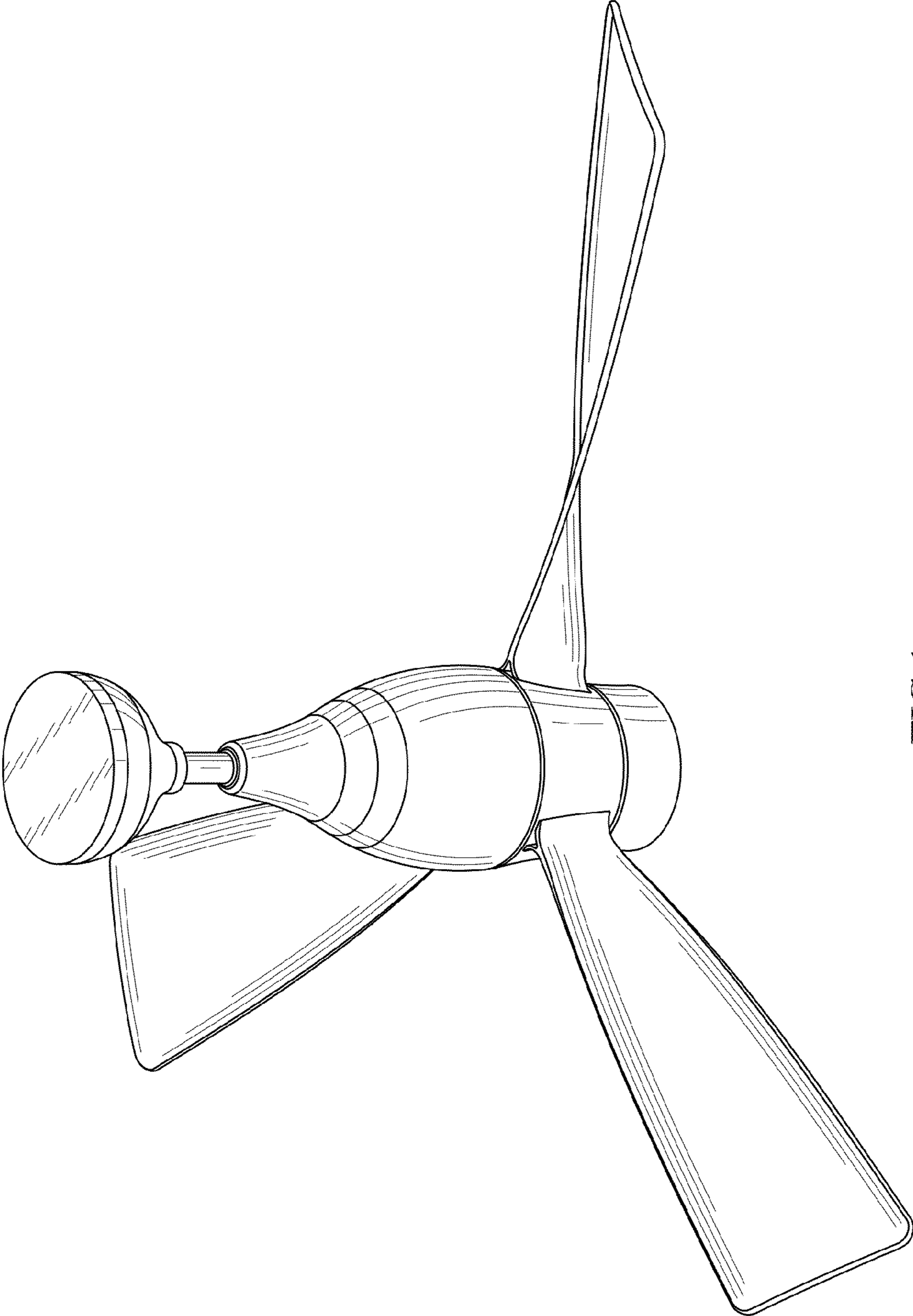


FIG. 1

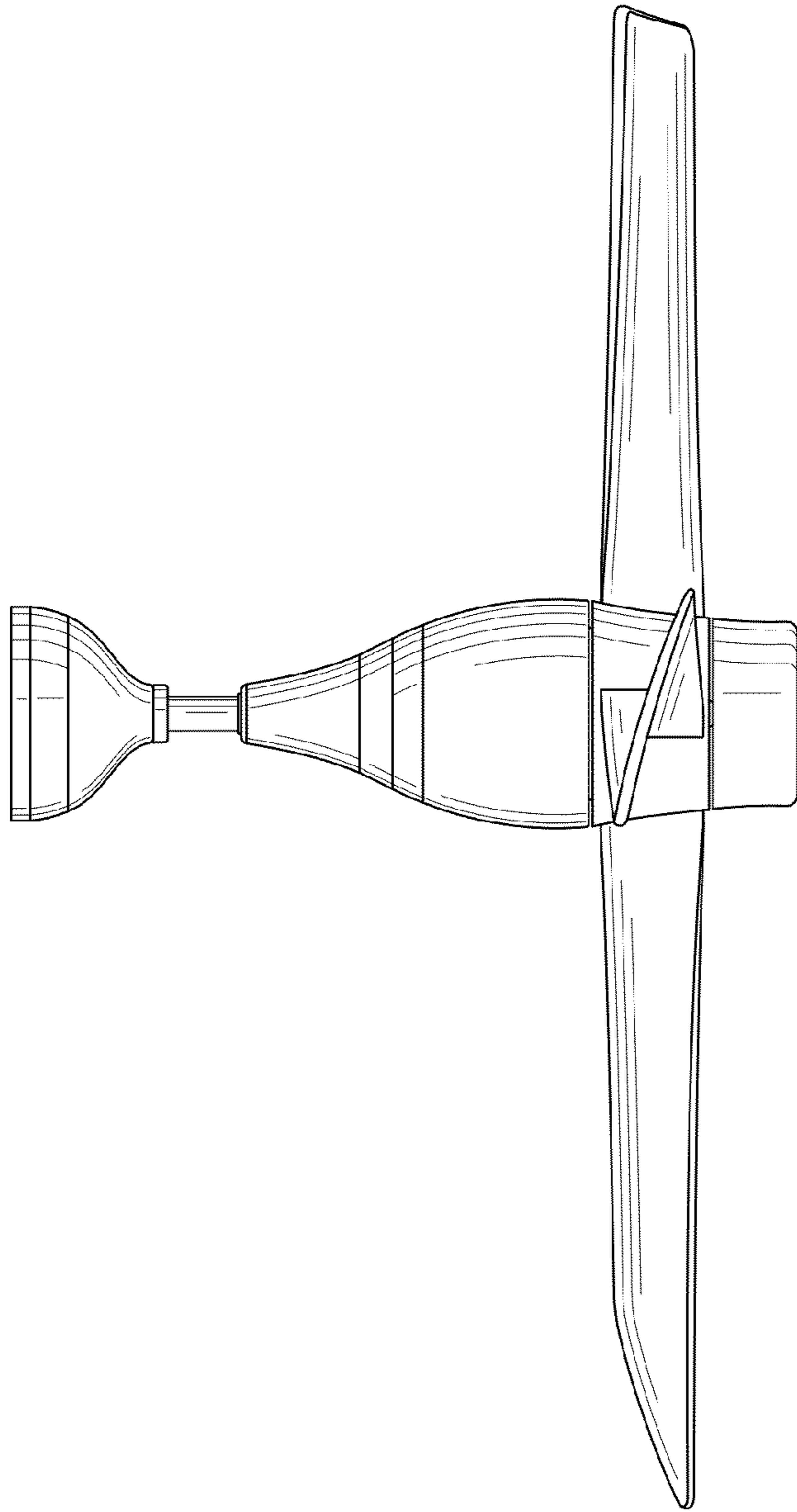


FIG.2

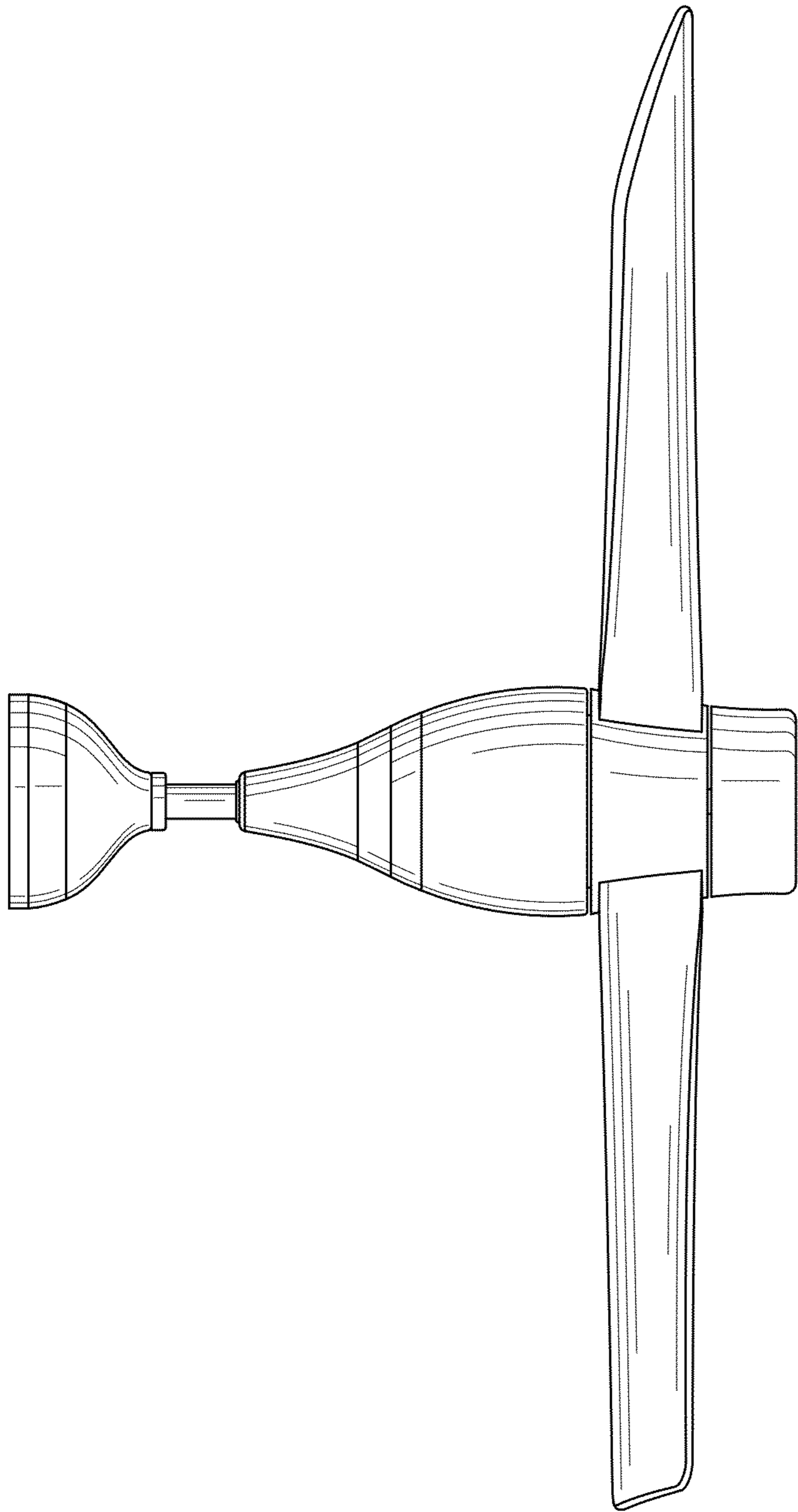


FIG.3

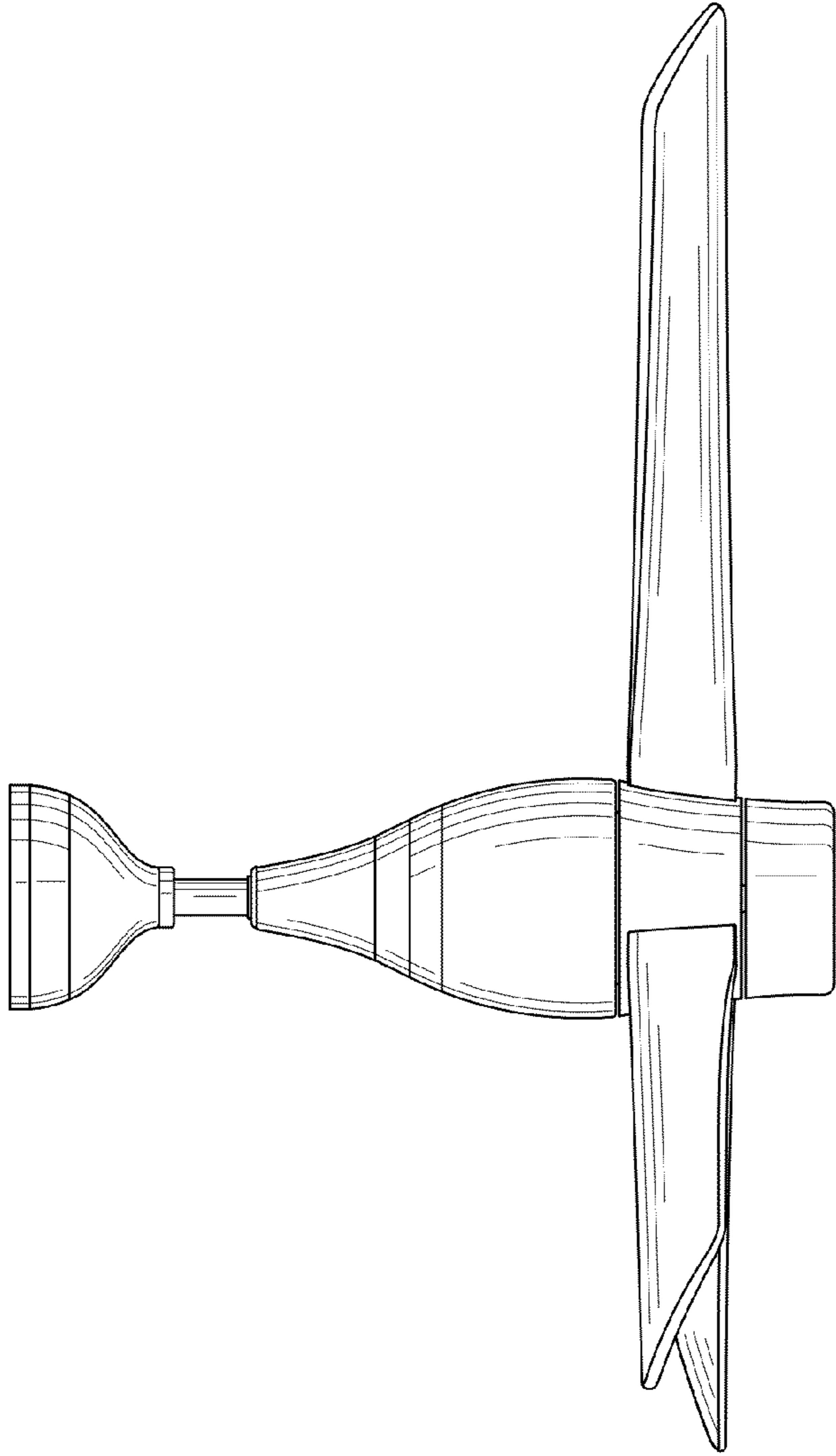


FIG.4

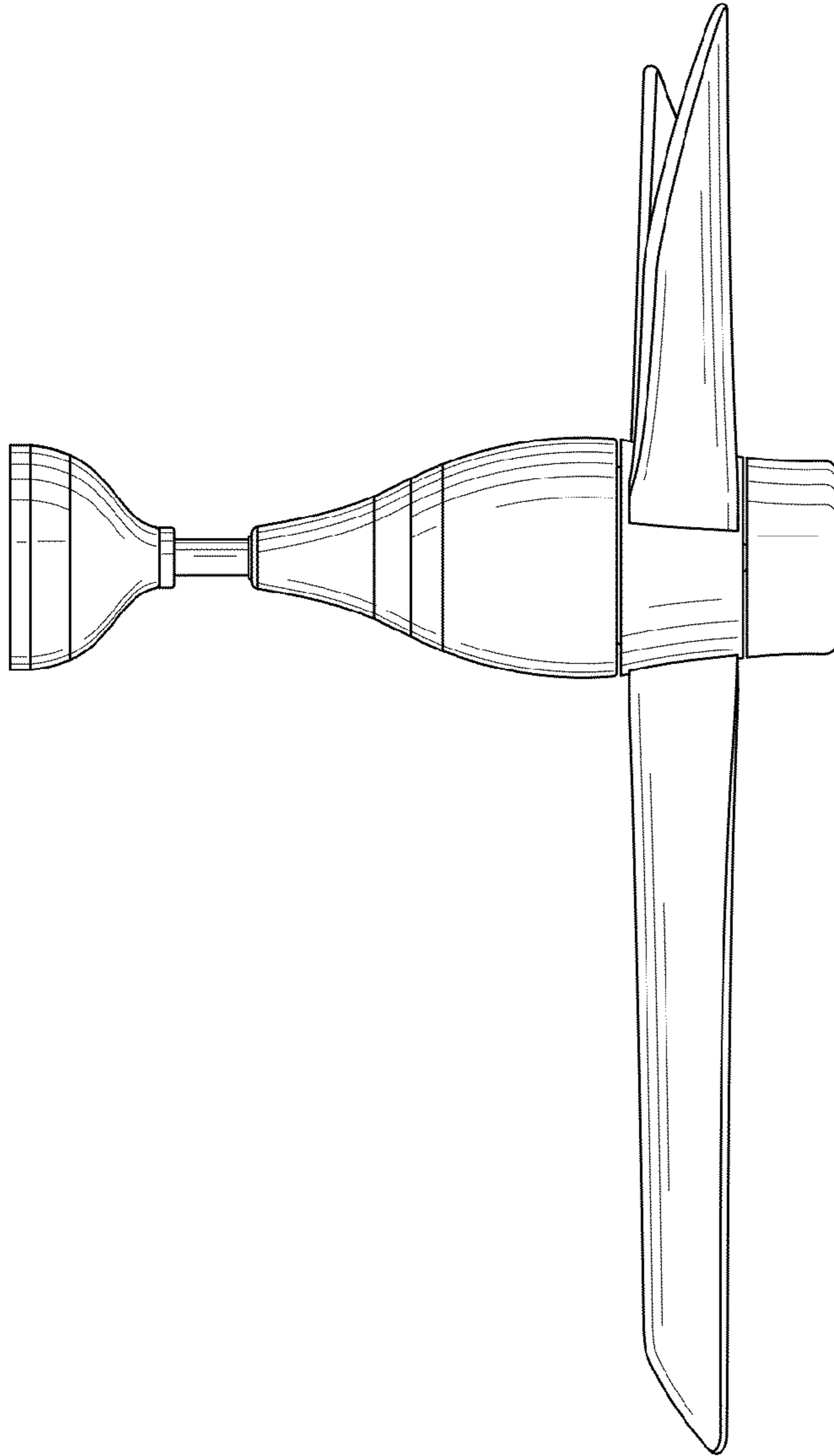


FIG.5

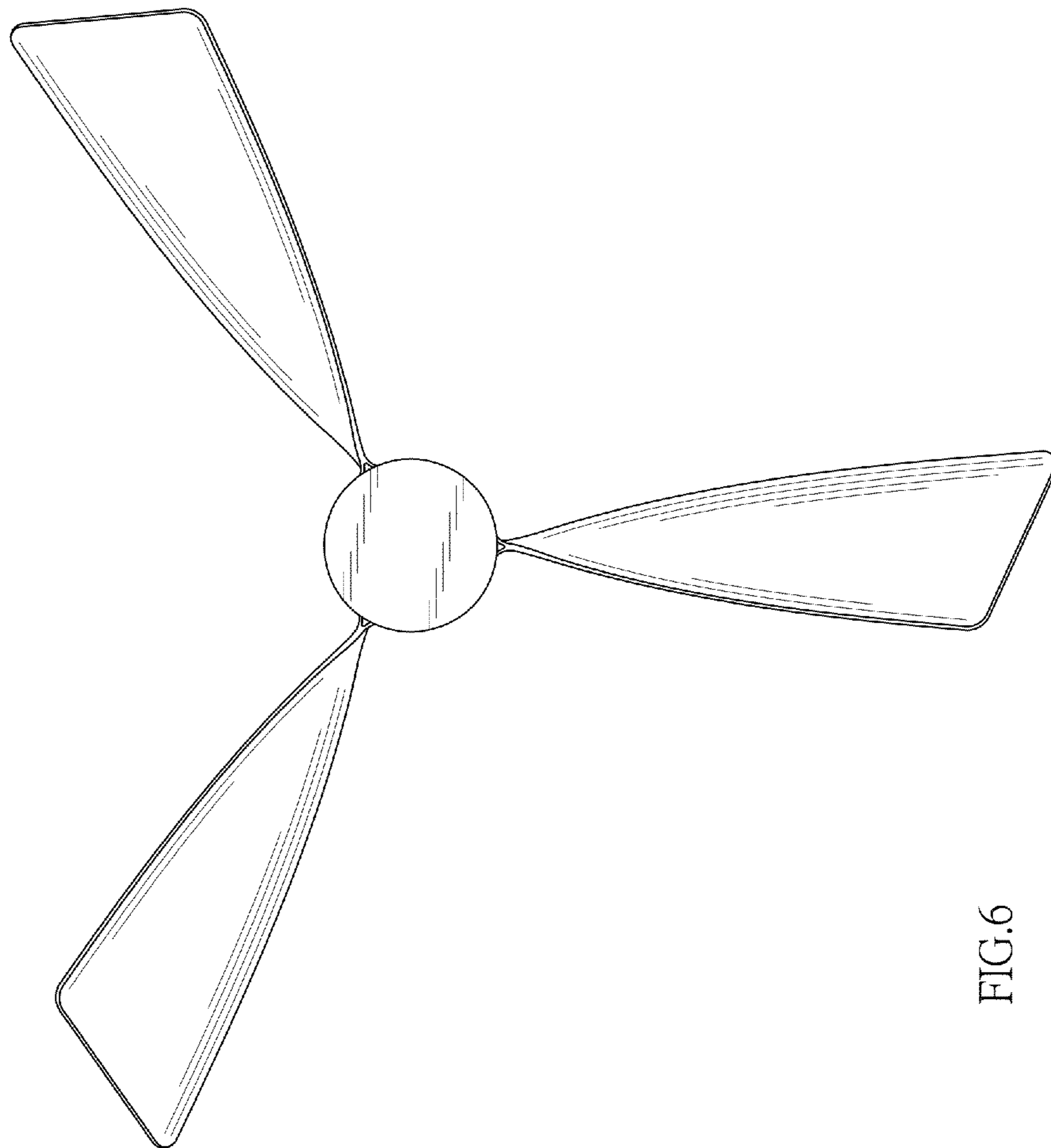


FIG.6

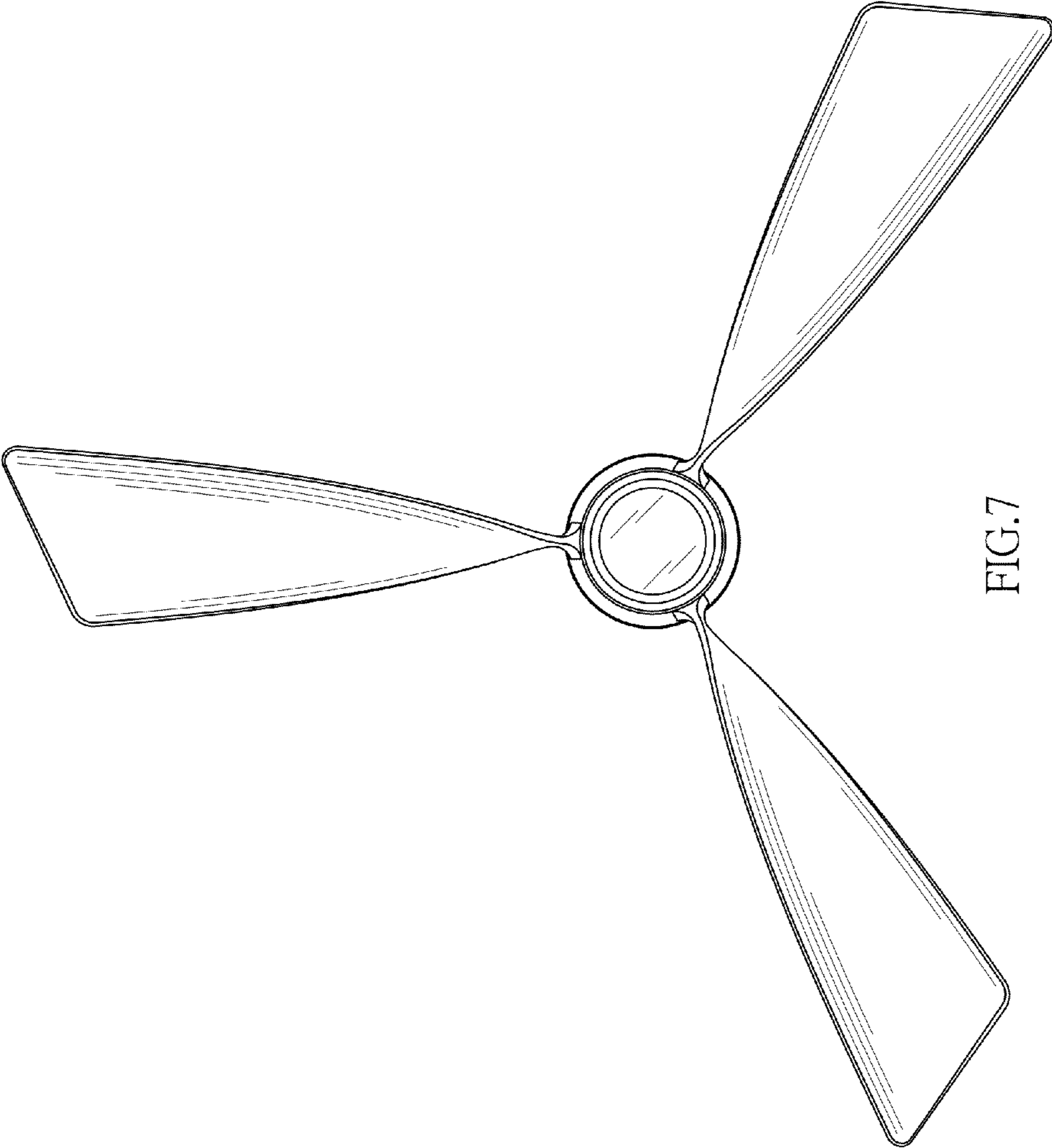


FIG. 7