



US00D716437S

(12) **United States Design Patent**  
**Salisbury et al.**

(10) **Patent No.:** **US D716,437 S**  
(45) **Date of Patent:** **\*\* Oct. 28, 2014**

(54) **CEILING FAN HUB AND BLADE ASSEMBLY**

(71) Applicant: **Patterson Fan Company**, Blythewood, SC (US)

(72) Inventors: **Thomas R. Salisbury**, Columbia, SC (US); **Vance M. Patterson**, Morganton, NC (US)

(73) Assignee: **Patterson Ventilation Company, Inc.**, Blythewood, SC (US)

(\*\*) Term: **14 Years**

(21) Appl. No.: **29/479,660**

(22) Filed: **Jan. 17, 2014**

(51) **LOC (10) Cl.** ..... **23-04**

(52) **U.S. Cl.**

USPC ..... **D23/377; D23/413**

(58) **Field of Classification Search**

CPC ..... **F04D 25/088**

USPC ..... **D23/377, 370–376, 378–385, 411–414, D23/386–394, 499; D12/327; 416/5, 170 R, 416/214 R, 184, 206, 207, 210 R, 220 R, 416/244 R, 248; 417/423.1; 392/364**

See application file for complete search history.

(56) **References Cited**

**U.S. PATENT DOCUMENTS**

445,043	A *	1/1891	Chandler	416/184
1,279,381	A *	9/1918	Viviano	416/220 R
2,098,107	A *	11/1937	Preston	416/214 R
2,222,787	A *	11/1940	Stadler	416/214 R
2,878,730	A *	3/1959	Barnes	404/112
D187,272	S *	2/1960	Twist	D23/413
3,659,959	A *	5/1972	Holstrom	416/212 R
3,733,147	A *	5/1973	Felker	416/214 R
D234,517	S *	3/1975	Bonifant	D23/413
3,912,200	A *	10/1975	Foral	244/17.11
D290,596	S *	6/1987	Schramm	D12/327

(Continued)

**OTHER PUBLICATIONS**

“Commerical Ceiling Fans—HVLS Fans” web page printout from <http://www.macro-air.com/>, printed Oct. 12, 2011, all enclosed pages cited.

(Continued)

*Primary Examiner* — Susan Bennett Hattan

*Assistant Examiner* — Marie Fast Horse

(74) *Attorney, Agent, or Firm* — Nelson Mullins Riley & Scarborough, LLP

(57) **CLAIM**

The ornamental design for a ceiling fan hub and blade assembly, as shown and described.

**DESCRIPTION**

FIG. 1 is a perspective view of a ceiling fan hub and blade assembly in accordance with the present invention;

FIG. 2 is a right side elevation view of the ceiling fan hub and blade assembly of FIG. 1;

FIG. 3 is a left side elevation view of the ceiling fan hub and blade assembly of FIG. 1;

FIG. 4 is a rear side elevation view of the ceiling fan hub and blade assembly of FIG. 1;

FIG. 5 is a front side elevation view of the ceiling fan hub and blade assembly of FIG. 1;

FIG. 6 is a top plan view of the ceiling fan hub and blade assembly of FIG. 1; and

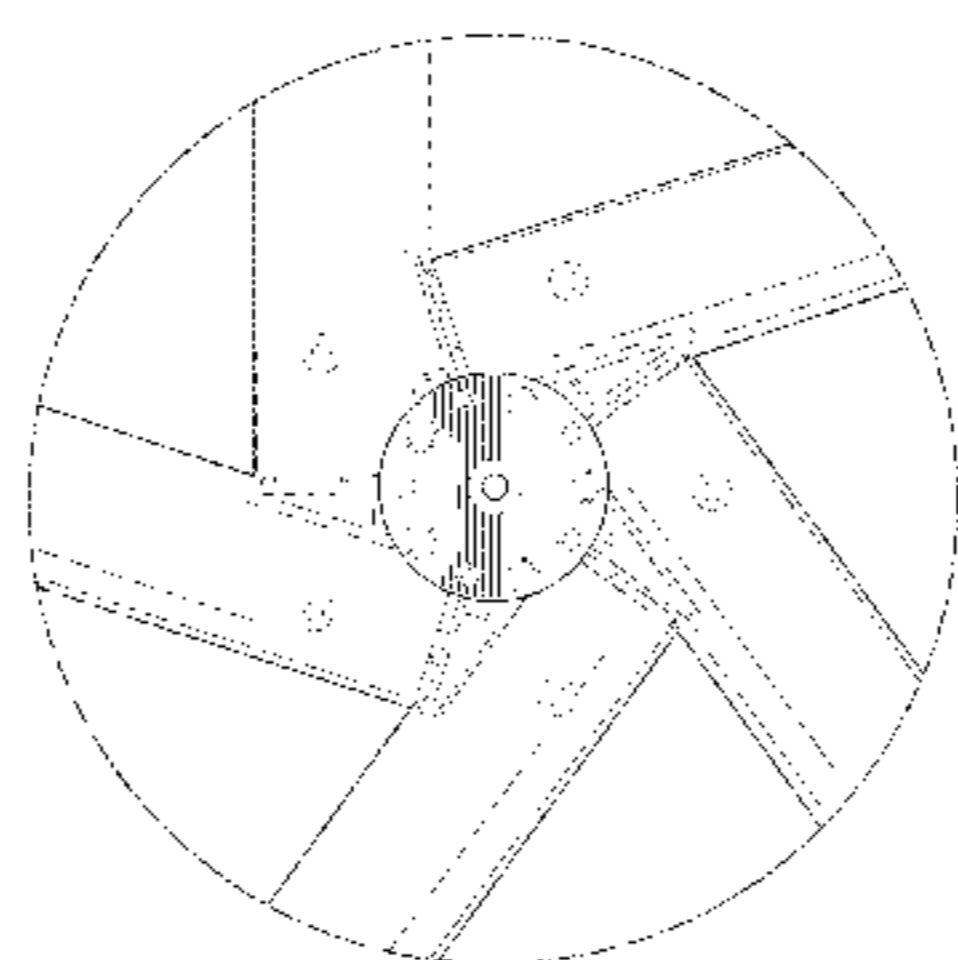
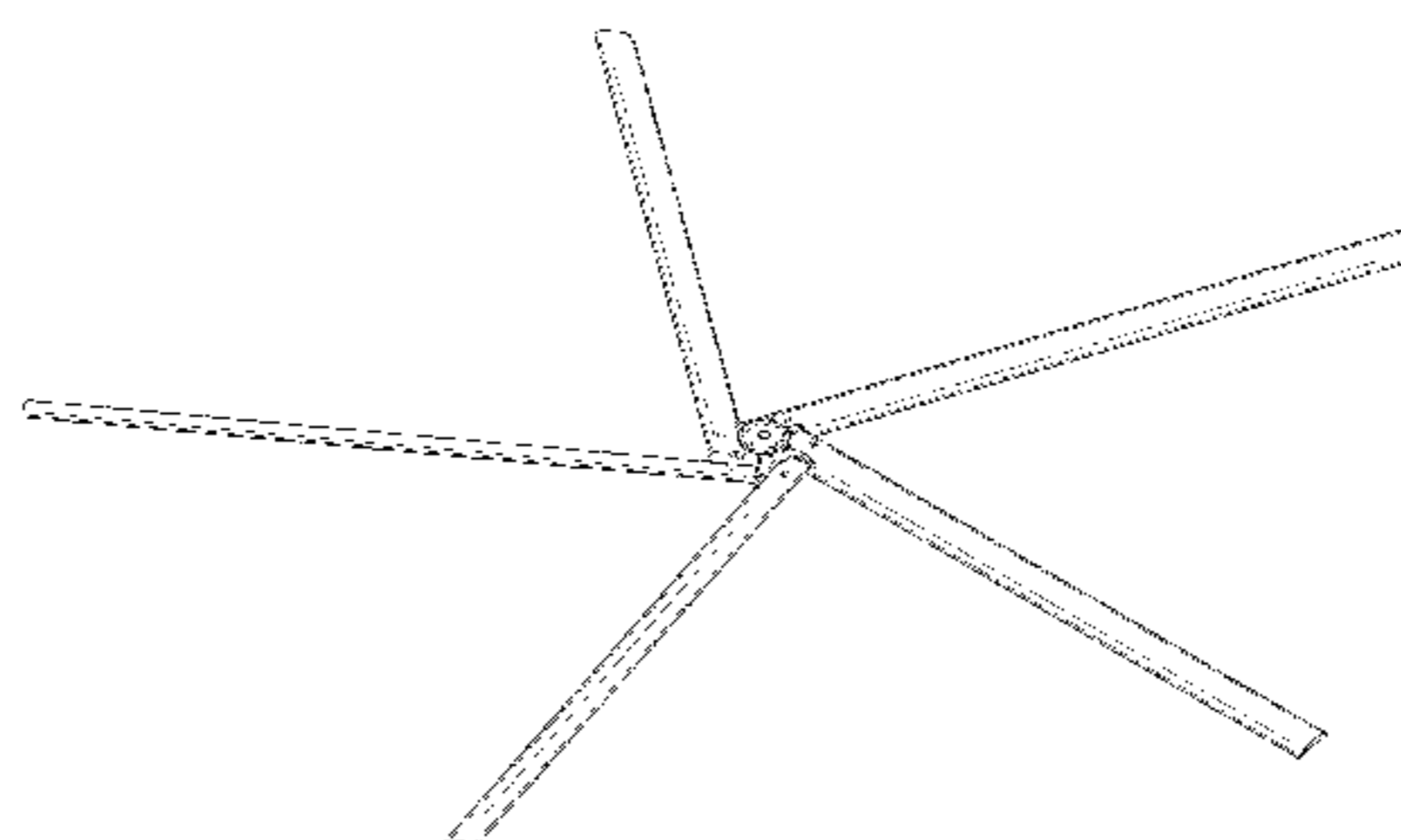
FIG. 7 is a bottom plan view of the ceiling fan hub and blade assembly of FIG. 1;

FIG. 8 is an enlarged view of the portion so indicated in FIG. 2; and,

FIG. 9 is an enlarged view of the portion so indicated in FIG. 6.

The broken lines shown in the accompanying drawings depict environmental subject matter only and form no part of the claim.

**1 Claim, 9 Drawing Sheets**



(56)

References Cited

U.S. PATENT DOCUMENTS

D314,427 S \* 2/1991 Igon ..... D23/377  
 D323,028 S \* 1/1992 Holbrook ..... D23/377  
 D334,232 S \* 3/1993 Searle ..... D23/377  
 D337,156 S \* 7/1993 Jaeger ..... D23/377  
 5,330,323 A \* 7/1994 Swanson ..... 416/219 A  
 D361,054 S \* 8/1995 McCaw ..... D12/327  
 D380,539 S \* 7/1997 Liu ..... D23/377  
 D406,810 S \* 3/1999 Lai ..... D12/327  
 D408,518 S \* 4/1999 Liu ..... D23/377  
 D409,742 S \* 5/1999 Yang ..... D23/377  
 5,938,405 A \* 8/1999 Coleman ..... 416/170 R  
 D430,931 S \* 9/2000 Dye ..... D23/411  
 D435,900 S \* 1/2001 Dye ..... D23/411  
 6,244,820 B1 \* 6/2001 Yilmaz ..... 416/146 R  
 D453,825 S \* 2/2002 Young ..... D23/377  
 D456,503 S \* 4/2002 Young ..... D23/413  
 D467,861 S \* 12/2002 Lee ..... D12/326  
 6,589,016 B2 \* 7/2003 Boyd et al. .... 416/1  
 D479,317 S \* 9/2003 Gajewski ..... D23/377  
 D480,128 S \* 9/2003 Gajewski ..... D23/377  
 D480,464 S \* 10/2003 Liu ..... D23/377  
 D489,446 S \* 5/2004 Hoshina et al. .... D23/413

6,893,223 B2 \* 5/2005 Roberts ..... 416/210 R  
 6,939,108 B2 9/2005 Boyd  
 D523,133 S \* 6/2006 Young ..... D23/411  
 7,252,478 B2 8/2007 Aynsley  
 D556,892 S \* 12/2007 Chen ..... D23/413  
 7,484,934 B2 \* 2/2009 Guzorek ..... 416/183  
 D607,988 S 1/2010 Oleson et al.  
 7,726,945 B2 6/2010 Grant et al.  
 D641,075 S \* 7/2011 Fizer et al. .... D23/411  
 8,066,480 B2 \* 11/2011 Madsen ..... 416/38  
 D660,953 S \* 5/2012 Allen et al. .... D23/377  
 8,430,636 B2 \* 4/2013 Wagner et al. .... 416/132 B  
 2006/0269414 A1 \* 11/2006 Palcic et al. .... 416/170 R  
 2009/0081045 A1 \* 3/2009 Scherer et al. .... 416/214 R  
 2009/0208333 A1 \* 8/2009 Smith et al. .... 416/5  
 2009/0246028 A1 \* 10/2009 Richardson ..... 416/210 R  
 2011/0262278 A1 \* 10/2011 Fizer et al. .... 416/220 R  
 2013/0175386 A1 \* 7/2013 Raffel et al. .... 244/17.21

OTHER PUBLICATIONS

“High-5 Fan Series” Specification Sheet, Patterson Fan Company (undated).

\* cited by examiner

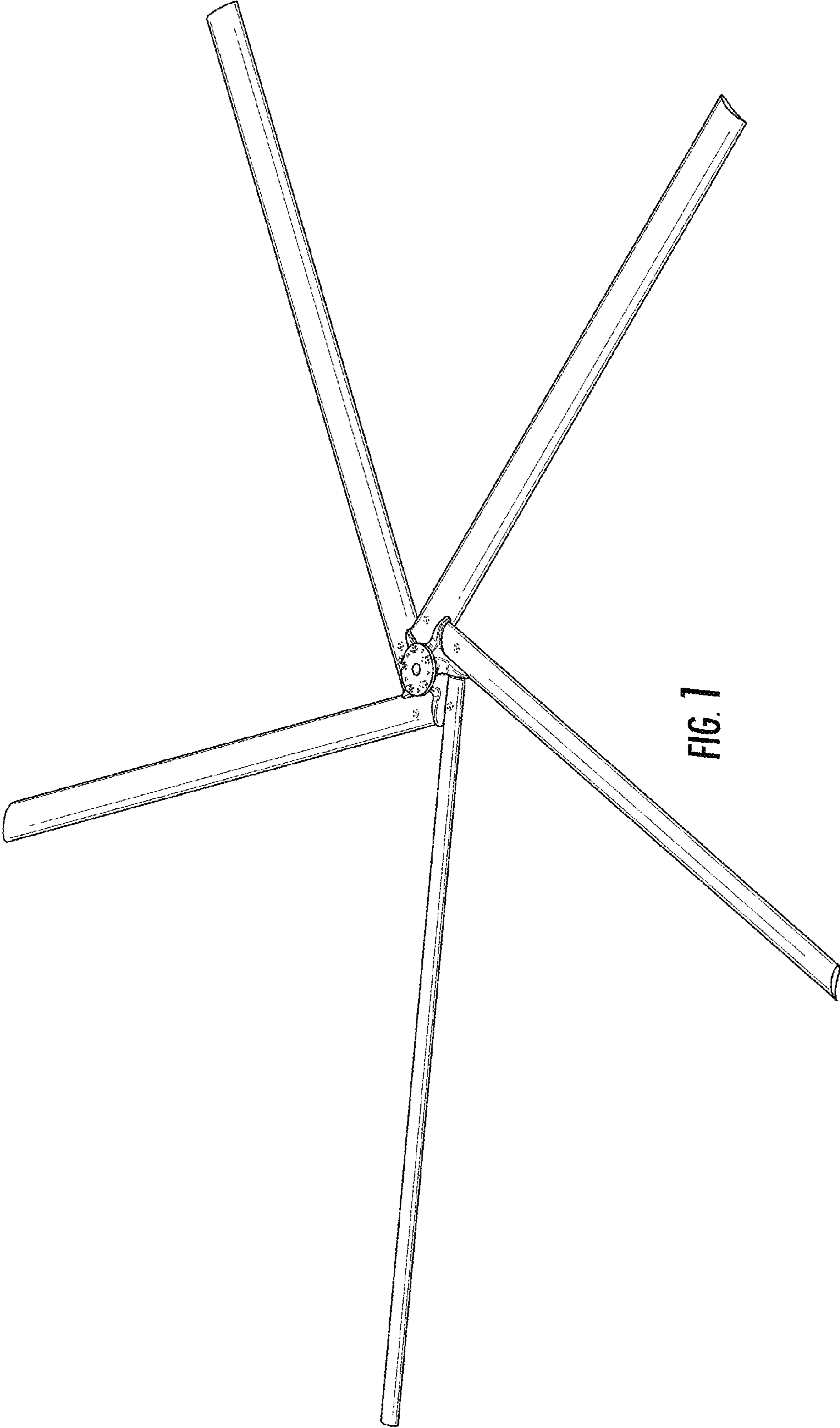


FIG. 1

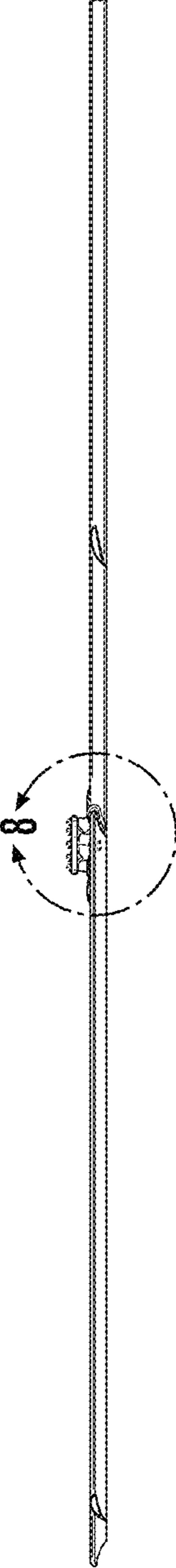


FIG. 2



FIG. 3



FIG. 4



FIG. 5



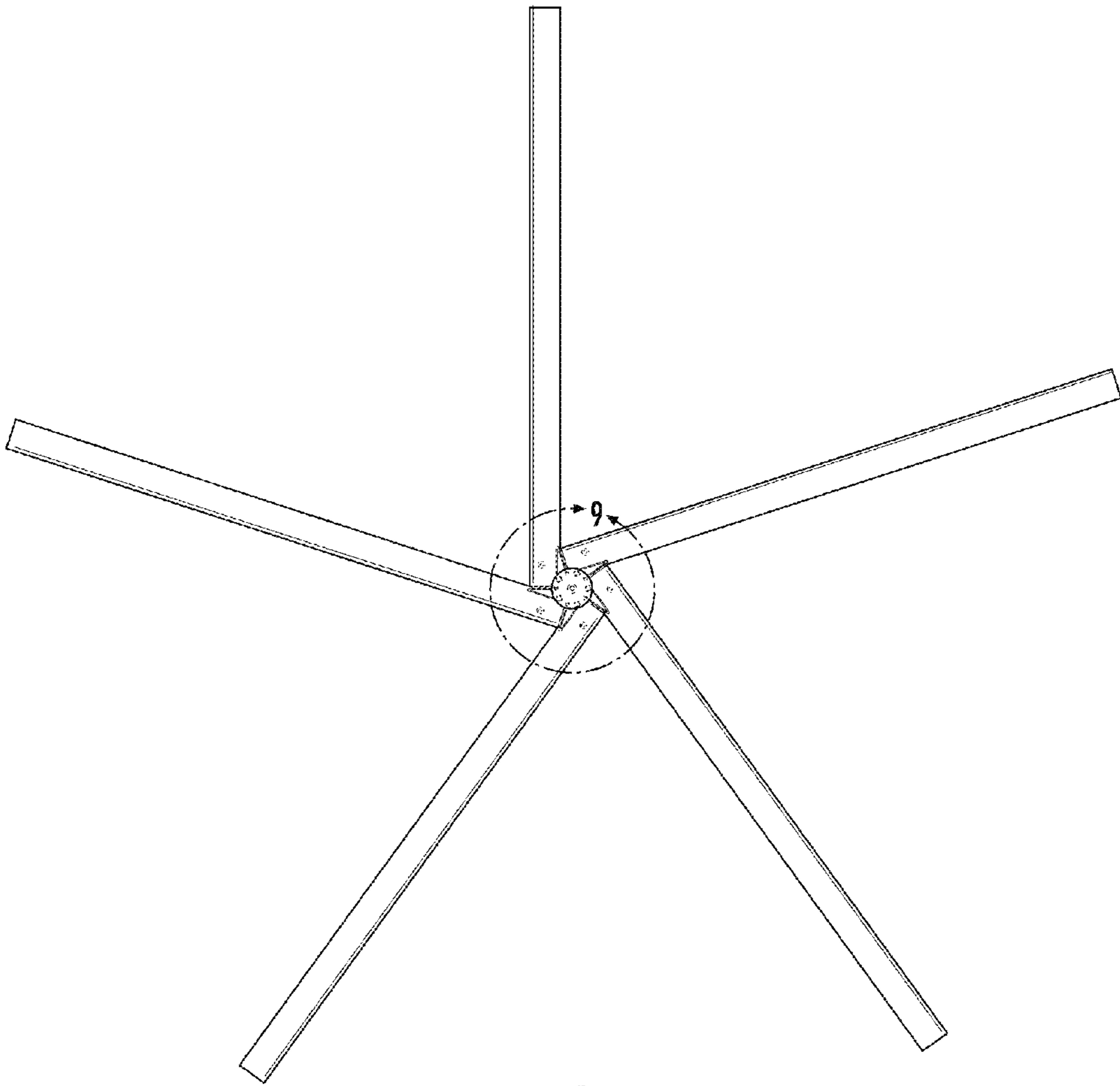


FIG. 6



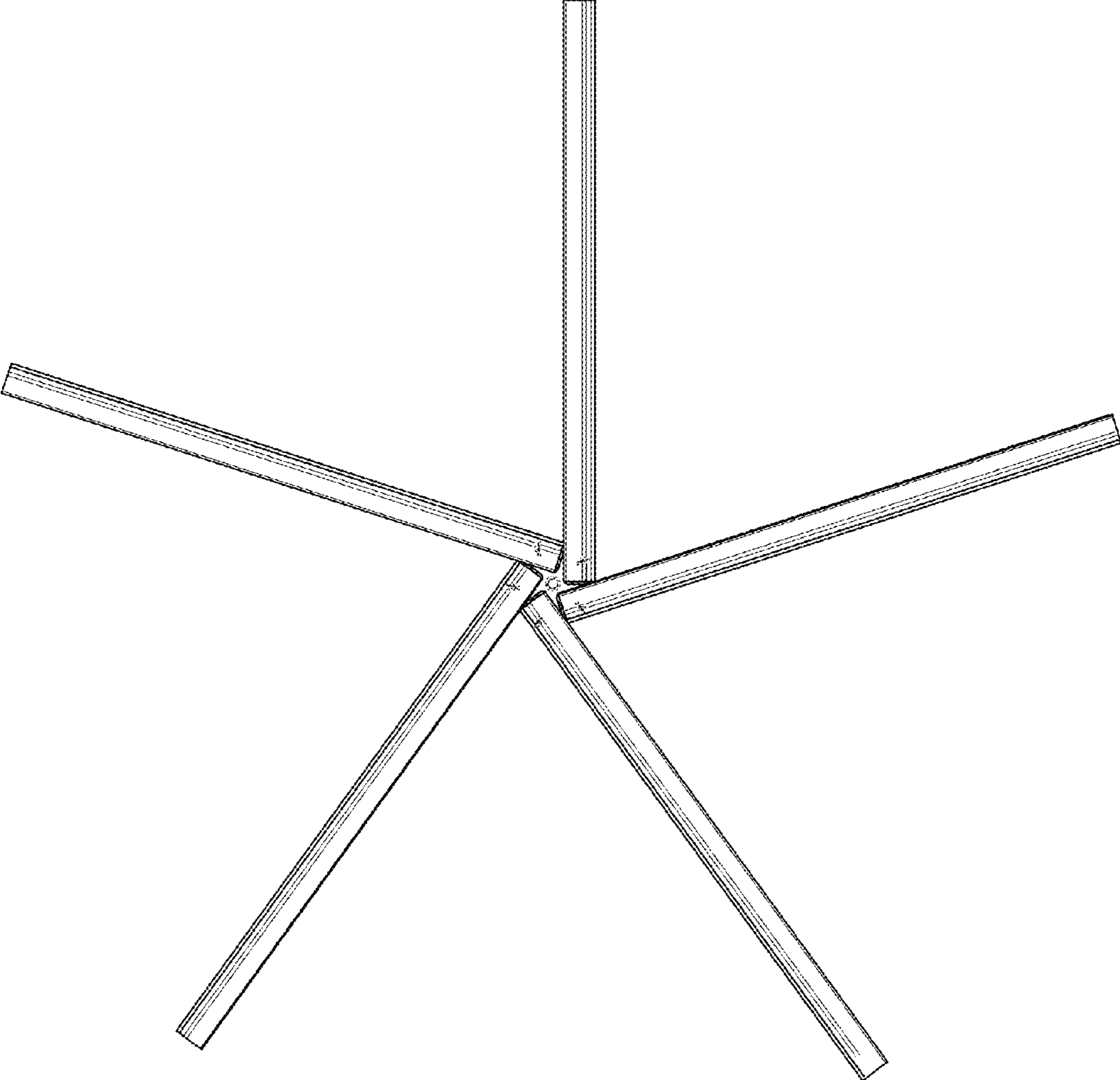
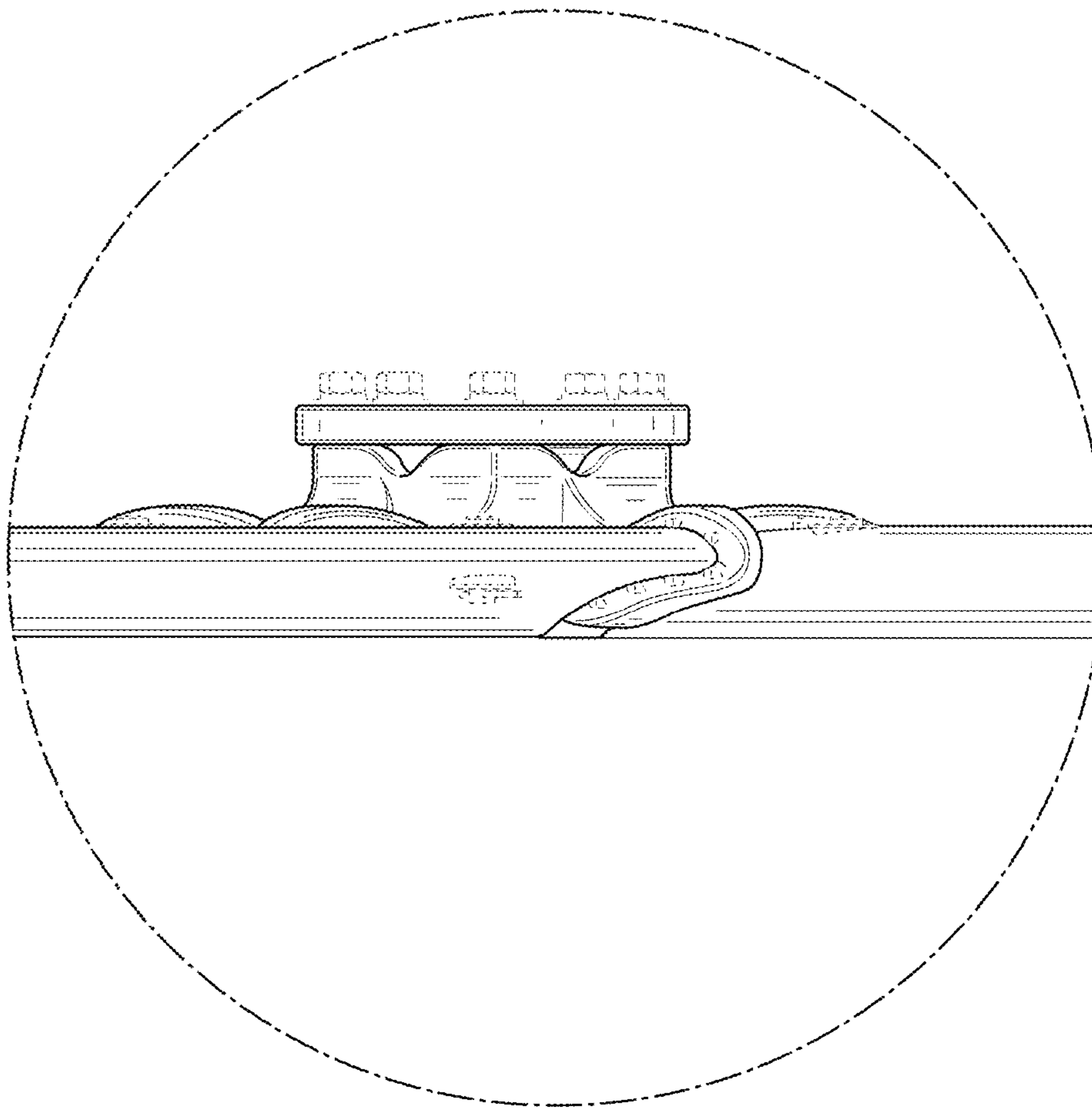


FIG. 7



**FIG. 8**

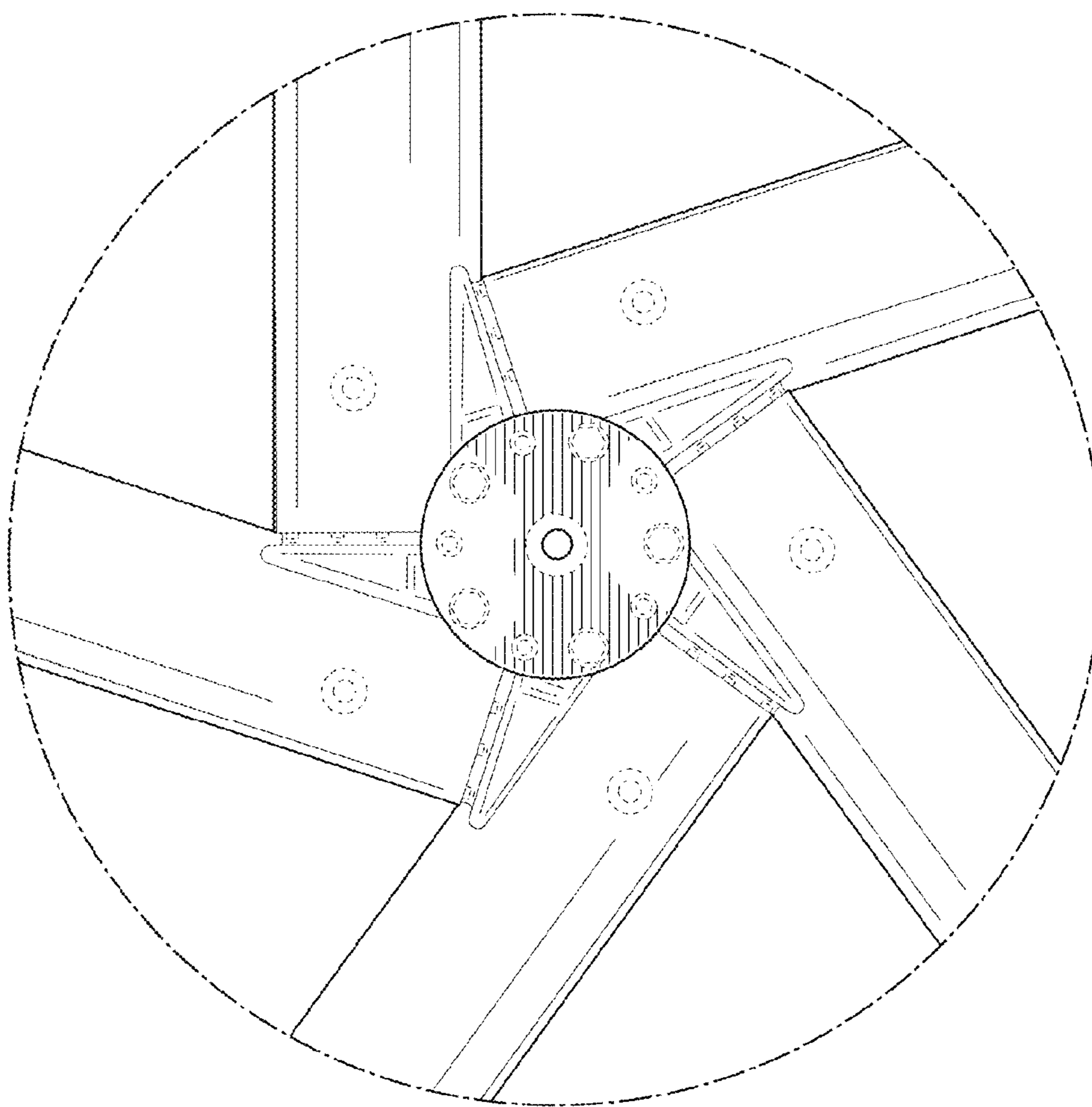


FIG. 9

UNITED STATES PATENT AND TRADEMARK OFFICE  
**CERTIFICATE OF CORRECTION**

PATENT NO. : D716,437 S  
APPLICATION NO. : 29/479660  
DATED : October 28, 2014  
INVENTOR(S) : Salisbury et al.

Page 1 of 1

It is certified that error appears in the above-identified patent and that said Letters Patent is hereby corrected as shown below:

On the title page, item [71] delete "Patterson Fan Company" and insert --Patterson Ventilation Company, Inc.--.

Signed and Sealed this  
Thirtieth Day of June, 2015



Michelle K. Lee  
*Director of the United States Patent and Trademark Office*