



US00D716436S

(12) **United States Design Patent**
Johnson

(10) **Patent No.:** **US D716,436 S**

(45) **Date of Patent:** **** Oct. 28, 2014**

(54) **COMBINED CEILING FAN AND LIGHT KIT**

(71) Applicant: **Quorum International, Inc.**, Fort Worth, TX (US)

(72) Inventor: **Aaron M. Johnson**, Albuquerque, NM (US)

(73) Assignee: **Quorum International, Inc.**, Fort Worth, TX (US)

(**) Term: **14 Years**

(21) Appl. No.: **29/470,350**

(22) Filed: **Nov. 5, 2013**

(51) **LOC (10) Cl.** **23-04**

(52) **U.S. Cl.**
USPC **D23/377; D26/59**

(58) **Field of Classification Search**
CPC F04D 25/088; F04D 29/384; F01D 5/02
USPC D23/377-385, 411-414, 386-394, 499;
416/1, 5, 170 R, 214 R, 184, 206, 207,
416/210 R, 220 R, 244 R, 248; 392/364;
D26/59, 51, 72, 73, 80-86, 88, 90
See application file for complete search history.

(56) **References Cited**

U.S. PATENT DOCUMENTS

4,073,598	A *	2/1978	Mizutani et al.	416/5
4,396,352	A *	8/1983	Pearce	416/206
D297,360	S *	8/1988	Cheslock	D23/385
D328,638	S *	8/1992	Hsieh	D23/377
5,135,365	A *	8/1992	Bogage	417/423.15
D349,336	S *	8/1994	Tsuji	D23/377
D408,074	S *	4/1999	Tai	D23/377
D408,516	S *	4/1999	Tai	D23/377
D477,393	S *	7/2003	Johnson	D23/377
D483,847	S *	12/2003	Tai	D23/377
D526,432	S *	8/2006	Guthrie	D26/59
D603,035	S *	10/2009	Yang	D23/377

D612,476 S * 3/2010 Noble D23/377
D614,757 S * 4/2010 Noble D23/377
2013/0189109 A1 * 7/2013 Noble 416/219 R
2013/0302169 A1 * 11/2013 Hennes et al. 416/170 R

* cited by examiner

Primary Examiner — Susan Bennett Hattan

Assistant Examiner — Marie Fast Horse

(74) *Attorney, Agent, or Firm* — Charles D. Gunter, Jr.

(57) **CLAIM**

The ornamental design for a combined ceiling fan and light kit, as shown and described.

DESCRIPTION

FIG. 1 is a top, perspective view of the combined ceiling fan and light kit of the invention;

FIG. 2 is a front, side view of the combined ceiling fan and light kit of FIG. 1;

FIG. 3 is a rear, side view of the combined ceiling fan and light kit of FIG. 1;

FIG. 4 is a right, side view of the combined ceiling fan and light kit of the invention;

FIG. 5 is a left, side view of the combined ceiling fan and light kit of the invention;

FIG. 6 is a bottom view of the combined ceiling fan and light kit of the invention;

FIG. 7 is a top view of the combined ceiling fan and light kit of the invention;

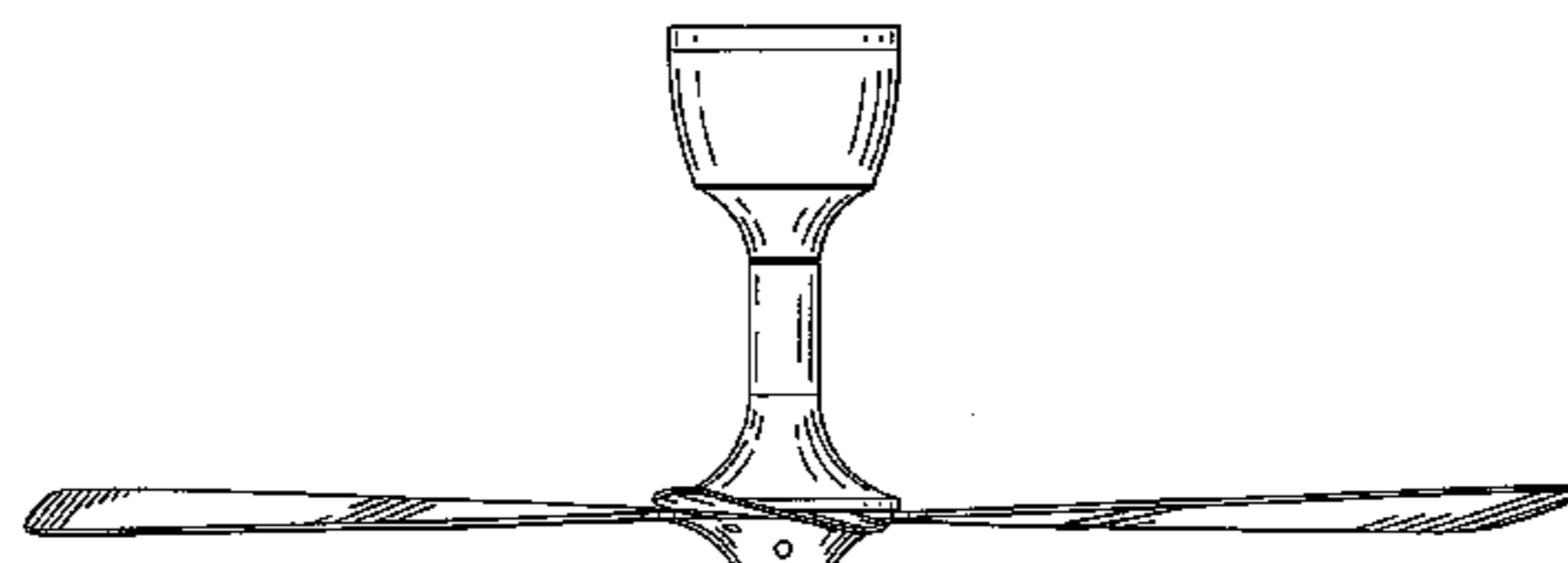
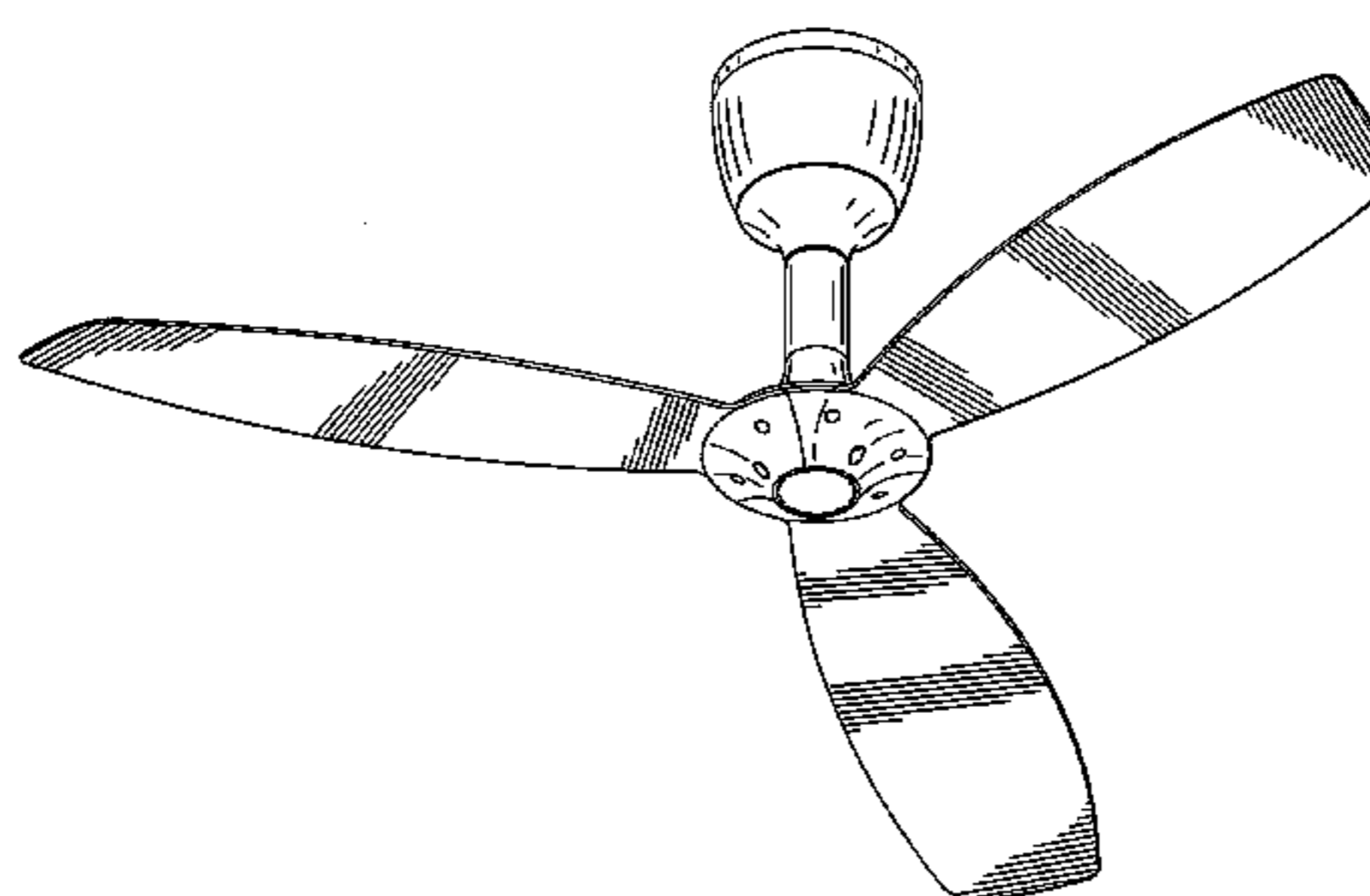
FIG. 8 is a bottom, perspective view of the combined ceiling fan and light kit of the invention;

FIG. 9 is a fragmentary view of the combined ceiling fan and light kit of the invention with the blades partially broken away for ease of illustration; and,

FIG. 10 is a close up top view of the combined ceiling fan and light kit of the invention with the ban blades shown partially broken away for ease of illustration.

The broken lines in the drawings depict environmental subject matter only and form no part of the claimed design.

1 Claim, 8 Drawing Sheets



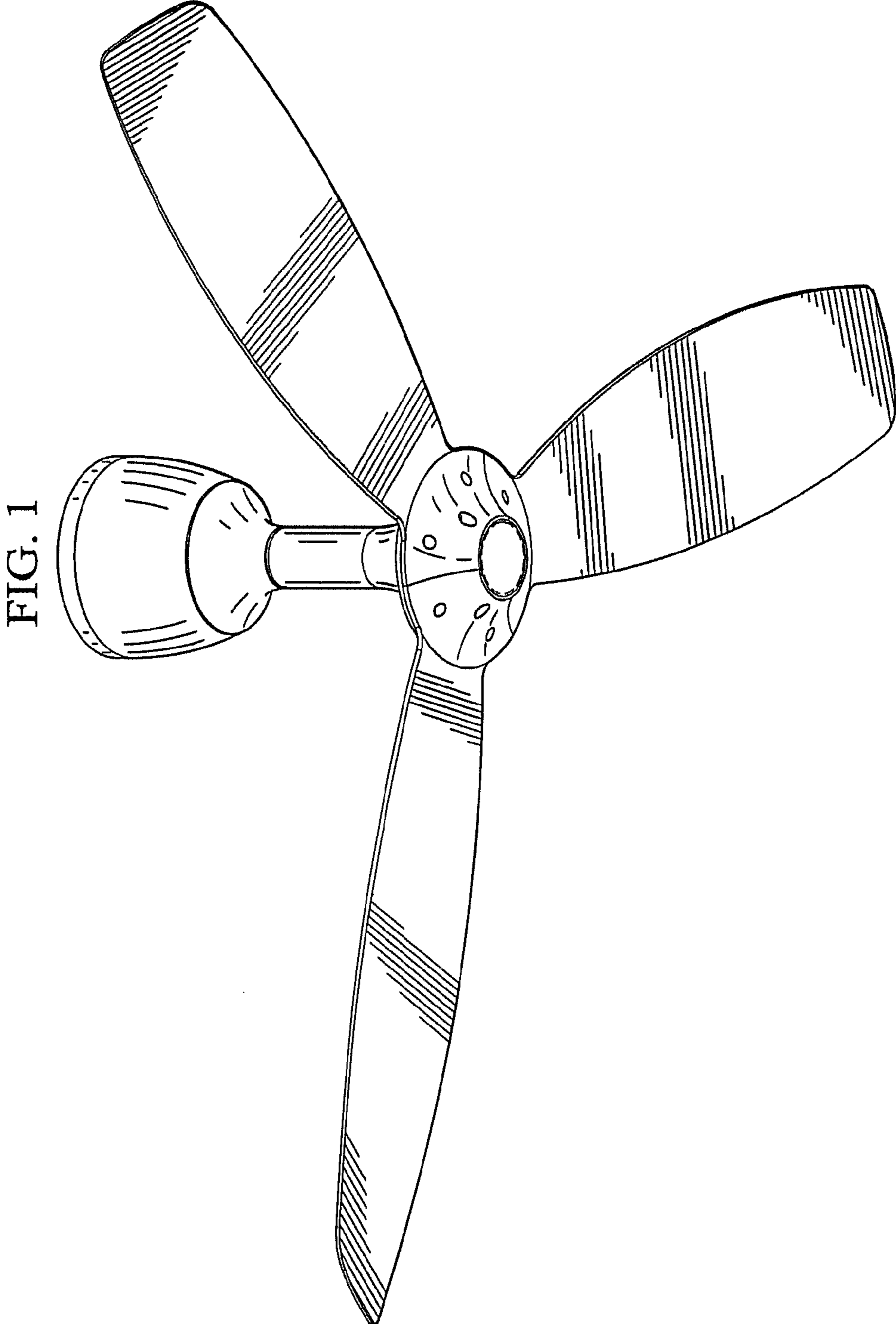


FIG. 1

FIG. 2

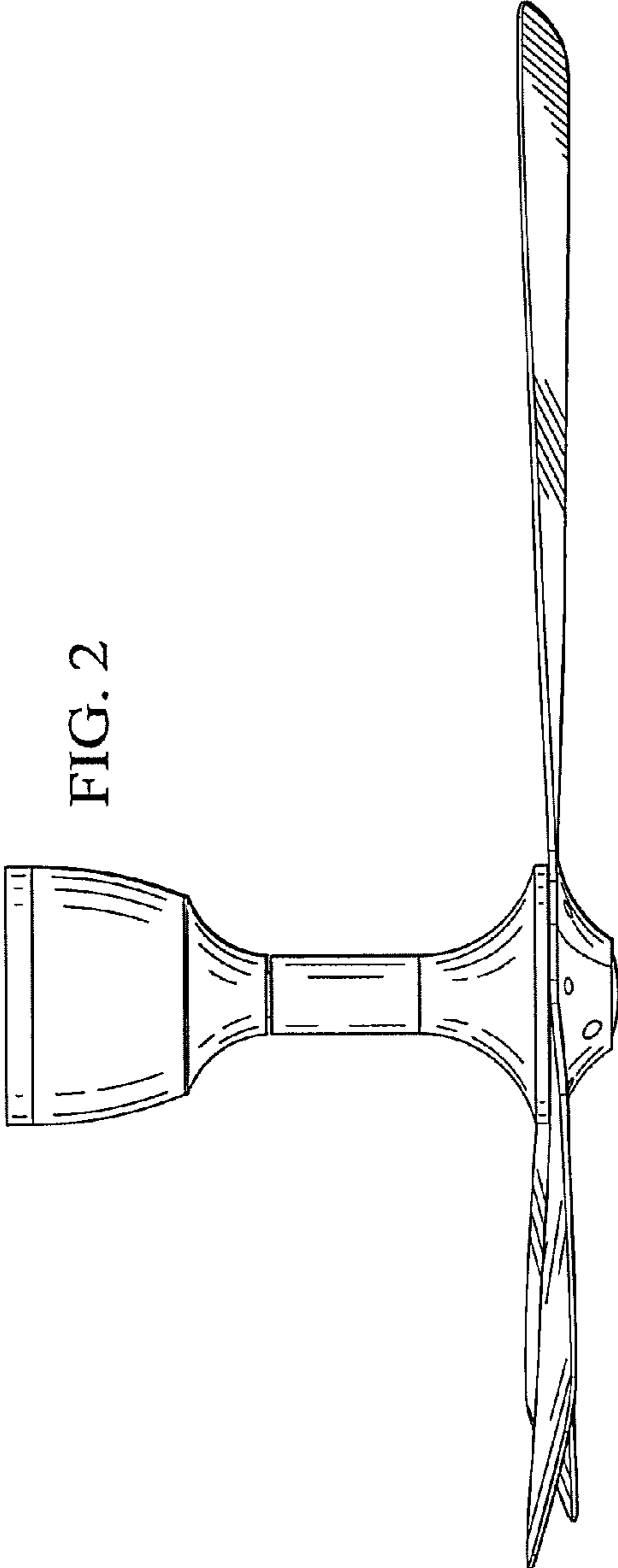


FIG. 3

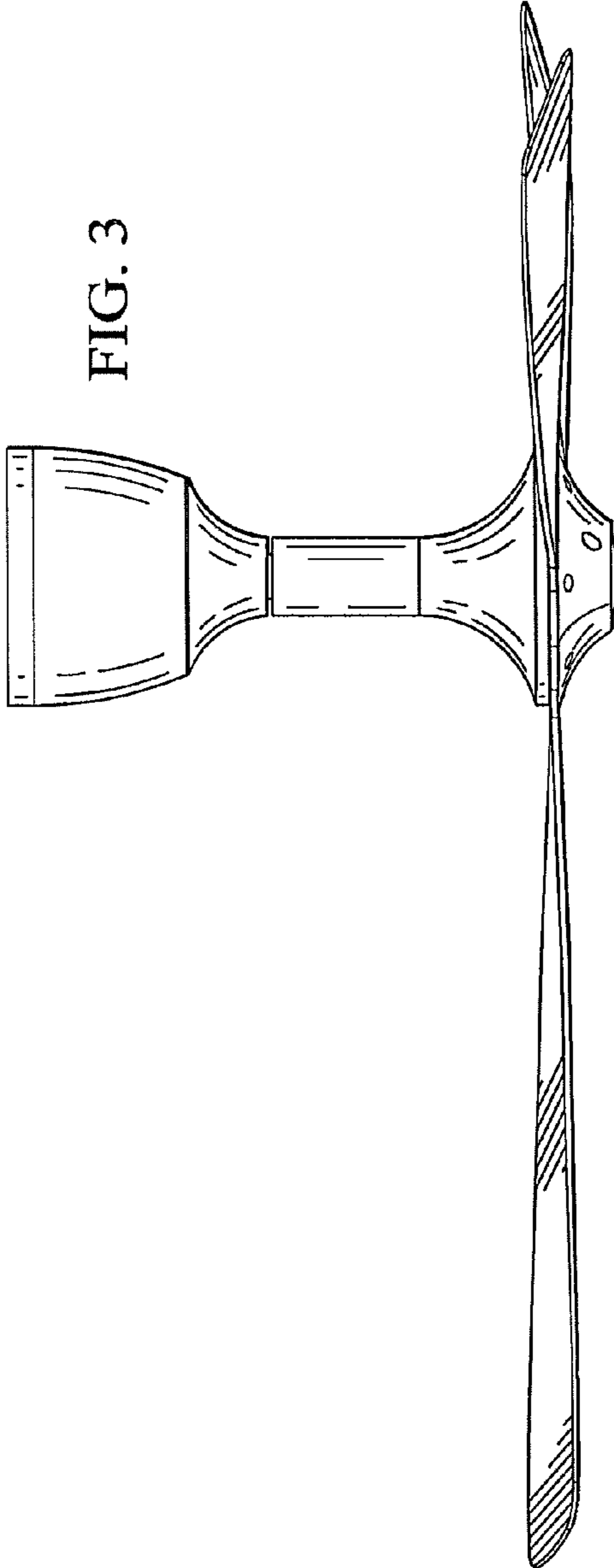


FIG. 4

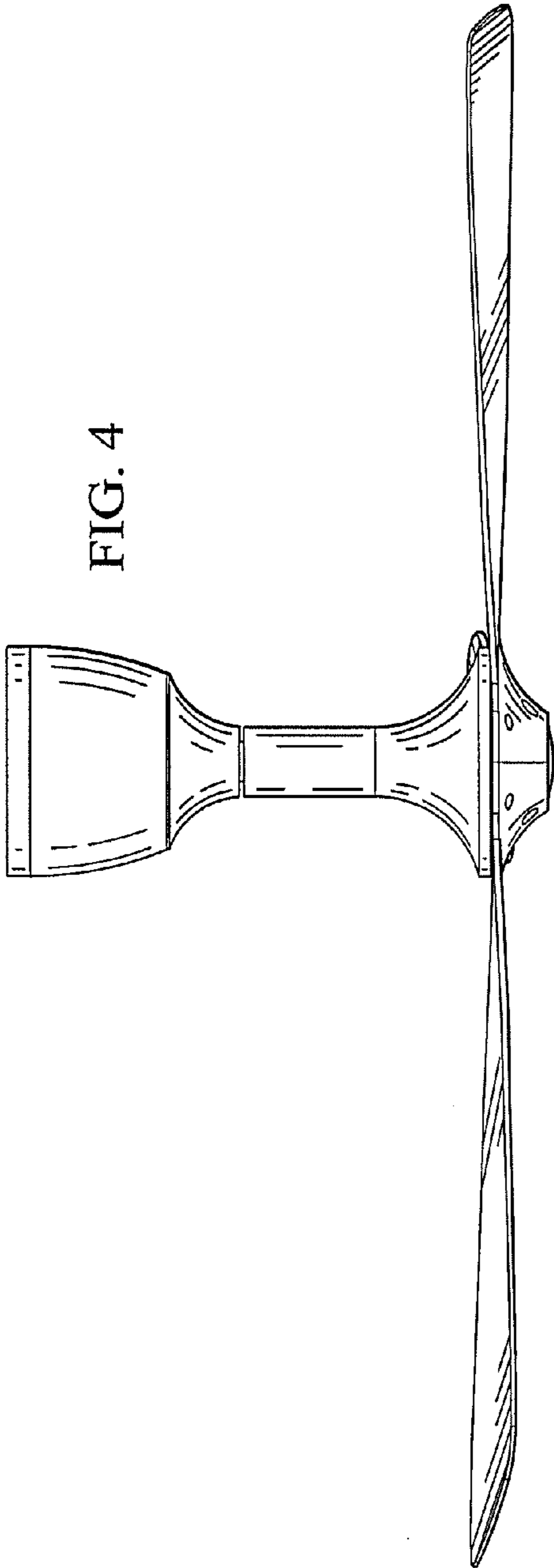
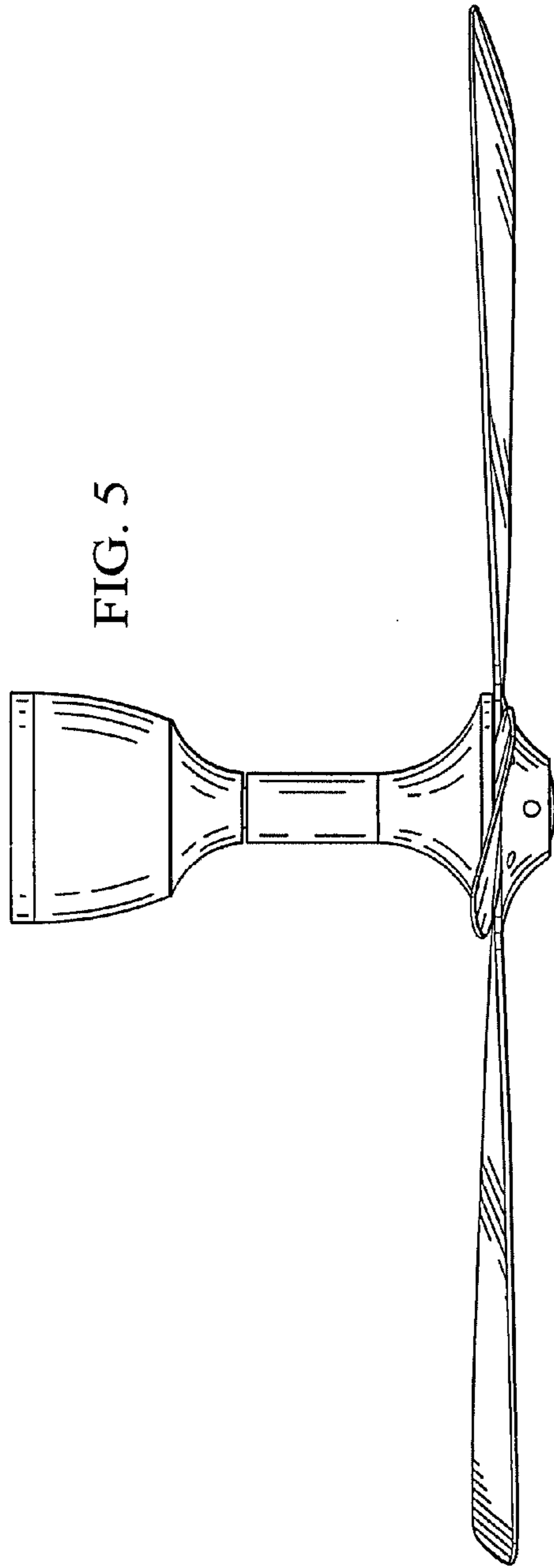


FIG. 5



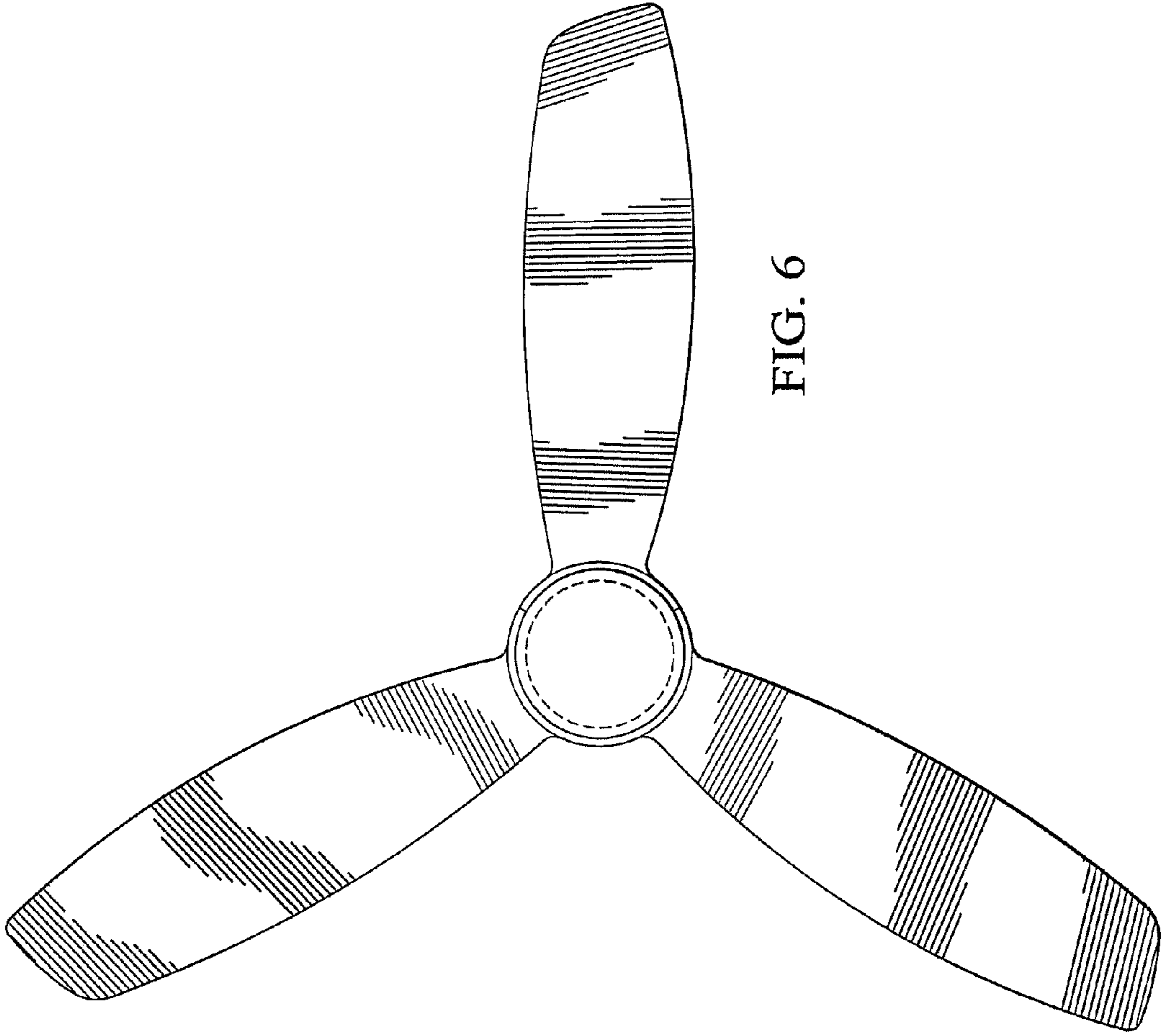


FIG. 6

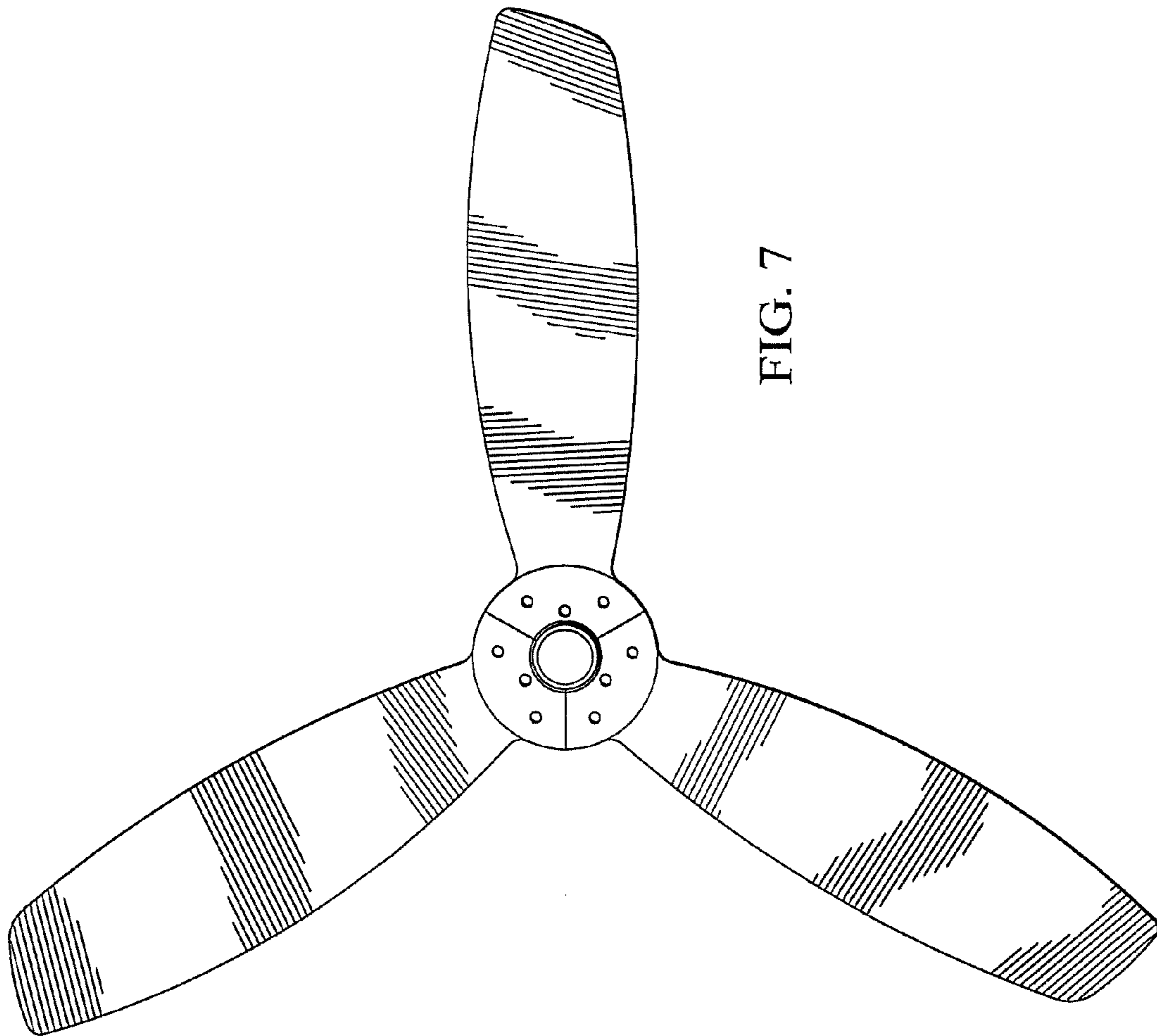


FIG. 7

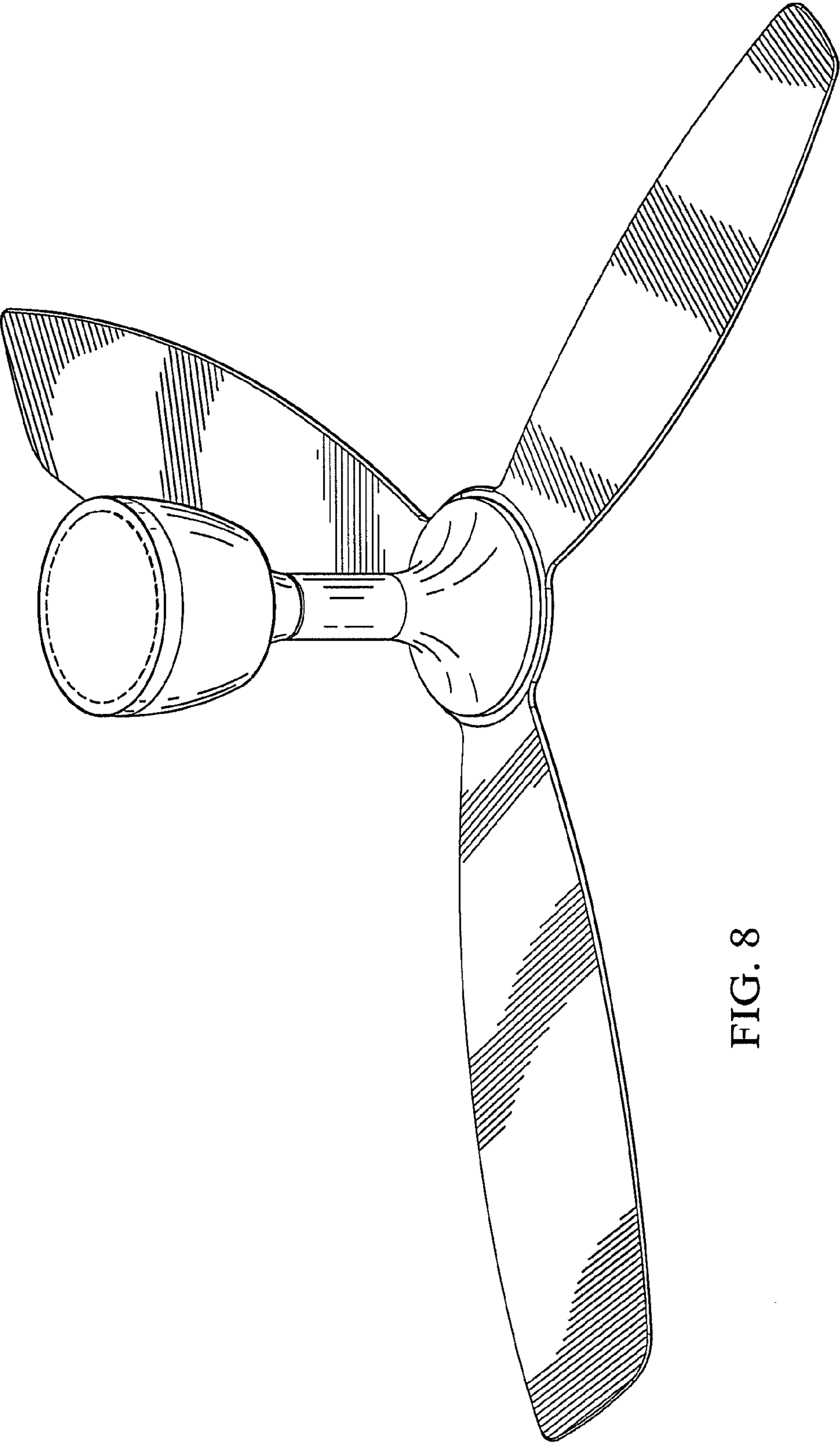


FIG. 8

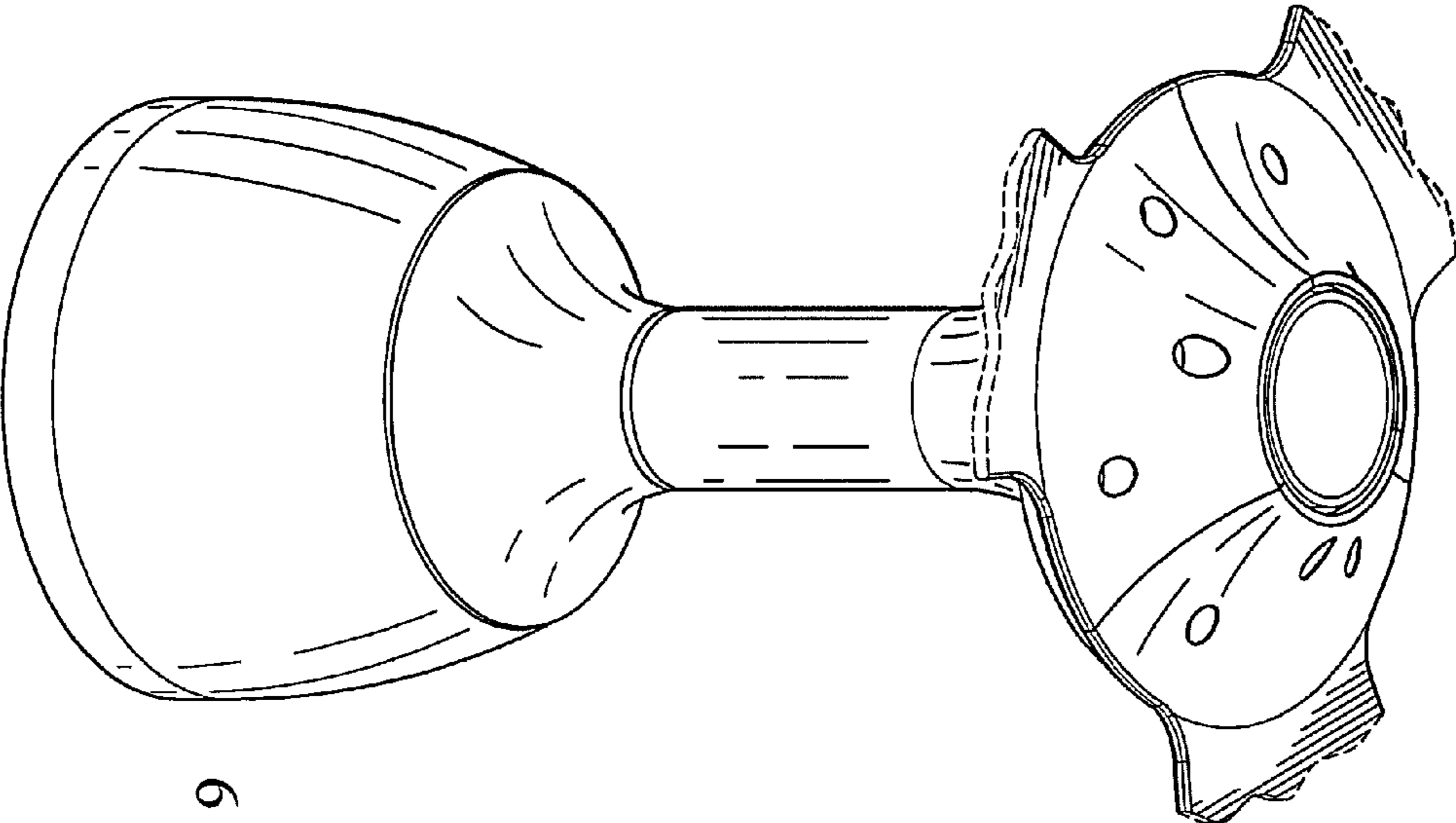


FIG. 9

FIG. 10

