



US00D716435S

(12) **United States Design Patent**
Propes

(10) **Patent No.:** **US D716,435 S**

(45) **Date of Patent:** **** Oct. 28, 2014**

(54) **FRAGRANCE-EMITTING APPARATUS**

D665,067 S *	8/2012	Browder	D23/366
D667,101 S *	9/2012	Browder	D23/366
D673,254 S *	12/2012	Browder	D23/366
D678,496 S *	3/2013	Browder	D23/366

(71) Applicant: **Travis Propes**, Charleston, SC (US)

(72) Inventor: **Travis Propes**, Charleston, SC (US)

* cited by examiner

(**) Term: **14 Years**

Primary Examiner — Sandra Snapp

(21) Appl. No.: **29/488,329**

(74) *Attorney, Agent, or Firm* — Roeder & Broder LLP;
James P. Broder

(22) Filed: **Apr. 17, 2014**

(51) **LOC (10) Cl.** **28-99**

(52) **U.S. Cl.**
USPC **D23/366**

(58) **Field of Classification Search**
USPC D23/355–369; D28/5, 6; 261/DIG. 17,
261/DIG. 42, DIG. 65, DIG. 88, DIG. 89;
392/386, 390, 394, 395; 239/34, 44,
239/53, 55, 56, 326; D26/14, 17, 98, 9, 22,
D26/24; D11/131.1; D7/509, 522, 524, 537
See application file for complete search history.

(57) **CLAIM**

The ornamental design for a fragrance-emitting apparatus, as shown and described.

DESCRIPTION

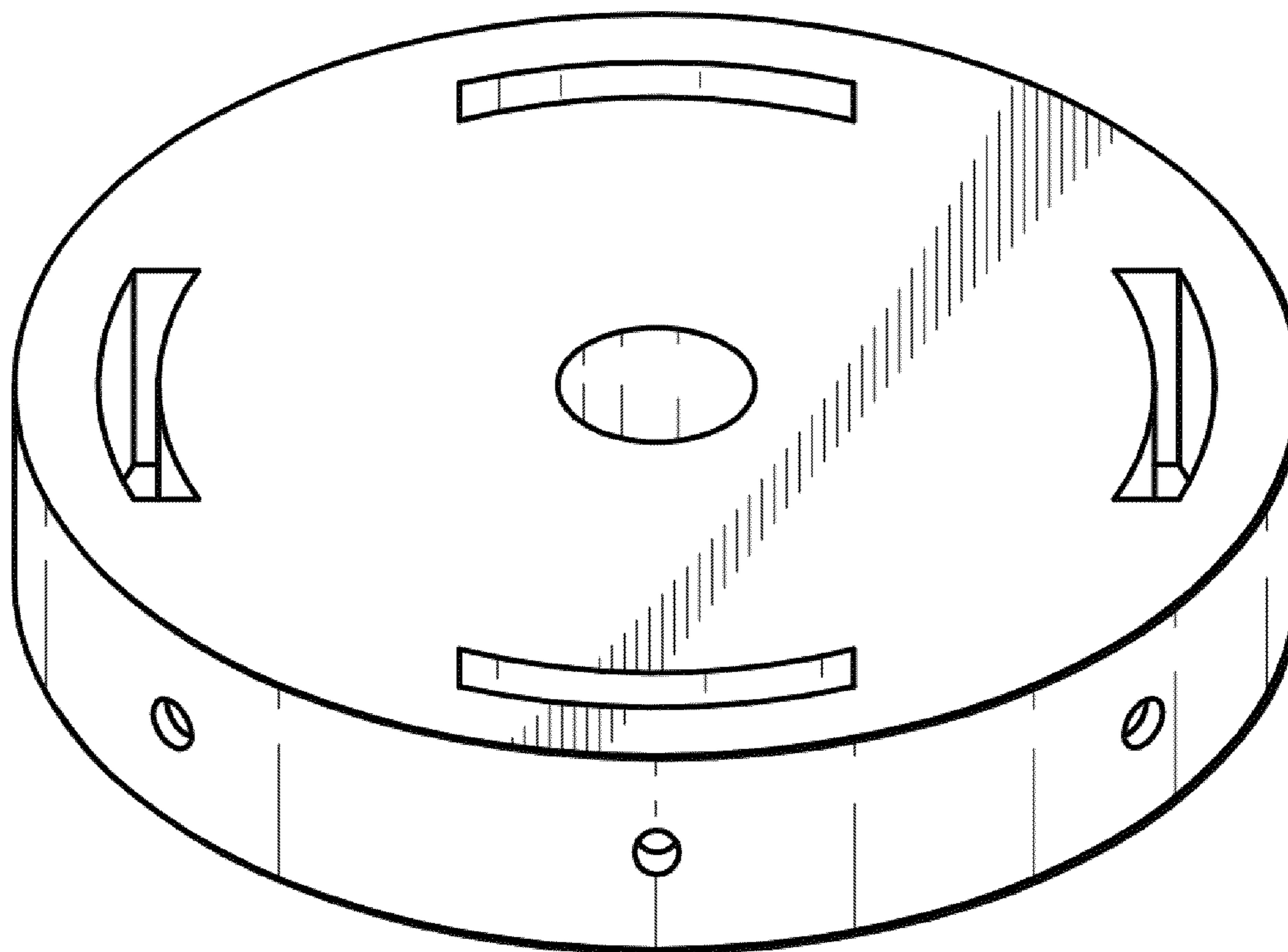
FIG. 1 is a top perspective view of a fragrance-emitting apparatus having features of the present invention; FIG. 2 is a bottom perspective view of the fragrance-emitting apparatus illustrated in FIG. 1; FIG. 3 is top view of the fragrance-emitting apparatus illustrated in FIG. 1; FIG. 4 is an end view of the fragrance-emitting apparatus illustrated in FIG. 1; and, FIG. 5 is a bottom view of the fragrance-emitting apparatus illustrated in FIG. 1.

(56) **References Cited**

U.S. PATENT DOCUMENTS

D656,599 S *	3/2012	Browder	D23/366
D662,583 S *	6/2012	Browder	D23/366
D663,406 S *	7/2012	Browder	D23/366

1 Claim, 2 Drawing Sheets



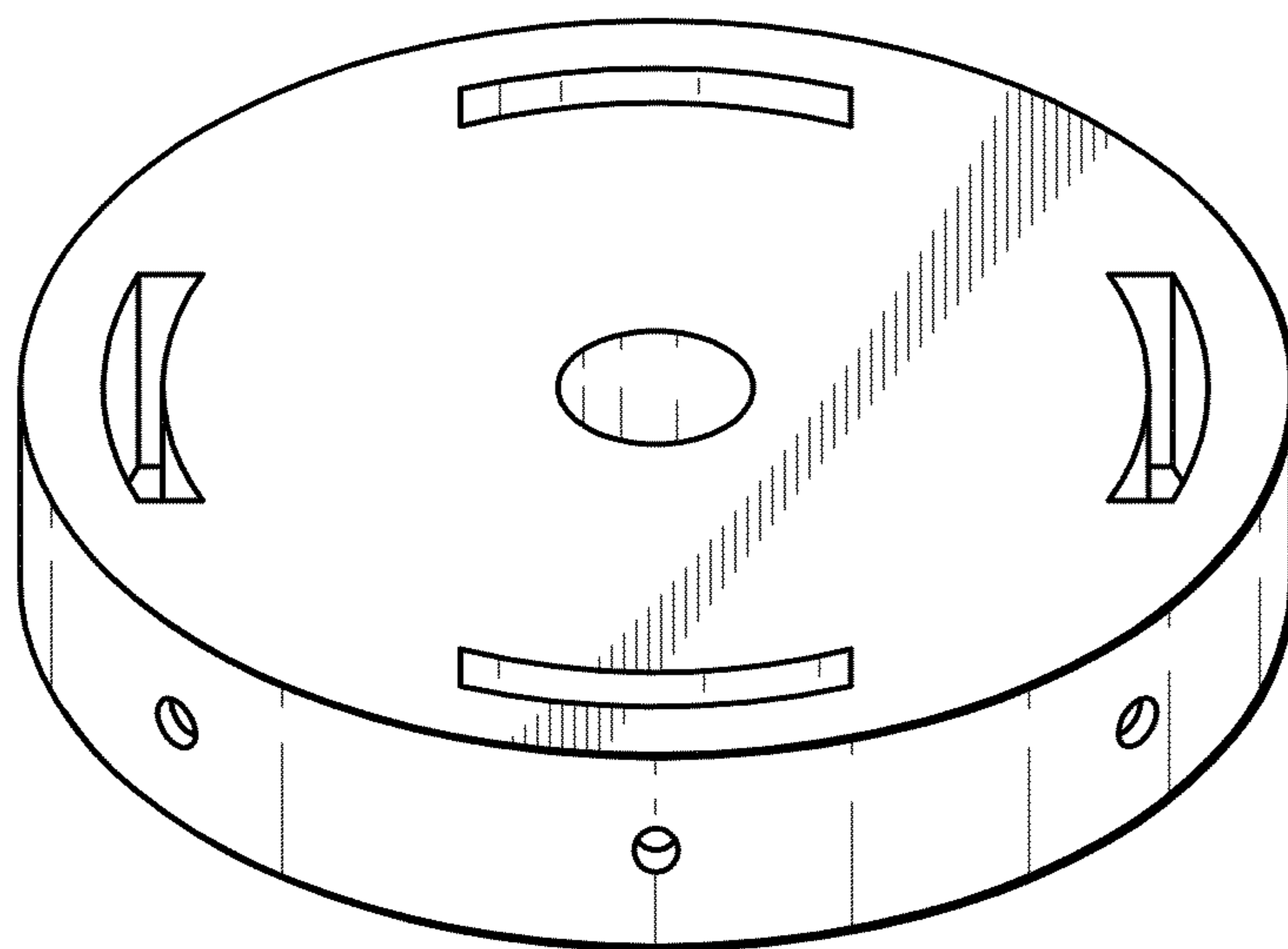


FIG. 1

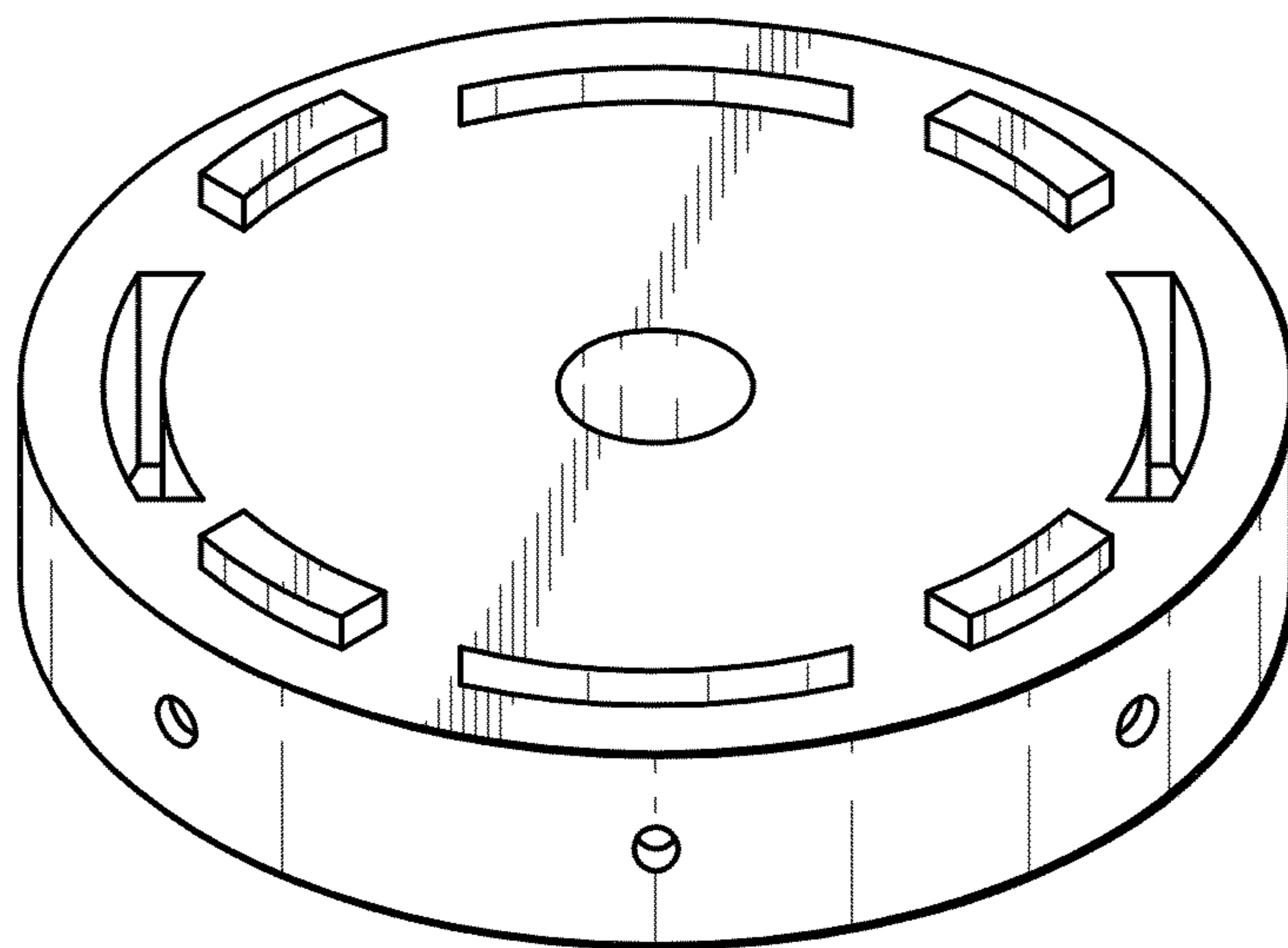


FIG. 2

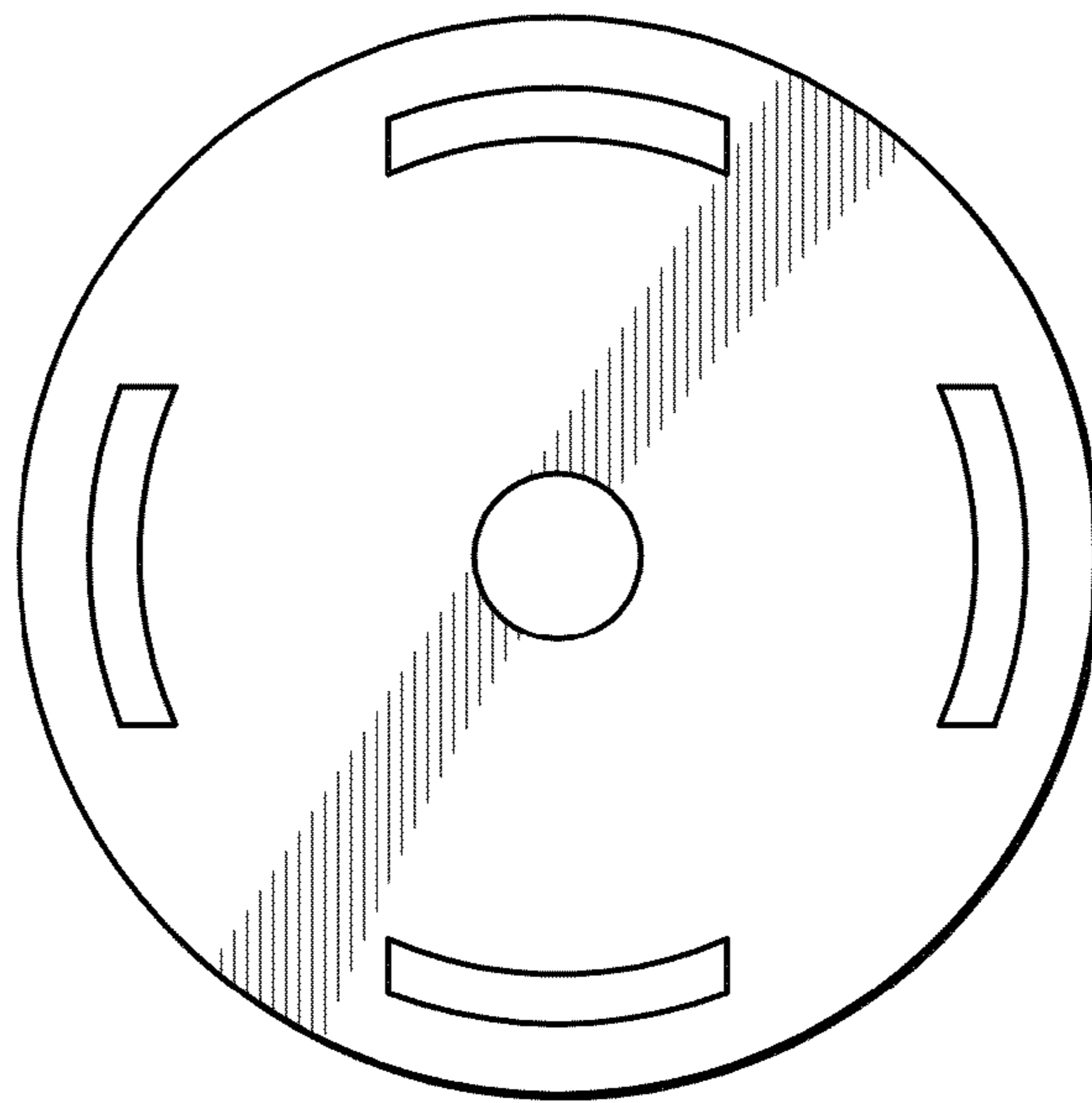


FIG. 3

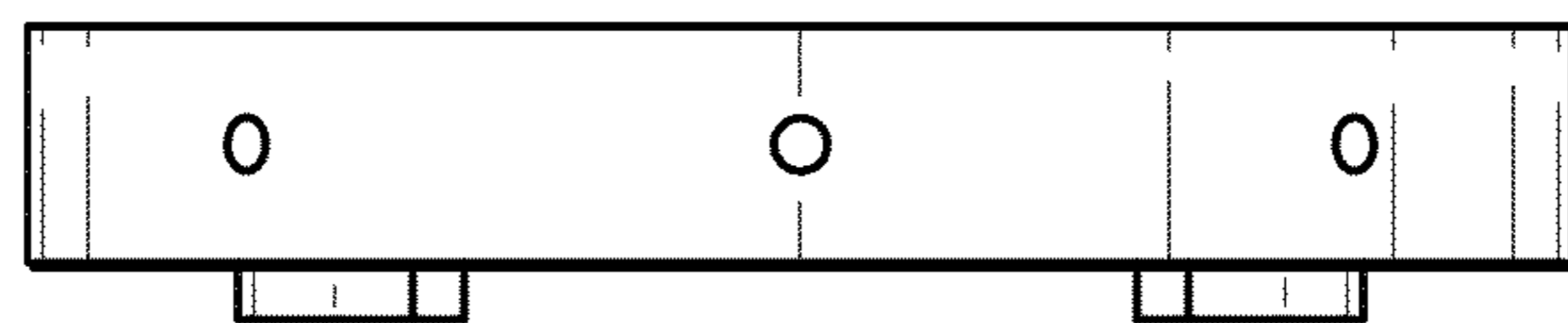


FIG. 4

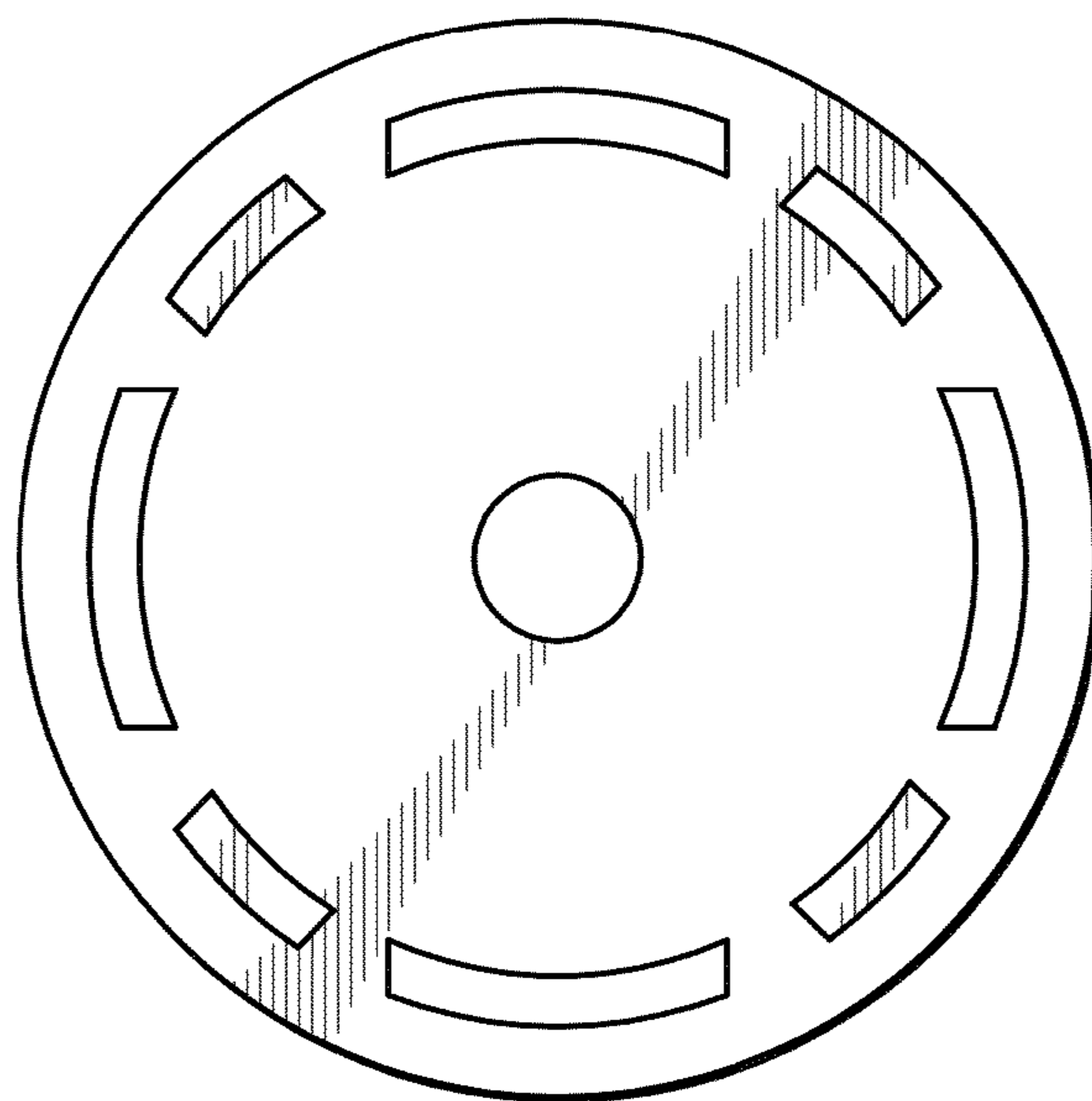


FIG. 5