



US00D716434S

(12) **United States Design Patent**  
**Newlin**

(10) **Patent No.:** **US D716,434 S**

(45) **Date of Patent:** **\*\* Oct. 28, 2014**

(54) **DEODORIZER**

(74) *Attorney, Agent, or Firm* — LaBatt, LLC

(71) Applicant: **Remodeez LLC**, Saratoga Springs, NY  
(US)

(72) Inventor: **Scott Newlin**, Brooklyn, NY (US)

(73) Assignee: **Remodeez LLC**, Charlotte, NC (US)

(\*\*) Term: **14 Years**

(21) Appl. No.: **29/484,965**

(22) Filed: **Mar. 14, 2014**

(51) **LOC (10) Cl.** ..... **28-99**

(52) **U.S. Cl.**  
CPC ..... **A61L 9/01** (2013.01)  
USPC ..... **D23/366**

(58) **Field of Classification Search**  
CPC ..... A61L 9/00; A61L 9/02; A61L 9/03;  
A61L 9/032; A61L 9/035; A61L 9/037;  
A61L 9/04; A61L 9/012; A61L 9/022  
USPC ..... D23/355–369; D28/5, 6; 261/DIG. 17,  
261/DIG. 42, DIG. 65, DIG. 88, DIG. 89;  
392/386, 390, 394, 395; 239/34, 44,  
239/53, 55, 56, 326  
See application file for complete search history.

(56) **References Cited**

U.S. PATENT DOCUMENTS

D357,330	S	*	4/1995	Wong et al.	.....	D26/51
D445,493	S	*	7/2001	Nystrom	.....	D23/355
D510,422	S	*	10/2005	Schriner et al.	.....	D23/366
D560,788	S	*	1/2008	Farrell et al.	.....	D23/366
D582,534	S	*	12/2008	Conway et al.	.....	D23/366
D593,669	S	*	6/2009	Daelemans et al.	.....	D23/366
D611,581	S	*	3/2010	Jorgensen	.....	D23/366
2008/0253755	A1	*	10/2008	Smith et al.	.....	392/386

\* cited by examiner

*Primary Examiner* — Sandra Snapp

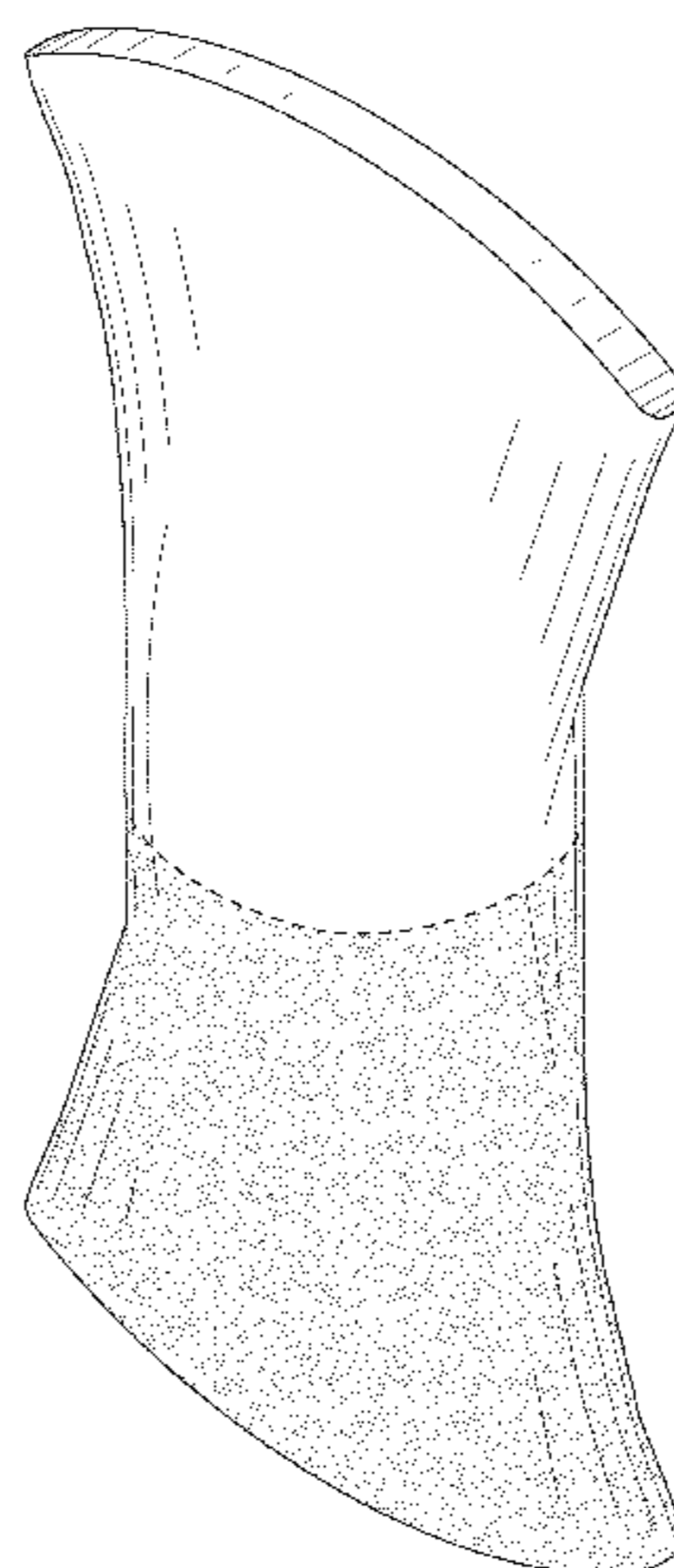
(57) **CLAIM**

The ornamental design for a deodorizer, as shown and described.

**DESCRIPTION**

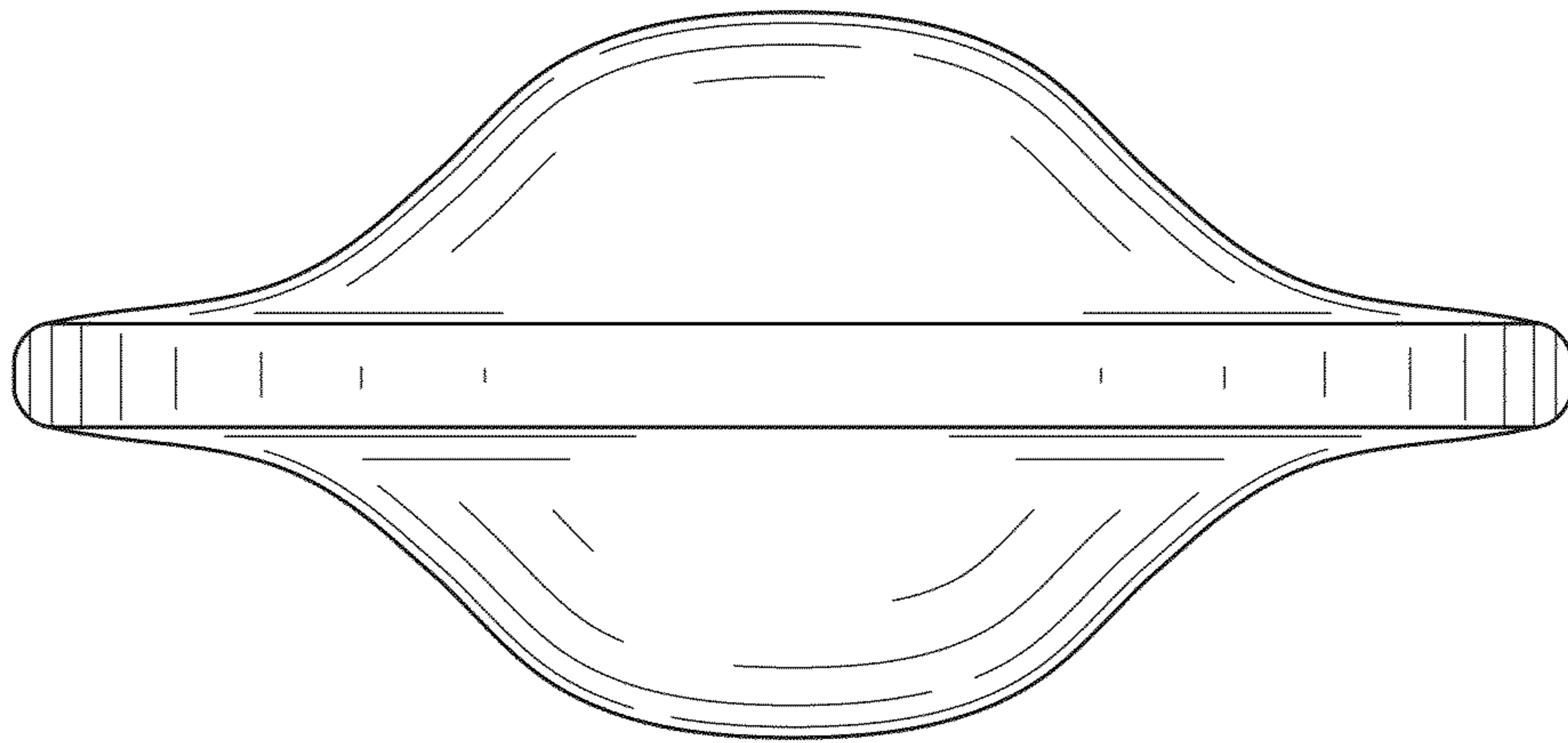
FIG. 1 is a top, front, left side perspective view of a first embodiment of a deodorizer according to the present design. FIG. 2 is a top plan view of the deodorizer shown in FIG. 1, the bottom view is identical to the top plan view. FIG. 3 is a front elevation view of the deodorizer shown in FIG. 1, the rear elevation view is identical to the front elevation view. FIG. 4 is a left side elevation view of the deodorizer shown in FIG. 1, the right side elevation view is identical to the left side elevation view. FIG. 5 is a top, front, left side perspective view of a second embodiment of a deodorizer according to the present design. FIG. 6 is a top plan view of the deodorizer shown in FIG. 5. FIG. 7 is a front elevation view of the deodorizer shown in FIG. 5, the rear elevation view is identical to the front elevation view. FIG. 8 is a left side elevation view of the deodorizer shown in FIG. 5, the right side elevation view is identical to the left side elevation view; and, FIG. 9 is a bottom view of the deodorizer shown in FIG. 5. The broken lines immediately adjacent to the shaded areas in FIGS. 5, 7, and 8 represent unclaimed boundaries between contrasting areas of the design. The contrast in shading in FIGS. 5, 7, and 8 represents a contrast in appearance only and does not represent any particular color, material, texture, or finish.

**1 Claim, 9 Drawing Sheets**

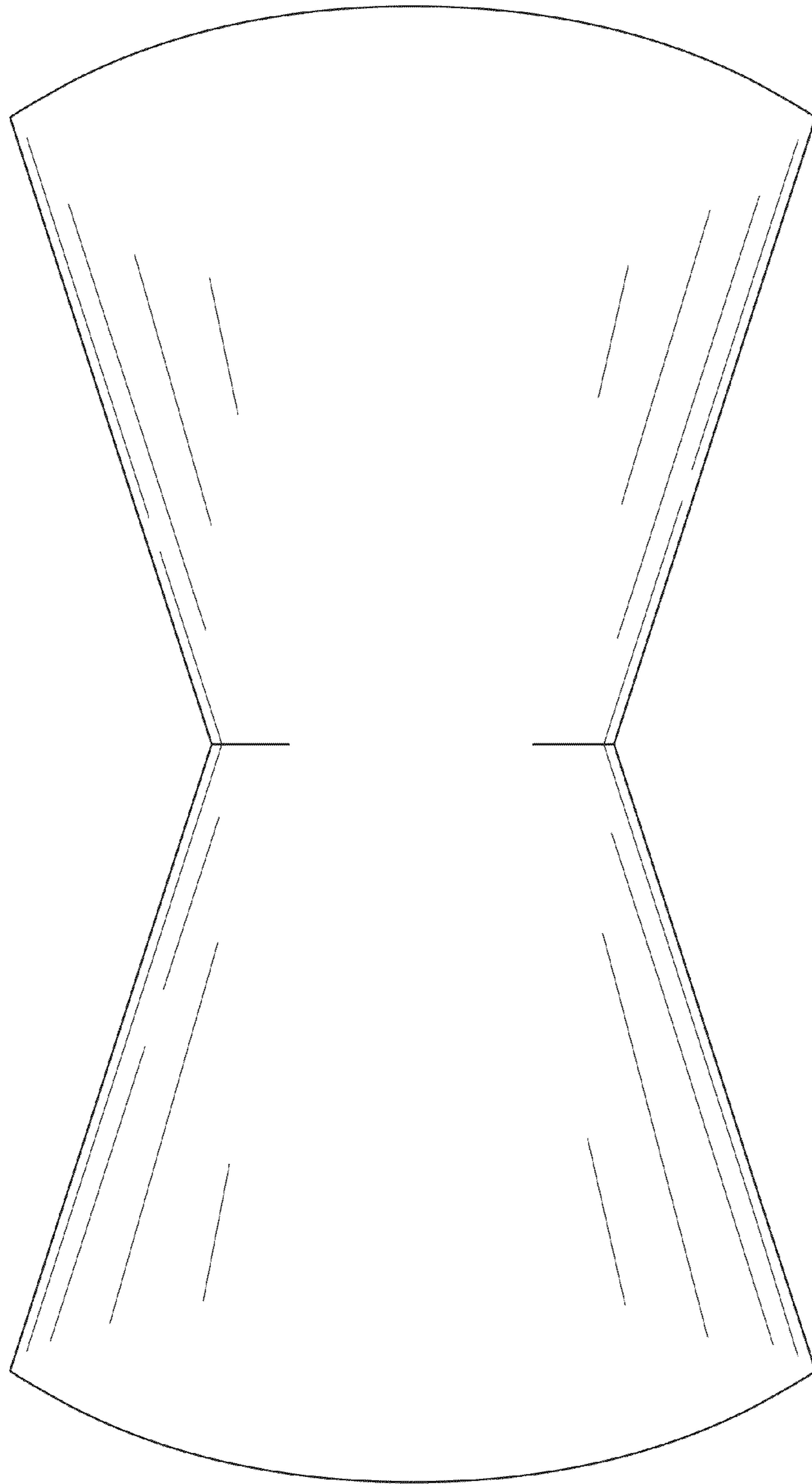




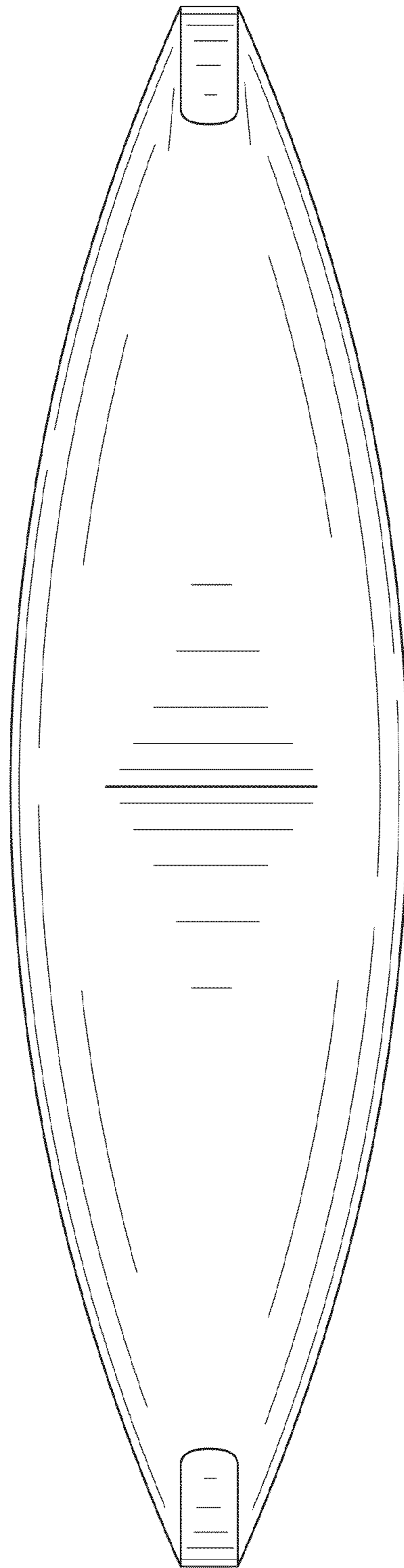
***FIG. 1***



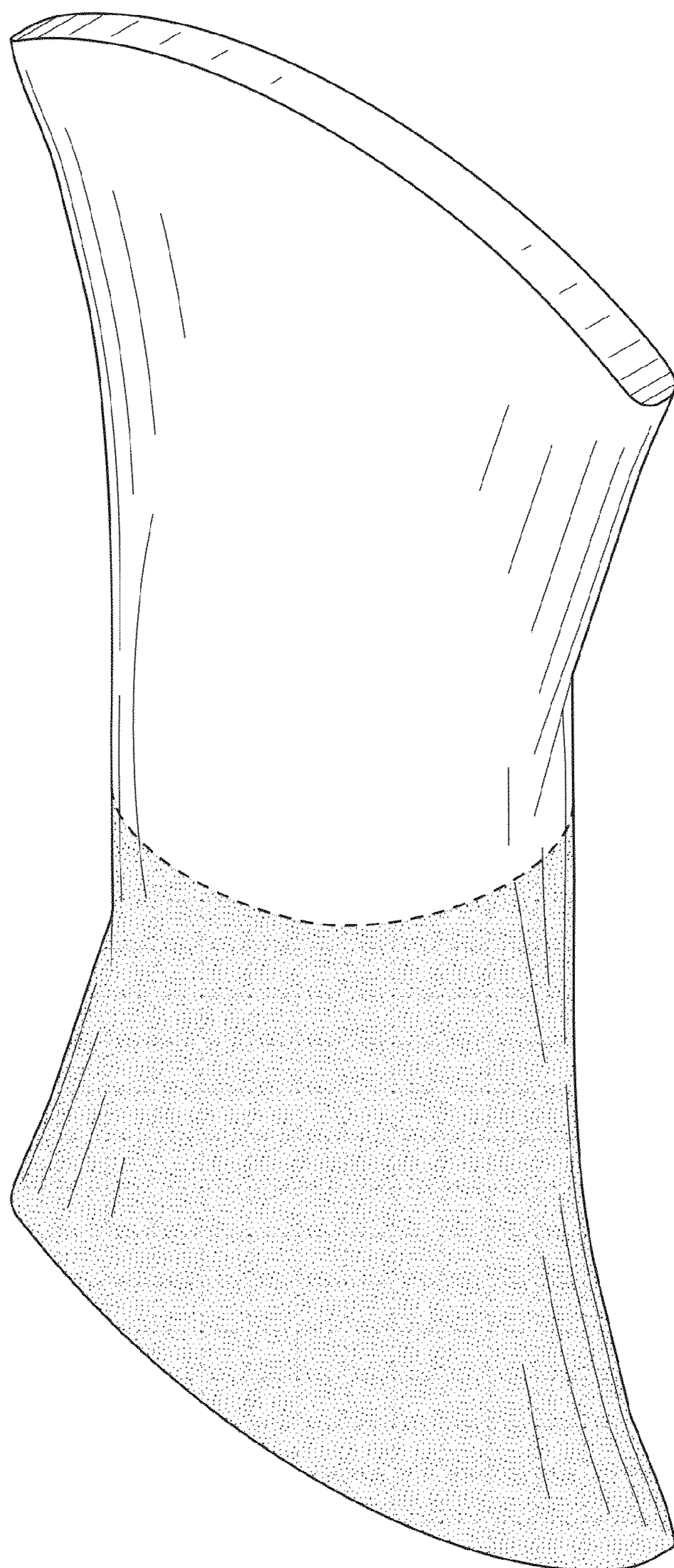
**FIG. 2**



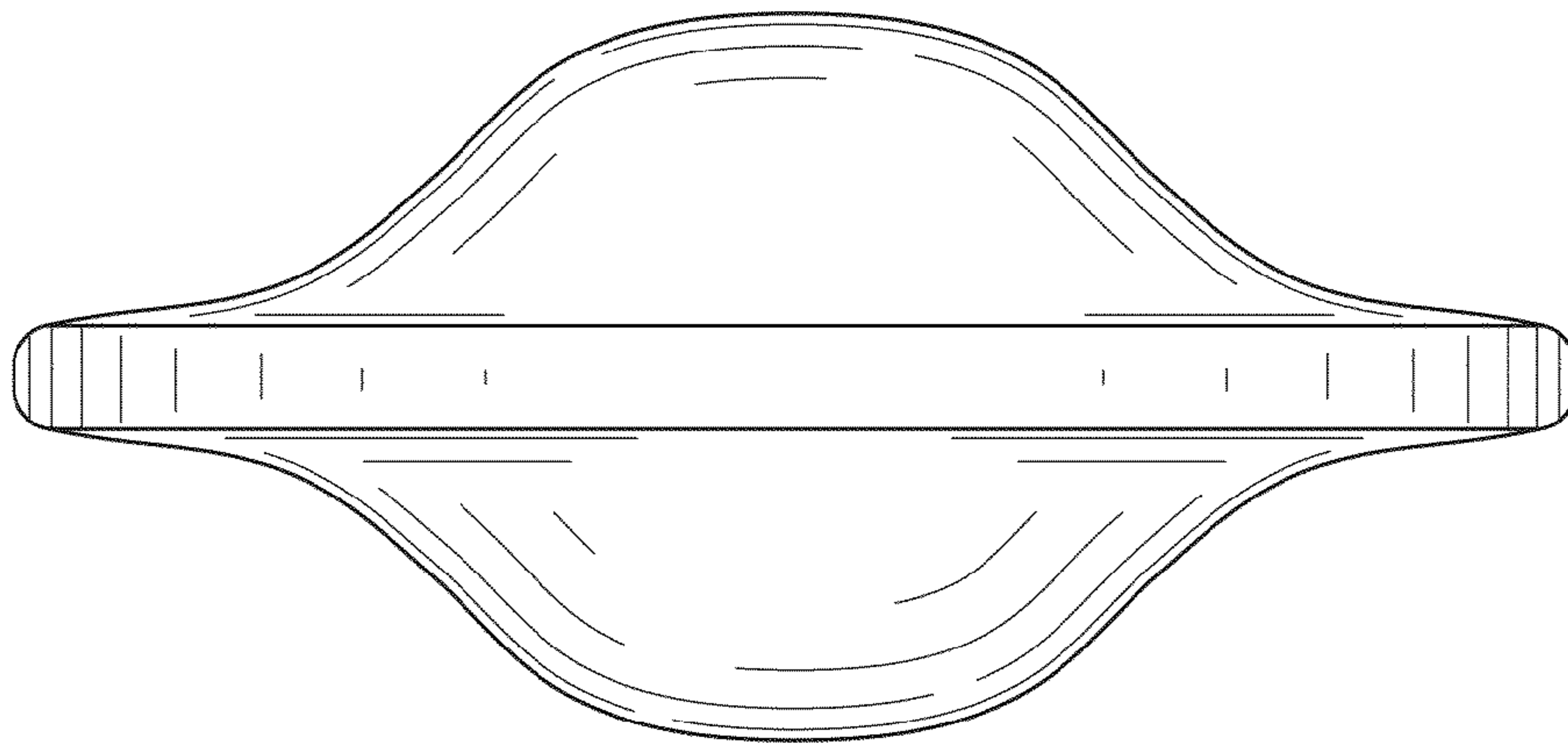
**FIG. 3**



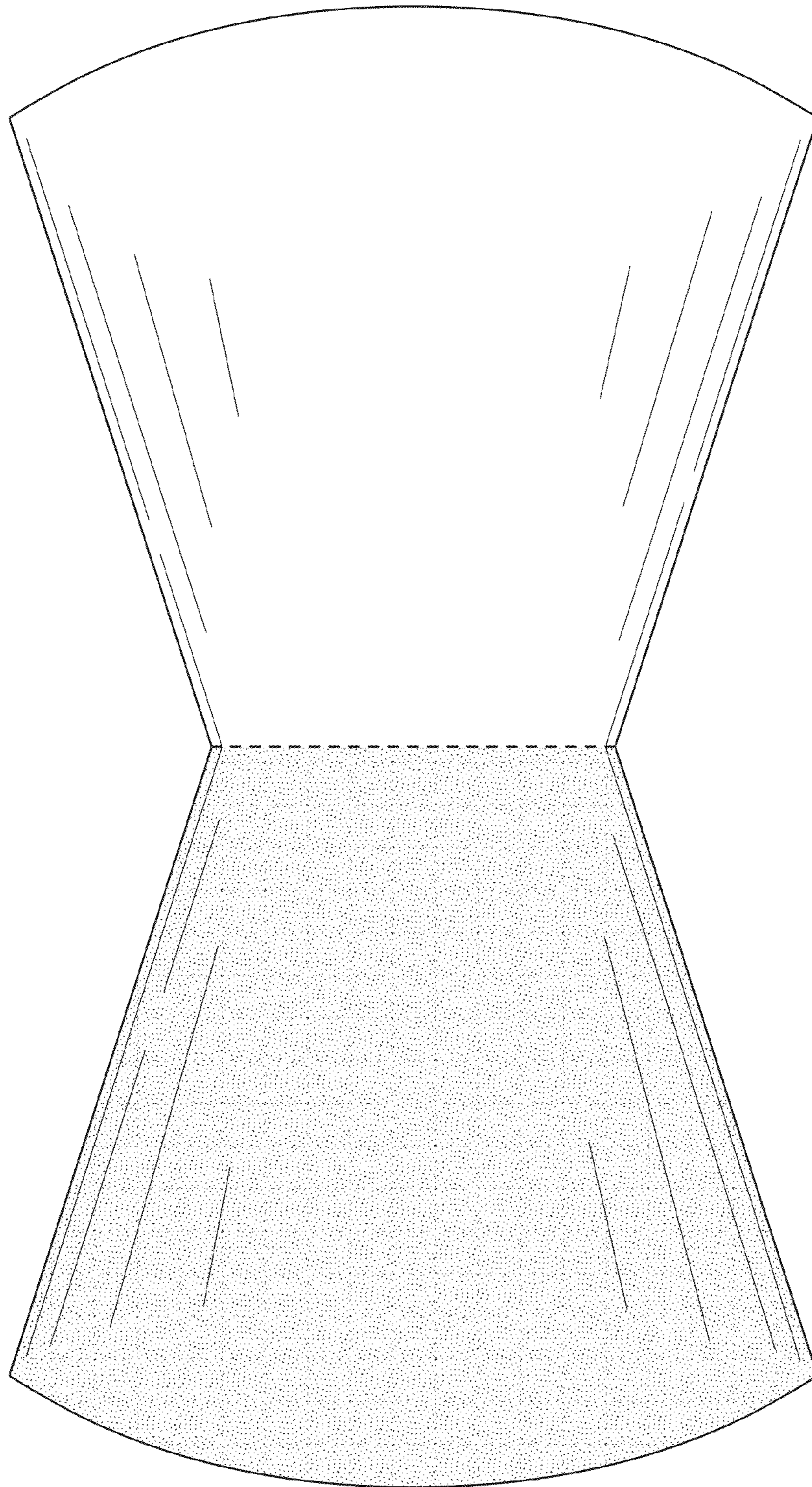
**FIG. 4**



**FIG. 5**

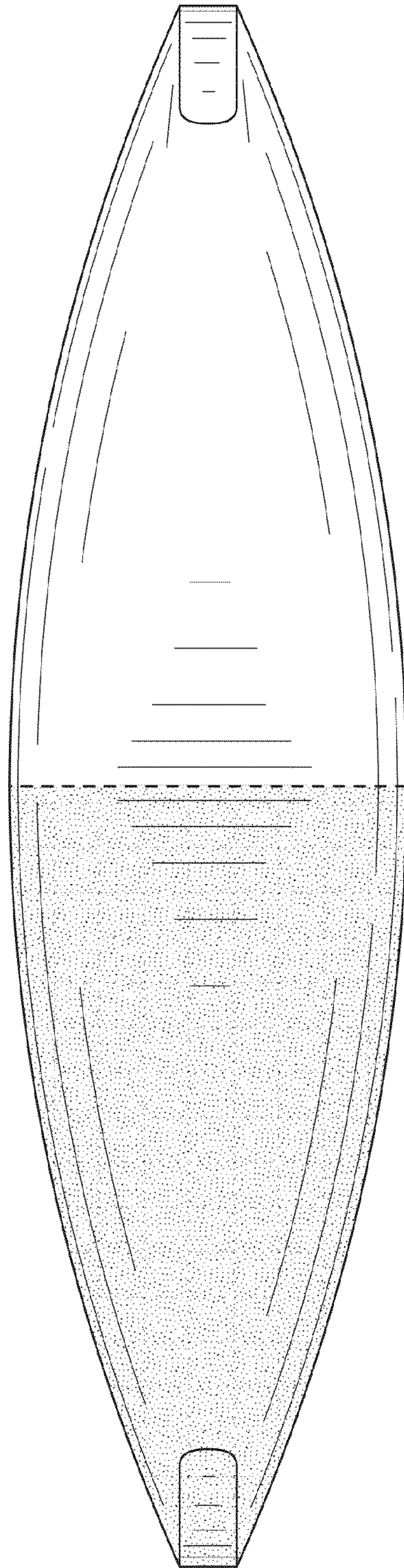


***FIG. 6***

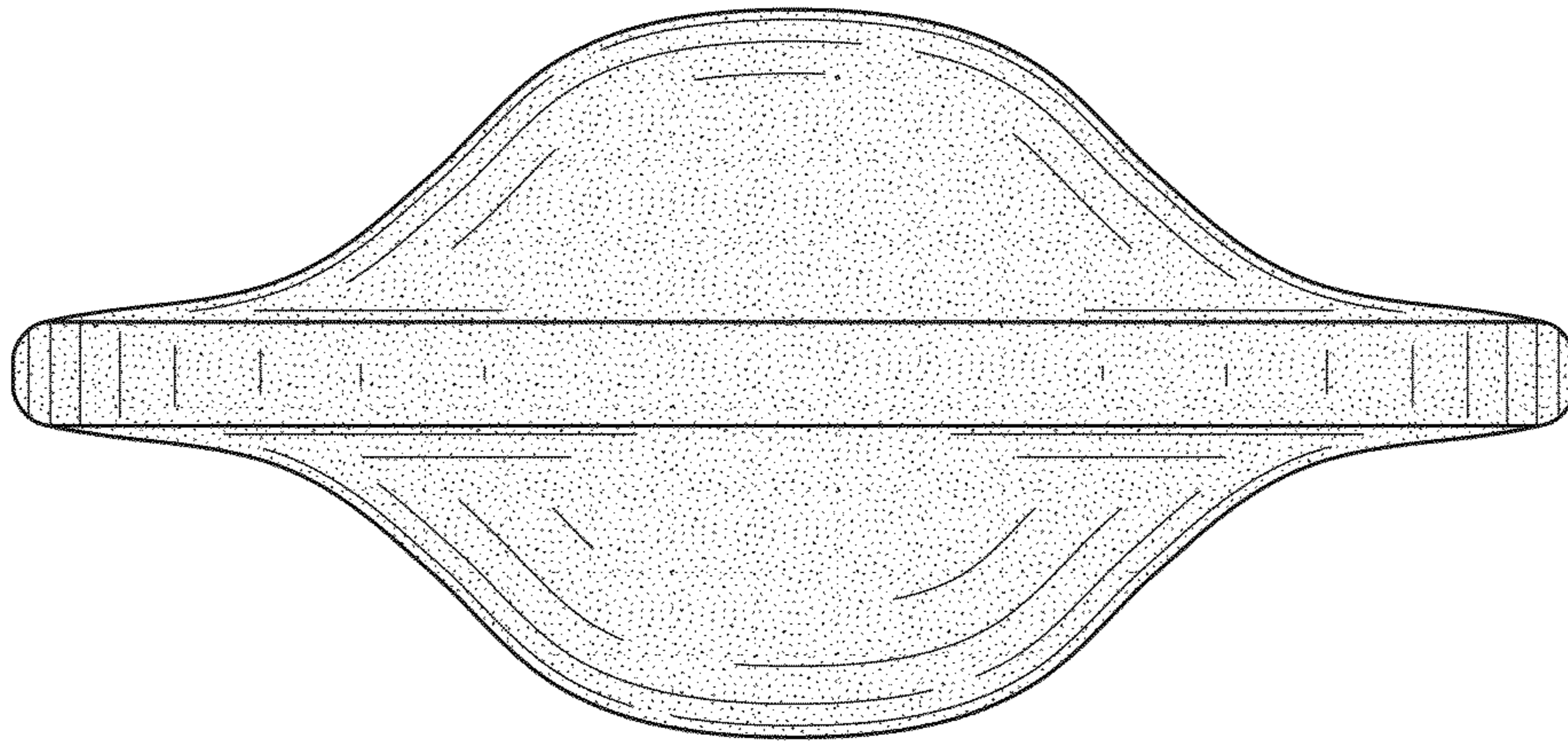


**FIG. 7**





**FIG. 8**



***FIG. 9***