



US00D716433S

(12) **United States Design Patent**
Milon et al.

(10) **Patent No.:** **US D716,433 S**
(45) **Date of Patent:** **** Oct. 28, 2014**

(54) **SCENT CARTRIDGE**

(71) Applicant: **Vapor Communications, Inc.**,
Cambridge, MA (US)

(72) Inventors: **Laurent Milon**, Paris (FR); **Baptiste Viala**, Paris (FR)

(73) Assignee: **Vapor Communications, Inc.**,
Cambridge, MA (US)

(**) Term: **14 Years**

(21) Appl. No.: **29/483,226**

(22) Filed: **Feb. 26, 2014**

(51) **LOC (10) Cl.** **28-99**

(52) **U.S. Cl.**
CPC **A61L 9/03** (2013.01)
USPC **D23/366**

(58) **Field of Classification Search**
CPC A61L 9/00; A61L 9/02; A61L 9/03;
A61L 9/032; A61L 9/035; A61L 9/037;
A61L 9/04; A61L 9/012; A61L 9/022
USPC D23/355-369; D28/5, 6; 261/DIG. 17,
261/DIG. 42, DIG. 65, DIG. 88, DIG. 89;
392/386, 390, 394, 395; 239/34, 44,
239/53, 55, 56, 326
See application file for complete search history.

(56) **References Cited**

U.S. PATENT DOCUMENTS

4,968,456 A * 11/1990 Muderlak et al. 422/122
D315,789 S * 3/1991 Muderlak D23/366
7,824,627 B2 * 11/2010 Michaels et al. 422/128

* cited by examiner

Primary Examiner — Sandra Snapp

(74) *Attorney, Agent, or Firm* — Seed IP Law Group PLLC

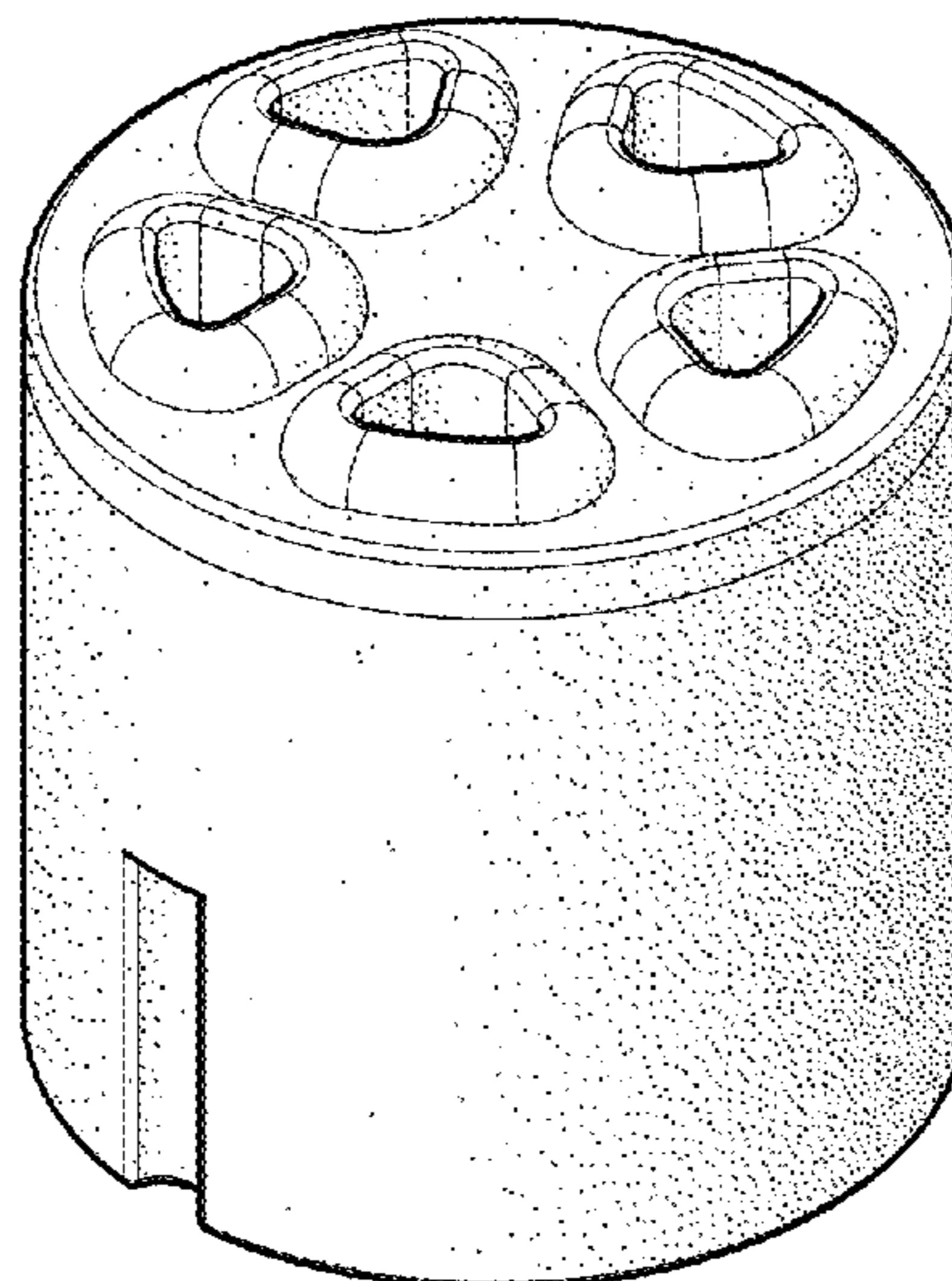
(57) **CLAIM**

The ornamental design for a scent cartridge, as shown and described.

DESCRIPTION

FIG. 1 is front right side perspective view, from the top, of a scent cartridge showing an embodiment of our new design. FIG. 2 is a rear left side perspective view, from the bottom, thereof. FIG. 3 is a top plan view thereof. FIG. 4 is a bottom plan view thereof. FIG. 5 is a right side elevational view thereof, the left side elevational view being a mirror image thereof. FIG. 6 is a front elevational view thereof. FIG. 7 is a rear elevational view thereof. FIG. 8 is a front right side perspective view, from the top, of a scent cartridge showing another embodiment of our new design. FIG. 9 is a rear left side perspective view, from the bottom, thereof. FIG. 10 is a top plan view thereof. FIG. 11 is a bottom plan view thereof. FIG. 12 is a right side elevational view thereof, the left side elevational view being a mirror image thereof. FIG. 13 is a front elevational view thereof; and, FIG. 14 is a rear elevational view thereof. Stippling and contour lines shown in the drawings are intended to represent the approximate three-dimensional contours of the design, and are not intended to indicate surface decoration. The broken lines in the figures are for illustrative purposes only and form no part of the claimed design.

1 Claim, 4 Drawing Sheets



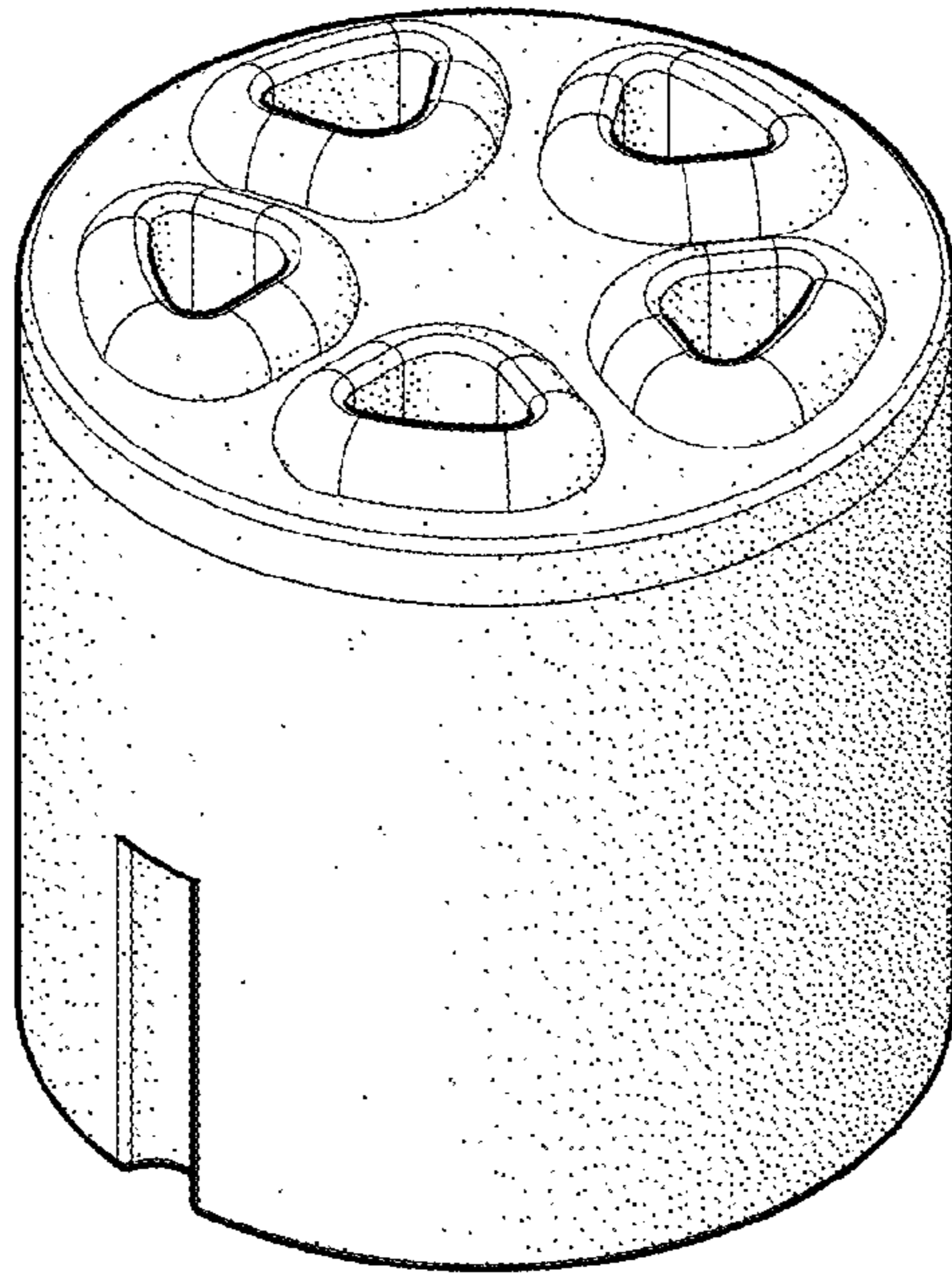


FIG. 1

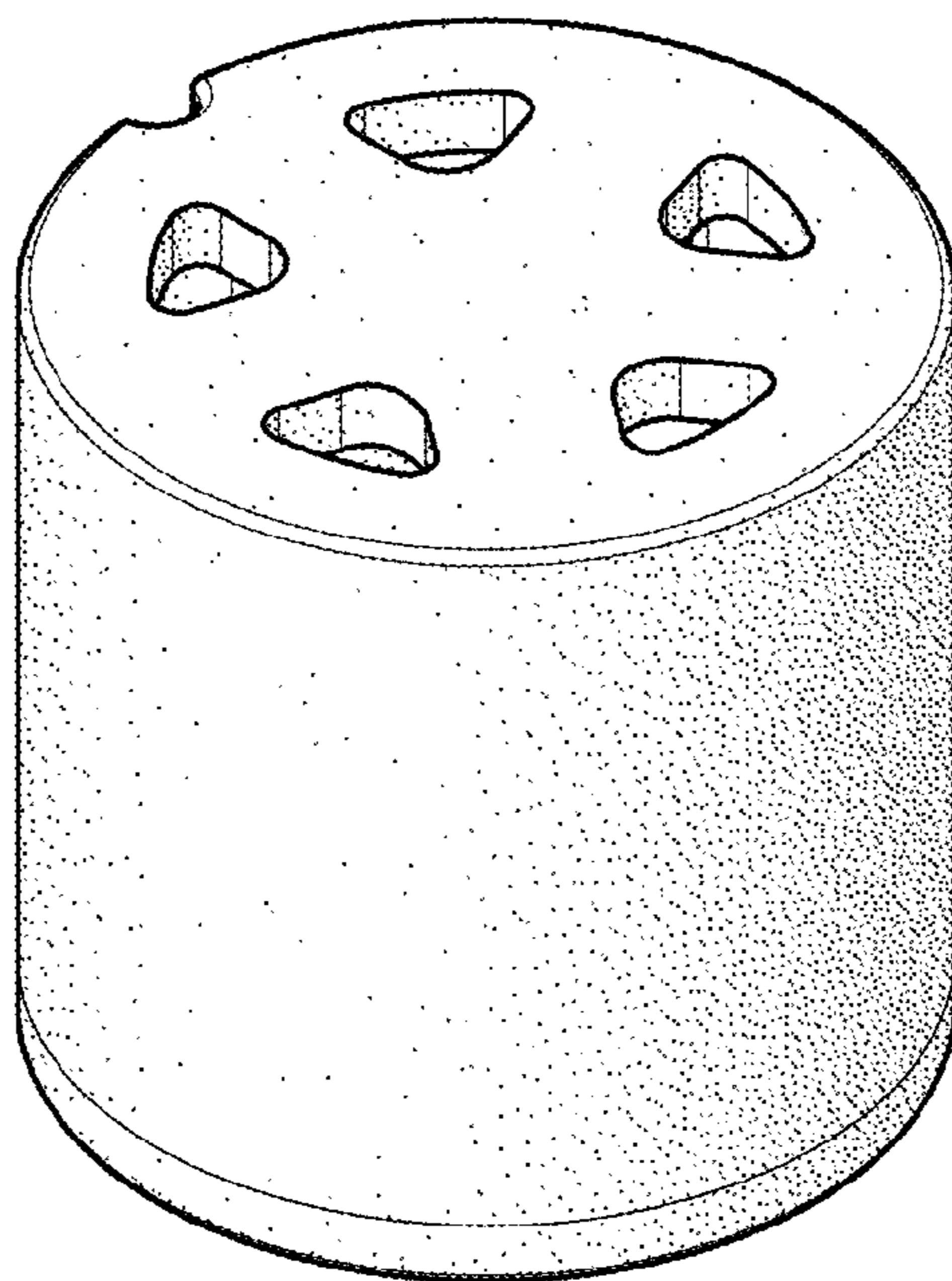


FIG. 2

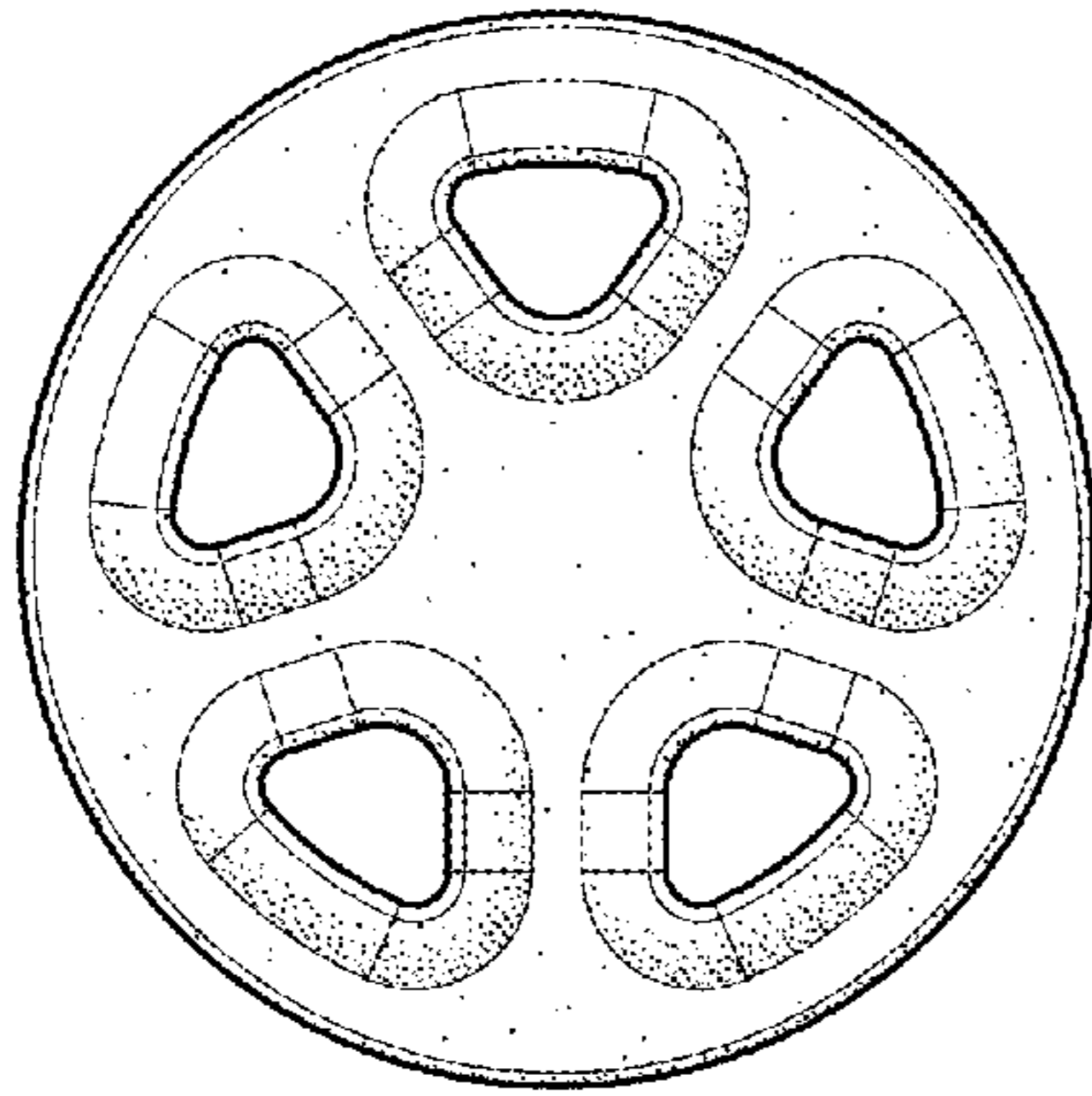


FIG. 3

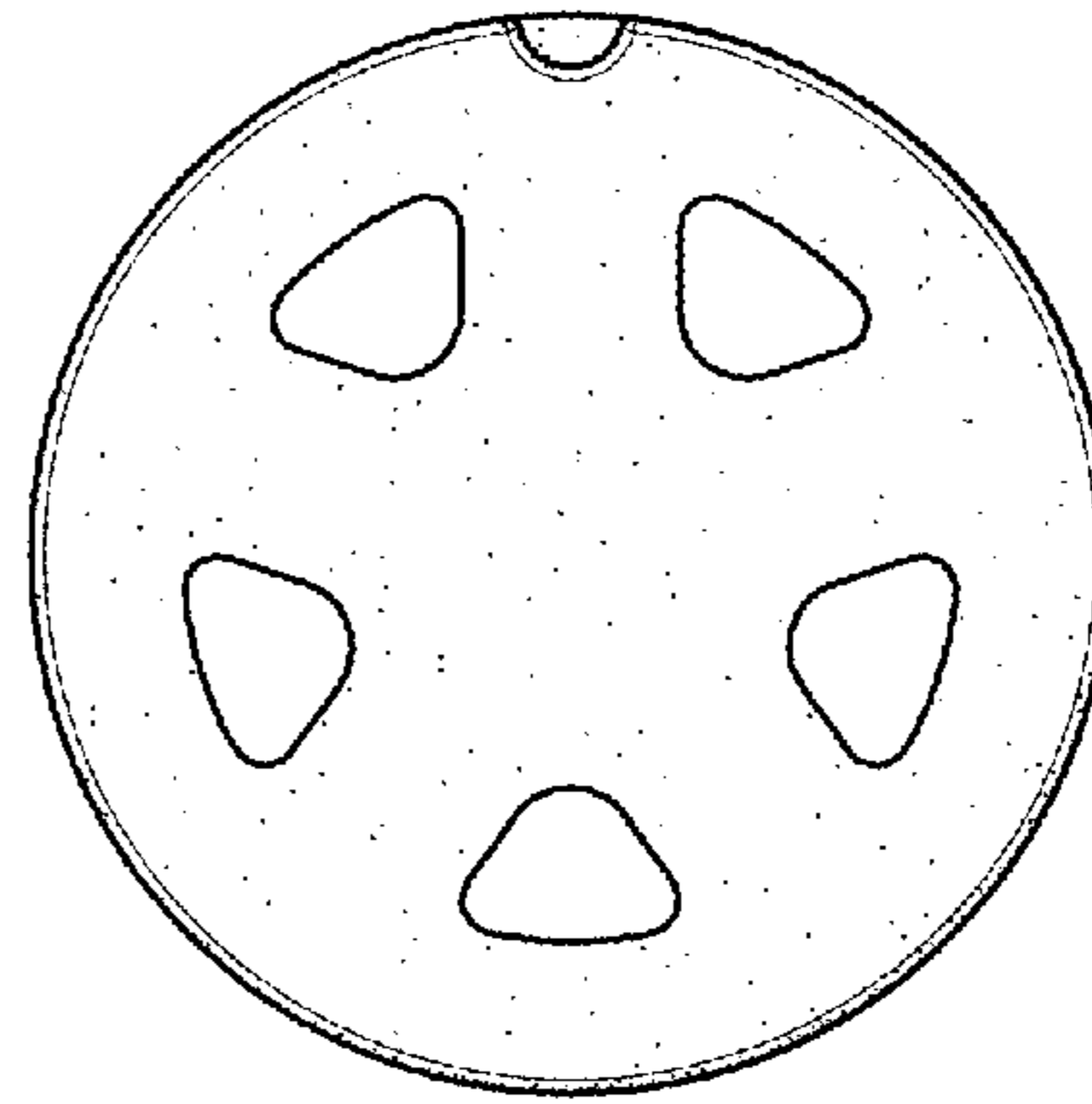


FIG. 4

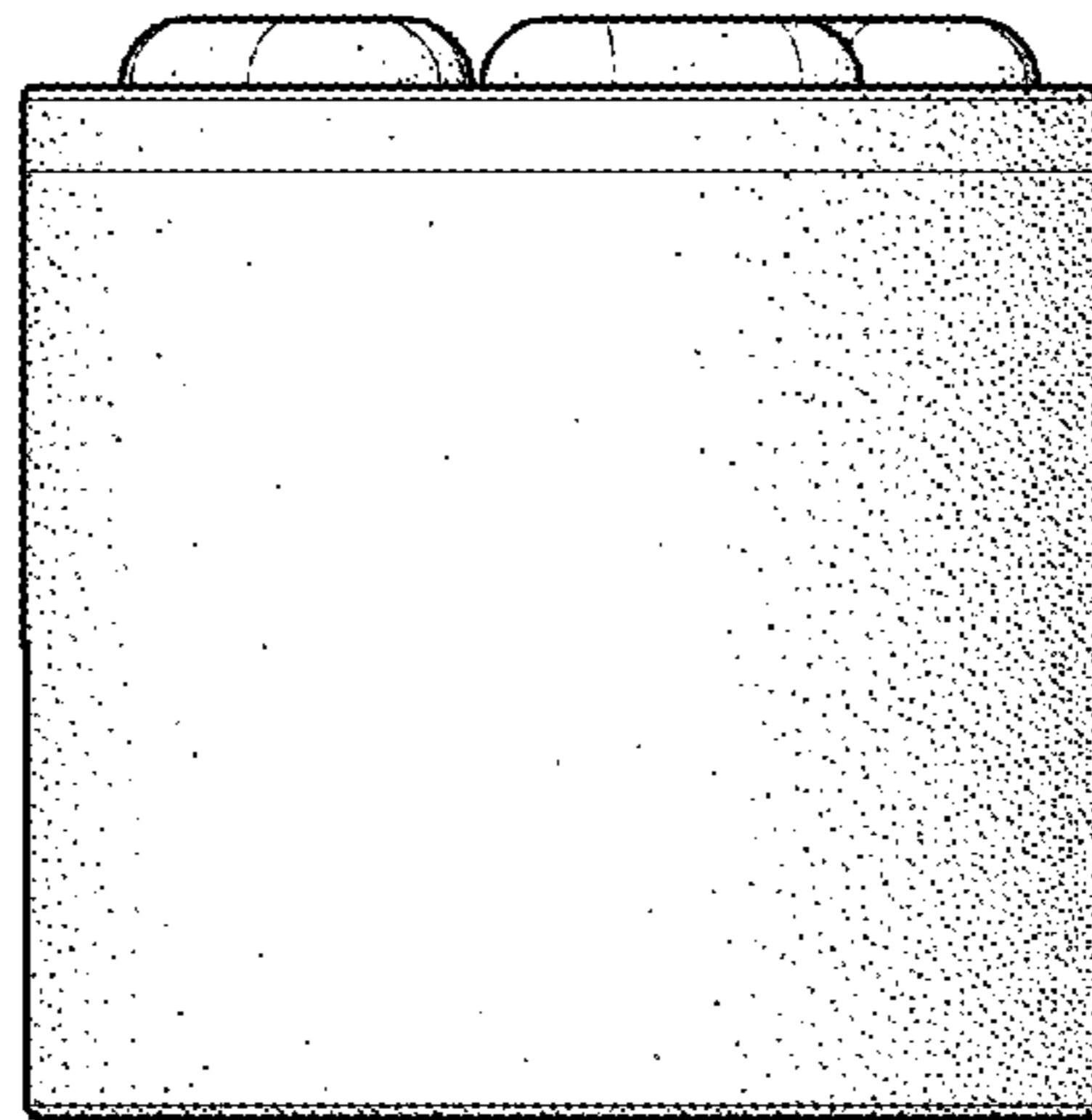


FIG. 5

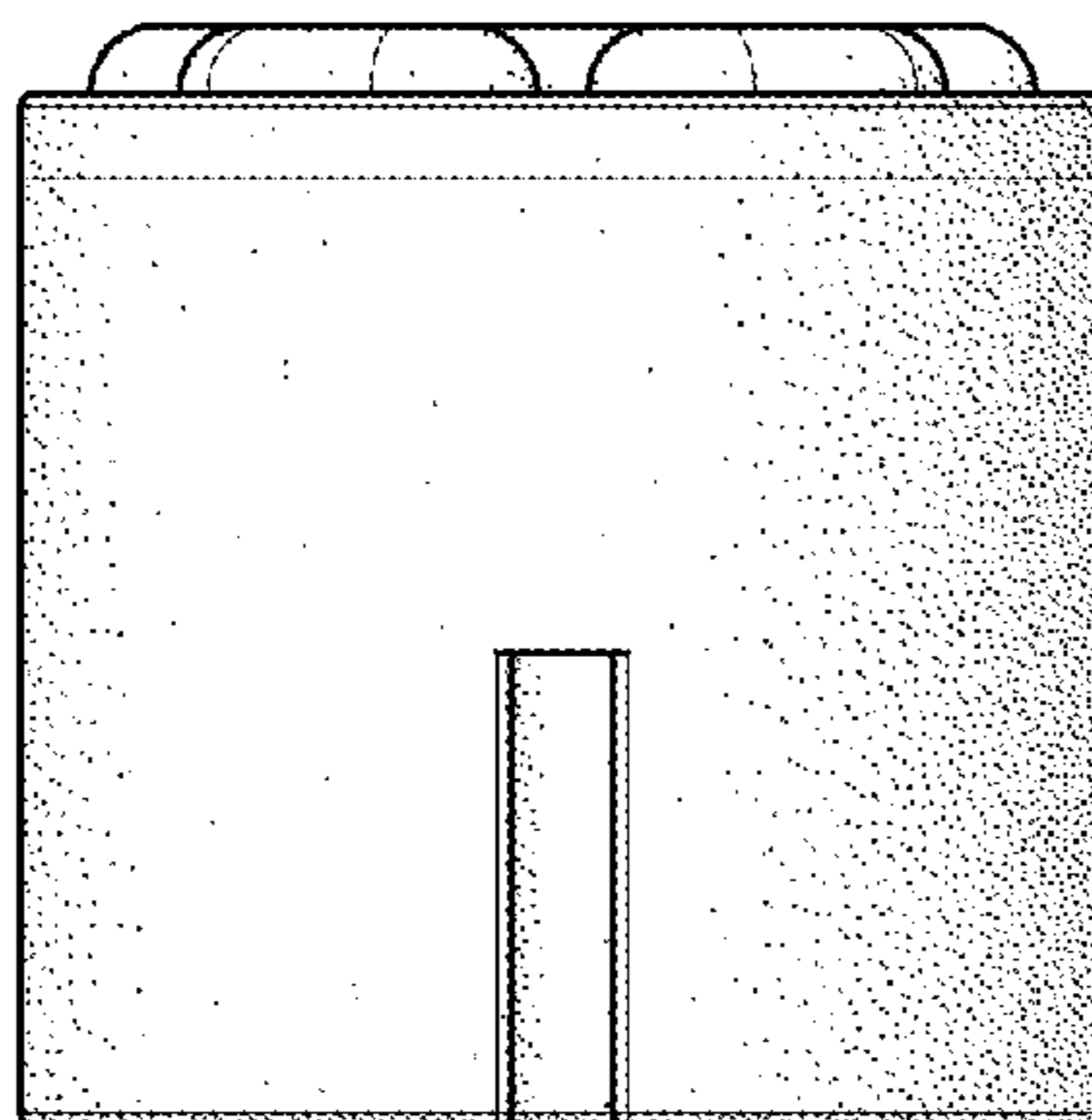


FIG. 6

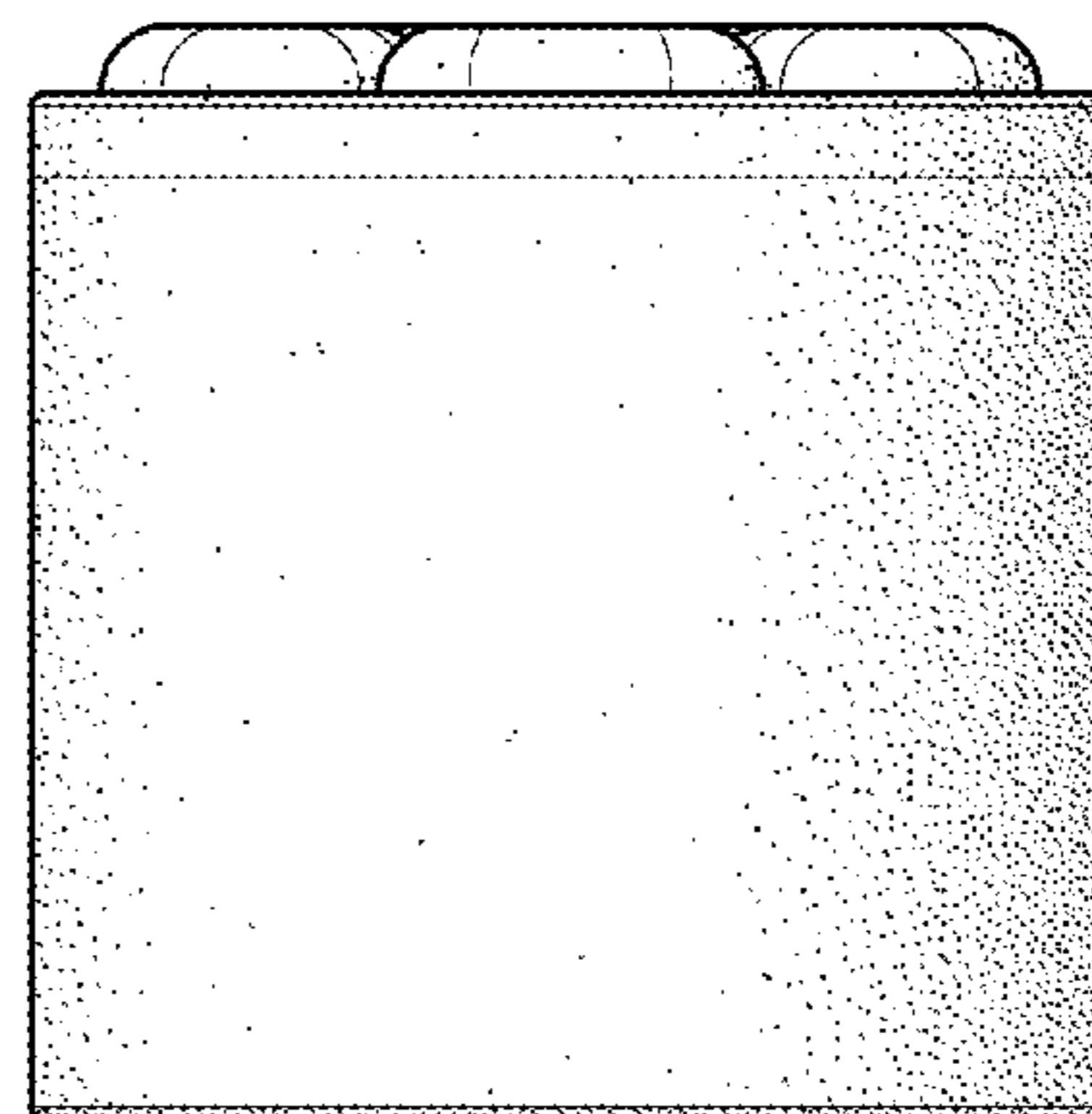


FIG. 7

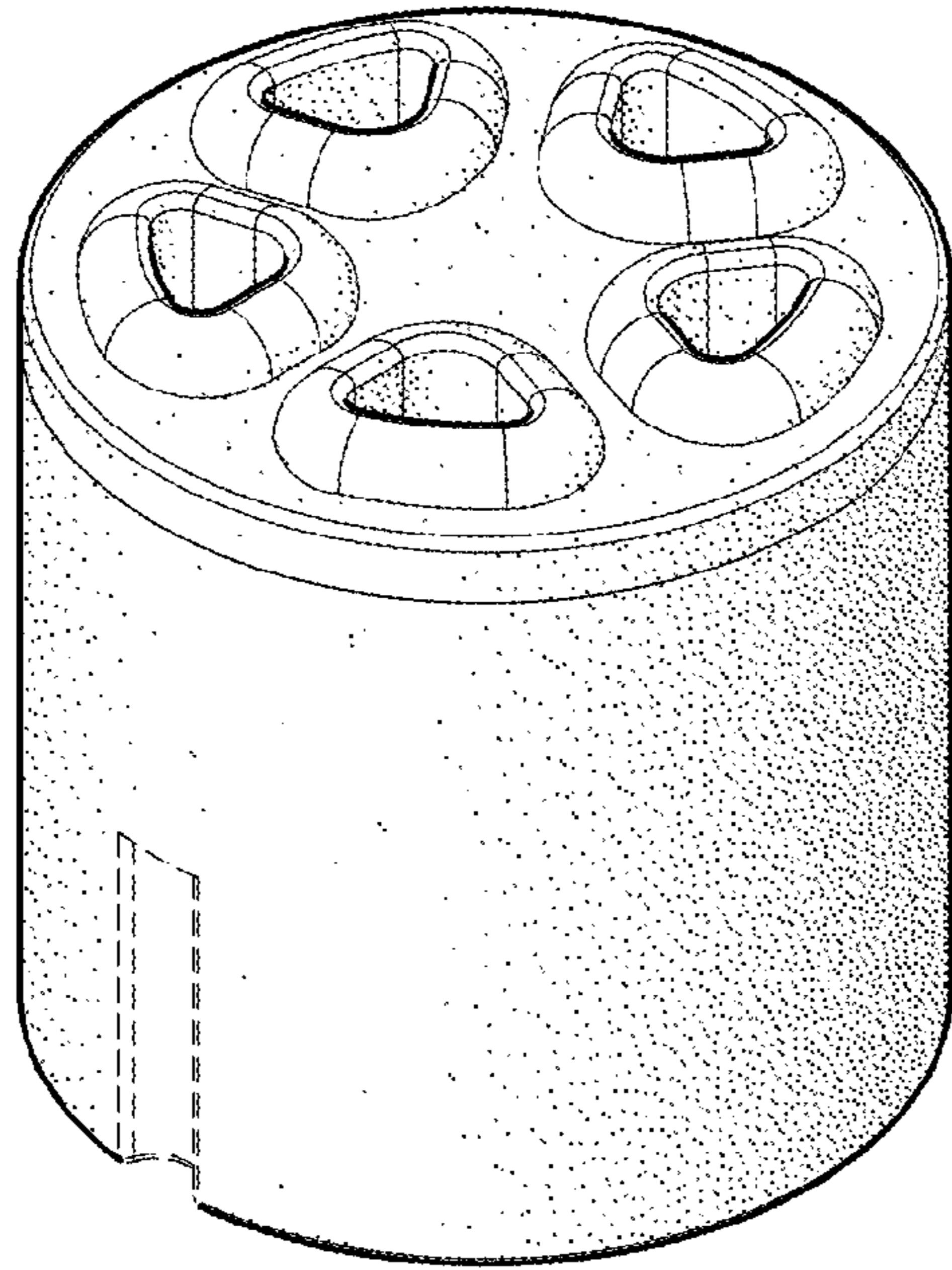


FIG. 8

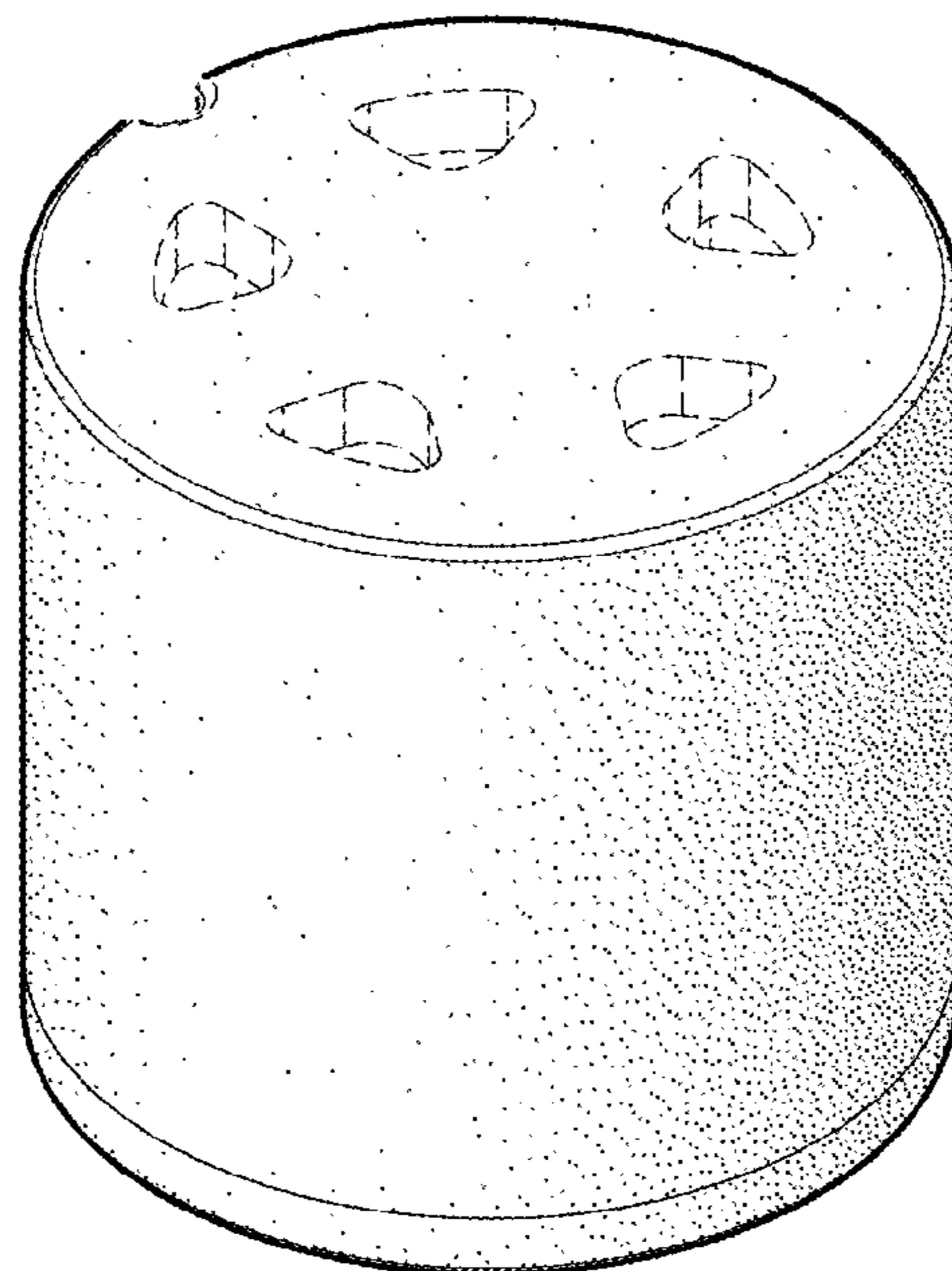


FIG. 9

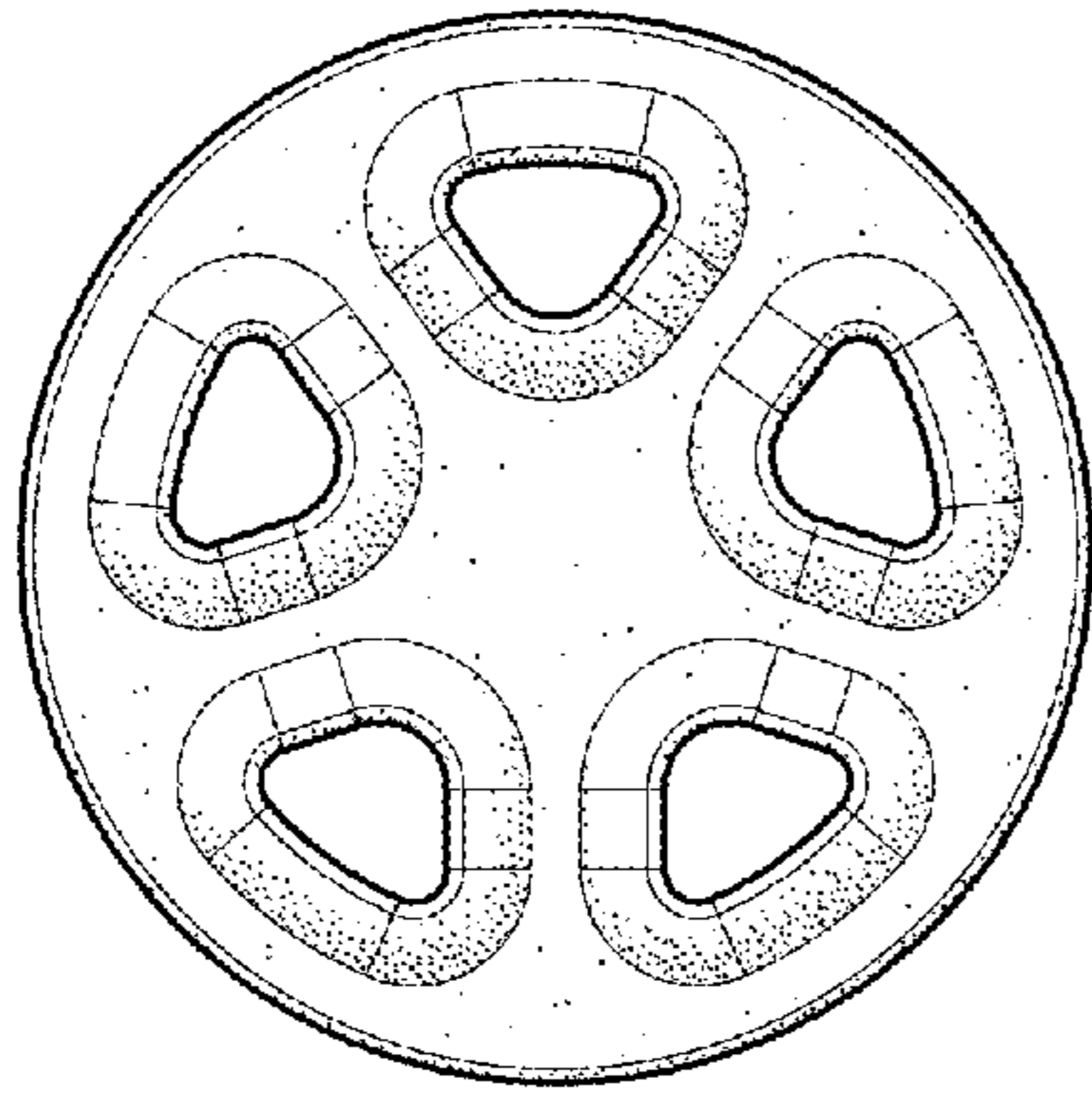


FIG. 10

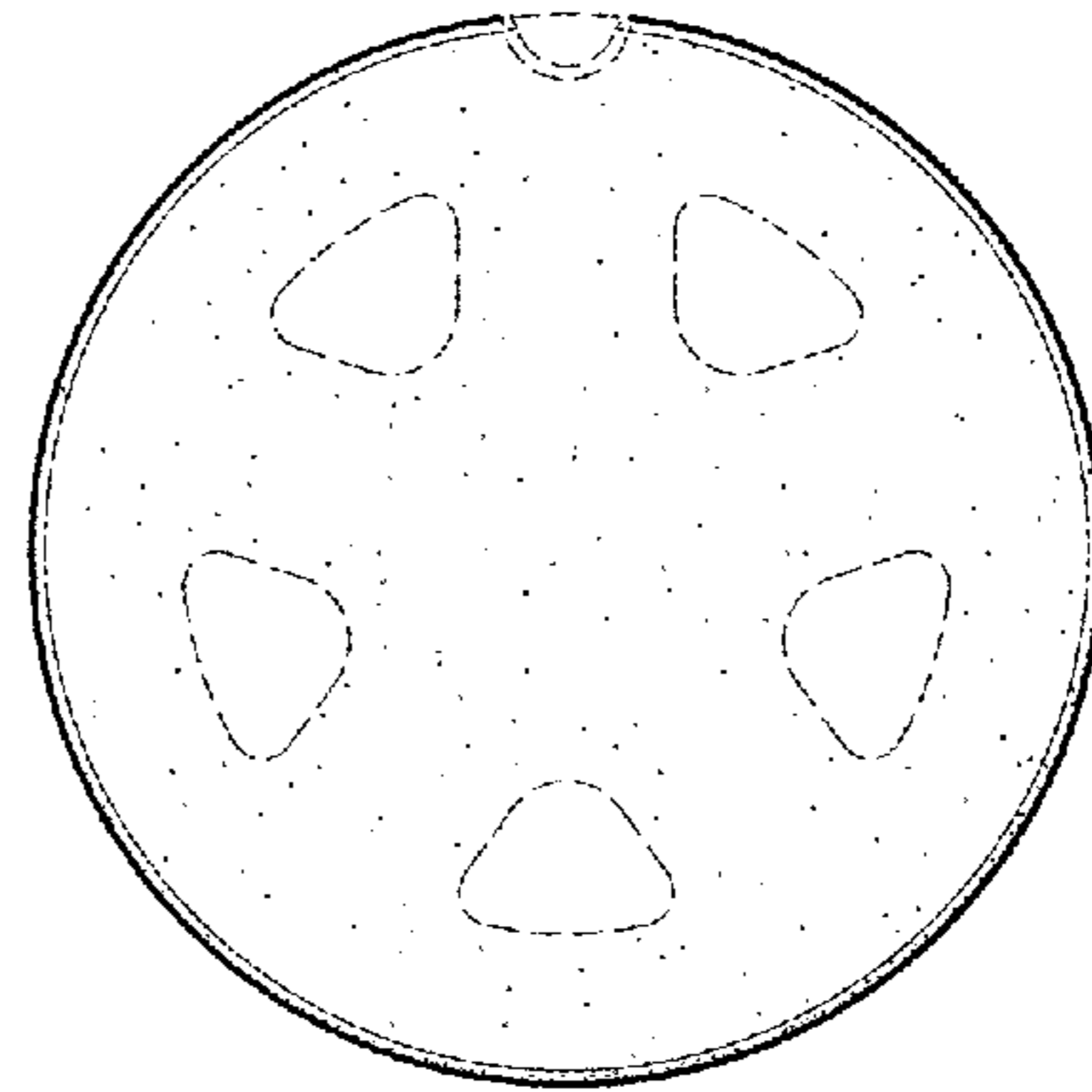


FIG. 11

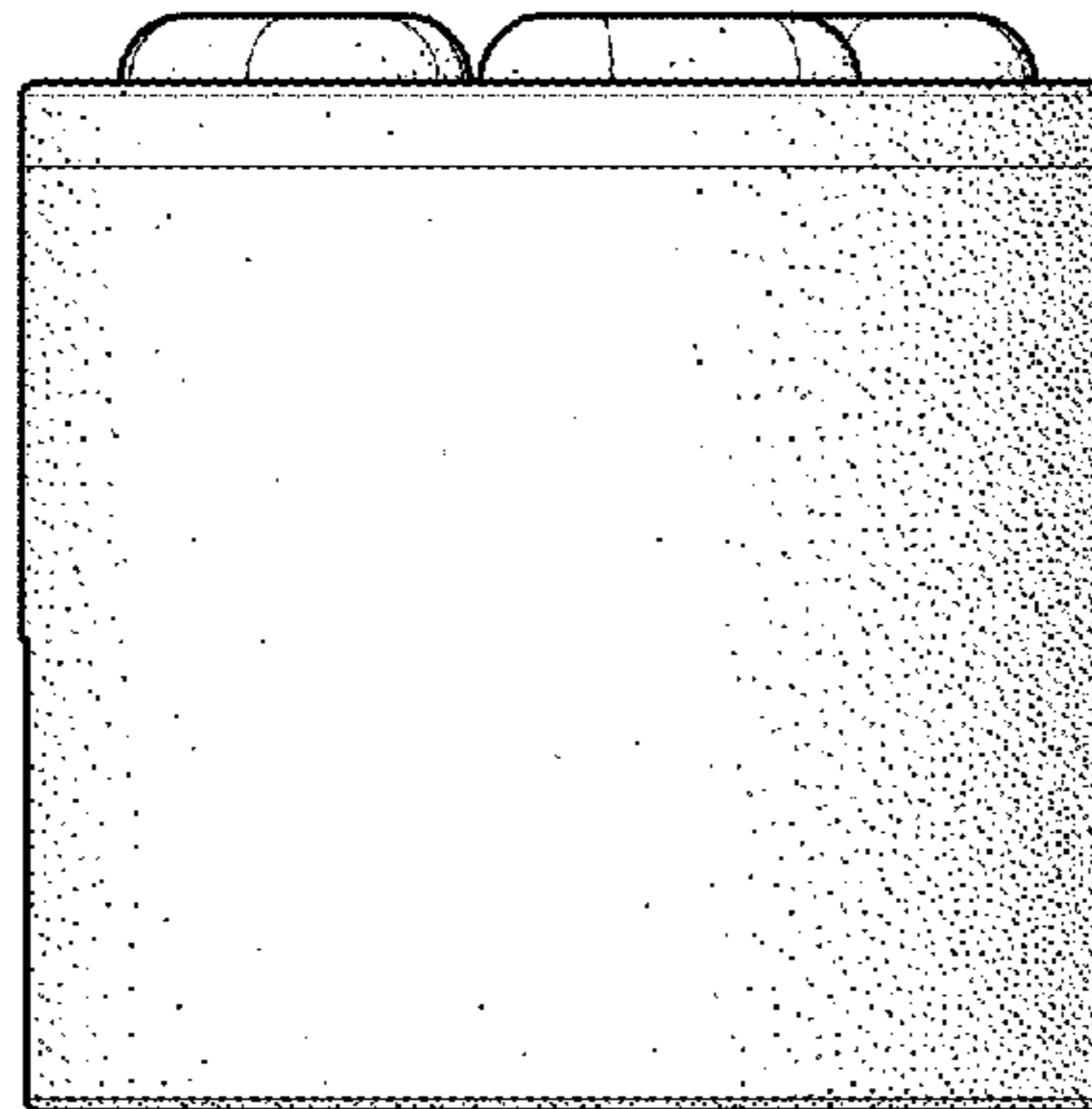


FIG. 12

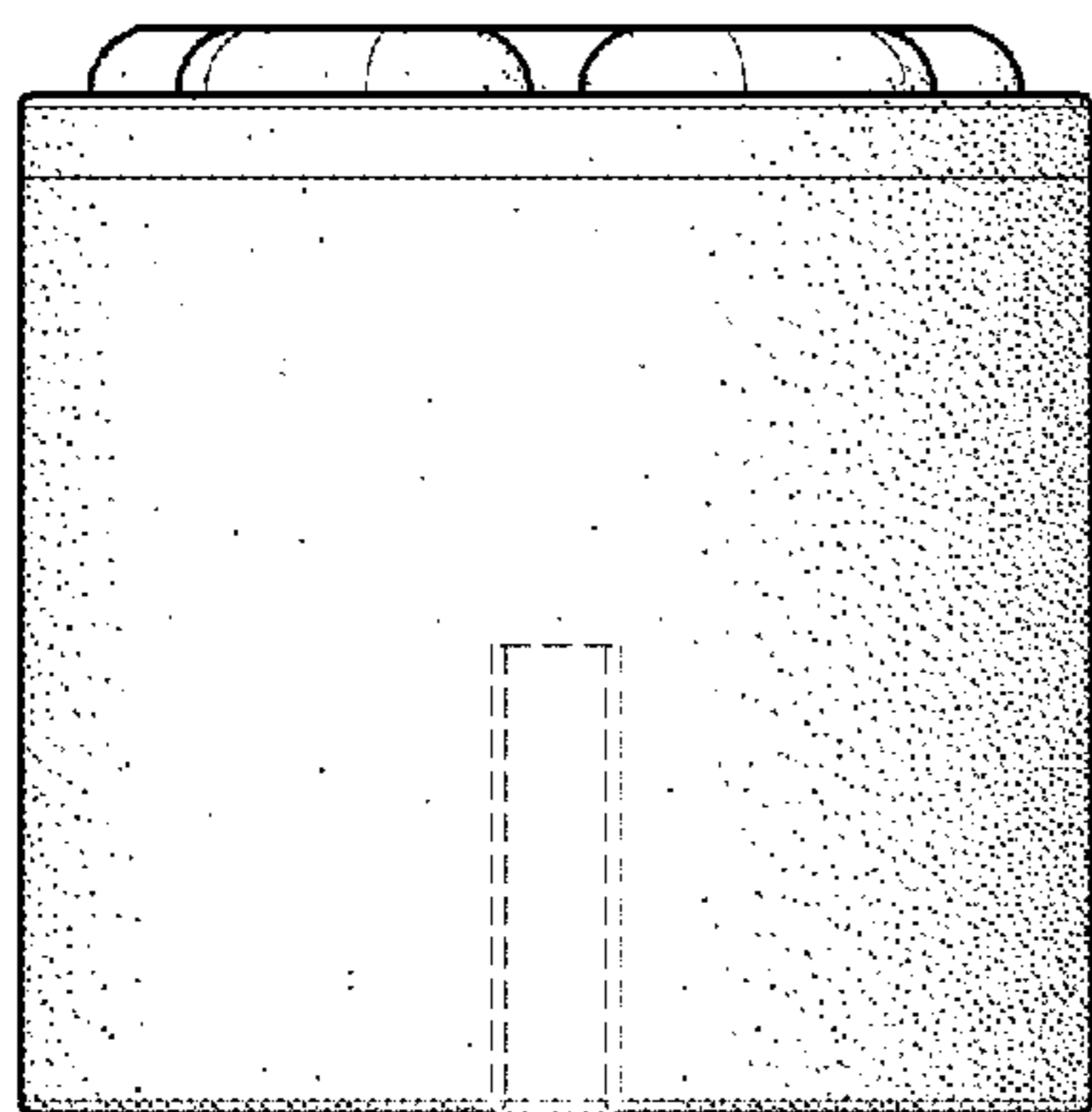


FIG. 13

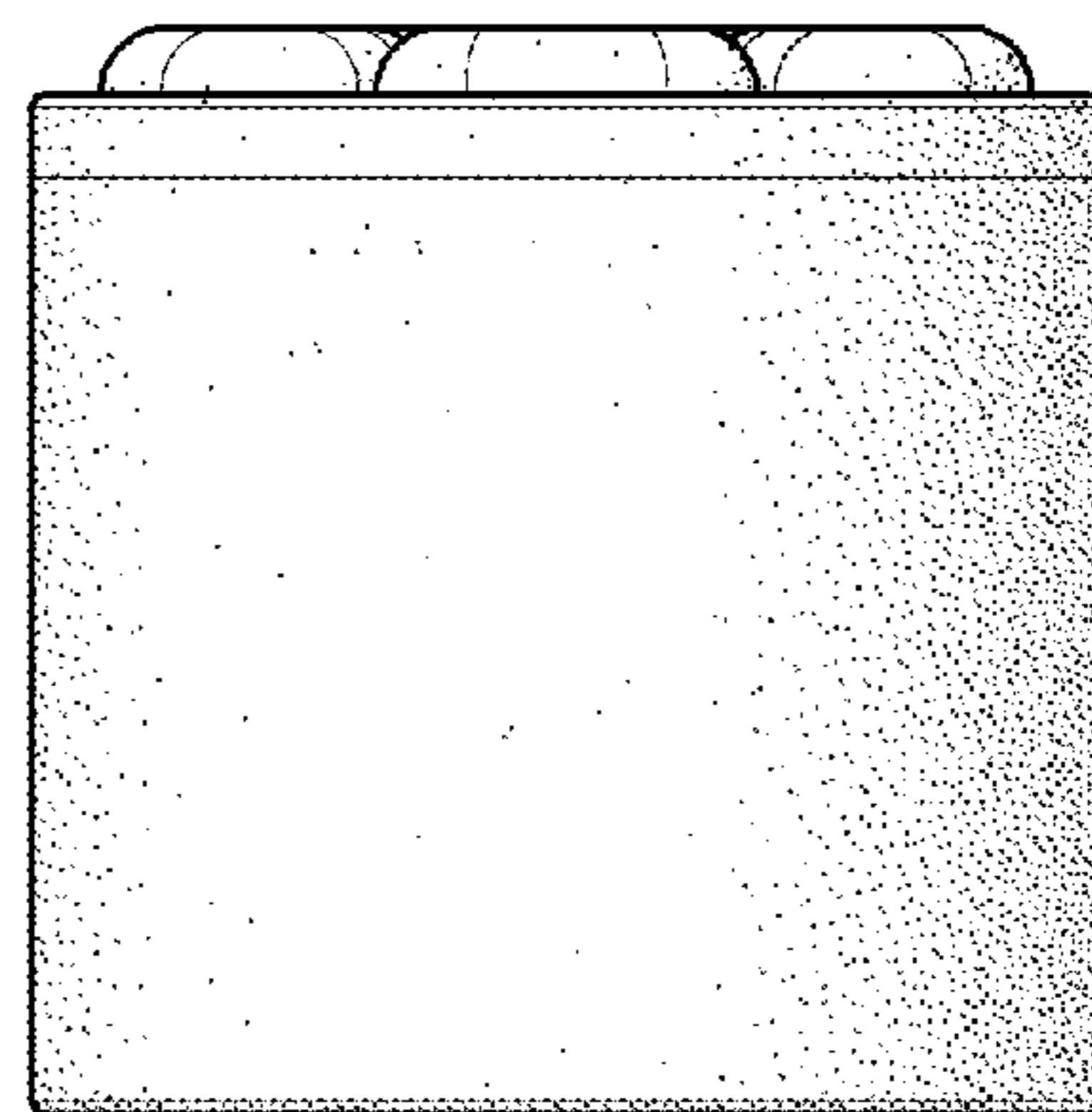


FIG. 14