



US00D716427S

(12) **United States Design Patent**
Lim et al.

(10) **Patent No.:** **US D716,427 S**
(45) **Date of Patent:** **** Oct. 28, 2014**

(54) **ION GENERATOR FOR AUTOMOBILE**

(56) **References Cited**

(71) Applicant: **Samsung Electronics Co., Ltd.**,
Suwon-Si (KR)
(72) Inventors: **Hyuntaik Lim**, London (GB);
Seungwook Suh, Seoul (KR); **Robert**
Christopher Young, London (GB)
(73) Assignee: **Samsung Electronics Co., Ltd.**,
Gyeonggi-do (KR)
(**) Term: **14 Years**

U.S. PATENT DOCUMENTS

D288,714 S *	3/1987	Wilson et al.	D23/366
D347,359 S *	5/1994	Robbins, III	D7/512
D451,183 S *	11/2001	Hirano et al.	D23/366
D493,874 S *	8/2004	Woods	D23/364
D518,728 S *	4/2006	Frantz	D9/504
D544,084 S *	6/2007	Michaels et al.	D23/366
7,476,870 B2 *	1/2009	Hopaluk et al.	250/436
D635,653 S *	4/2011	Conway et al.	D23/355
D651,703 S *	1/2012	Ritzenhoff	D23/366
D659,537 S *	5/2012	Ritzenhoff	D9/500
8,362,452 B2 *	1/2013	Fago et al.	250/506.1
D681,791 S *	5/2013	Jorgensen	D23/366
D700,692 S *	3/2014	Engelhardt	D23/360

* cited by examiner

Primary Examiner — David Muller

(74) *Attorney, Agent, or Firm* — Harness, Dickey & Pierce

(21) Appl. No.: **29/445,096**

(22) Filed: **Feb. 7, 2013**

(30) **Foreign Application Priority Data**

Aug. 28, 2012 (KR) 30-2012-0041330

(51) **LOC (10) Cl.** **23-04**

(52) **U.S. Cl.**
USPC **D23/364**

(58) **Field of Classification Search**
USPC D23/355–366, 352, 369, 332, 333, 335,
D23/336, 342, 351; 422/120, 122; 55/356,
55/473, 504; 96/97; 261/DIG. 17, DIG. 65,
261/DIG. 88, DIG. 31; 250/423 R–423 F;
D9/504

See application file for complete search history.

(57) **CLAIM**

The ornamental design for an ion generator for automobile, as shown and described.

DESCRIPTION

FIG. 1 is a front/right-side/top perspective view of an ion generator for automobile showing our new design; FIG. 2 is a front elevation view thereof; FIG. 3 is a rear elevation view thereof; FIG. 4 is a left elevation view thereof; FIG. 5 is a right elevation view thereof; FIG. 6 is a top plan view thereof; FIG. 7 is a bottom plan view thereof; and, FIG. 8 is a perspective view thereof, showing the device in an extended configuration.

1 Claim, 7 Drawing Sheets

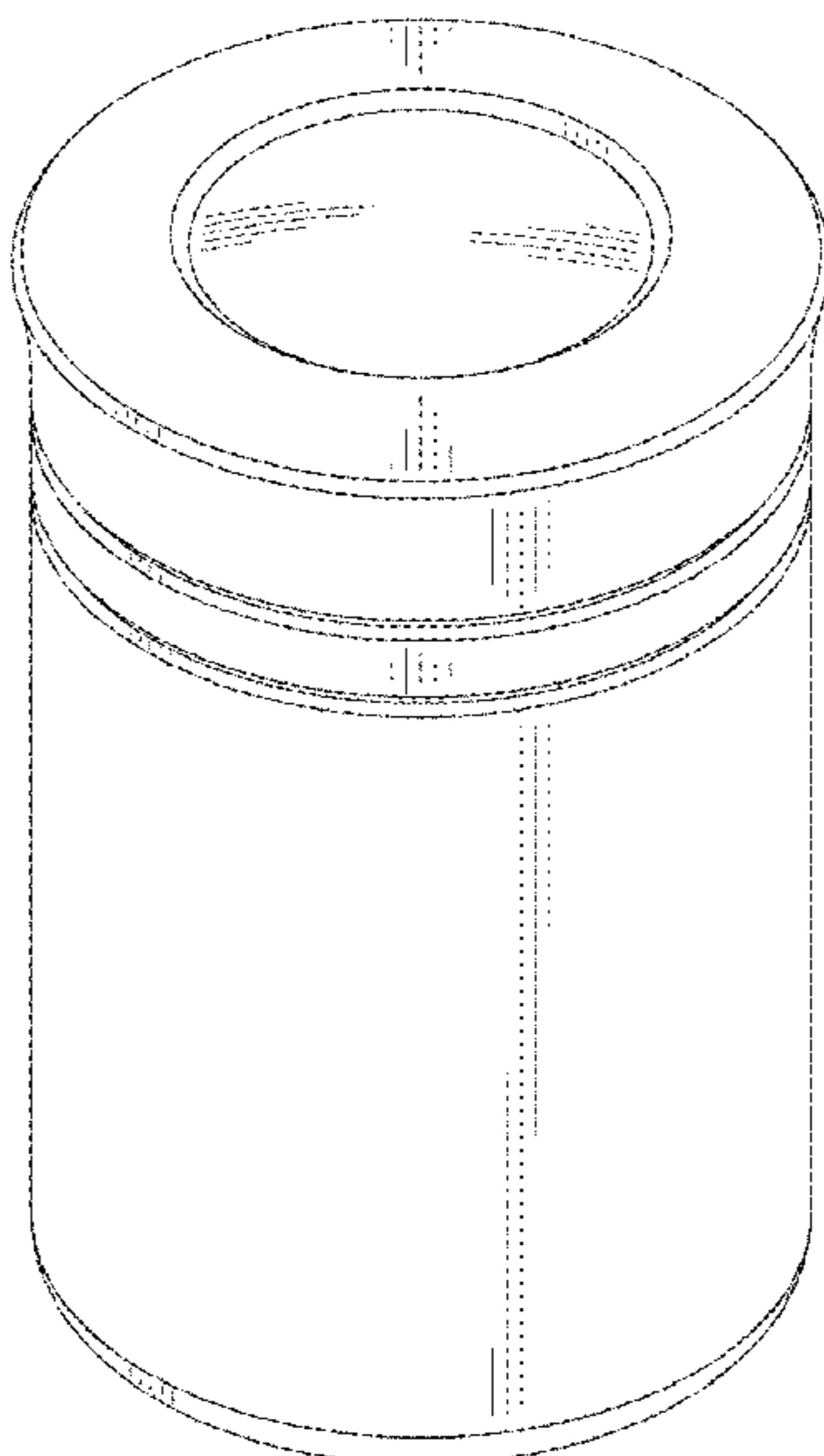


FIG. 1

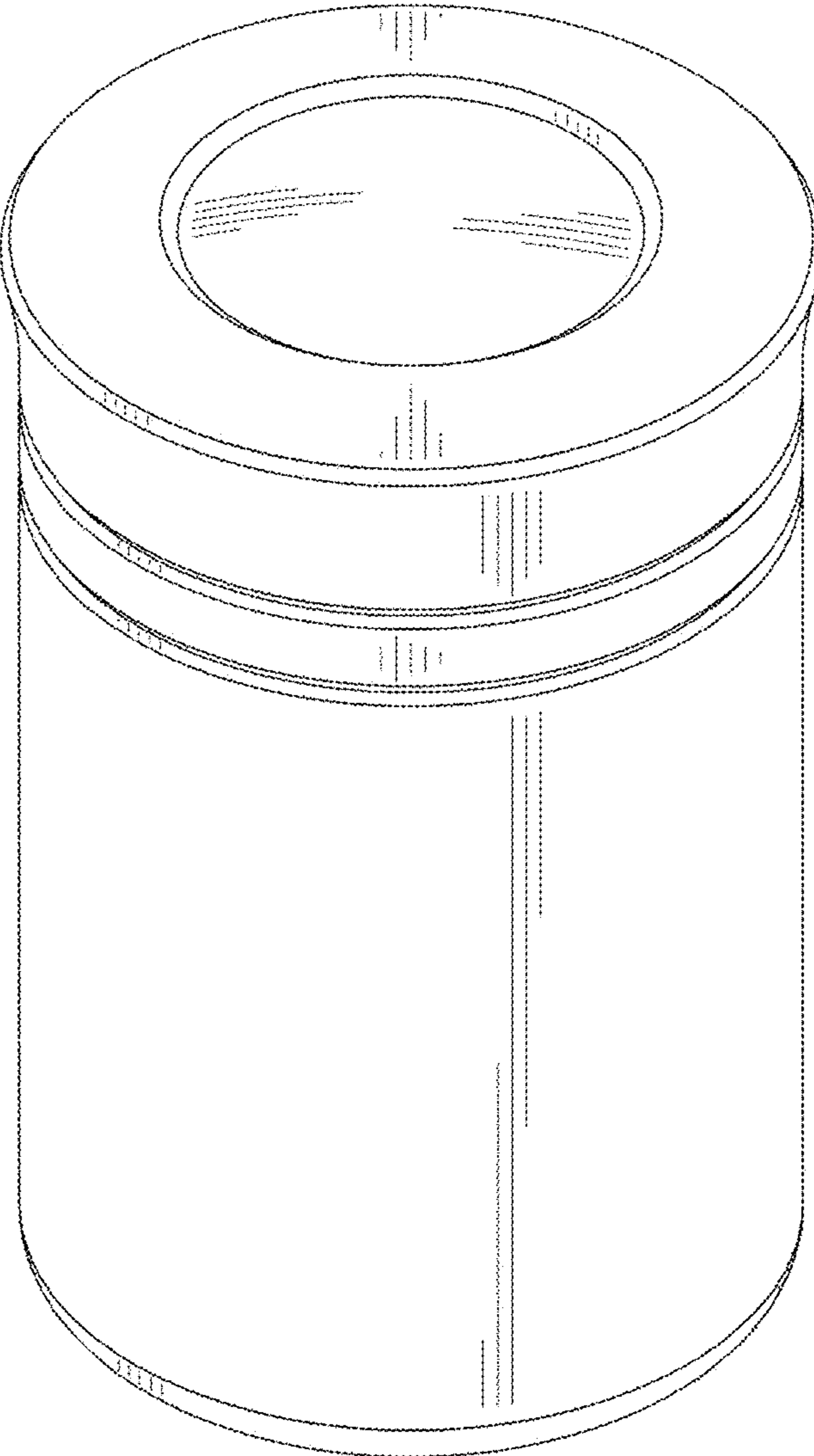


FIG. 2

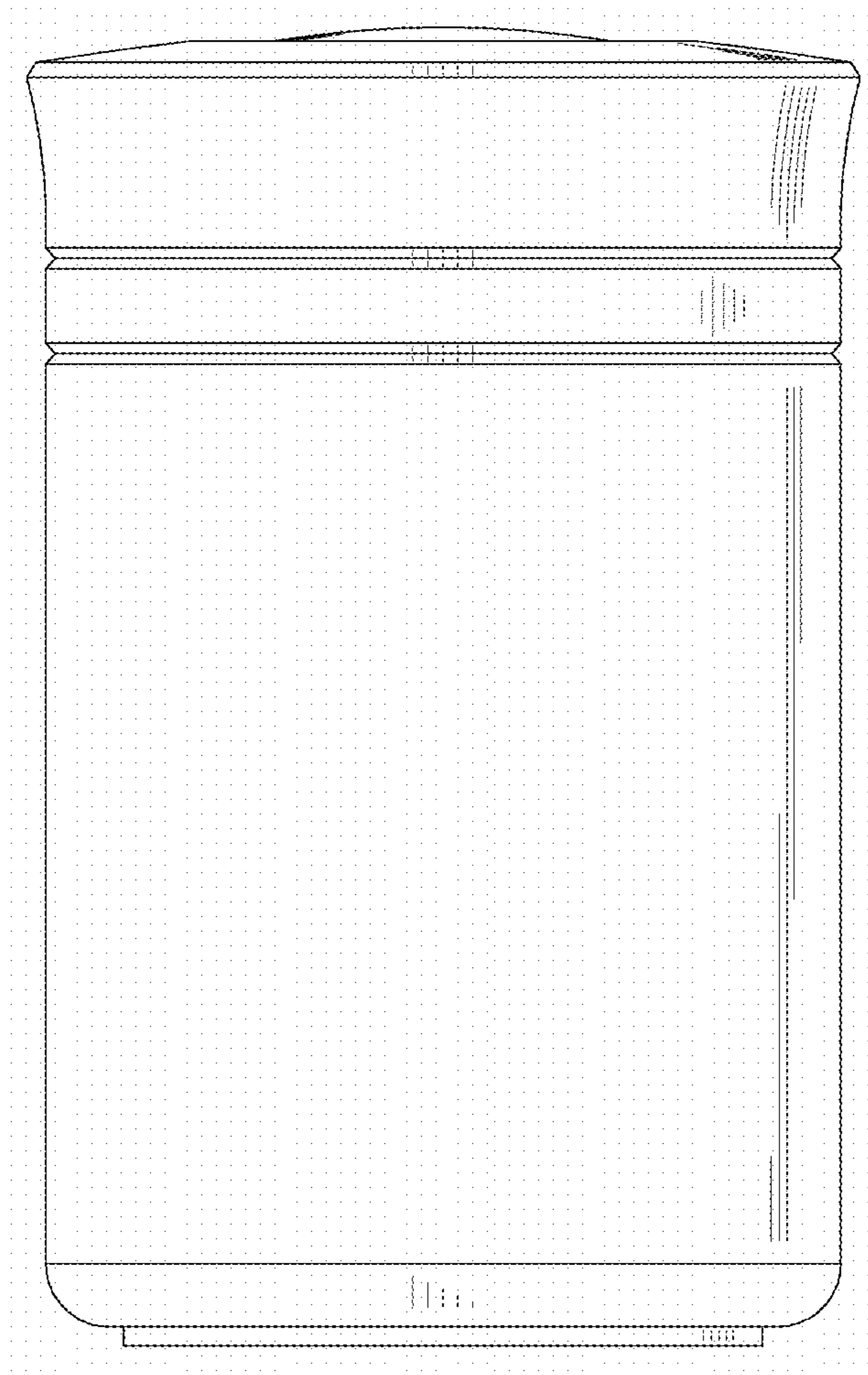


FIG. 3

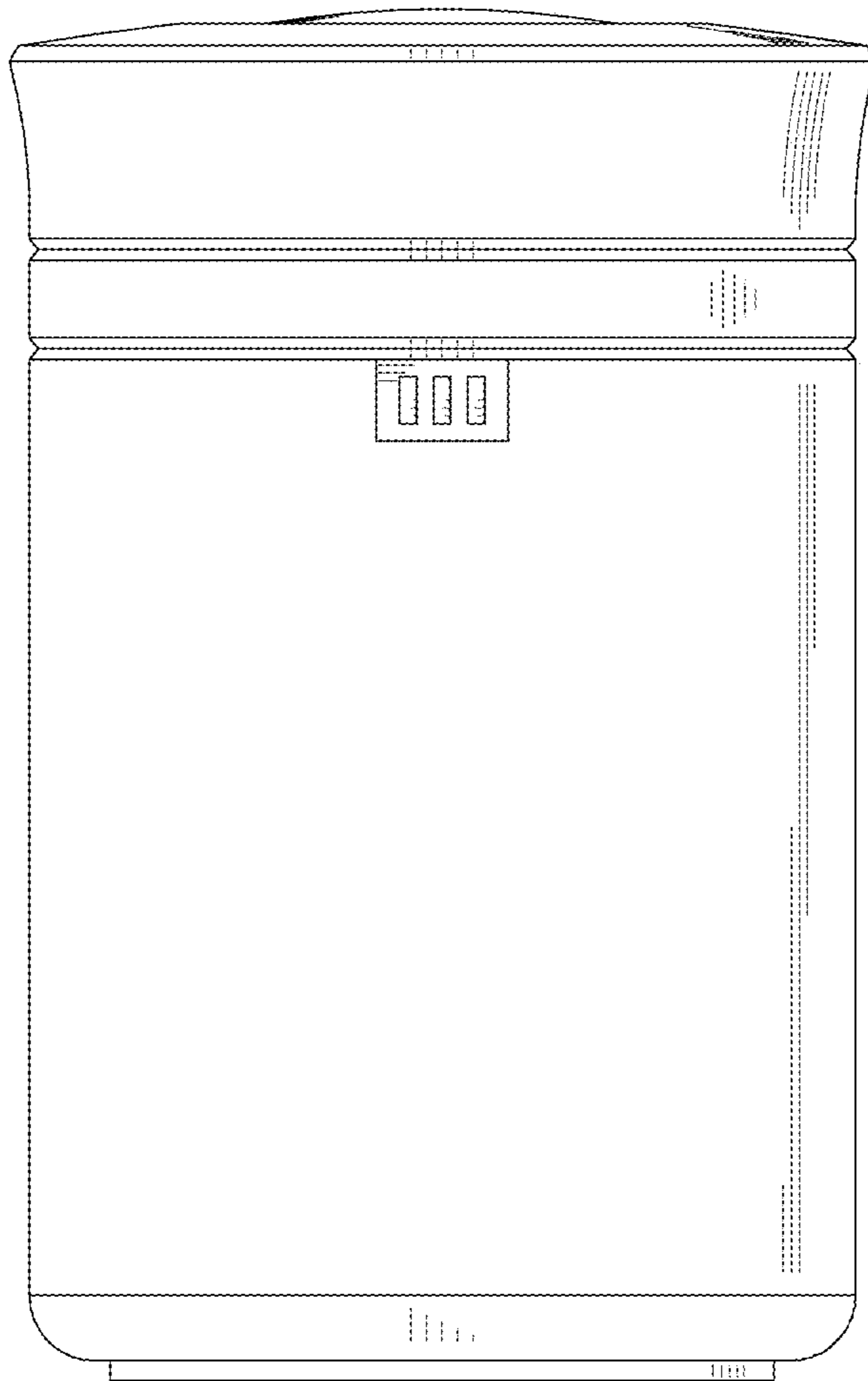


FIG.4

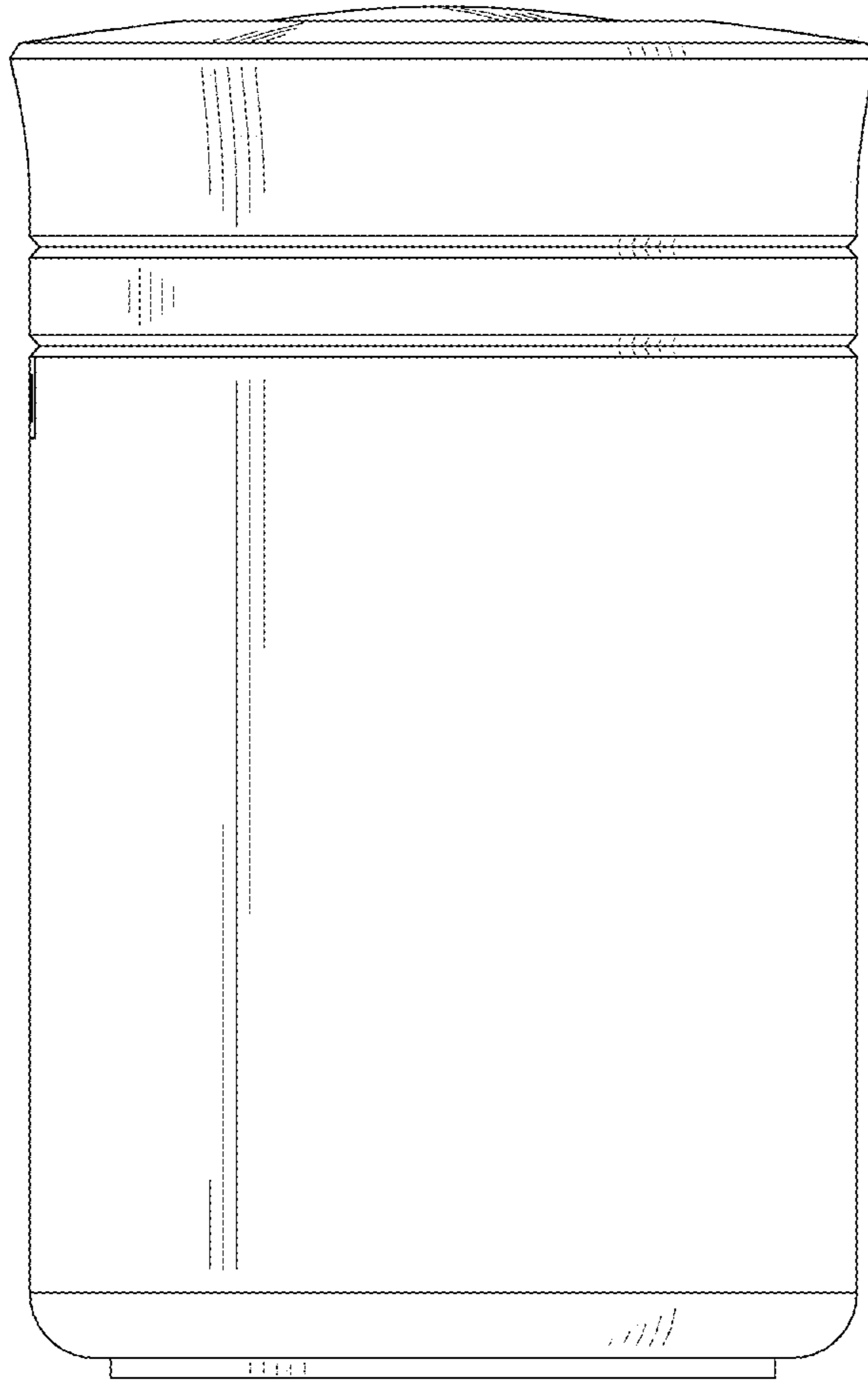


FIG.5

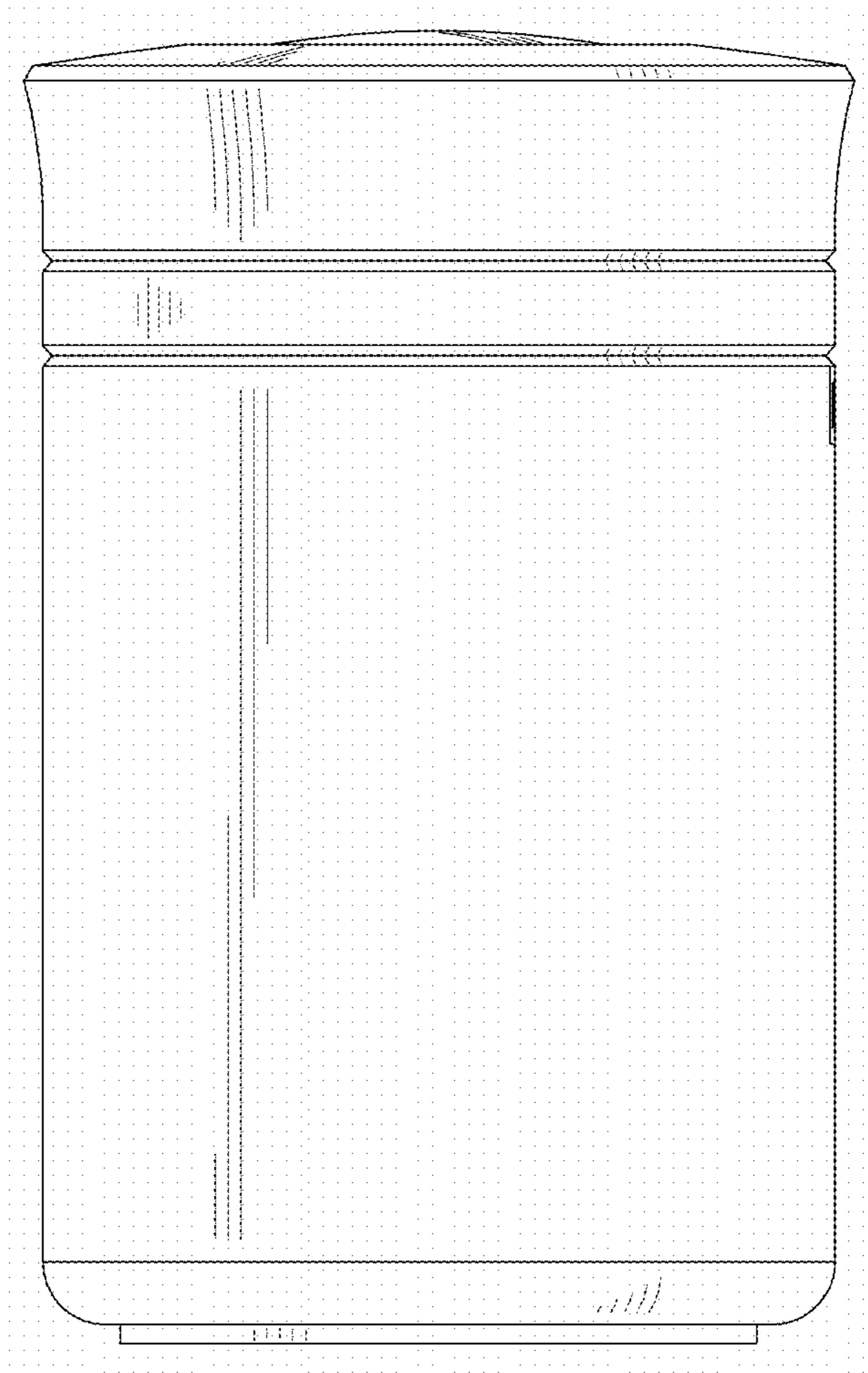


FIG.6

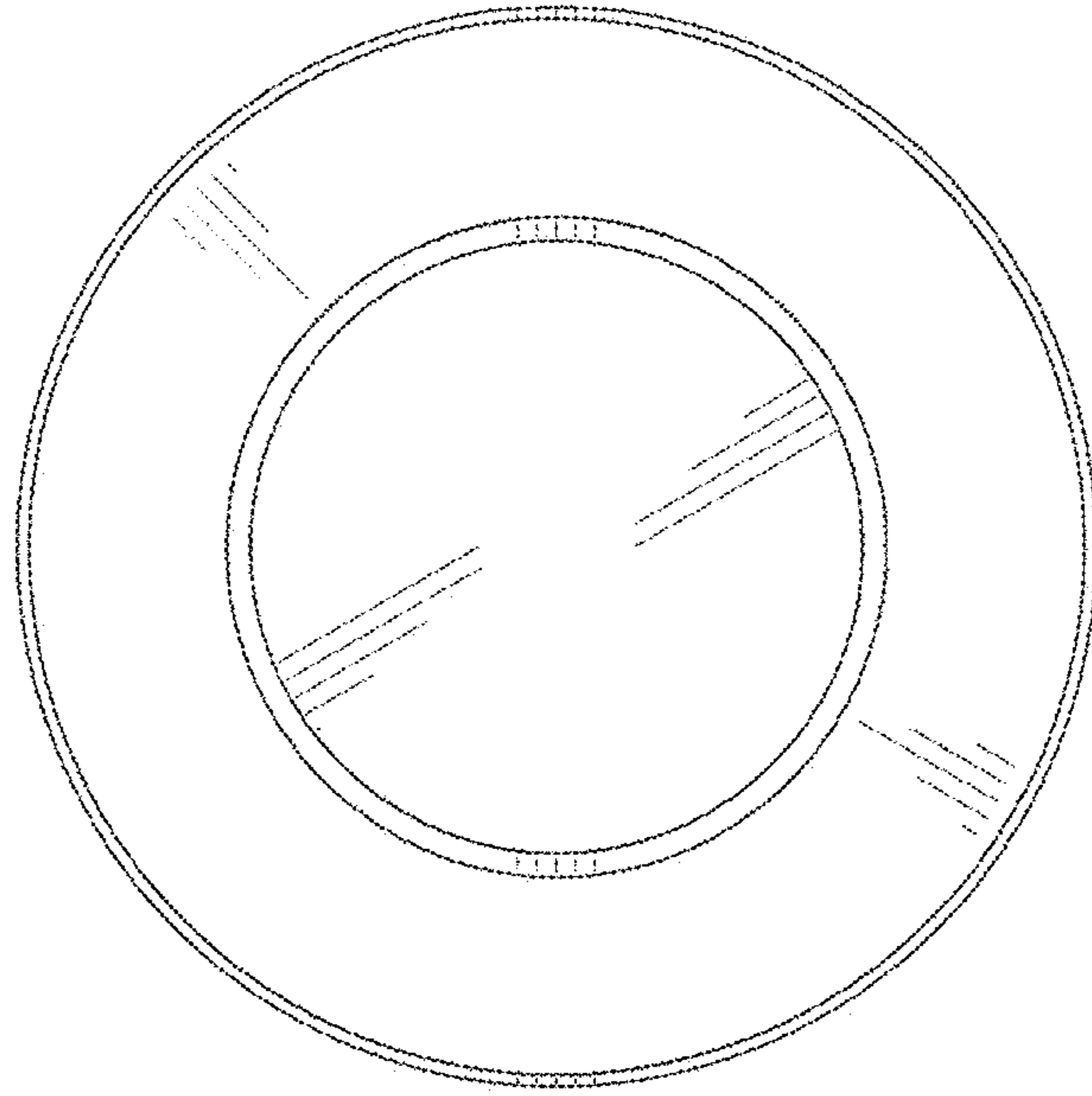


FIG.7

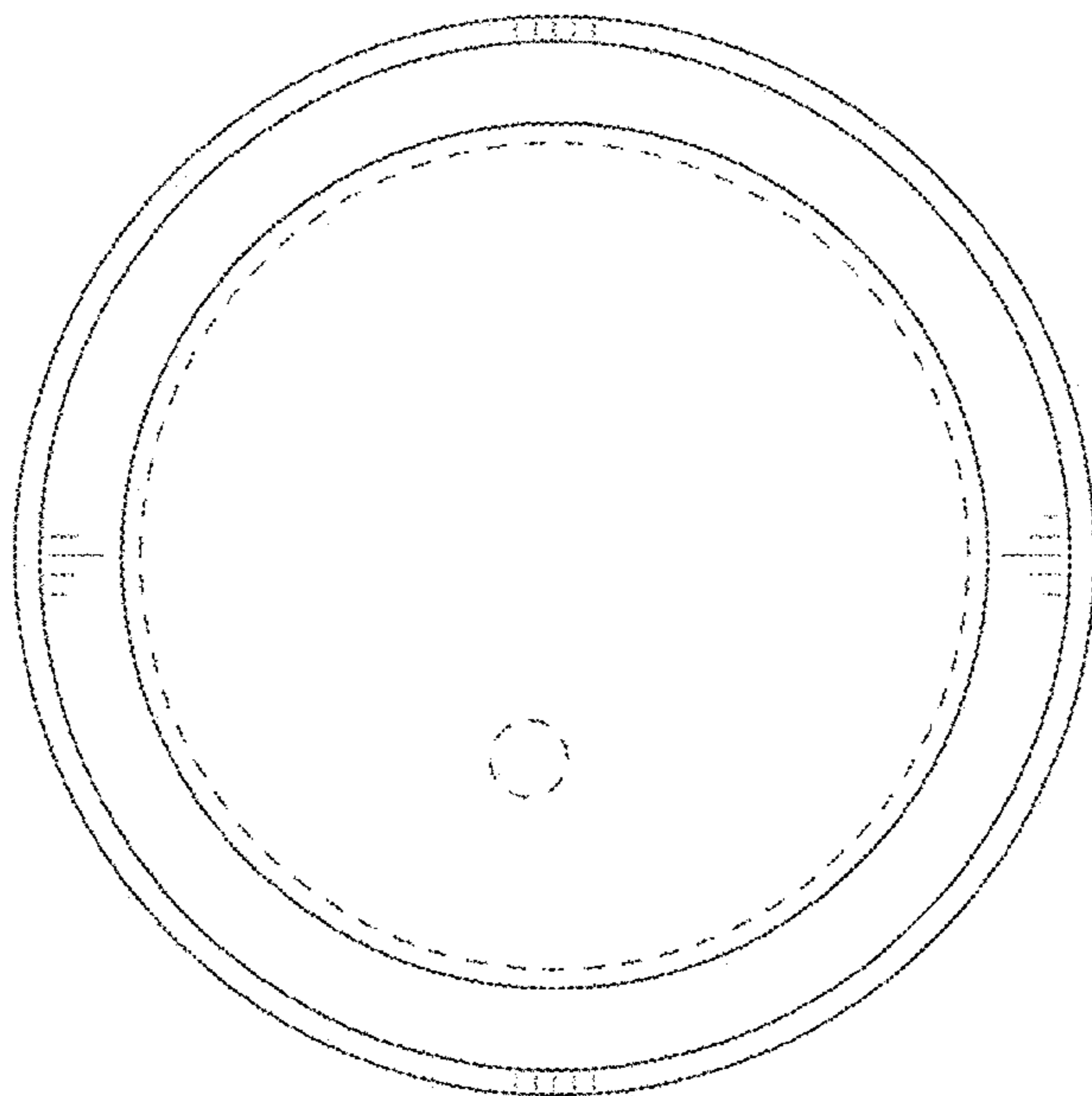


FIG.8

