



US00D716426S

(12) **United States Design Patent**
Lim et al.

(10) **Patent No.:** **US D716,426 S**
(45) **Date of Patent:** **** Oct. 28, 2014**

(54) **ION GENERATOR FOR AUTOMOBILE**

(56) **References Cited**

(71) Applicant: **Samsung Electronics Co., Ltd.**,
Suwon-Si (KR)
(72) Inventors: **Hyuntaik Lim**, London (GB); **Michael David**, London (GB); **Robert M. H. Pitt**, London (GB)
(73) Assignee: **Samsung Electronics Co., Ltd.**,
Gyeonggi-do (KR)
(**) Term: **14 Years**

U.S. PATENT DOCUMENTS

D253,129 S *	10/1979	Marloth	D24/110
D260,435 S *	8/1981	Marloth et al.	D24/110
D272,191 S *	1/1984	Van Ewyk	D24/110
D366,314 S *	1/1996	Kaizaki et al.	D24/110
D424,185 S *	5/2000	Brown et al.	D23/368
D497,664 S *	10/2004	Puri	D23/364
D510,990 S *	10/2005	Farchione	D23/366
D560,531 S *	1/2008	Cleland et al.	D10/104.1
D636,478 S *	4/2011	Pininfarina	D23/366
D655,402 S *	3/2012	Osorio	D23/360
D665,485 S *	8/2012	Vetu	D23/364
D669,568 S *	10/2012	Mandell et al.	D23/366
D686,718 S *	7/2013	Gordon et al.	D23/366

* cited by examiner

(21) Appl. No.: **29/445,091**

Primary Examiner — David Muller

(22) Filed: **Feb. 7, 2013**

(74) *Attorney, Agent, or Firm* — Harness, Dickey & Pierce

(30) **Foreign Application Priority Data**

(57) **CLAIM**

Aug. 28, 2012 (KR) 30-2012-0041329

We claim the ornamental design for an ion generator for automobile, as shown.

(51) **LOC (10) Cl.** **23-04**

DESCRIPTION

(52) **U.S. Cl.**

USPC **D23/355**

(58) **Field of Classification Search**

USPC D23/355-366, 352, 369, 332, 333, 335, D23/336, 342, 351; 422/120, 122; 55/356, 55/473, 504; 96/97; 261/DIG. 17, DIG. 65, 261/DIG. 88, DIG. 31

FIG. 1 is a front/right-side/top perspective view of an ion generator for automobile showing our new design;
FIG. 2 is a front elevation view thereof;
FIG. 3 is a rear elevation view thereof;
FIG. 4 is a left side elevation view thereof;
FIG. 5 is a right side elevation view thereof;
FIG. 6 is a top plan view thereof; and,
FIG. 7 is a bottom plan view thereof.

See application file for complete search history.

1 Claim, 7 Drawing Sheets

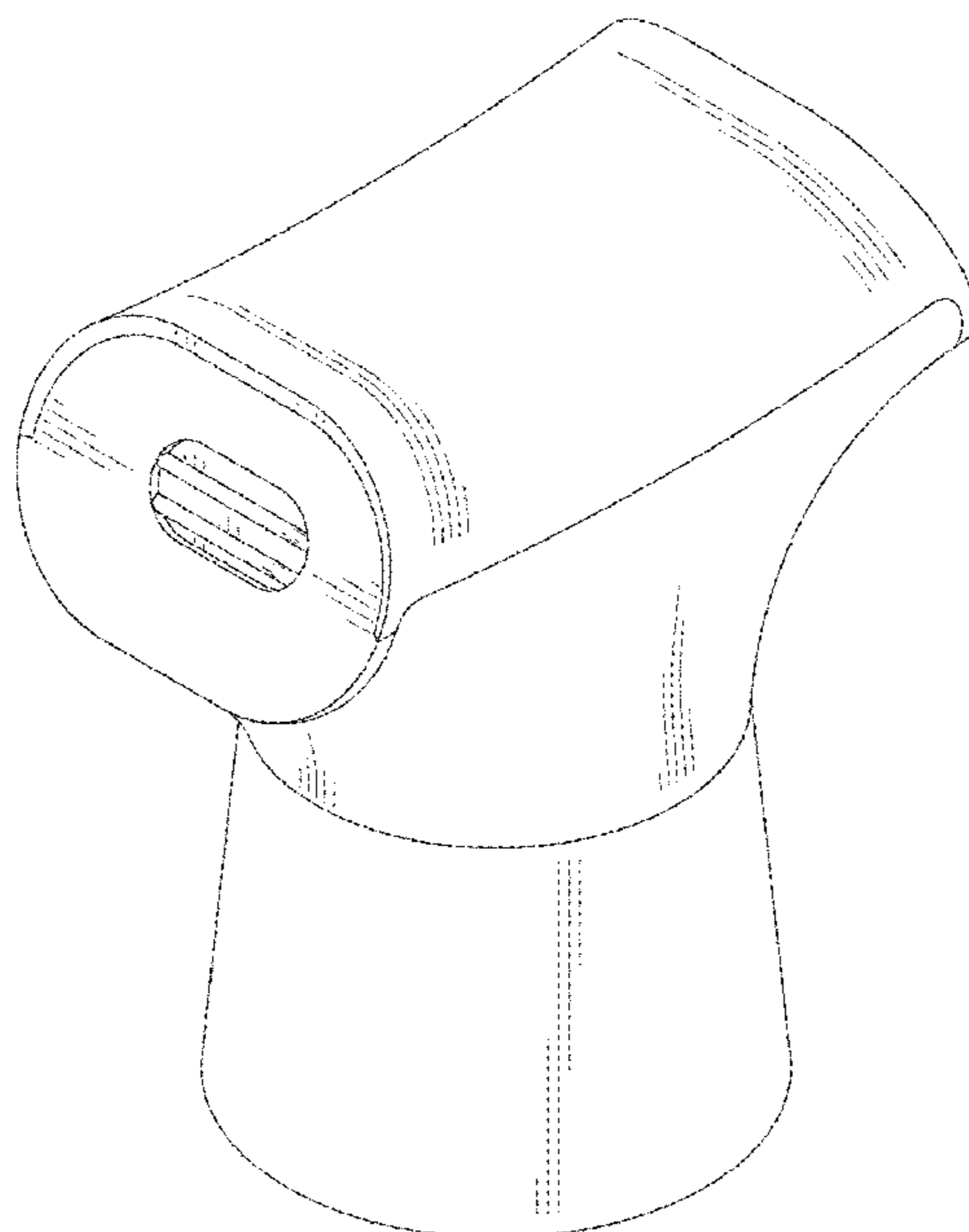


FIG. 1

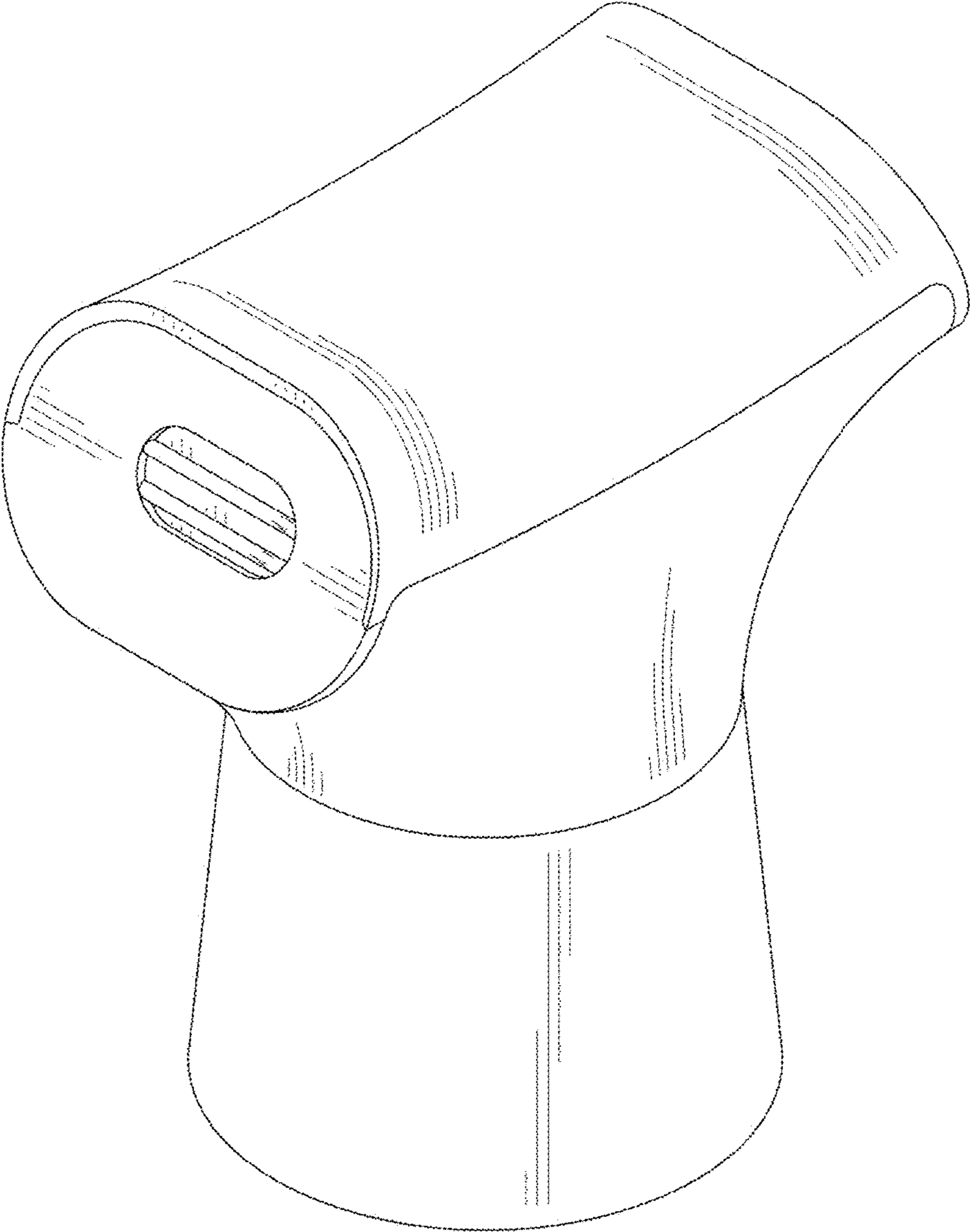


FIG. 2

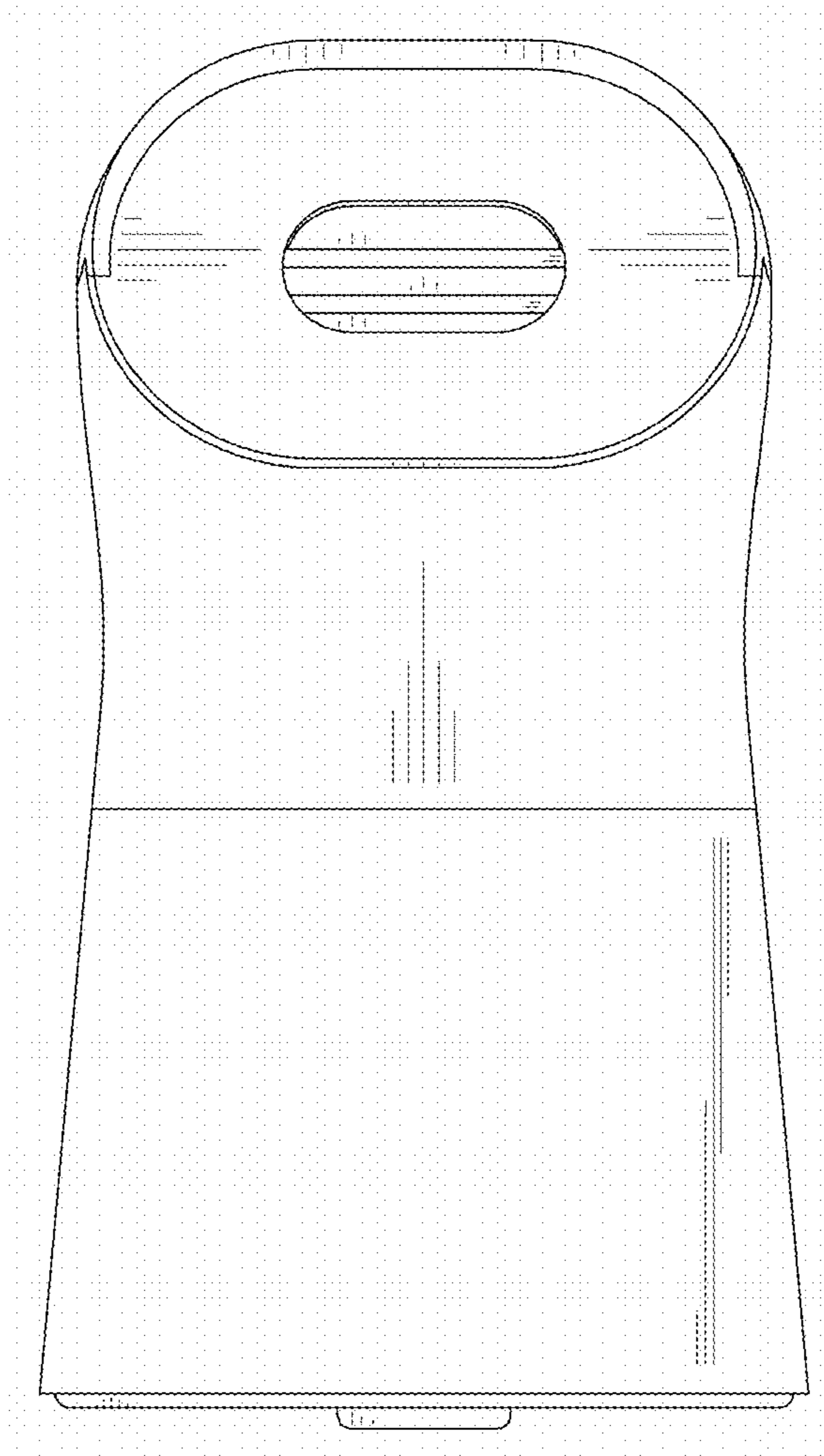


FIG. 3

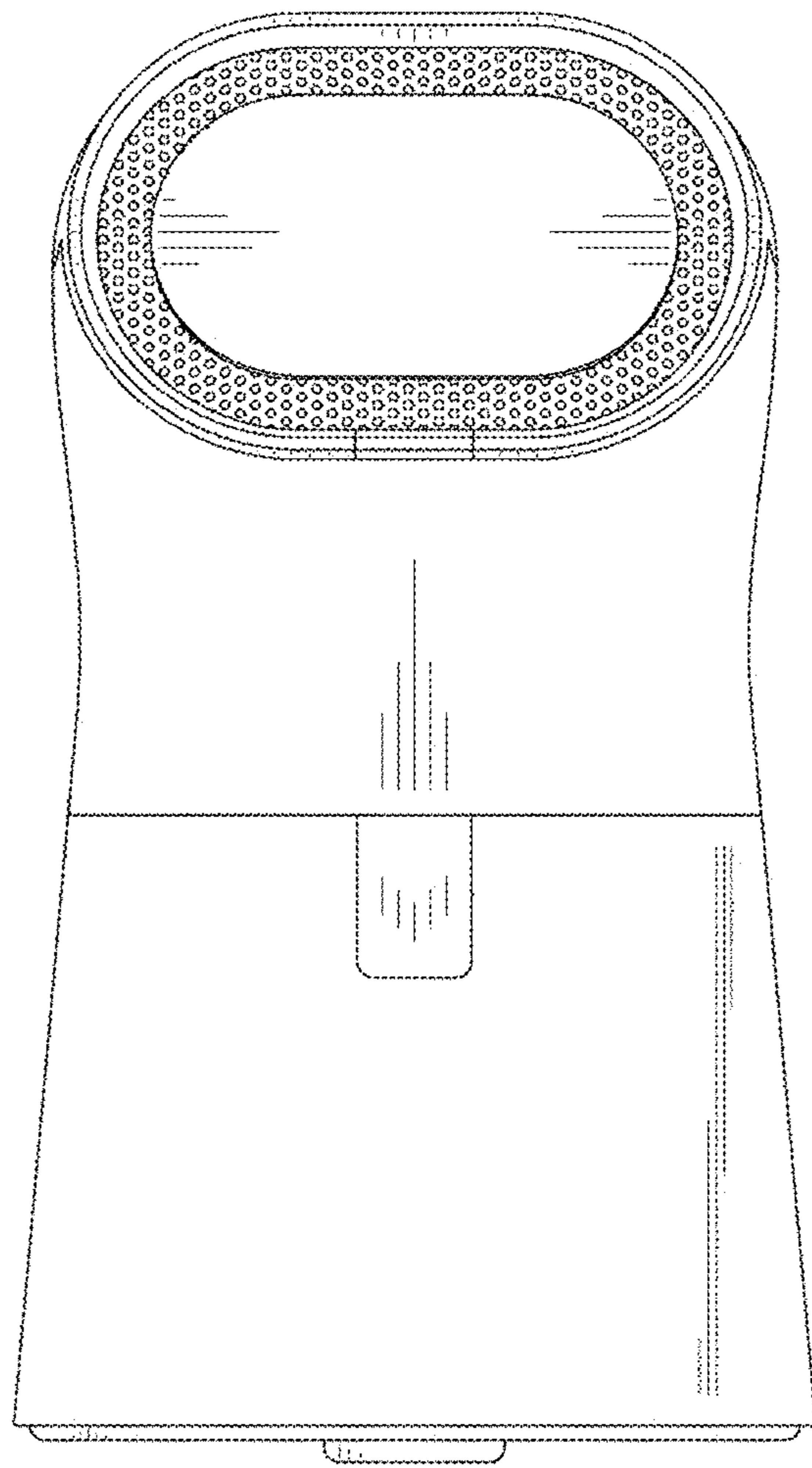


FIG.4

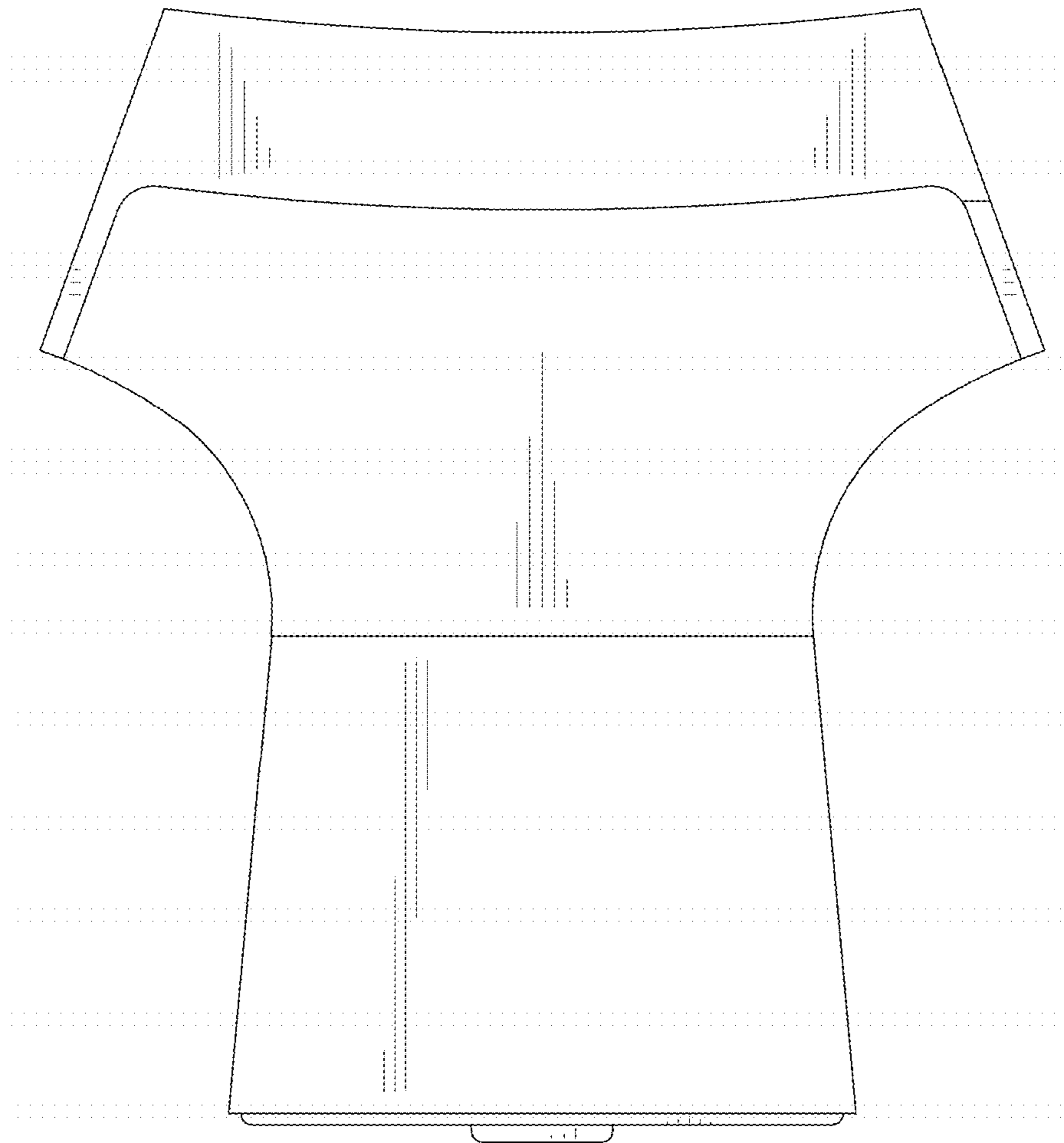


FIG.5

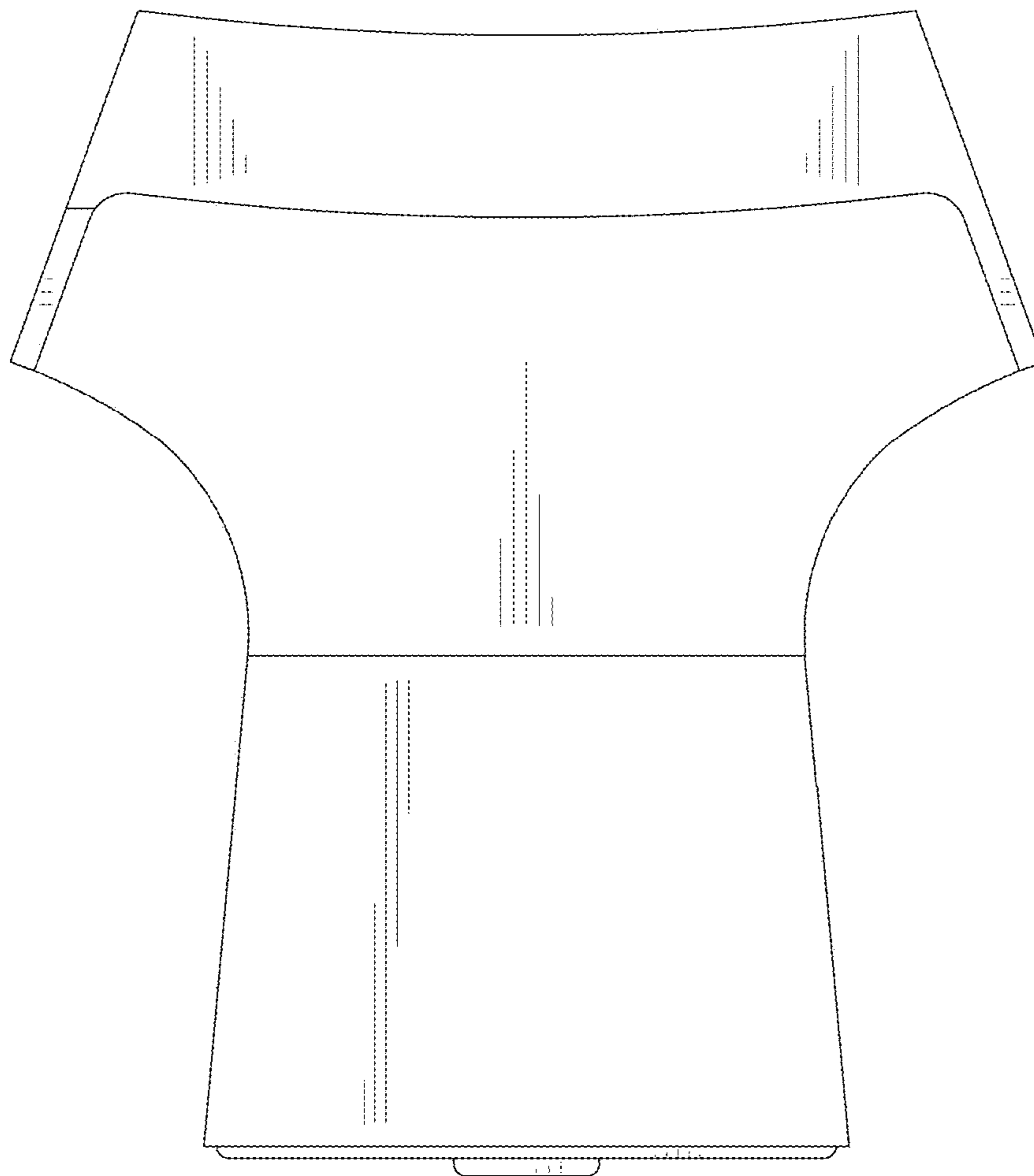


FIG.6

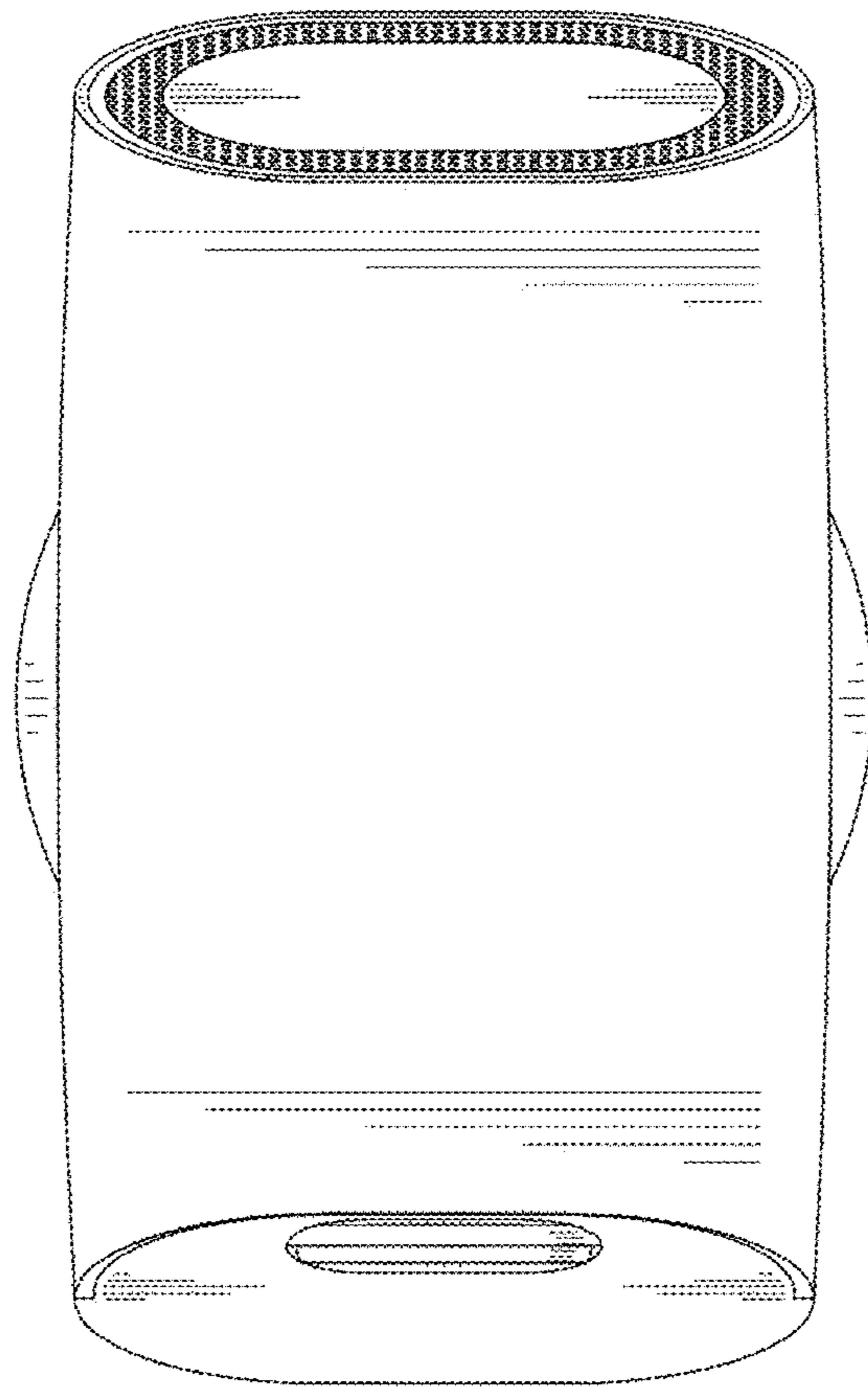


FIG.7

