



US00D716421S

(12) **United States Design Patent**
Sherman

(10) **Patent No.:** **US D716,421 S**

(45) **Date of Patent:** **** Oct. 28, 2014**

(54) **OUTSIDE SHOWER ASSEMBLY**

(71) Applicant: **Glenn R. Sherman**, Harwich, MA (US)

(72) Inventor: **Glenn R. Sherman**, Harwich, MA (US)

(**) Term: **14 Years**

(21) Appl. No.: **29/458,421**

(22) Filed: **Jun. 19, 2013**

(51) **LOC (10) Cl.** **23-02**

(52) **U.S. Cl.**
USPC **D23/304**; D25/126; D25/135

(58) **Field of Classification Search**
USPC D23/275, 283, 303–307, 228, 213, 229;
4/552, 596, 661, 599, 600, 614;
D25/38.1, 39, 129, 126, 135, 60
See application file for complete search history.

(56) **References Cited**

U.S. PATENT DOCUMENTS

D110,454 S *	7/1938	Baum	D25/60
D199,297 S *	9/1964	Landell et al.	D23/229
D199,513 S *	11/1964	Landell et al.	D23/229
3,333,284 A *	8/1967	Symmons	D23/283
D217,548 S *	5/1970	Niemann	D23/228
3,778,945 A *	12/1973	Medow	D25/60
4,457,031 A *	7/1984	Moore	4/614
D284,688 S *	7/1986	Baus	D23/283
5,121,511 A *	6/1992	Sakamoto et al.	4/601
D343,890 S *	2/1994	Bengtson et al.	D23/283
5,365,620 A	11/1994	MacLeod		
5,983,419 A	11/1999	Carroll		
D447,547 S *	9/2001	Dimitriadis et al.	D23/304
D457,605 S	5/2002	Balish, Jr.		
D457,610 S *	5/2002	Haug et al.	D23/304
D457,611 S *	5/2002	Haug et al.	D23/304

D509,915 S *	9/2005	Rosian	D25/135
D540,922 S *	4/2007	Starck	D23/304
D540,923 S *	4/2007	Starck	D23/304
D540,924 S *	4/2007	Bouroullec et al.	D23/304
D546,971 S *	7/2007	Bell et al.	D25/58
7,748,179 B2 *	7/2010	Schiedegger et al.	52/211
D624,227 S *	9/2010	Grant	D25/135
D670,405 S *	11/2012	McKenzie	D25/135
8,312,574 B2 *	11/2012	Tsai et al.	4/598

* cited by examiner

Primary Examiner — Robert Delehanty

(74) *Attorney, Agent, or Firm* — Servilla Whitney LLC

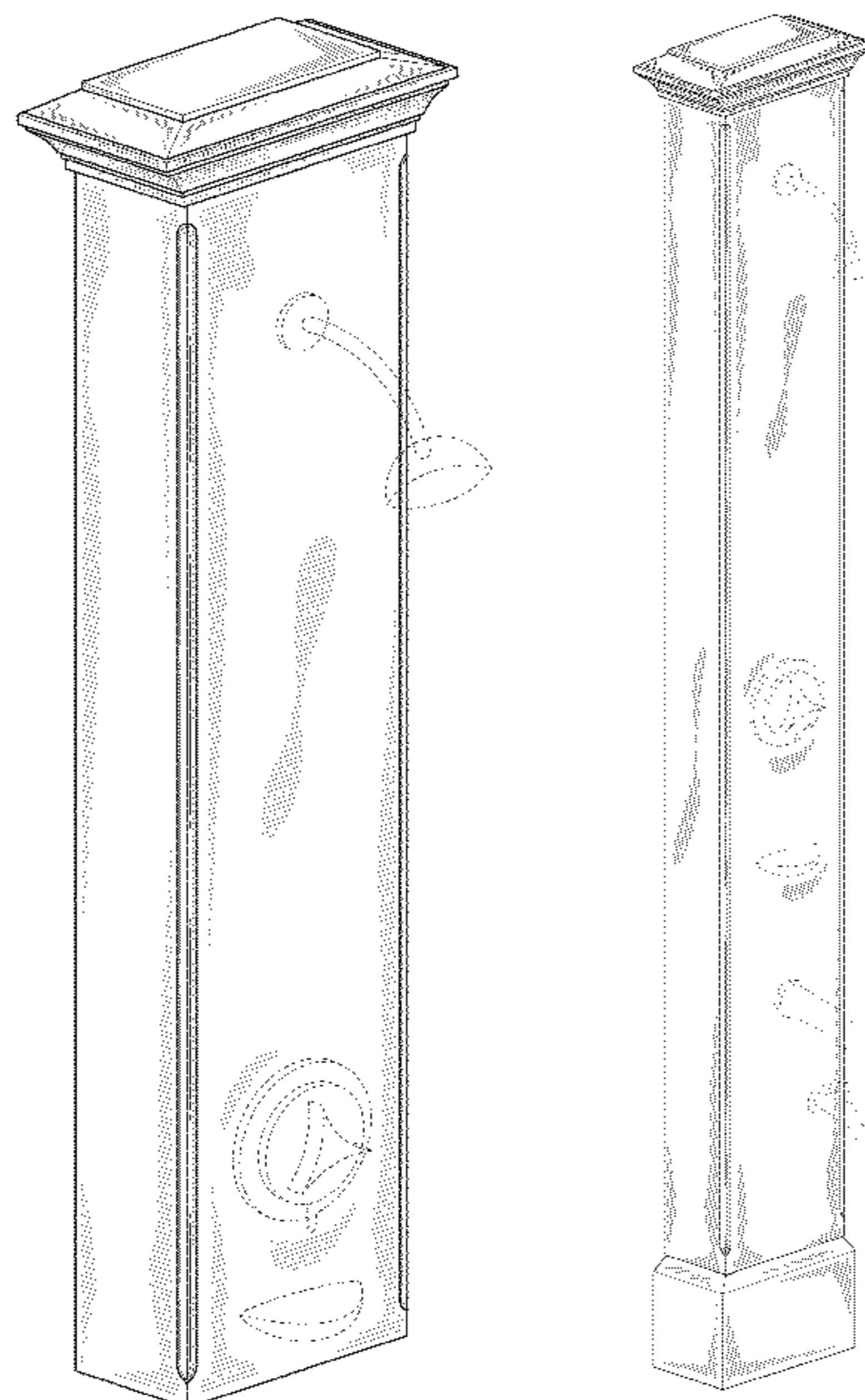
(57) **CLAIM**

The ornamental designs for an outside shower assembly, substantially as shown and described.

DESCRIPTION

FIG. 1 is a top right front perspective view of a first embodiment of an outside shower assembly;
 FIG. 2 is a front view of an outside shower assembly;
 FIG. 3 is a right view of an outside shower assembly;
 FIG. 4 is a back view of an outside shower assembly;
 FIG. 5 is a top view of an outside shower assembly;
 FIG. 6 is a bottom view of an outside shower assembly;
 FIG. 7 is a top right front perspective view of a second embodiment of an outside shower assembly;
 FIG. 8 is a front view of an outside shower assembly;
 FIG. 9 is a right view of an outside shower assembly;
 FIG. 10 is a back view of an outside shower assembly;
 FIG. 11 is a top view of an outside shower assembly; and,
 FIG. 12 is a bottom view of an outside shower assembly.
 Portions shown in broken lines represent unclaimed portions of the claimed design.

1 Claim, 6 Drawing Sheets



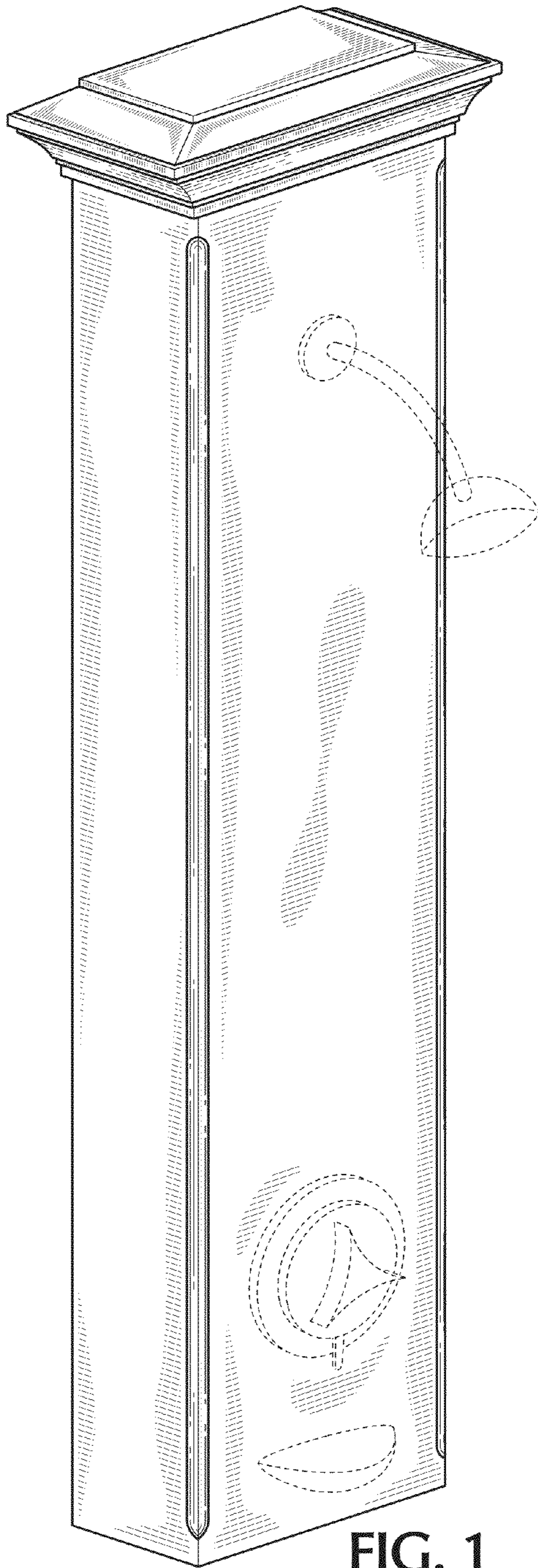


FIG. 1

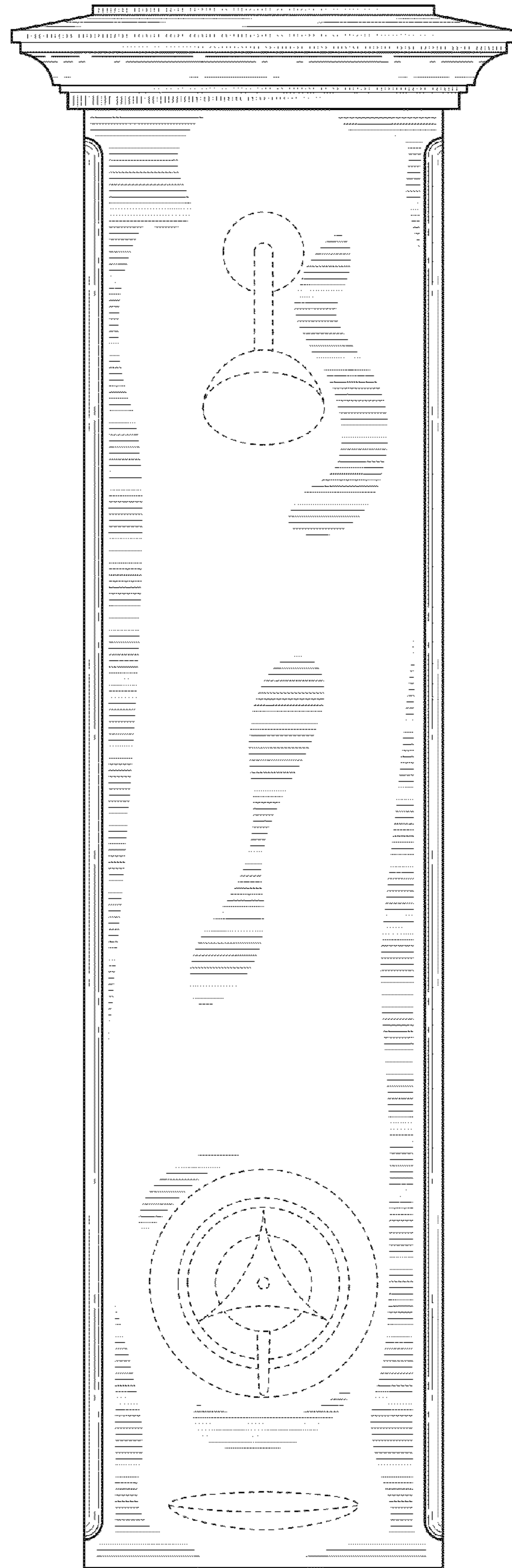


FIG. 2

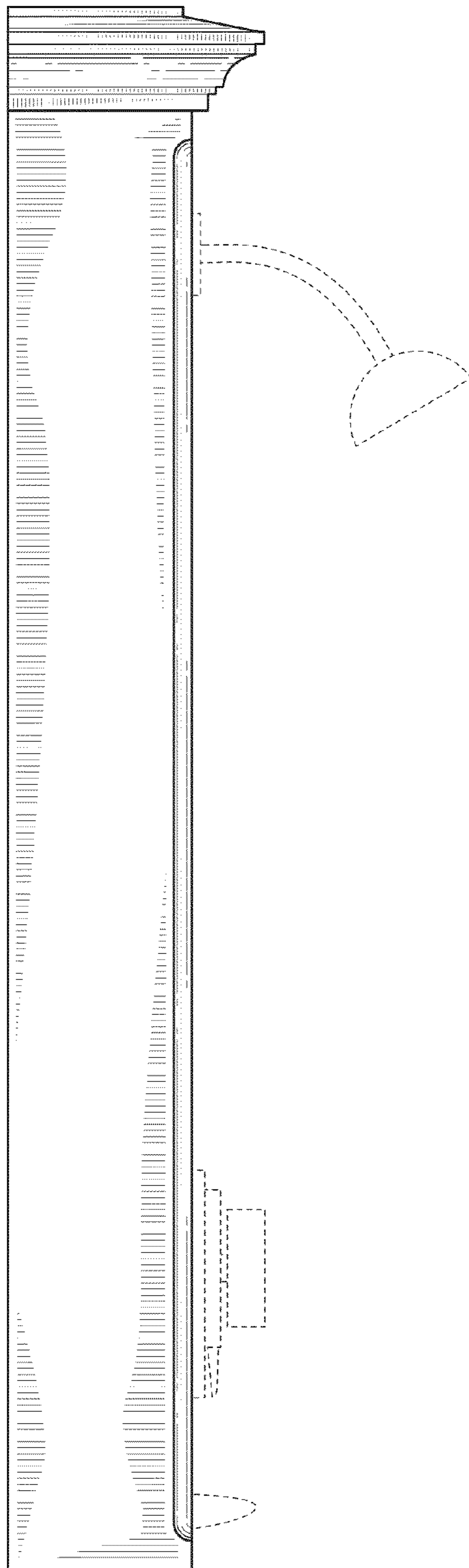


FIG. 3

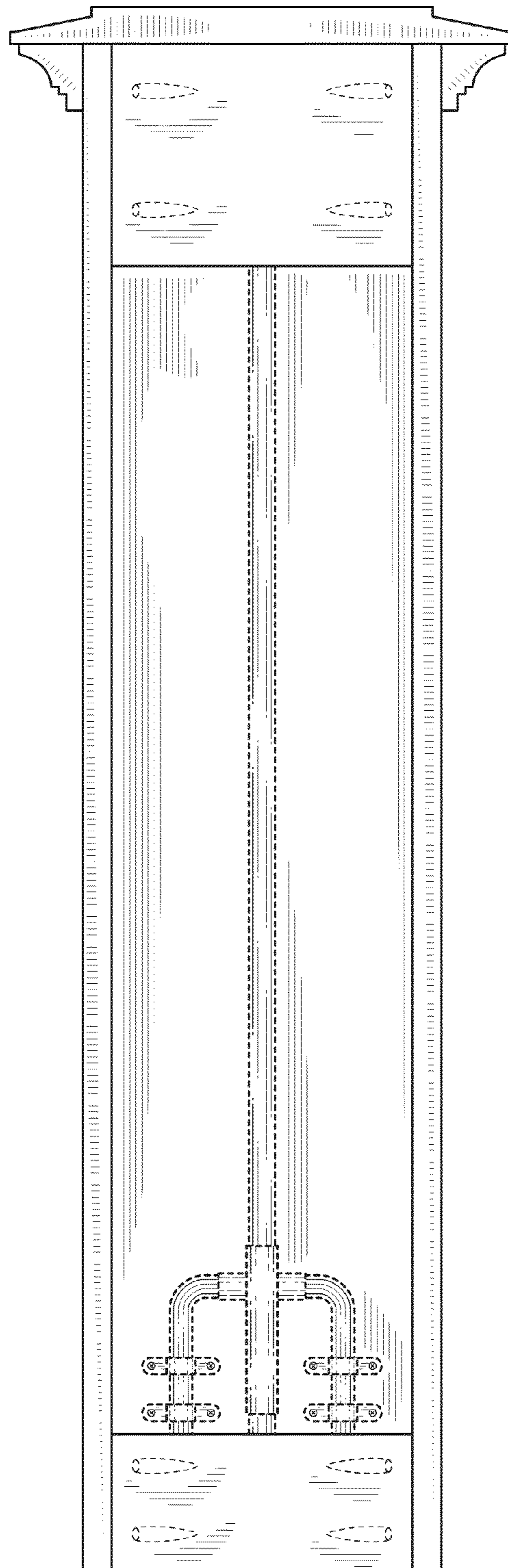


FIG. 4

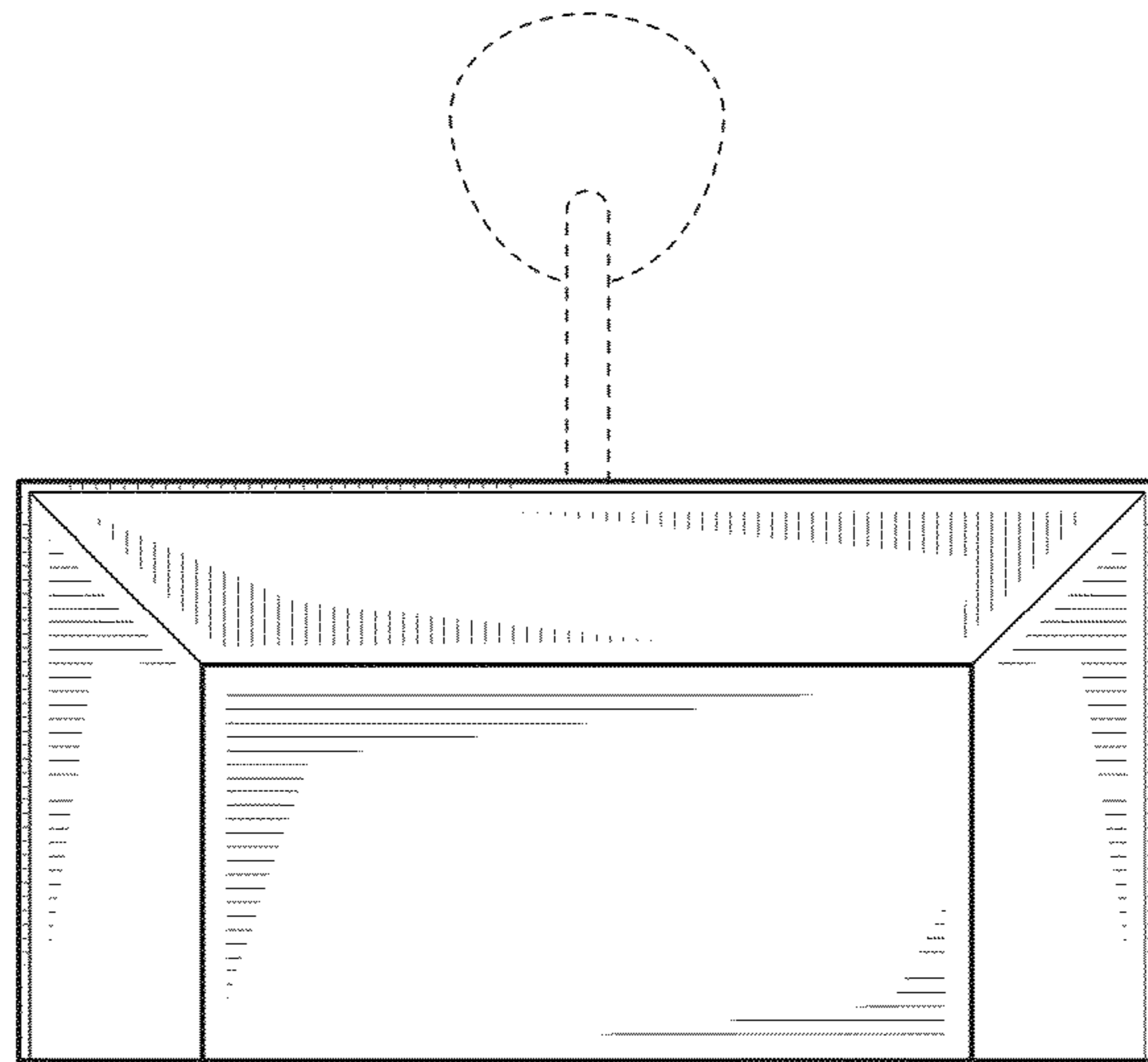


FIG. 5

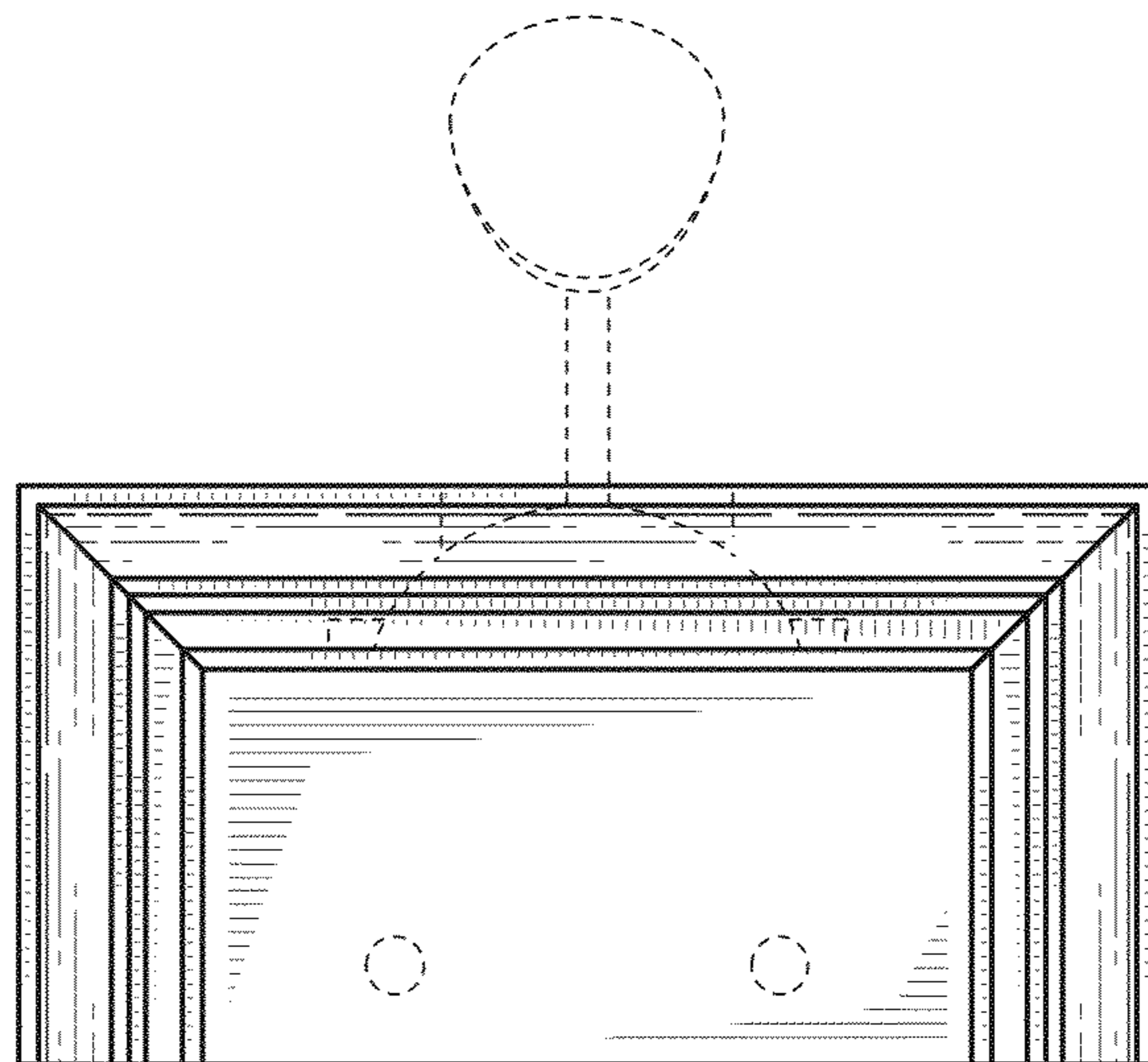


FIG. 6

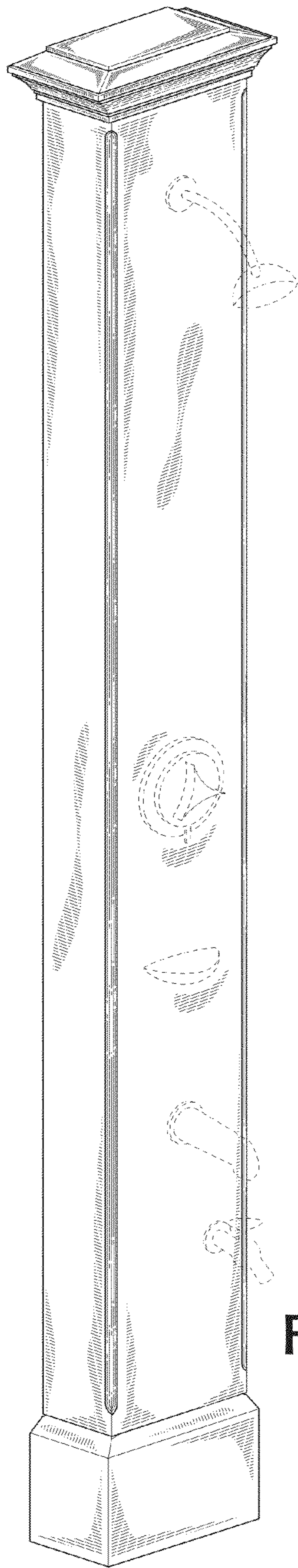


FIG. 7

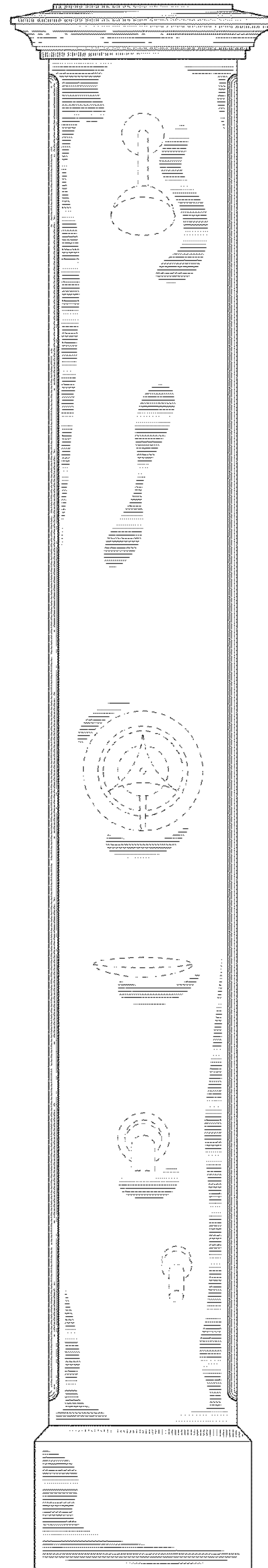


FIG. 8

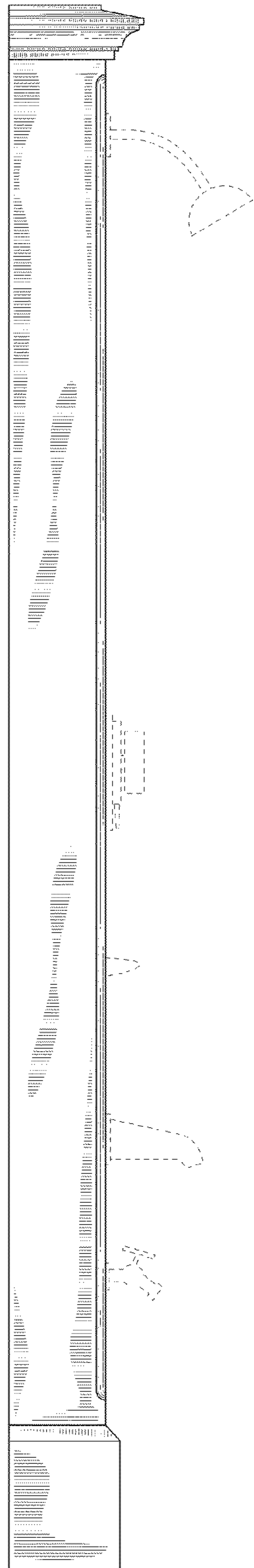


FIG. 9

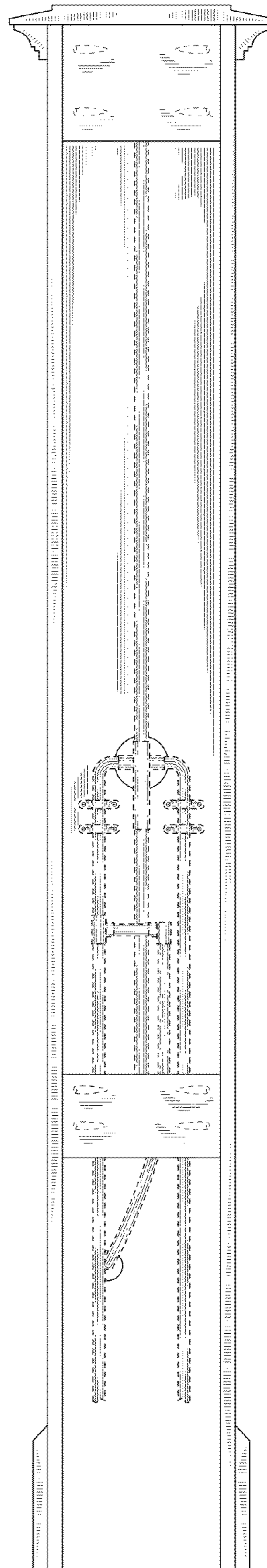


FIG. 10

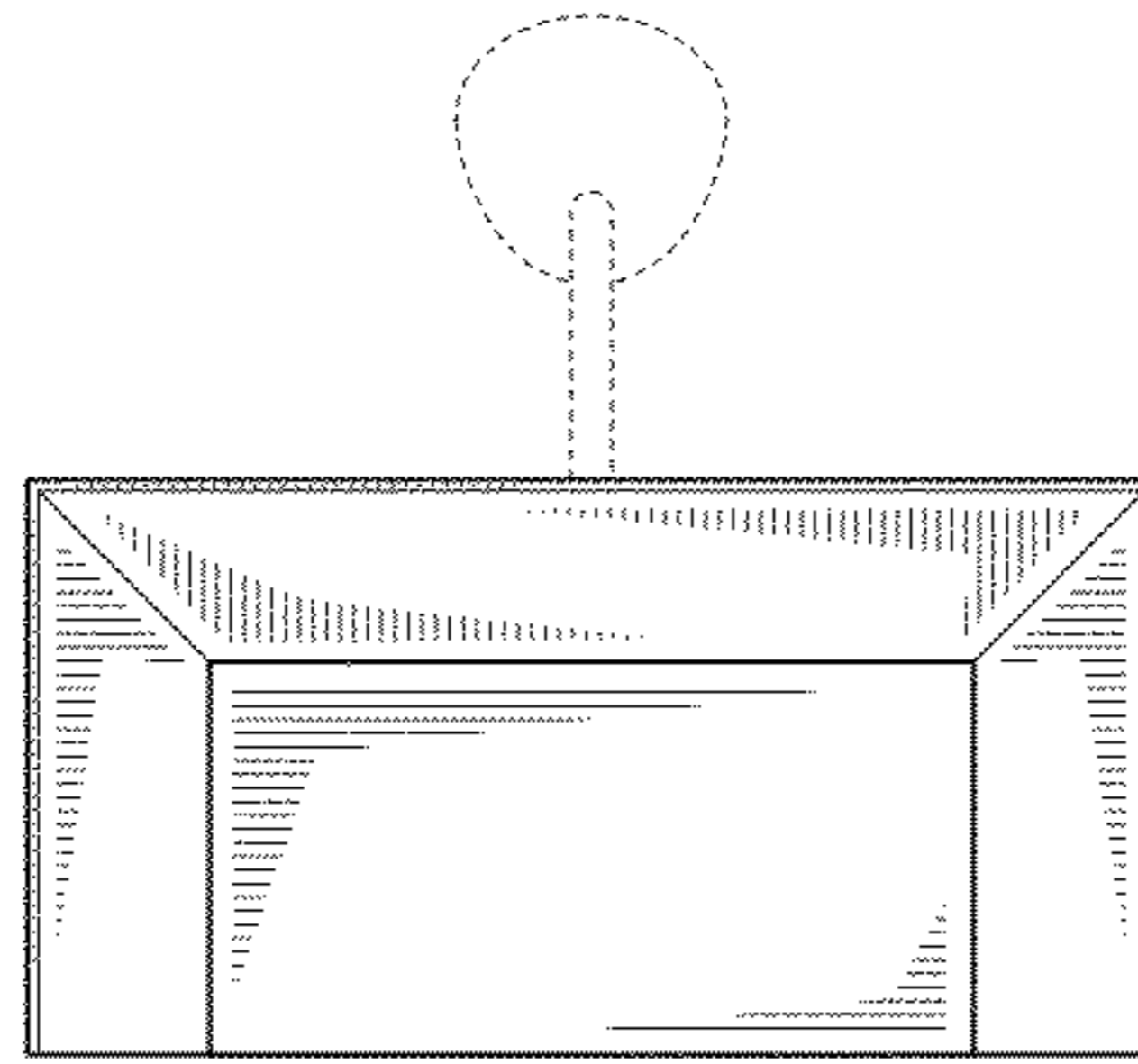


FIG. 11

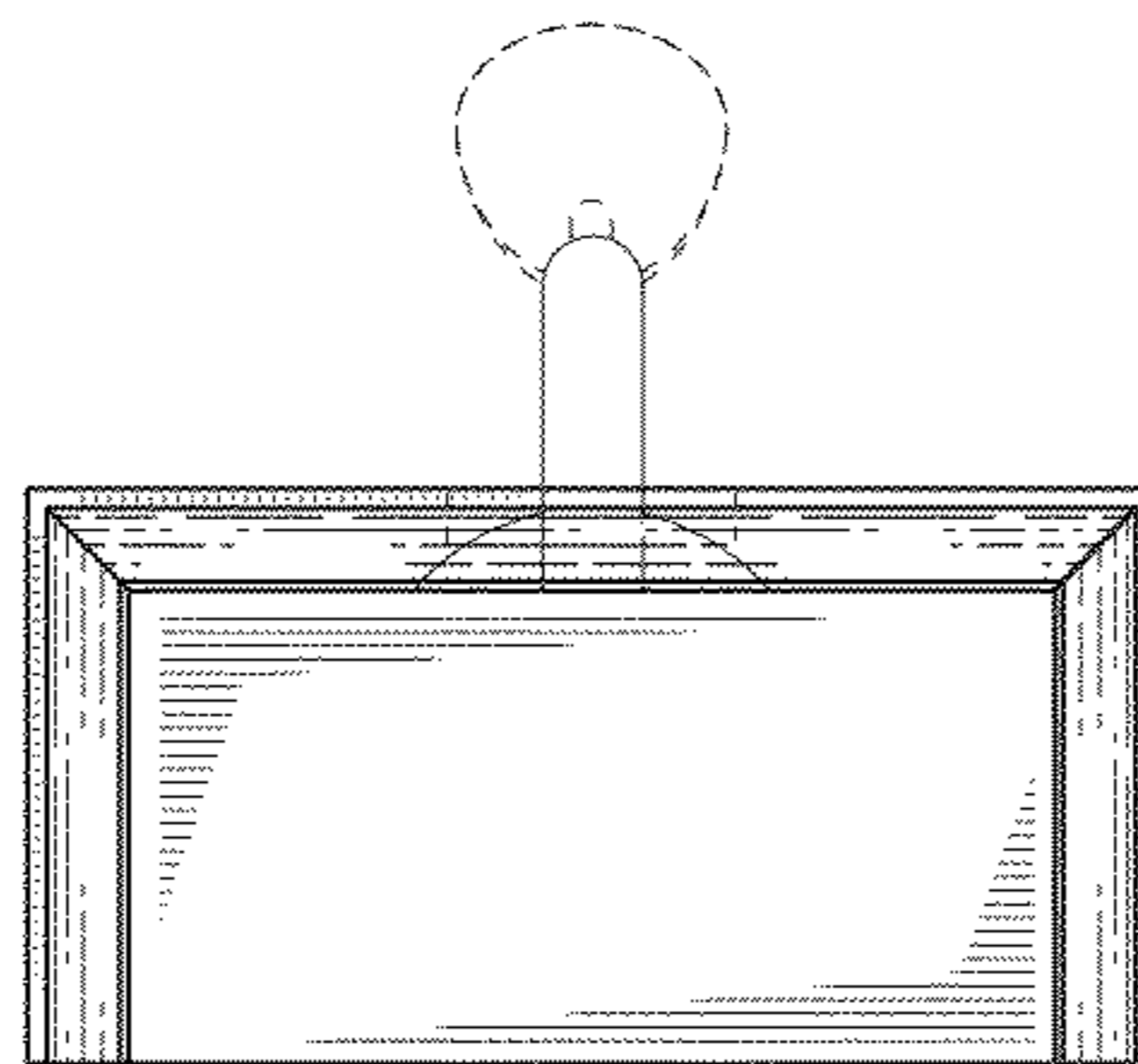


FIG. 12