



US00D716419S

(12) **United States Design Patent**
Hernandez et al.

(10) **Patent No.:** **US D716,419 S**
(45) **Date of Patent:** **** Oct. 28, 2014**

(54) **HOSE CONNECTOR**

(71) Applicant: **Fluidmaster, Inc.**, San Juan Capistrano, CA (US)

(72) Inventors: **Francisco Hernandez**, Cerritos, CA (US); **Jeremy Wilkens**, Newport Beach, CA (US); **Andrew Au**, Huntington Beach, CA (US); **Chevy Ho**, Garden Grove, CA (US)

(73) Assignee: **Fluidmaster, Inc.**, San Juan Capistrano, CA (US)

(**) Term: **14 Years**

(21) Appl. No.: **29/443,799**

(22) Filed: **Jan. 22, 2013**

(51) **LOC (10) Cl.** **23-01**

(52) **U.S. Cl.**
USPC **D23/259**

(58) **Field of Classification Search**
USPC D23/259–269; D8/382, 387; D13/155;
D24/129; 285/58, 83; 138/109;
123/468
See application file for complete search history.

(56) **References Cited**

U.S. PATENT DOCUMENTS

1,543,356	A	*	6/1925	Arnold	285/314
D241,618	S	*	9/1976	Toomingas	D8/385
D296,581	S	*	7/1988	Hattori	D23/262
D323,207	S	*	1/1992	Cole et al.	D23/266
D369,409	S	*	4/1996	Salter	D24/129
D445,895	S	*	7/2001	Svensen	D24/112
D586,435	S	*	2/2009	Reckseen	D23/266
D616,969	S	*	6/2010	Zore	D23/262

D623,264	S	*	9/2010	Parrott	D23/213
D629,891	S	*	12/2010	Virr et al.	D24/129
D629,892	S	*	12/2010	Hill et al.	D24/129
D634,087	S	*	3/2011	Sgroi et al.	D32/40
D638,537	S	*	5/2011	Virr et al.	D24/129
D638,933	S	*	5/2011	Hill et al.	D24/129
D652,916	S	*	1/2012	Row et al.	D24/129
D652,917	S	*	1/2012	Hill et al.	D24/129
D698,882	S	*	2/2014	Vassallo	D21/771

* cited by examiner

Primary Examiner — Eric Goodman

Assistant Examiner — John Reickel

(74) *Attorney, Agent, or Firm* — Gordon Rees Scully Mansukhani LLP

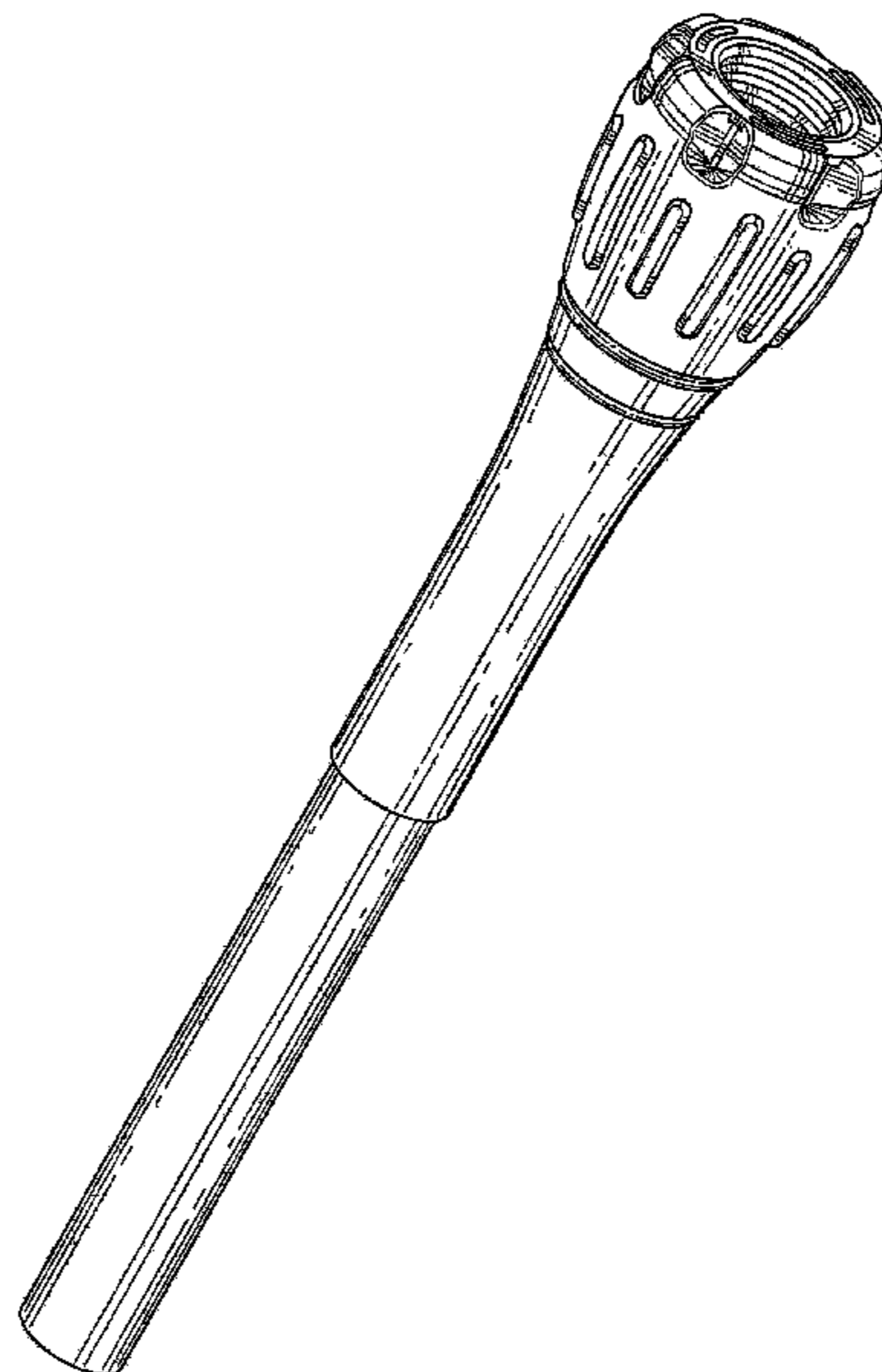
(57) **CLAIM**

The ornamental design for a hose connector, as shown and described.

DESCRIPTION

FIG. 1 is a perspective view of the hose connector.
FIG. 2 is a left side elevation view of the hose connector.
FIG. 3 is a right side elevation view of the hose connector.
FIG. 4 is a front elevation view of the hose connector.
FIG. 5 is a back elevation view of the hose connector.
FIG. 6 is a top plan view of the hose connector.
FIG. 7 is a bottom plan view of the hose connector.
FIG. 8 is a perspective view similar to FIG. 1, but adding an optional cover shown in broken lines.
FIG. 9 is a left side elevation view similar to FIG. 2, but adding an optional cover shown in broken lines; and,
FIG. 10 is a right side elevation view similar to FIG. 3, but adding an optional cover shown in broken lines.
Broken line is included for the purpose of illustrating portions of the hose connector and an optional cover and forms no part of the claimed design.

1 Claim, 6 Drawing Sheets



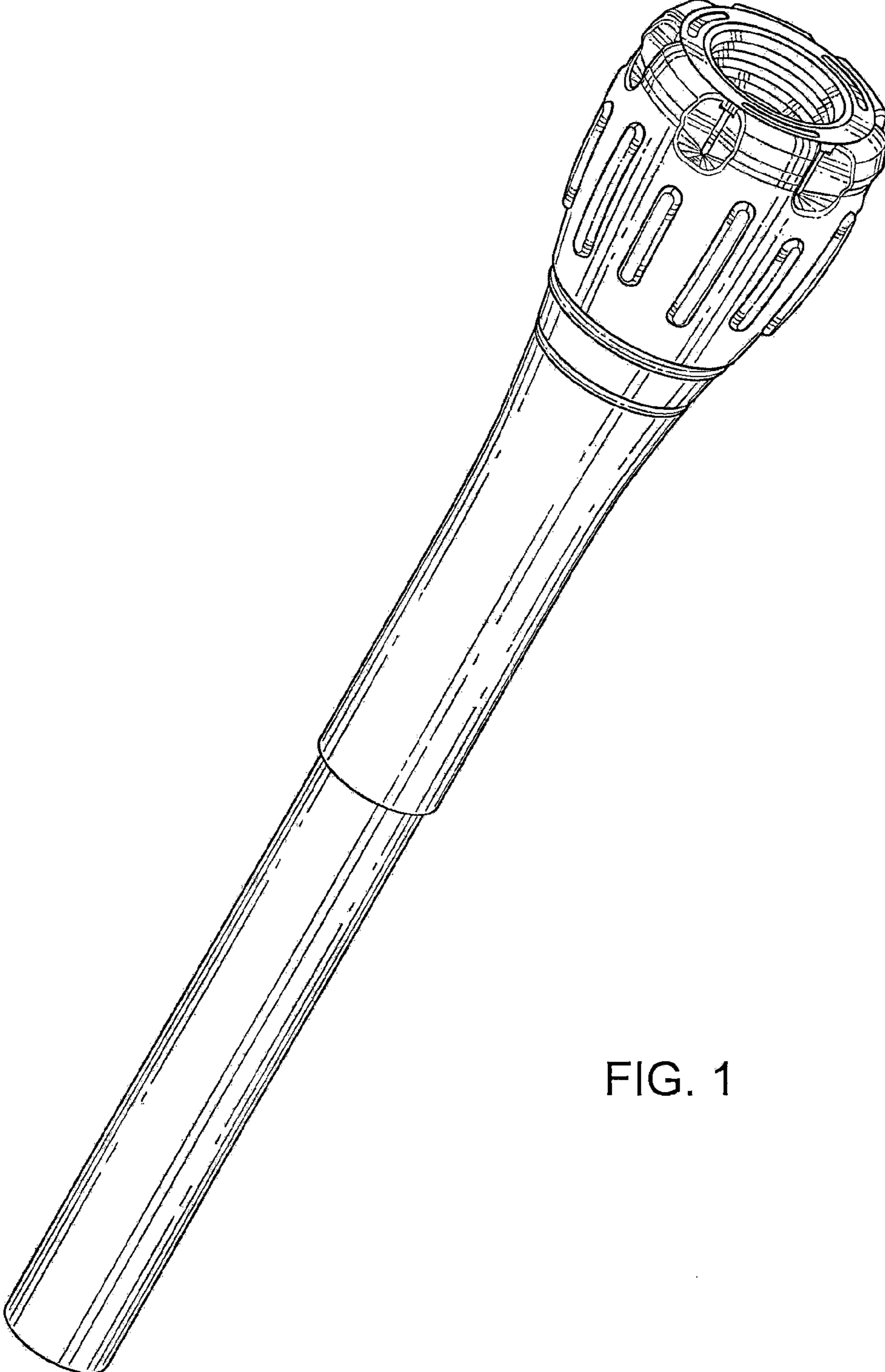


FIG. 1

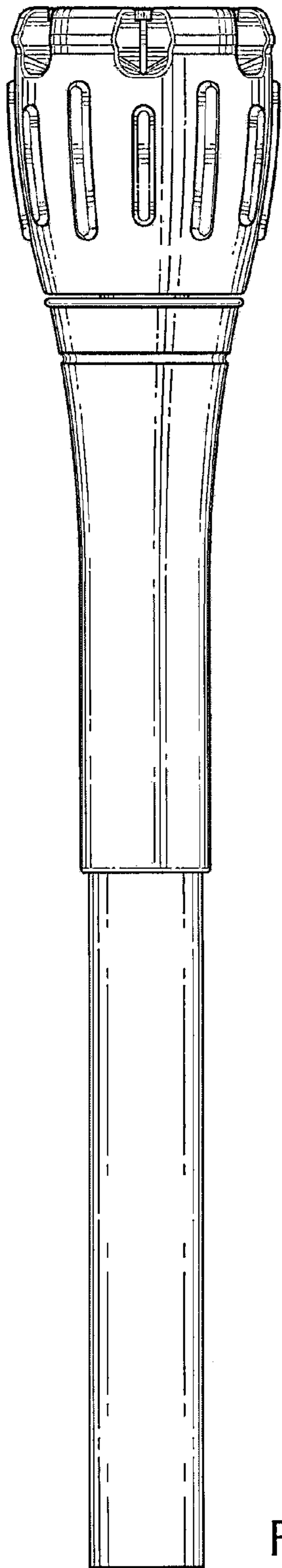


FIG. 2

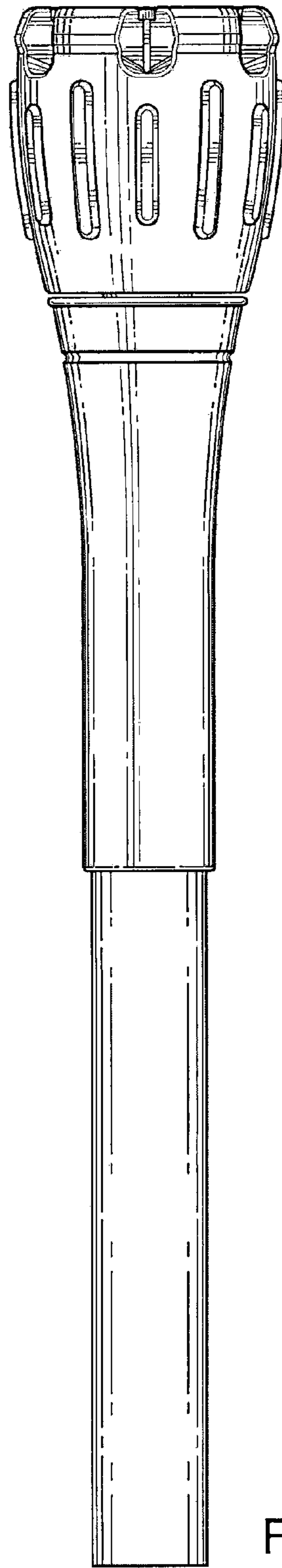


FIG. 3

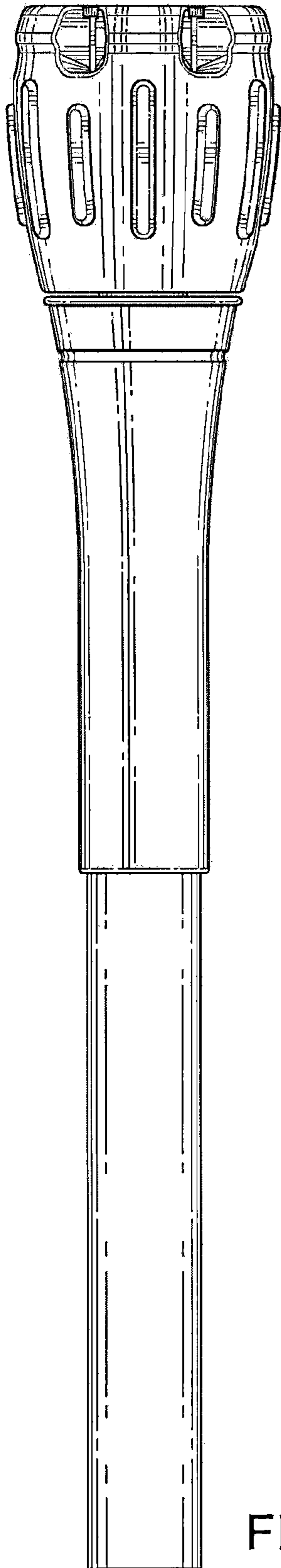


FIG. 4

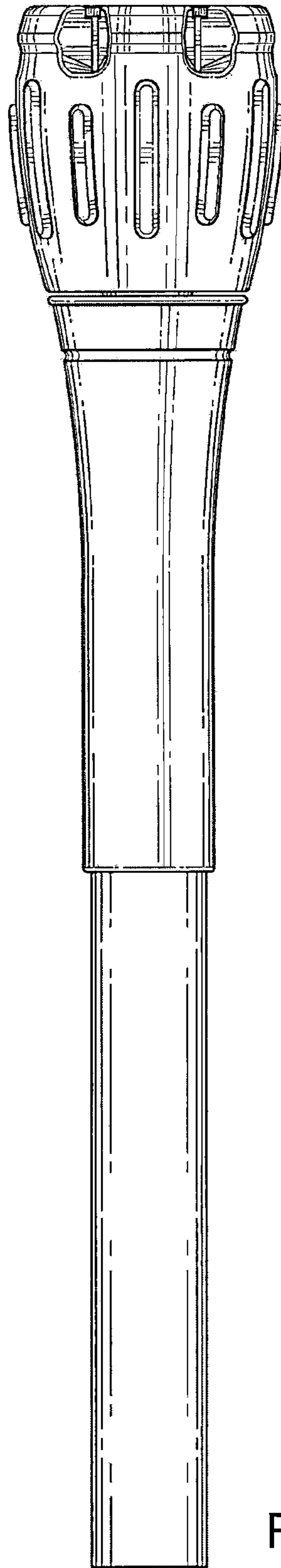


FIG. 5

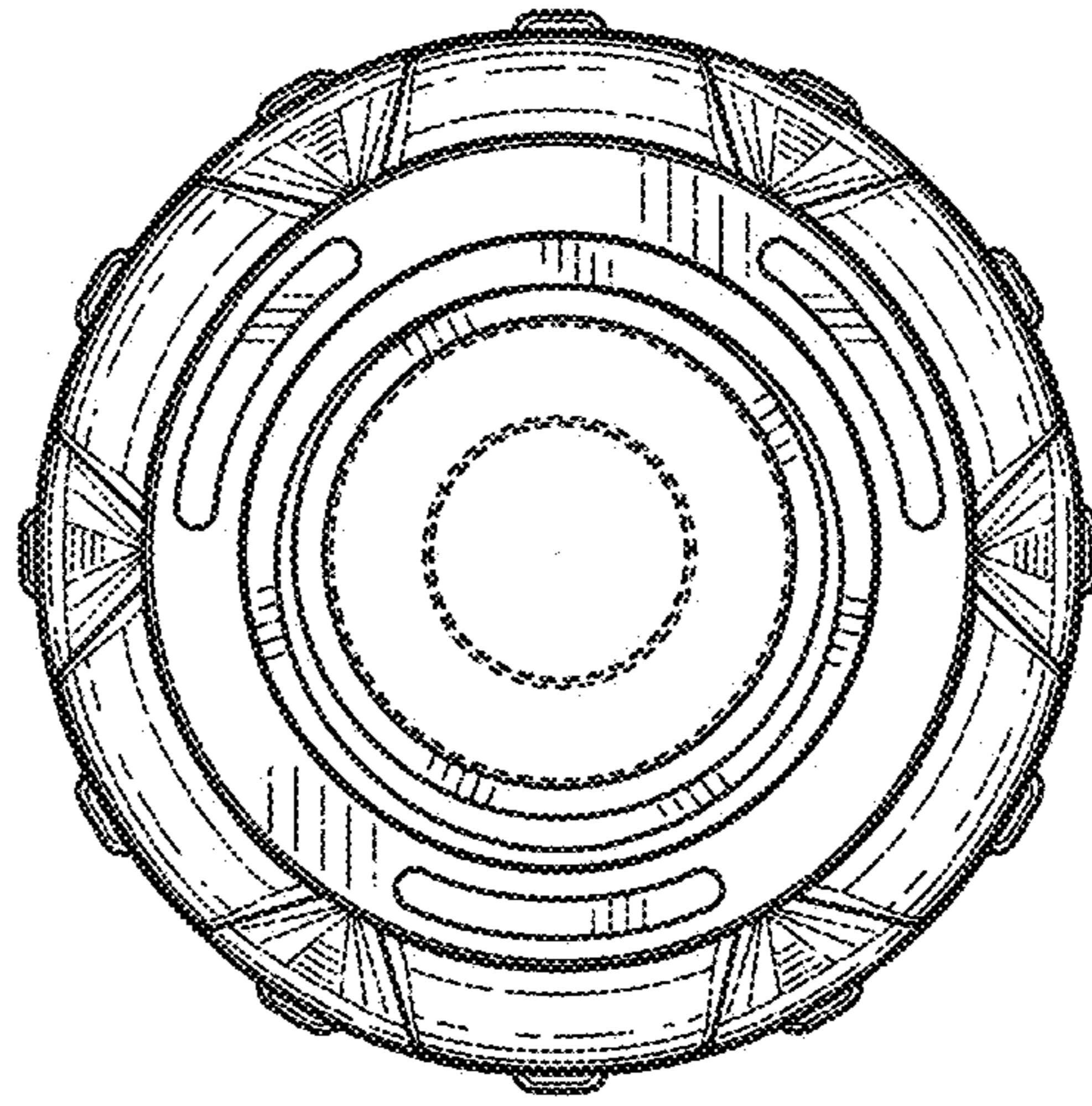


FIG. 6

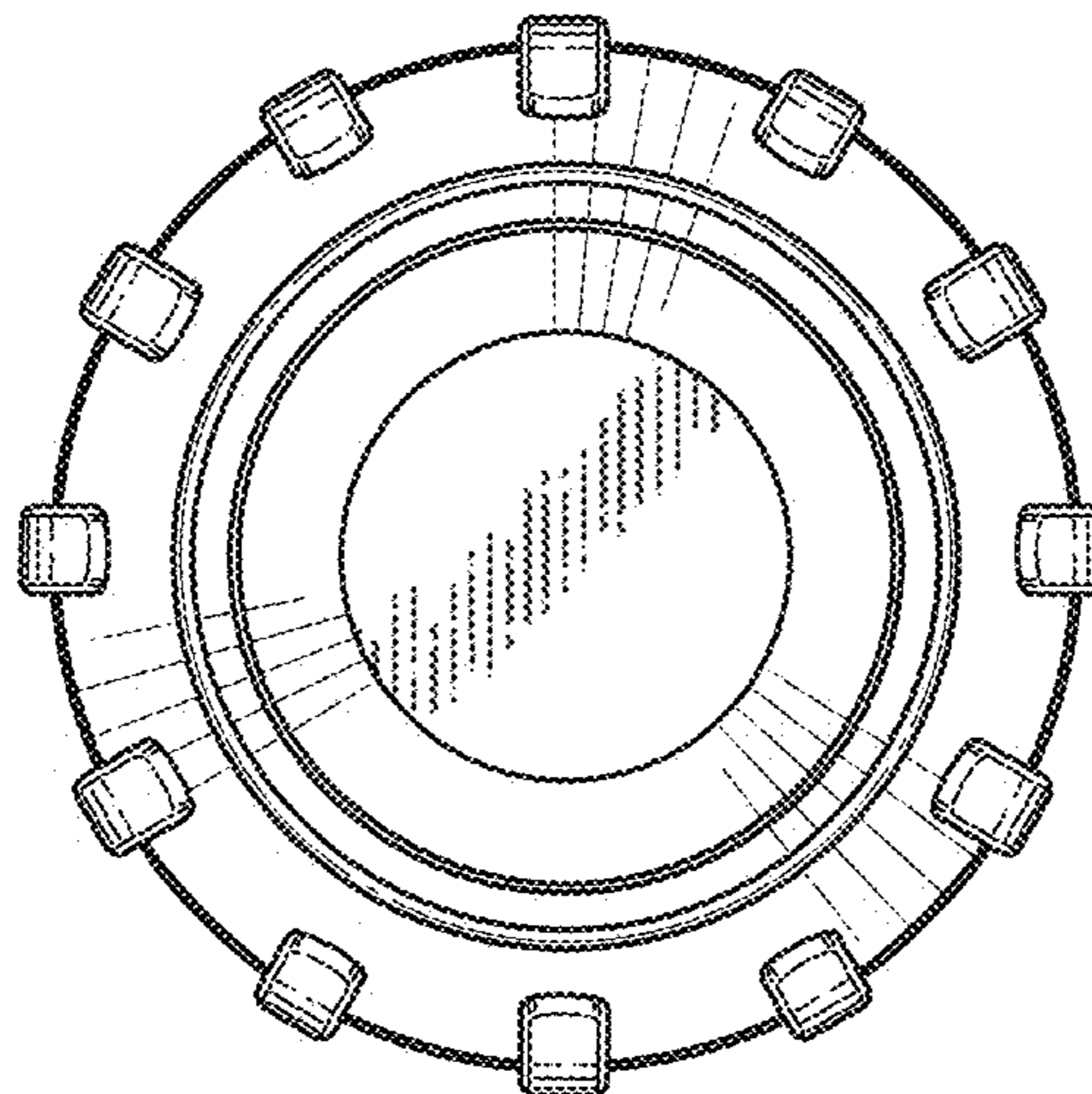


FIG. 7

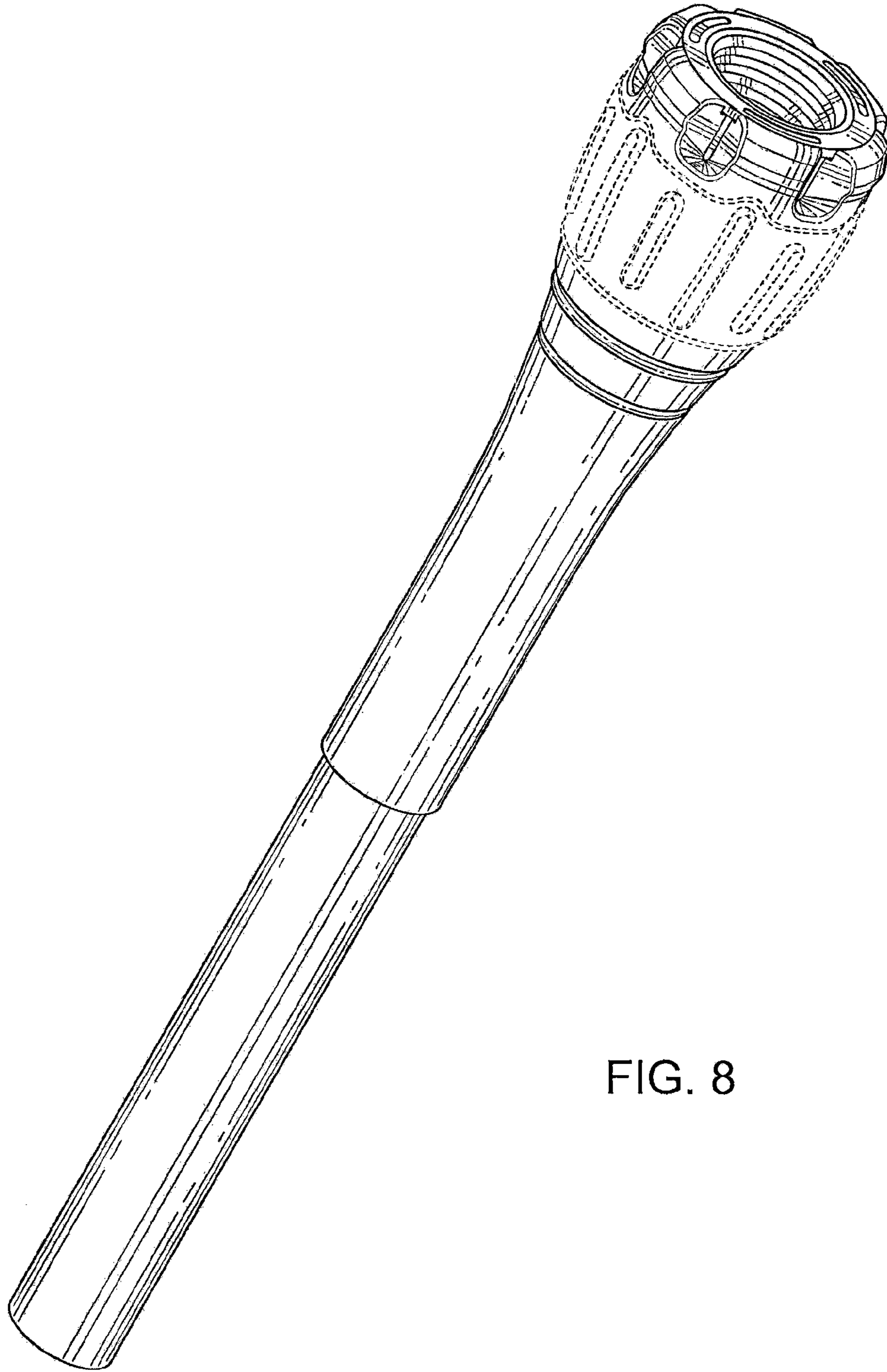


FIG. 8

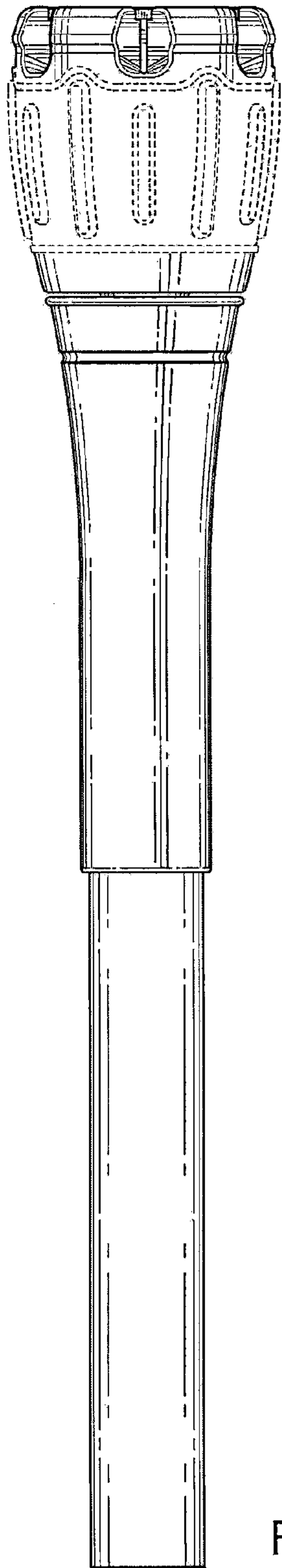


FIG. 9

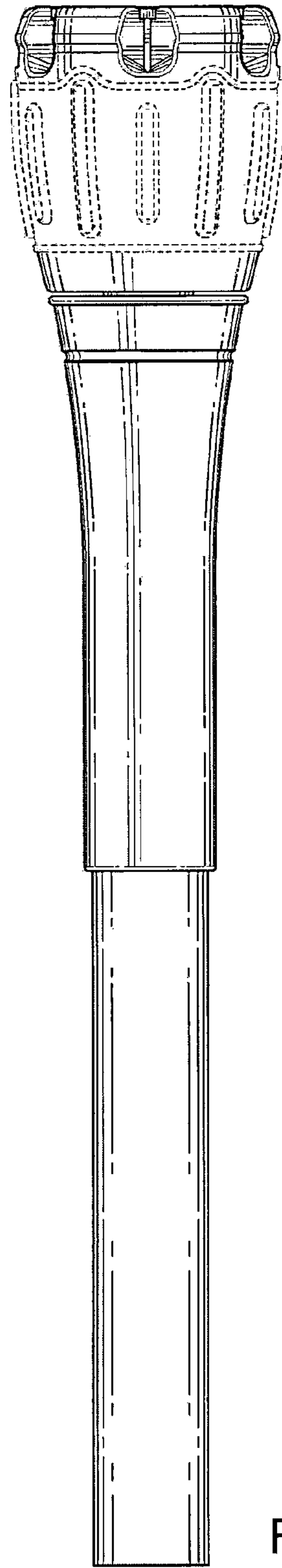


FIG. 10