



US00D716417S

(12) **United States Design Patent**
Harbour et al.

(10) **Patent No.:** **US D716,417 S**

(45) **Date of Patent:** **** Oct. 28, 2014**

(54) **HOSE CONNECTION THIMBLE**

(71) Applicants: **Robert K. Harbour**, Springfield, IL
(US); **Damon Dennis**, Pawnee, IL (US)

(72) Inventors: **Robert K. Harbour**, Springfield, IL
(US); **Damon Dennis**, Pawnee, IL (US)

(**) Term: **14 Years**

(21) Appl. No.: **29/472,584**

(22) Filed: **Nov. 13, 2013**

Related U.S. Application Data

(63) Continuation of application No. 12/802,406, filed on
Jun. 7, 2010, now abandoned.

(51) **LOC (10) Cl.** **23-01**

(52) **U.S. Cl.**
USPC **D23/245**

(58) **Field of Classification Search**
USPC D23/233-237, 244-249; 137/801,
137/625.18; 251/309-310, 315.01, 315.14,
251/315.15, 315.1

See application file for complete search history.

(56) **References Cited**

U.S. PATENT DOCUMENTS

1,181,984	A *	5/1916	Arni	138/90
1,933,711	A *	11/1933	Cornell, Jr.	285/189
3,116,756	A *	1/1964	Alderson	137/875
3,327,641	A *	6/1967	Klosterman	417/507
4,091,841	A *	5/1978	Beneker et al.	138/89
4,100,929	A *	7/1978	Harrison	137/15.11
4,122,869	A *	10/1978	Roberson, Sr.	138/93

4,203,473	A *	5/1980	Roberson, Sr.	138/93
4,458,721	A *	7/1984	Yie et al.	138/93
D304,486	S *	11/1989	Elder et al.	D23/233
D386,137	S *	11/1997	Bailey	D12/194
D394,310	S *	5/1998	Rector	D23/233
D516,678	S *	3/2006	Tripp et al.	D23/245
D522,616	S *	6/2006	Minnick et al.	D23/233
D647,598	S *	10/2011	Matusche	D23/233
D678,981	S *	3/2013	Shengyong	D23/233
D690,390	S *	9/2013	Garm et al.	D23/233
D690,800	S *	10/2013	Ren	D23/233
D692,100	S *	10/2013	Freeth	D23/233
D697,587	S *	1/2014	Nissen et al.	D23/233

* cited by examiner

Primary Examiner — Cynthia Ramirez

(74) *Attorney, Agent, or Firm* — Law Office of Robert M. Patino

(57) **CLAIM**

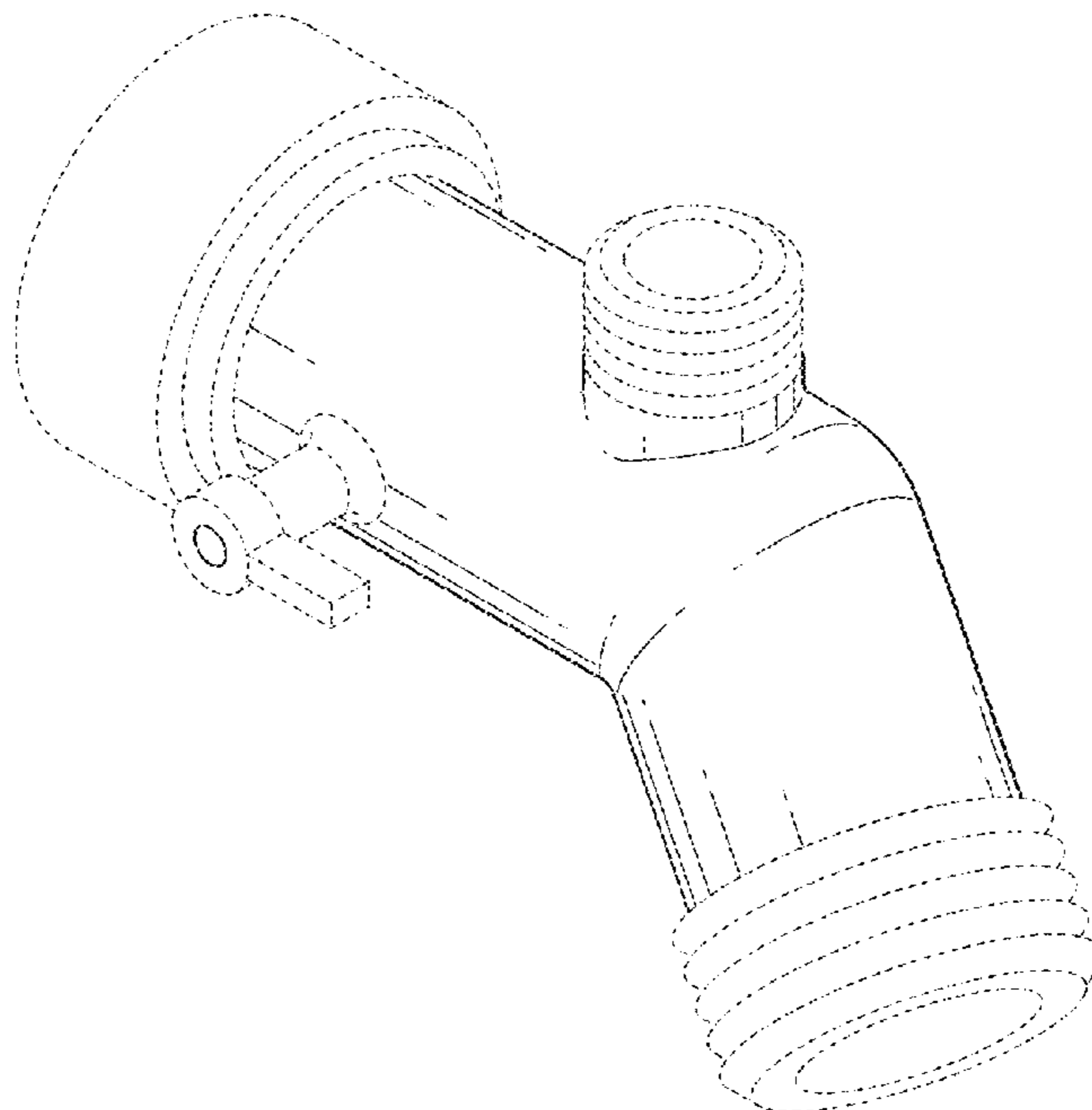
The ornamental design for a hose connection thimble, as shown and described.

DESCRIPTION

FIG. 1 is a top front perspective view of a hose connection thimble showing my new design;
FIG. 2 is a left-side elevational view thereof;
FIG. 3 is a right-side elevational view thereof;
FIG. 4 is a top plan view thereof;
FIG. 5 is a bottom plan view thereof;
FIG. 6 is a rear elevational view thereof; and,
FIG. 7 is a front elevational view thereof.

The broken lines shown in the figures are included for the purpose of illustrating elements of the hose connection thimble and form no part of the claimed design.

1 Claim, 3 Drawing Sheets



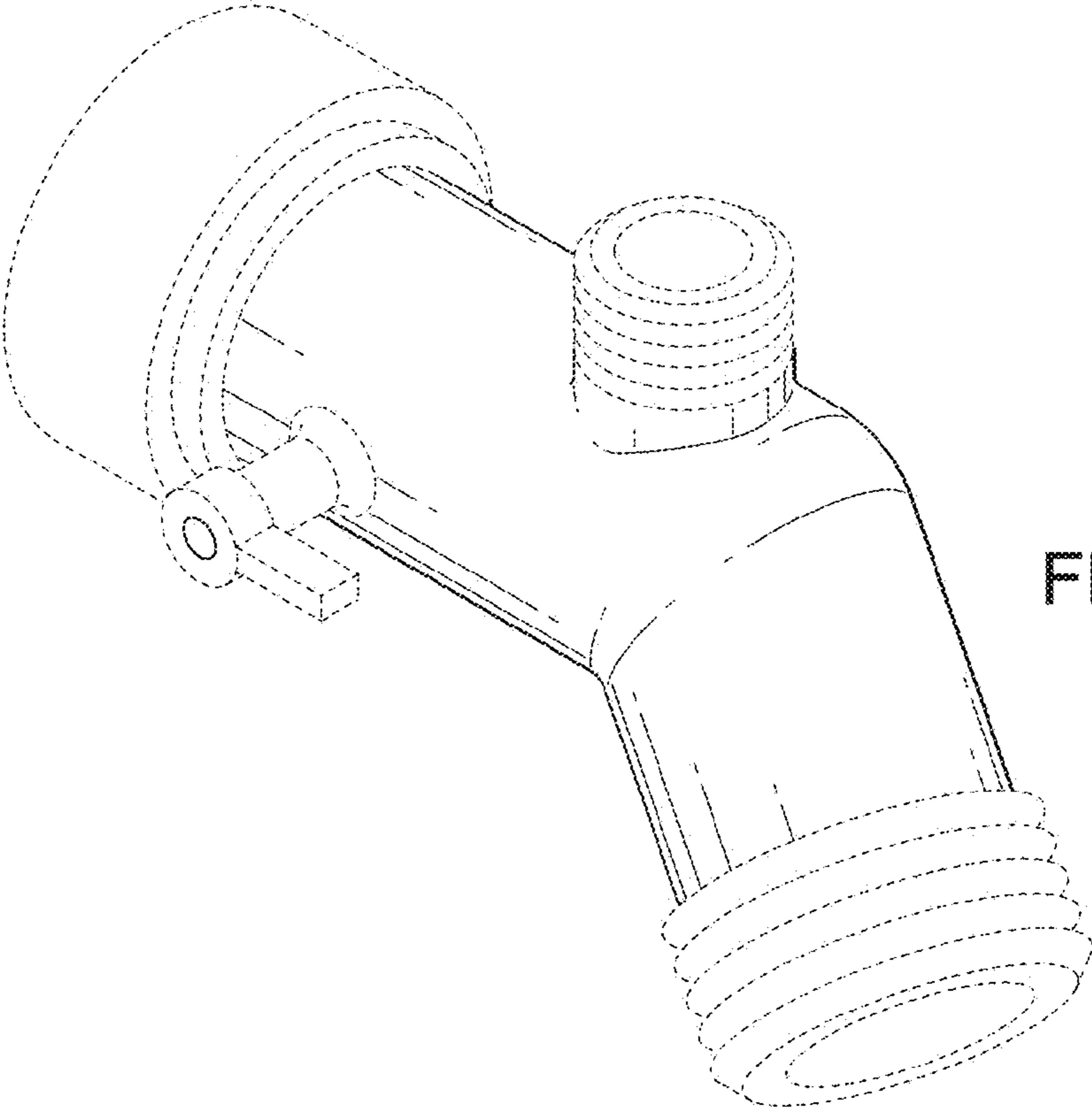


FIG. 1

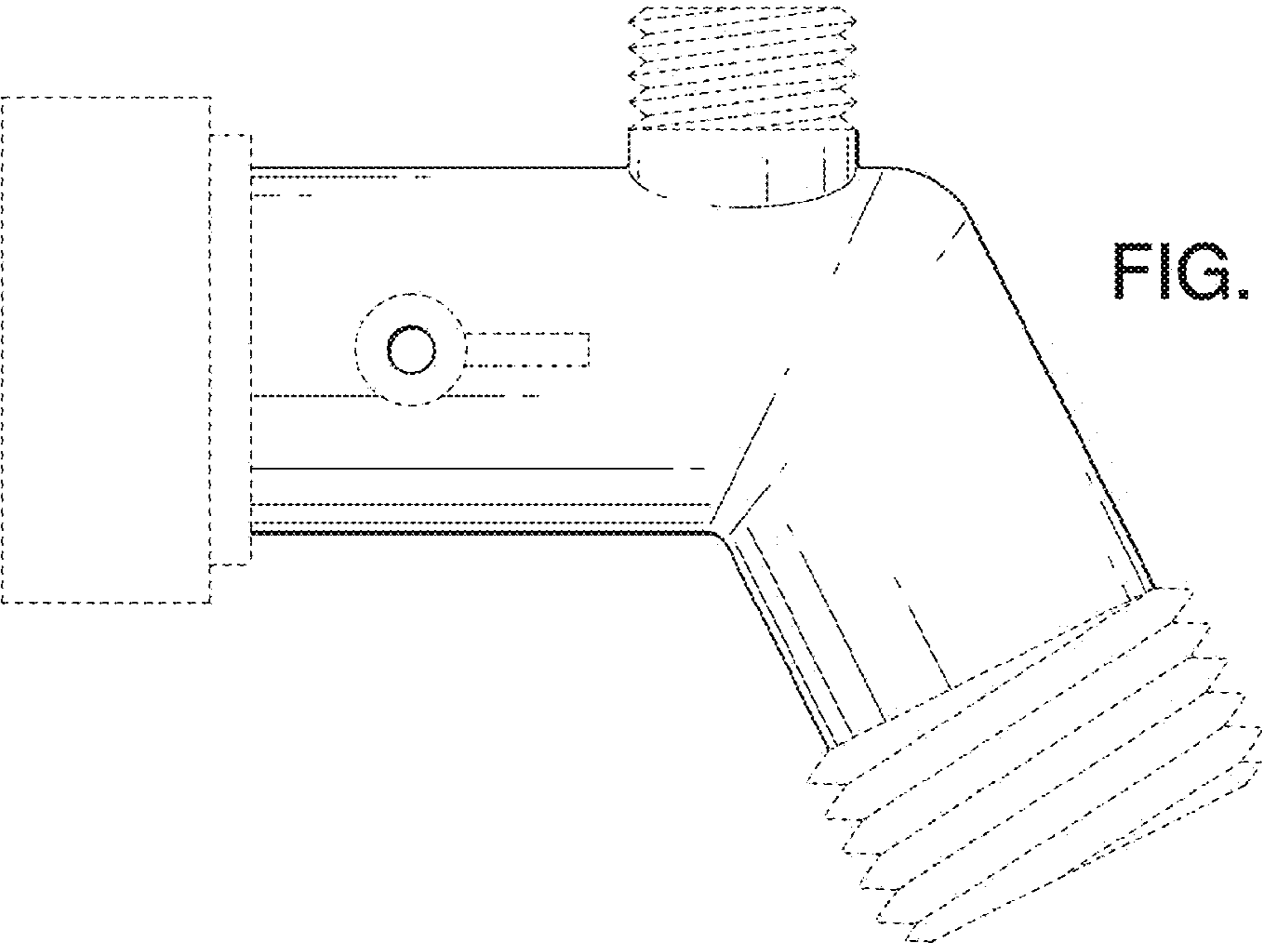


FIG. 2

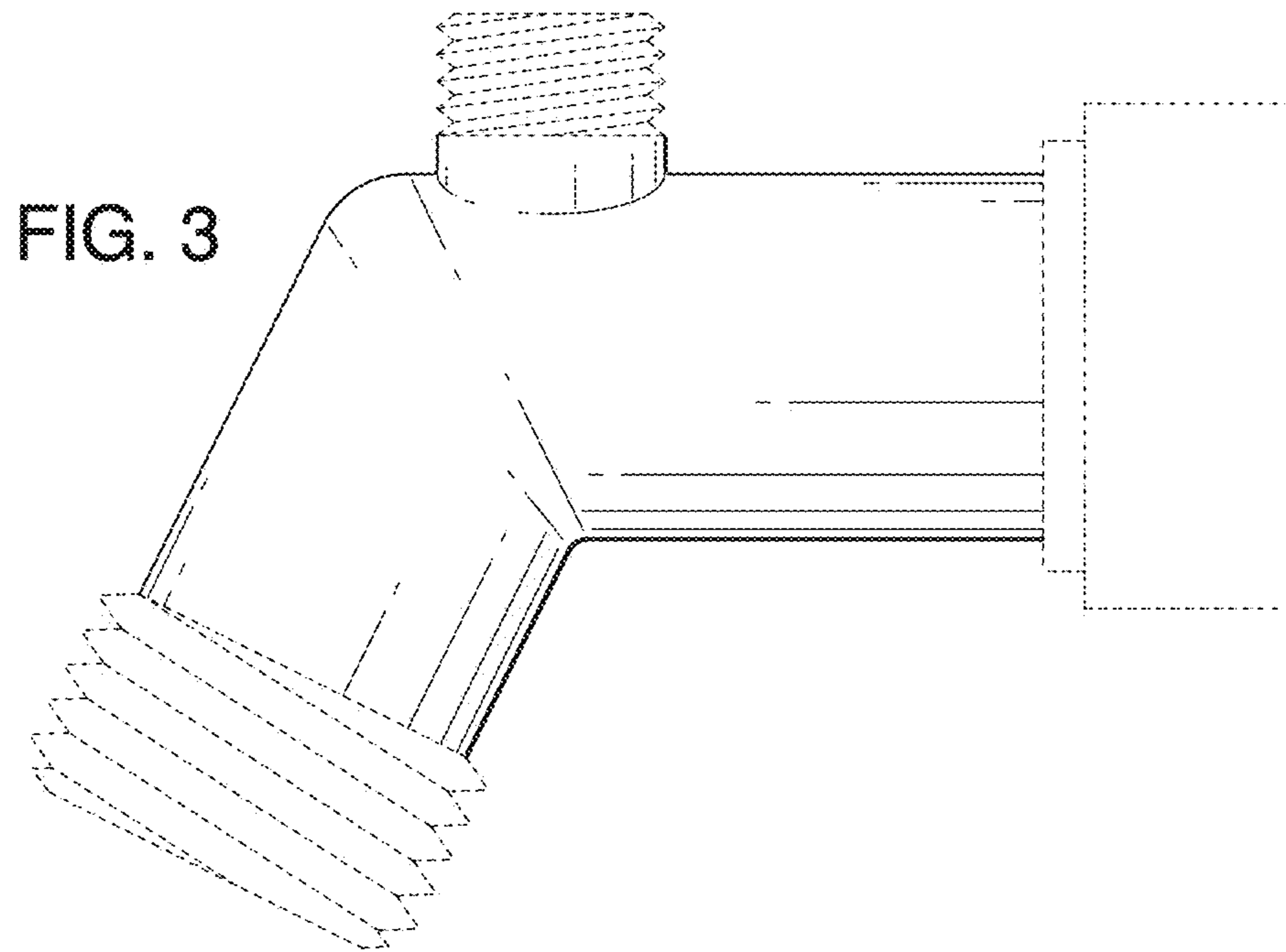
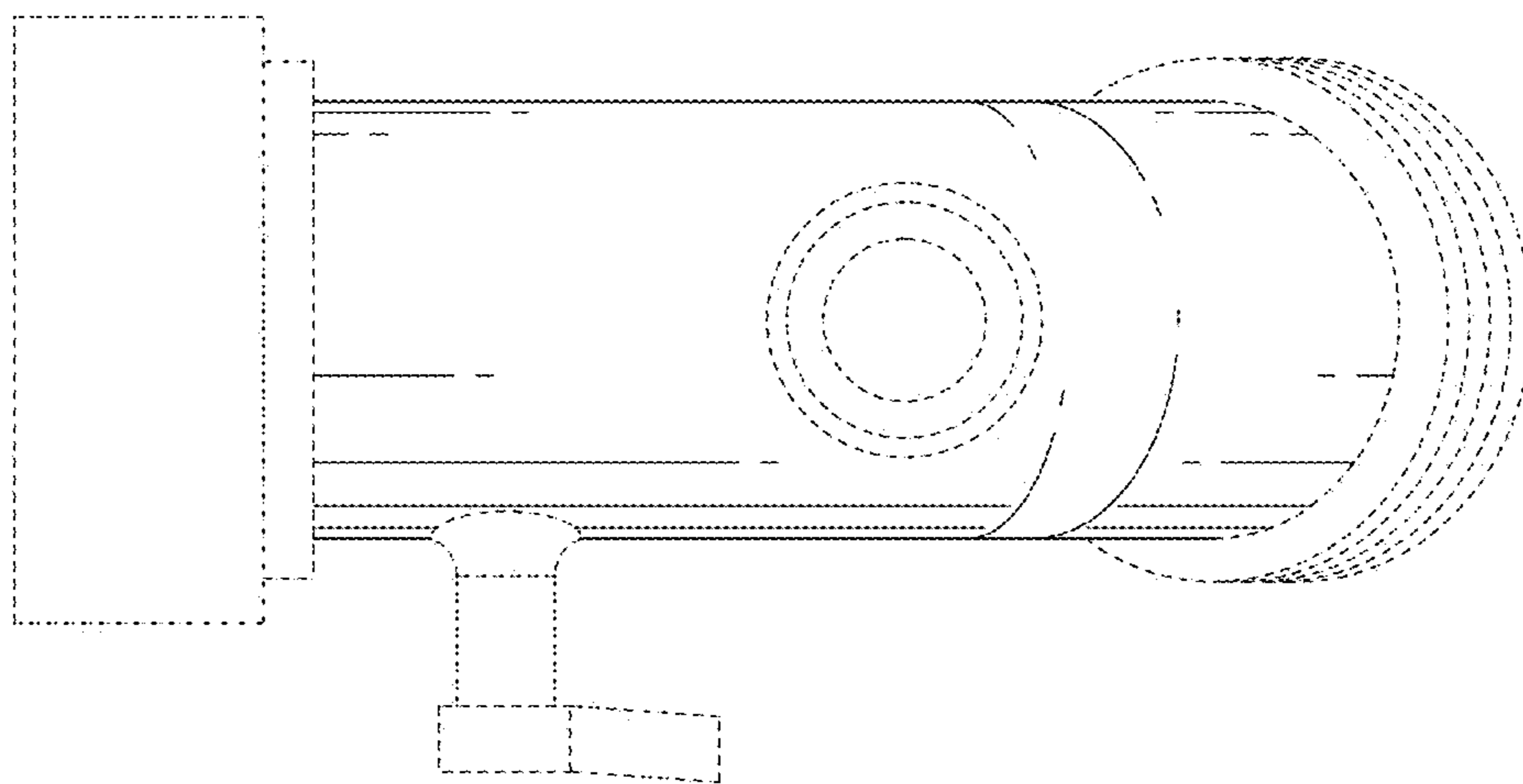


FIG. 4



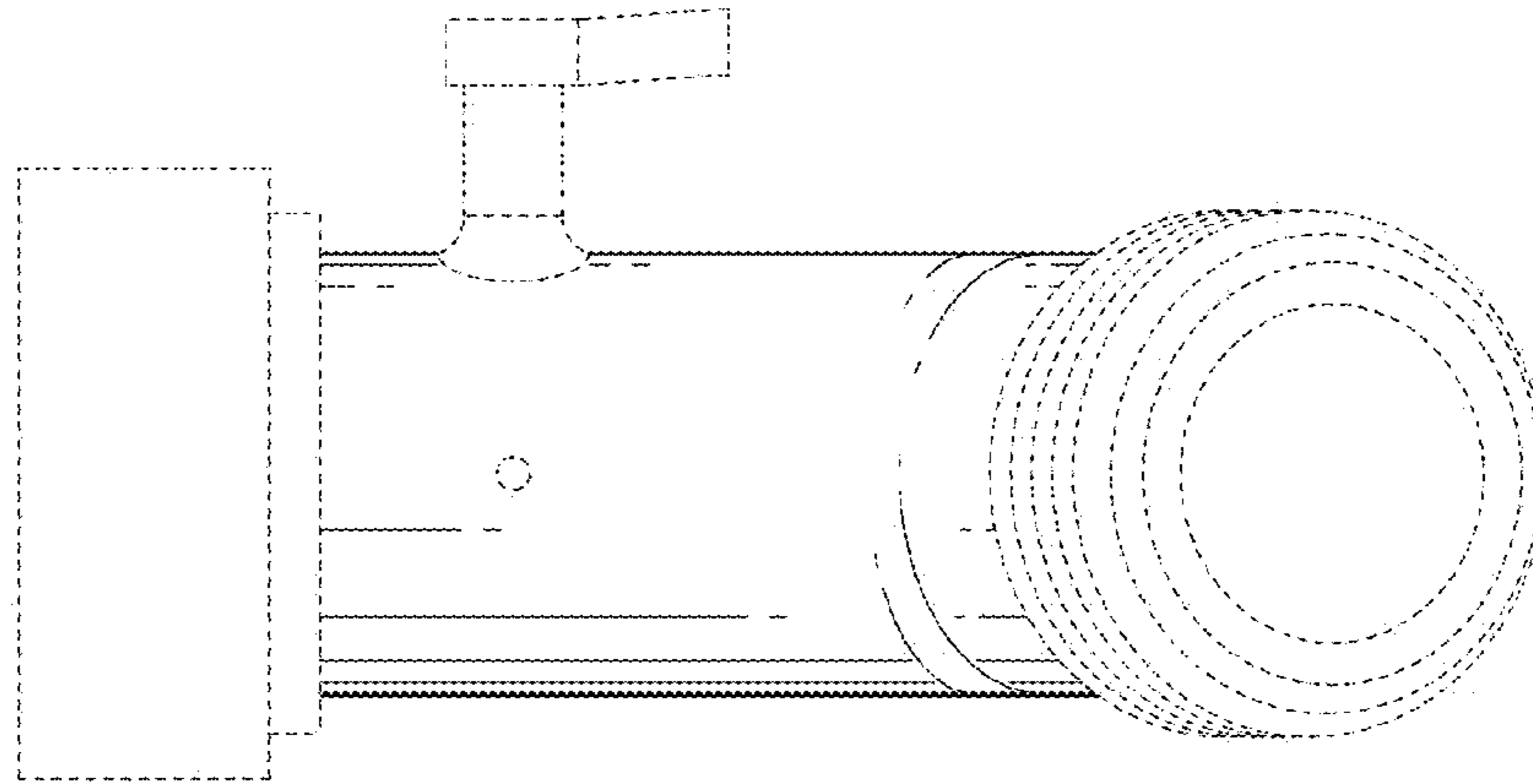


FIG. 5

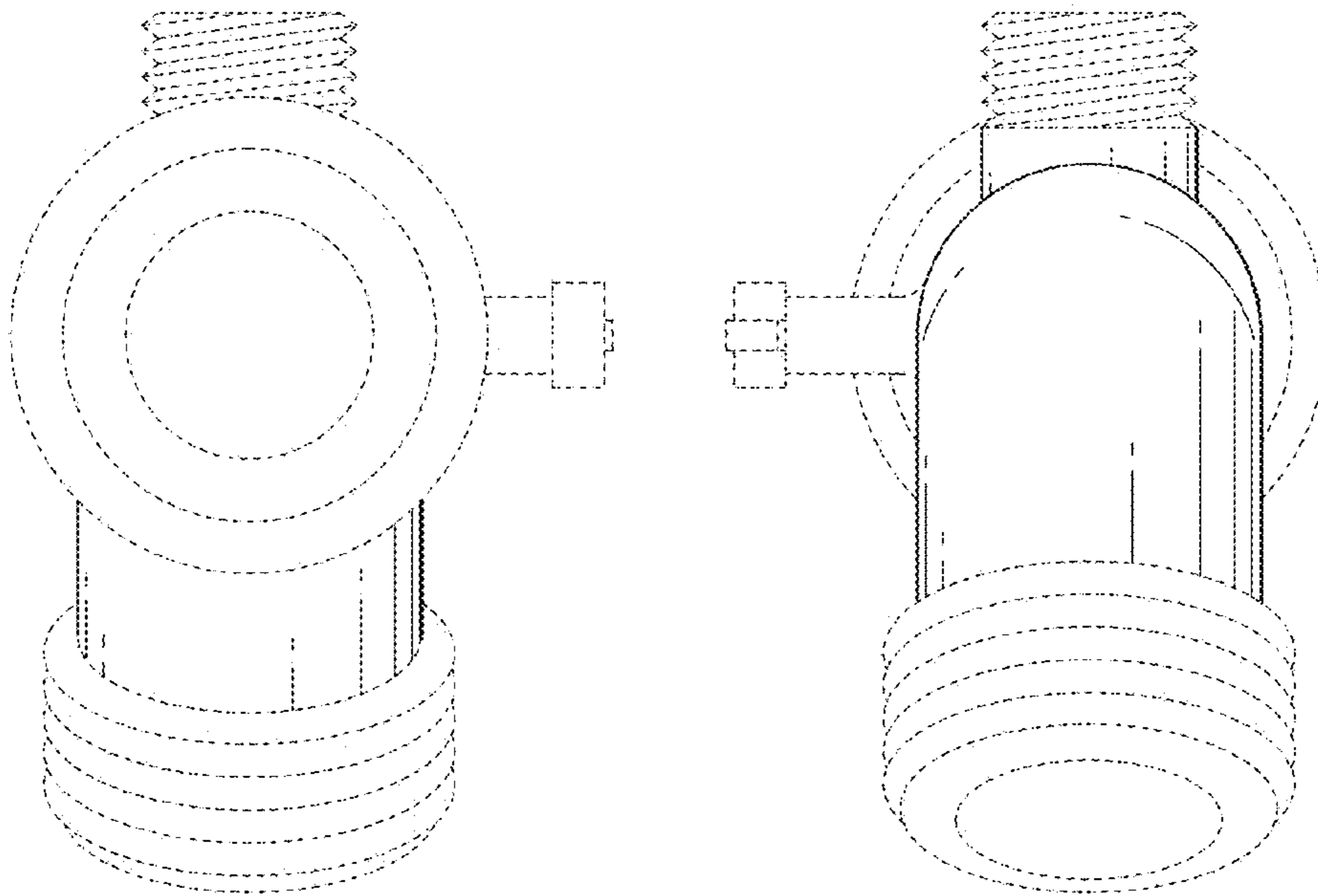


FIG. 6

FIG. 7