



US00D716413S

(12) **United States Design Patent**
Hosono

(10) **Patent No.:** **US D716,413 S**
(45) **Date of Patent:** **** Oct. 28, 2014**

(54) **FISHING REEL**

(71) Applicant: **Shimano Inc.**, Osaka (JP)

(72) Inventor: **Tomohiro Hosono**, Osaka (JP)

(73) Assignee: **Shimano Inc.**, Osaka (JP)

(**) Term: **14 Years**

(21) Appl. No.: **29/477,598**

(22) Filed: **Dec. 24, 2013**

(30) **Foreign Application Priority Data**

Jul. 1, 2013 (JP) 2012-014923

(51) **LOC (10) Cl.** **22-05**

(52) **U.S. Cl.**
USPC **D22/141**

(58) **Field of Classification Search**
USPC D22/137-141; 242/310-316, 223-224,
242/230, 283, 322, 241-243, 227;
43/19-22

See application file for complete search history.

(56) **References Cited**

U.S. PATENT DOCUMENTS

D497,969 S * 11/2004 Iwabuchi D22/141
D595,386 S 6/2009 Nago
D627,417 S 11/2010 Nago

D654,554 S * 2/2012 McCune et al. D22/141
D663,007 S * 7/2012 Koelewyn D22/141
D685,055 S 6/2013 Deguchi

* cited by examiner

Primary Examiner — Catheri Oliver-Garcia

(74) *Attorney, Agent, or Firm* — Global IP Counselors

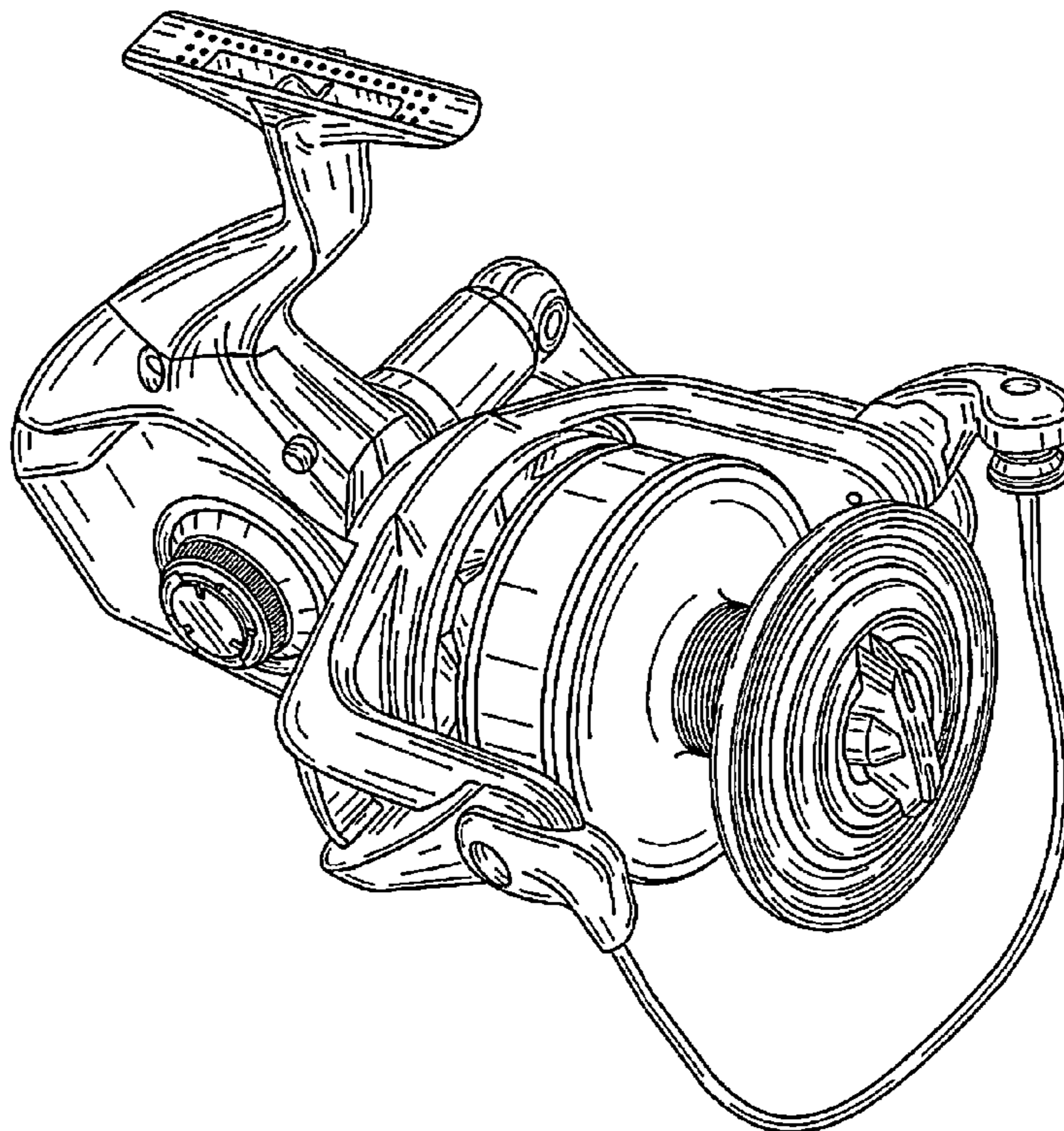
(57) **CLAIM**

The ornamental design for fishing reel, as shown and described.

DESCRIPTION

FIG. 1 is a first perspective view of a fishing reel in accordance with my new design;
FIG. 2 is a second perspective view of the fishing reel illustrated in FIG. 1;
FIG. 3 is a first side elevational view of the fishing reel illustrated in FIG. 1;
FIG. 4 is a second side elevational view of the fishing reel illustrated in FIG. 1;
FIG. 5 is a top plan view of the fishing reel with the fishing reel portion illustrated in FIG. 1;
FIG. 6 is a bottom plan view of the fishing reel with the fishing reel portion illustrated in FIG. 1;
FIG. 7 is a first end elevational view of the fishing reel illustrated in FIG. 1; and,
FIG. 8 is a second end elevational view of the fishing reel illustrated in FIG. 1.

1 Claim, 4 Drawing Sheets



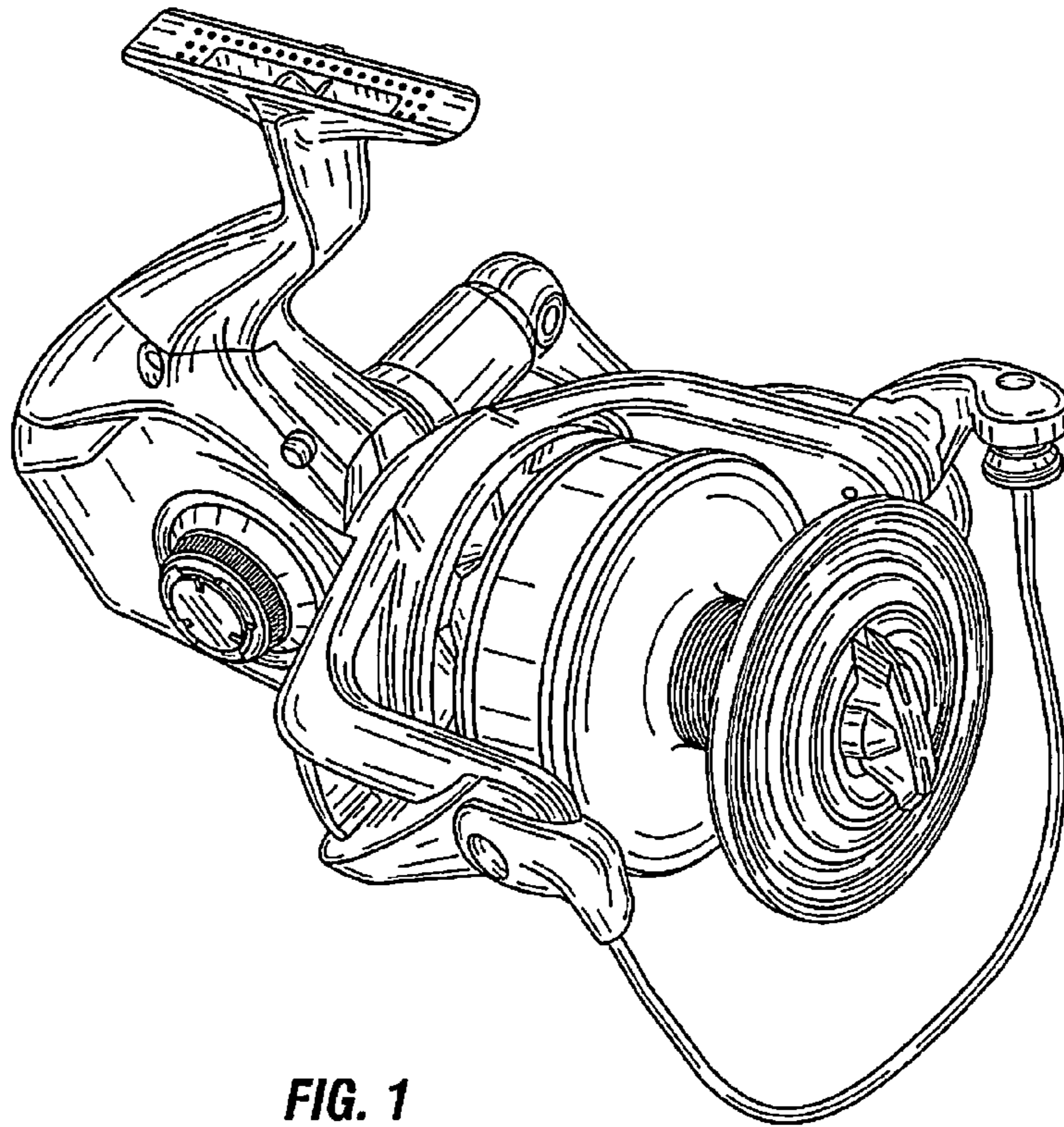


FIG. 1

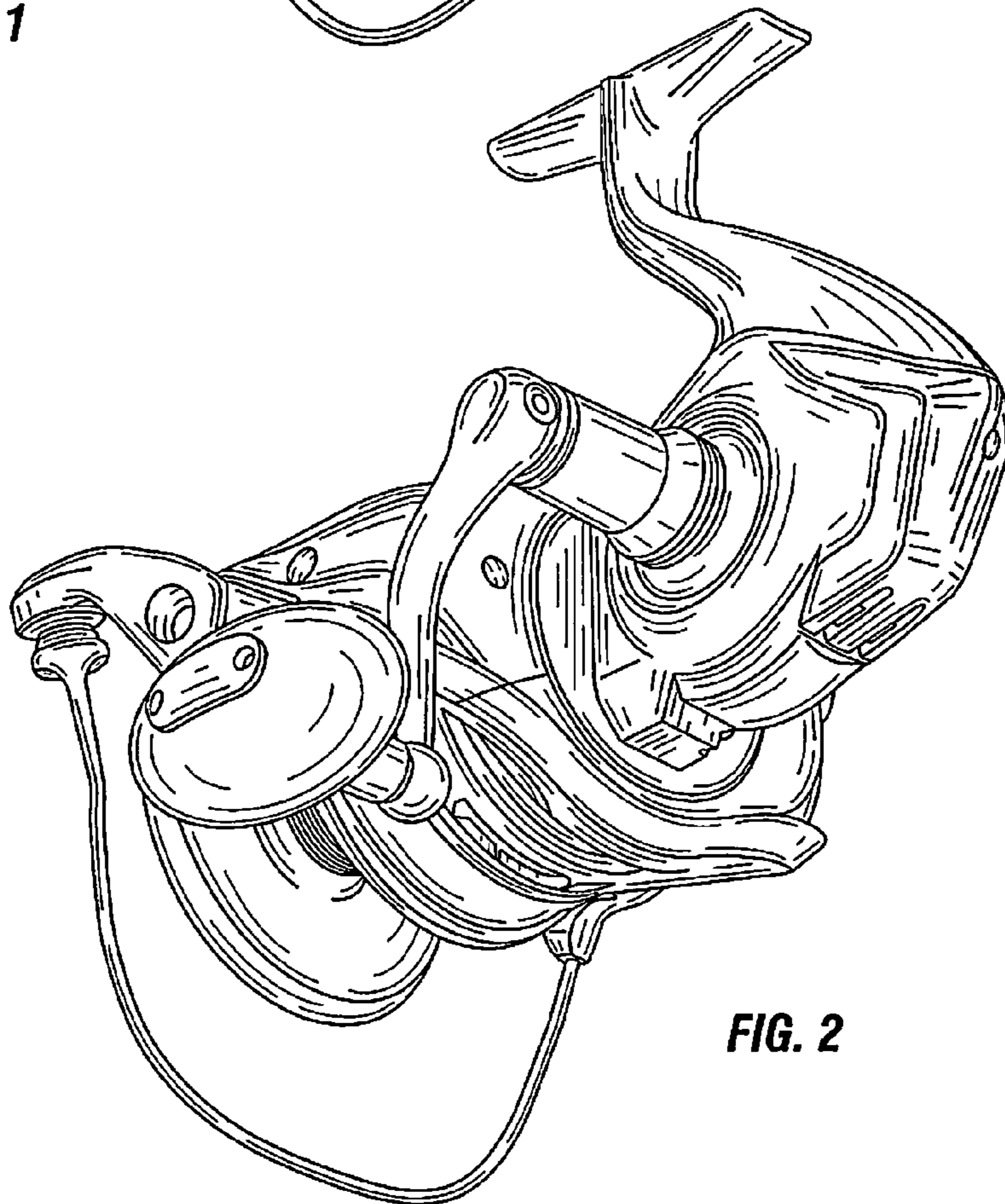


FIG. 2

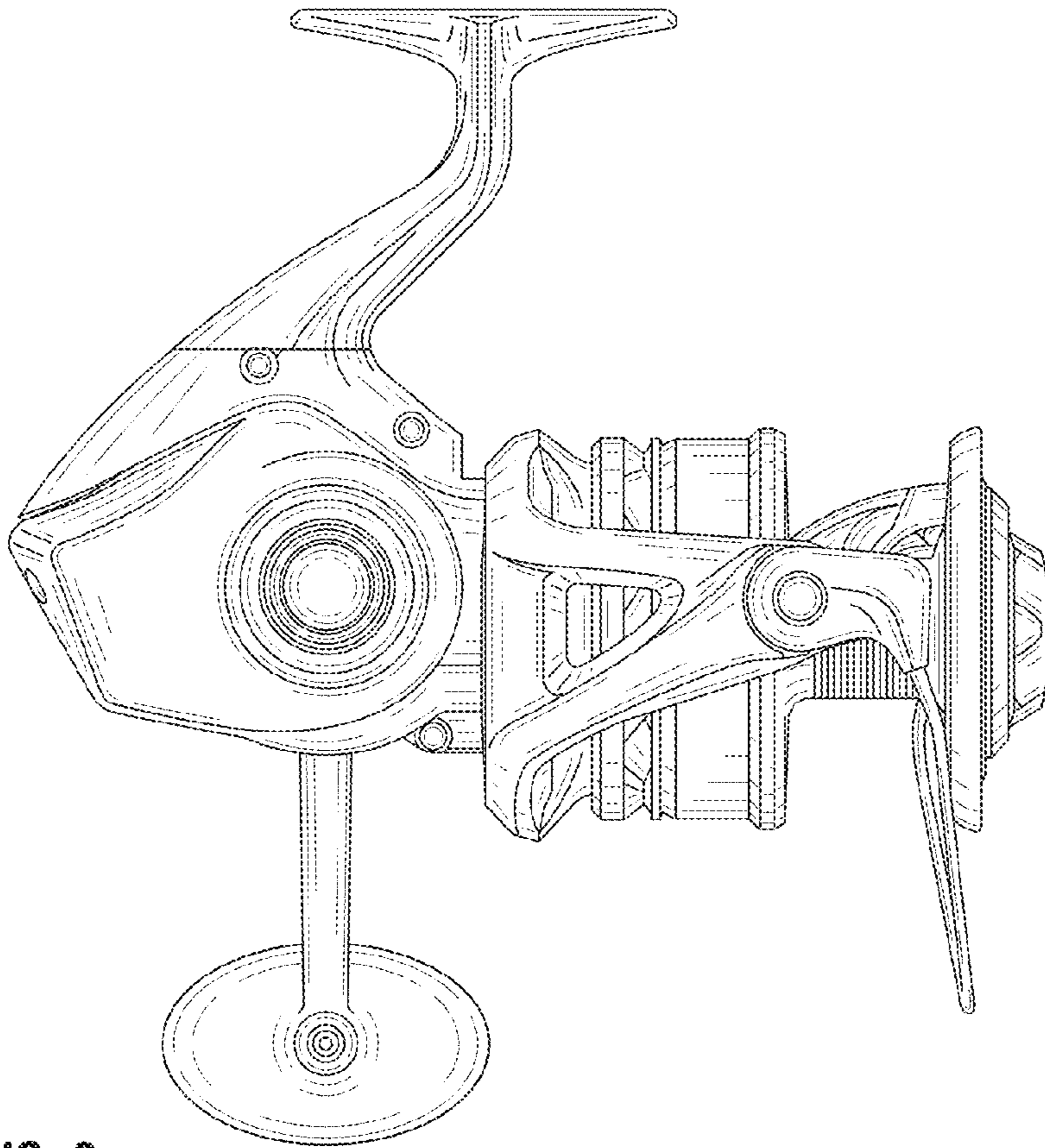


FIG. 3

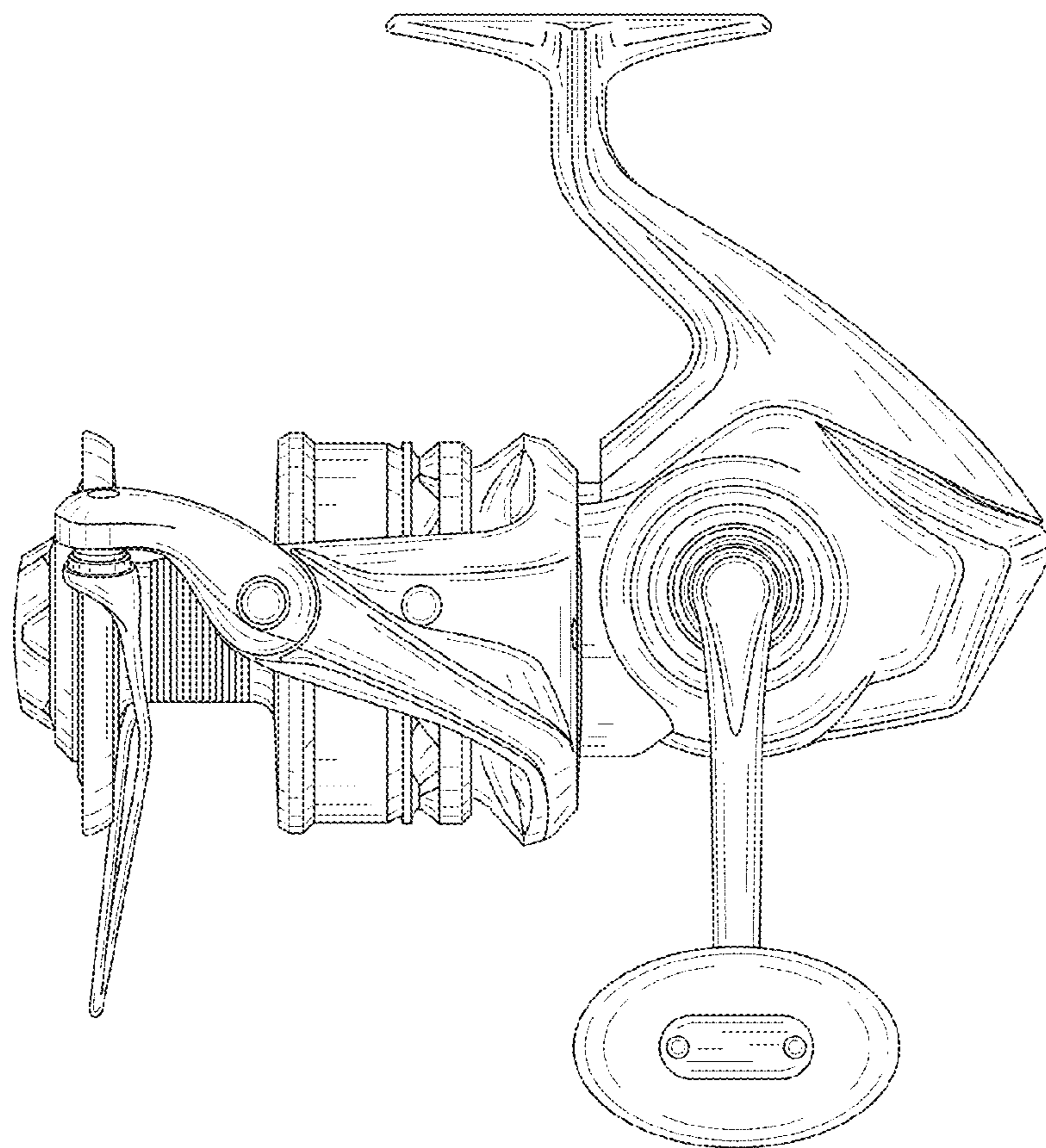


FIG. 4

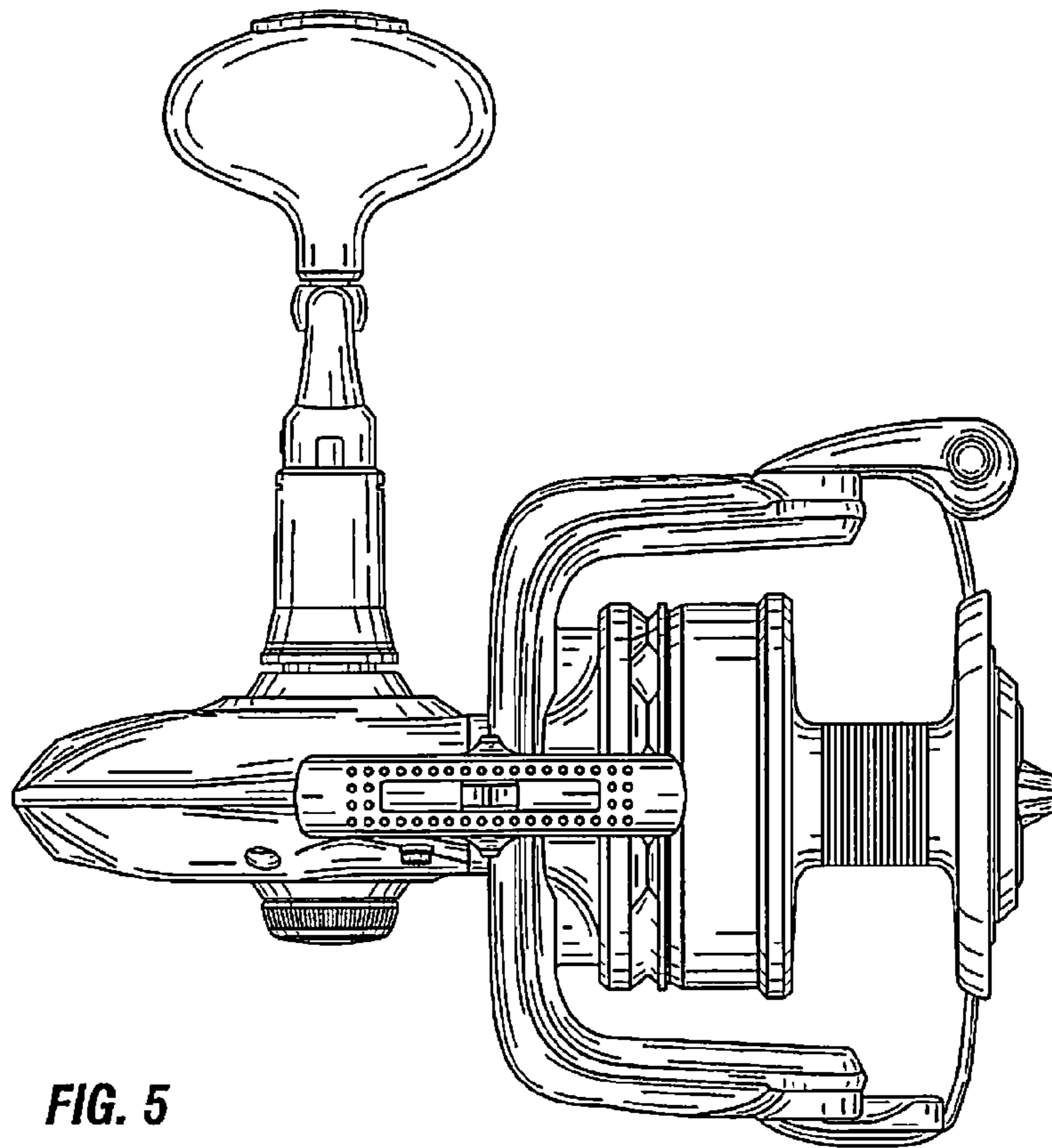


FIG. 5

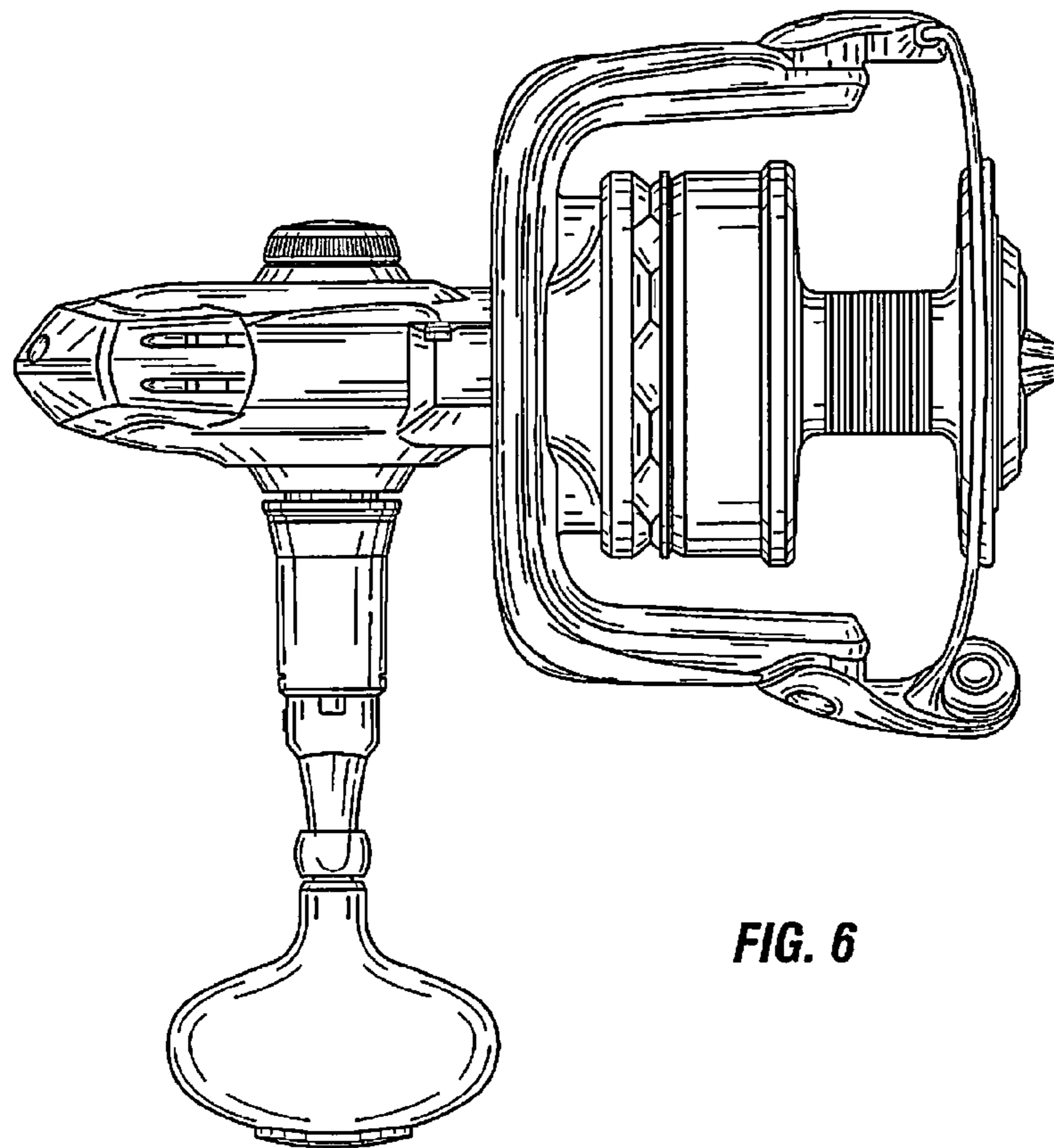


FIG. 6

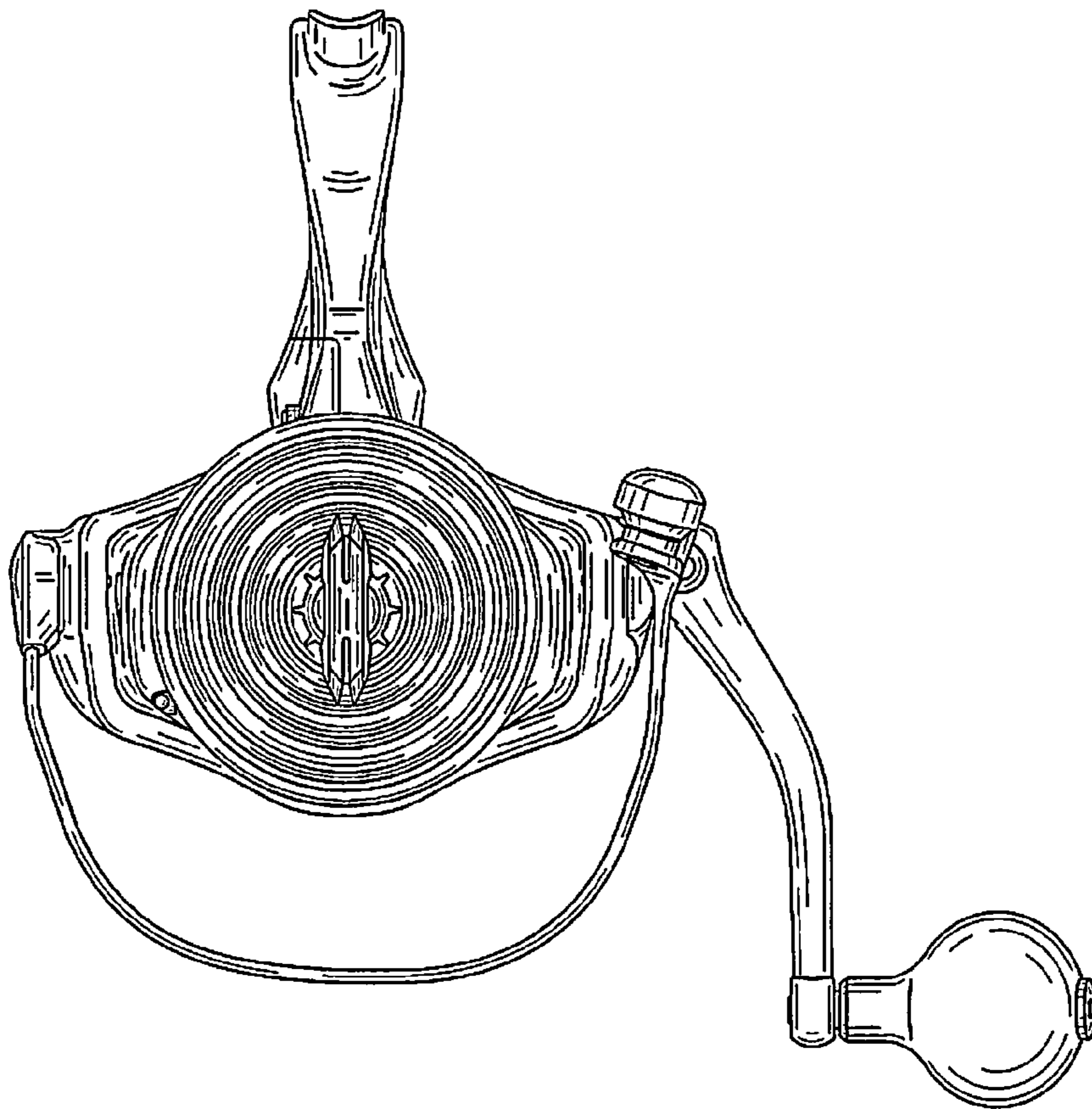


FIG. 7

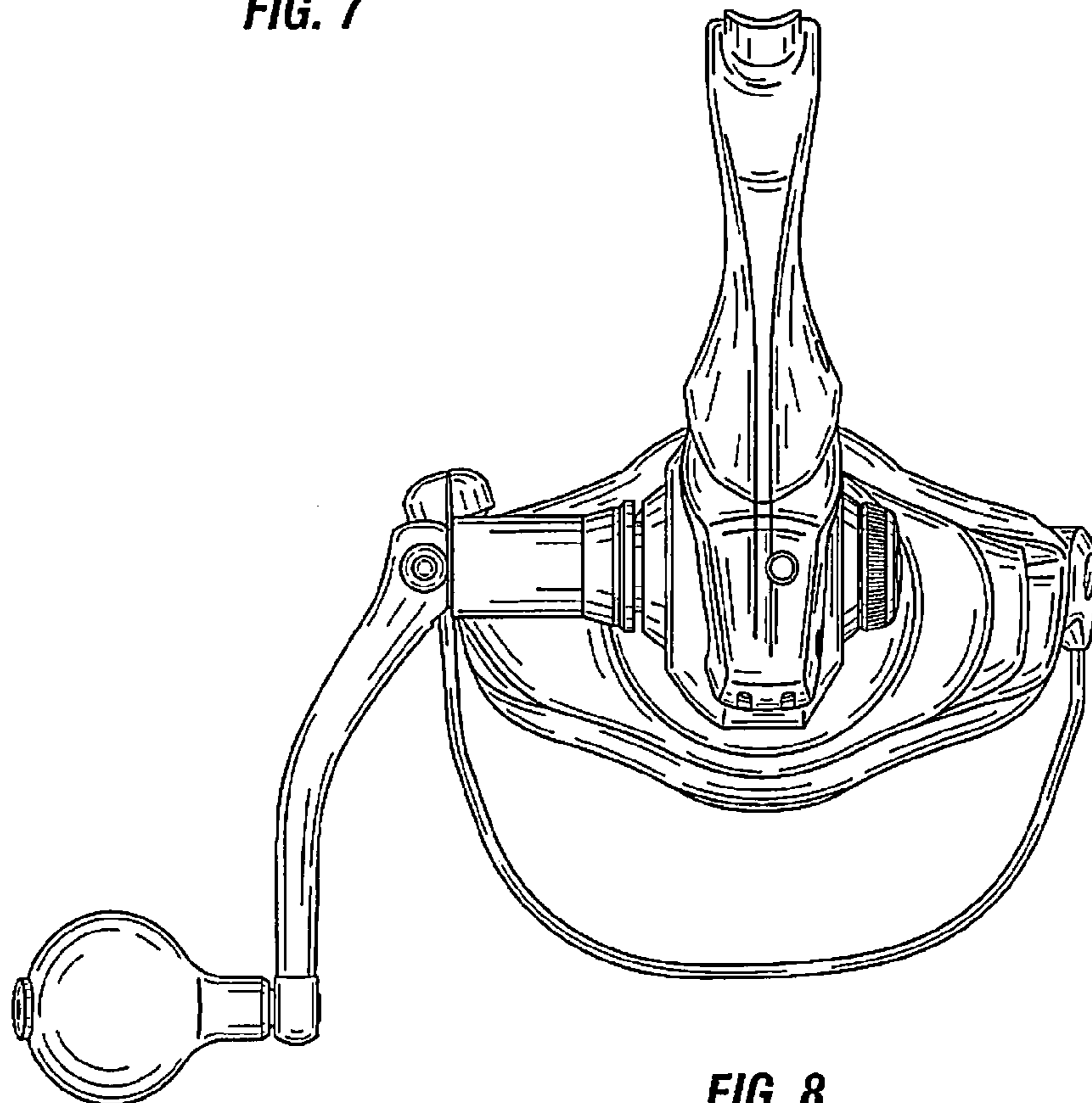


FIG. 8