



US00D716412S

(12) **United States Design Patent**
Bauernfeind

(10) **Patent No.:** **US D716,412 S**

(45) **Date of Patent:** **** Oct. 28, 2014**

(54) **UMBRELLA RIG**

(76) Inventor: **Jason Bauernfeind**, Raymore, MO (US)

(**) Term: **14 Years**

(21) Appl. No.: **29/422,189**

(22) Filed: **May 17, 2012**

(51) **LOC (10) Cl.** **22-05**

(52) **U.S. Cl.**
USPC **D22/129**

(58) **Field of Classification Search**
USPC D22/126-133; 43/42.7, 42.74, 43.15,
43/44.84

See application file for complete search history.

(56) **References Cited**

U.S. PATENT DOCUMENTS

2,231,616	A *	2/1941	Costantino	43/42.74
D198,634	S *	7/1964	Newman	D11/130.1
3,646,700	A *	3/1972	Pond	43/42.74
3,745,692	A *	7/1973	McGee	43/17.5
D240,921	S *	8/1976	Taylor	D22/129
4,893,432	A *	1/1990	Rosengrant	43/42.74
4,920,687	A *	5/1990	Barnett	43/42.74
D364,444	S *	11/1995	DeCosta	D22/129
5,797,209	A *	8/1998	Nicholas	43/4
D668,735	S *	10/2012	Steckelberg	D22/129
D674,461	S *	1/2013	Woller	D22/129
8,572,887	B2 *	11/2013	Adelman	43/42.74

OTHER PUBLICATIONS

Castaic Bait Co., Charlie's "Walker Rig", Tackle Warehouse website, early Dec. 2011, internet.

* cited by examiner

Primary Examiner — Catheri Oliver-Garcia

(74) *Attorney, Agent, or Firm* — Erickson Kernell Derusseau & Kleypas, LLC

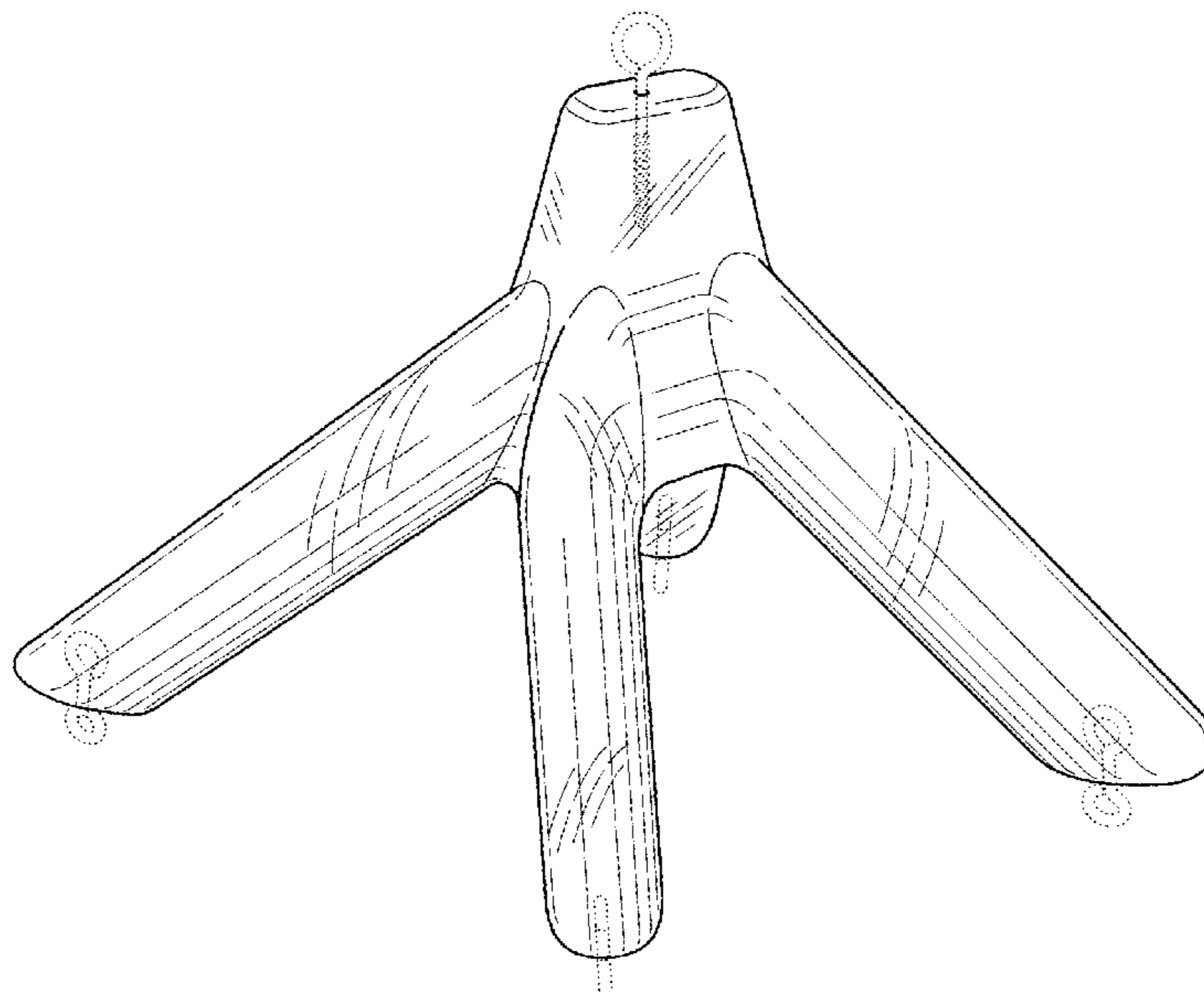
(57) **CLAIM**

The ornamental design for an umbrella rig, as shown and described.

DESCRIPTION

FIG. 1 is a perspective view of a first embodiment of the umbrella rig in accordance with the invention;
 FIG. 2 is a first side view of the umbrella rig of FIG. 1;
 FIG. 3 is a second side view, opposite the first side view, of the umbrella rig of FIG. 1;
 FIG. 4 is a third side view of the umbrella rig of FIG. 1;
 FIG. 5 is a fourth side view, opposite the third side view, of the umbrella rig of FIG. 1;
 FIG. 6 is a top view of the umbrella rig of FIG. 1;
 FIG. 7 is a bottom view of the umbrella rig of FIG. 1;
 FIG. 8 is a perspective view of a second embodiment of an umbrella rig in accordance with the present invention;
 FIG. 9 is a first side view of the umbrella rig of FIG. 8;
 FIG. 10 is a second side view, opposite the first side view, of the umbrella rig of FIG. 8;
 FIG. 11 is a third side view of the umbrella rig of FIG. 8;
 FIG. 12 is a fourth side view, opposite the third side view, of the umbrella rig of FIG. 8;
 FIG. 13 is a top view of the umbrella rig of FIG. 8; and,
 FIG. 14 is a bottom view of the umbrella rig of FIG. 8.
 The figures are shaded to show transparent material.
 The dashed lines are not claimed as part of the invention.

1 Claim, 8 Drawing Sheets



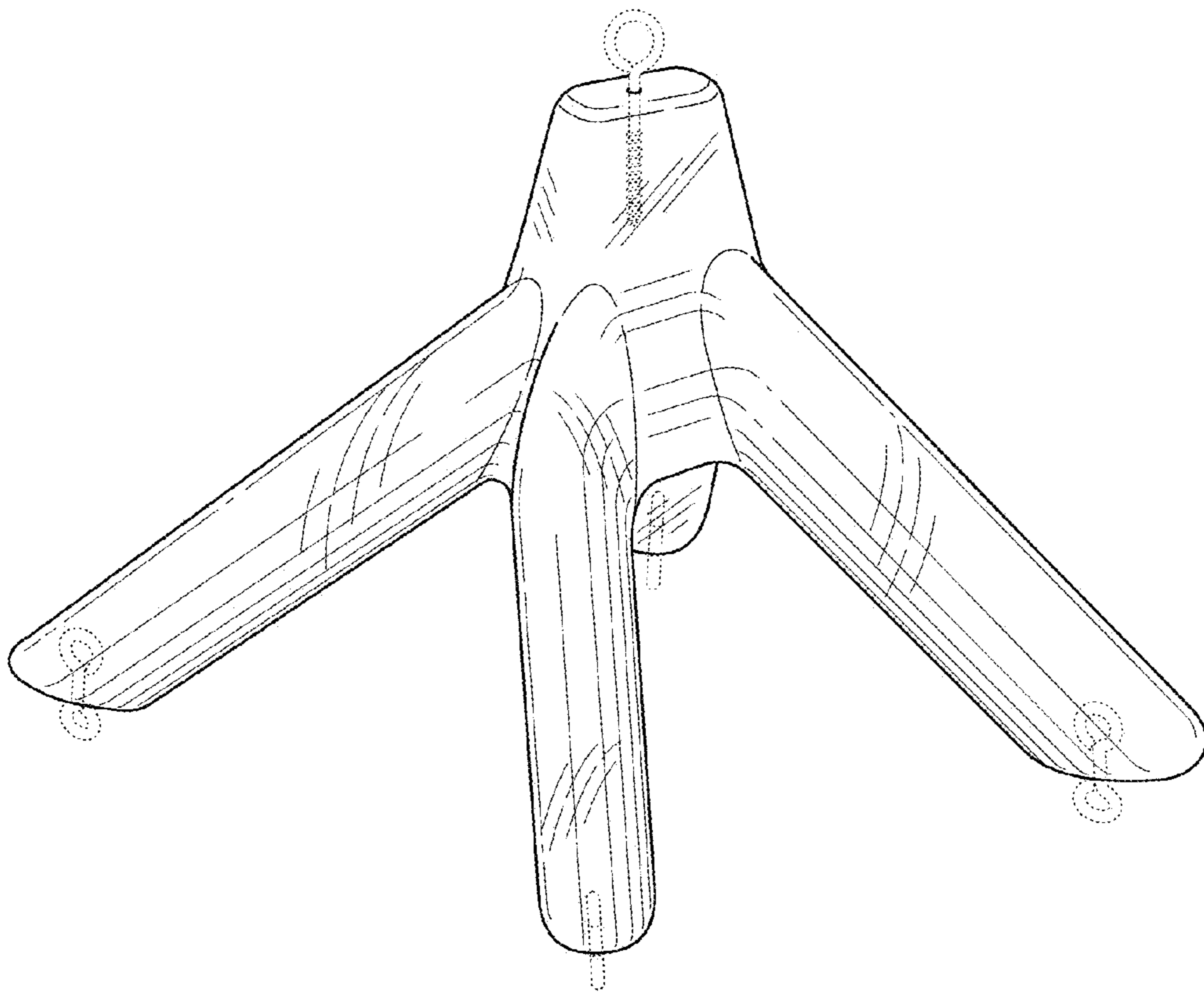


FIG. 1

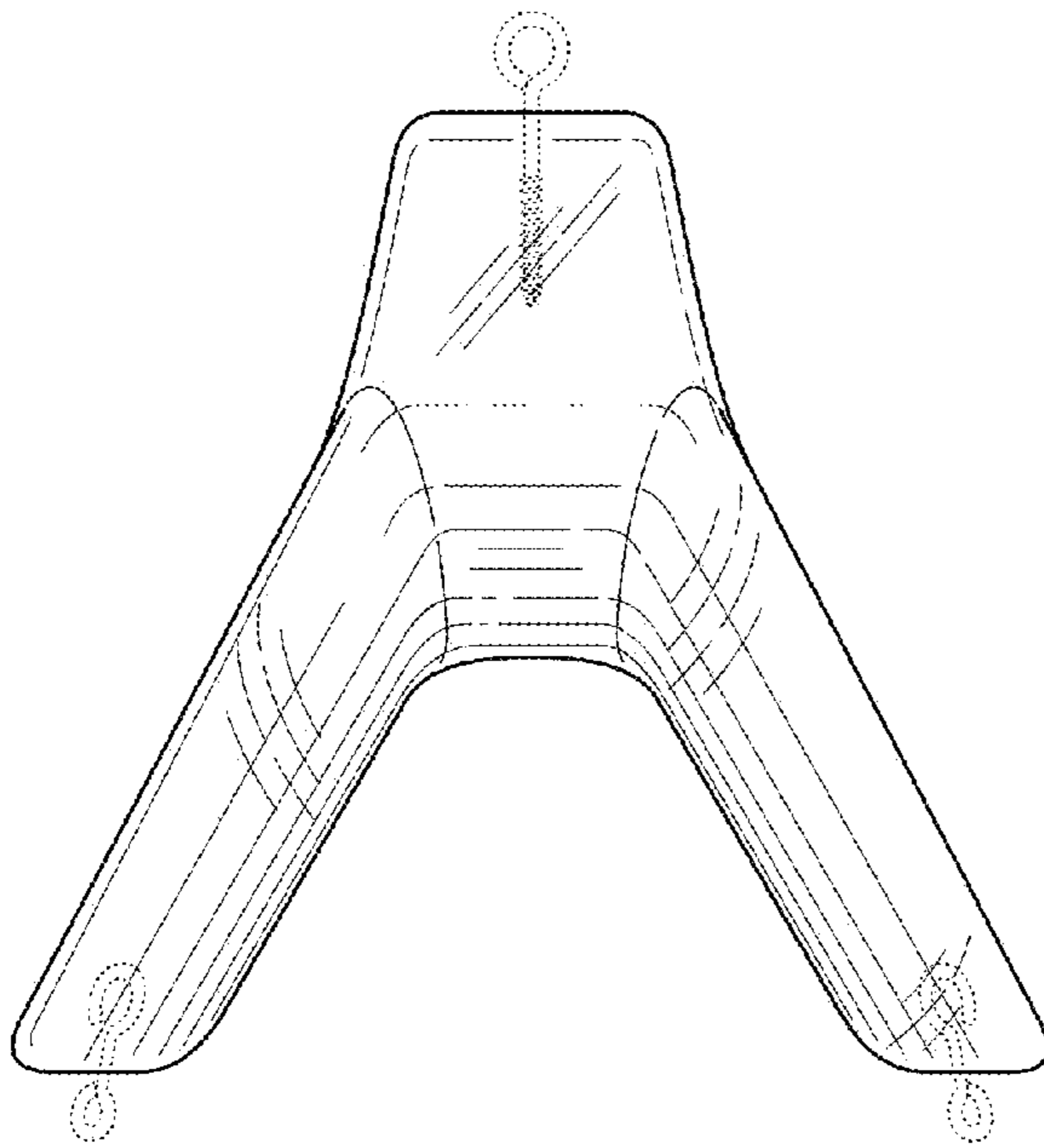


FIG. 2

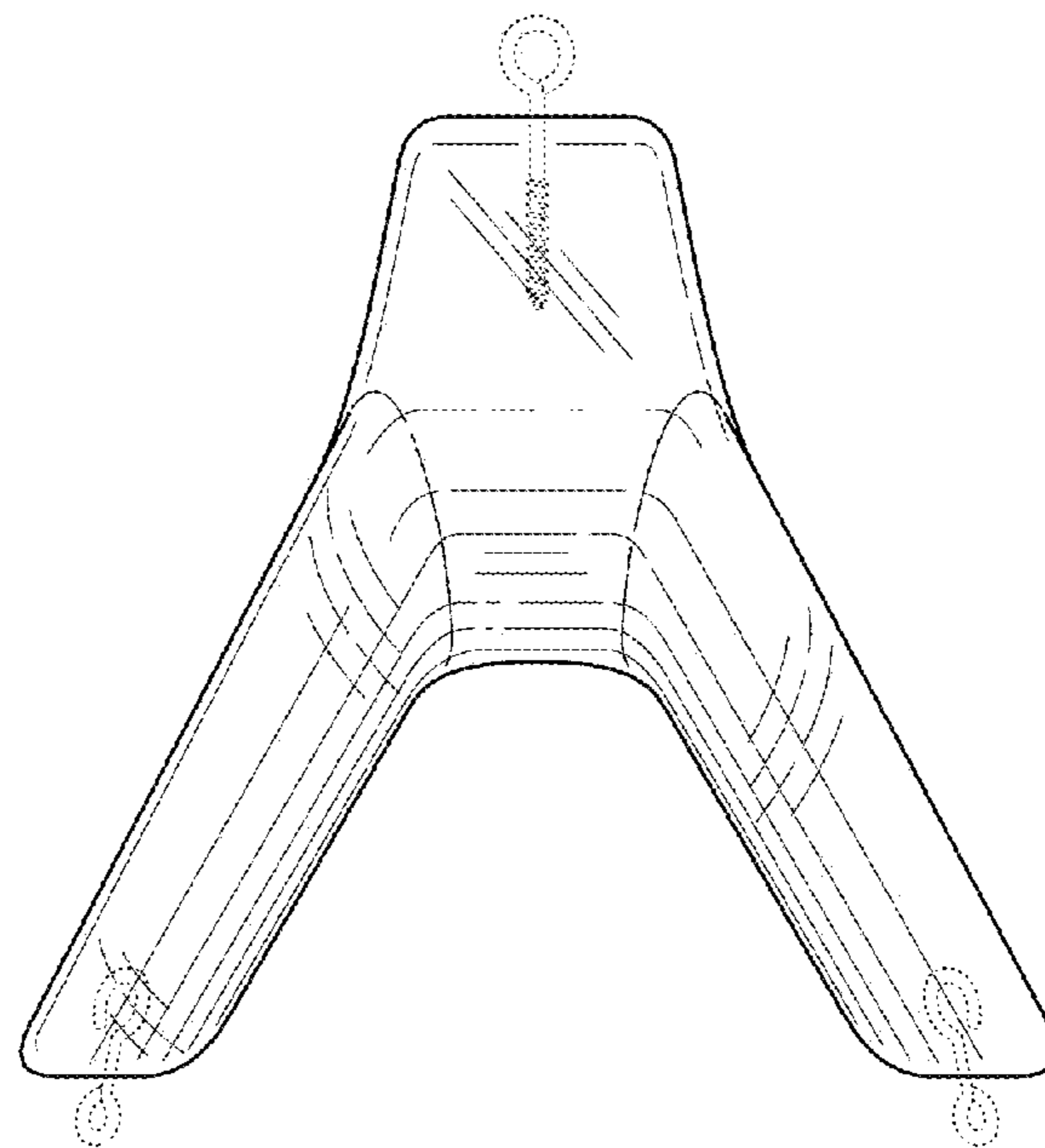


FIG. 3

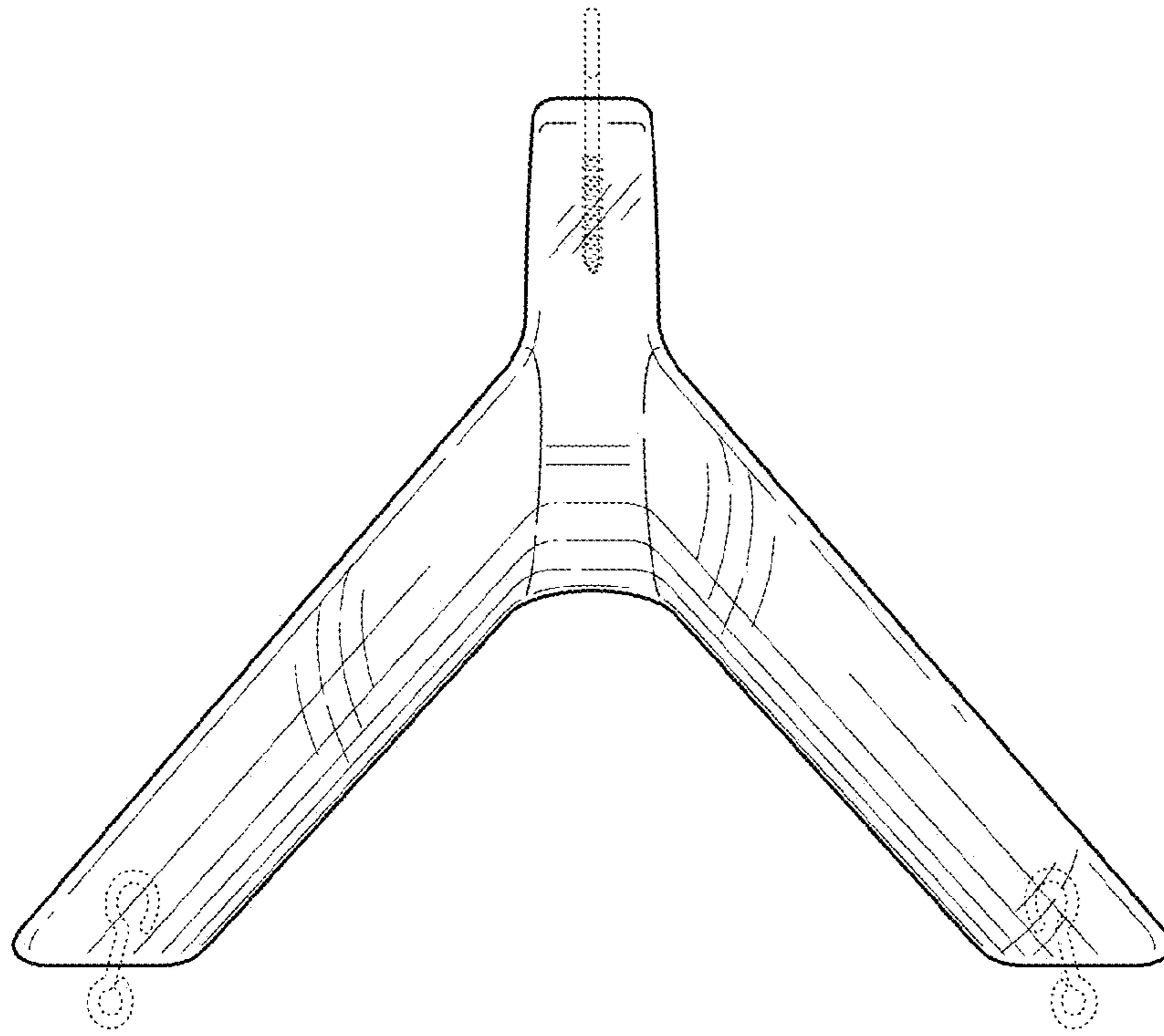


FIG. 4

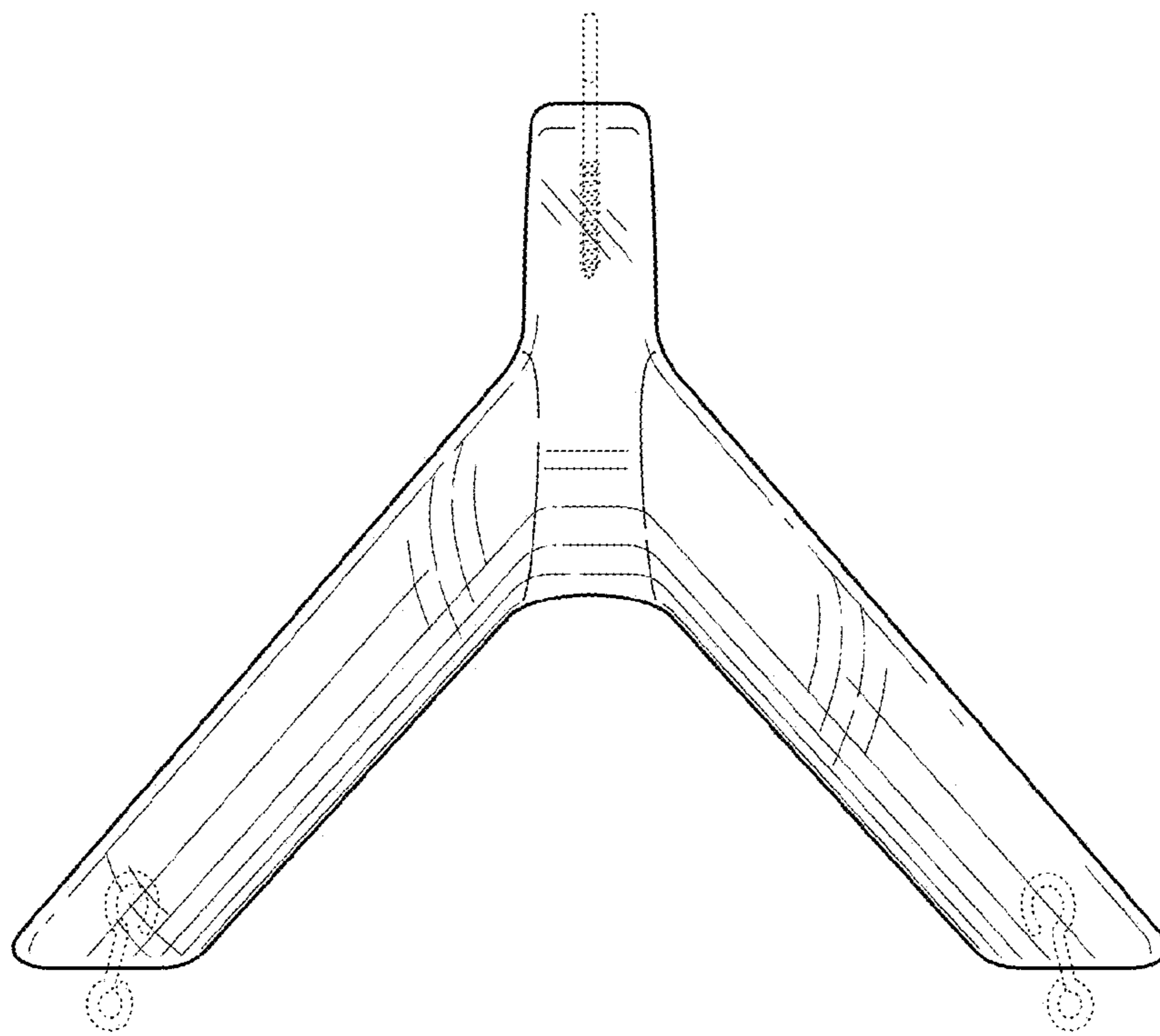


FIG. 5

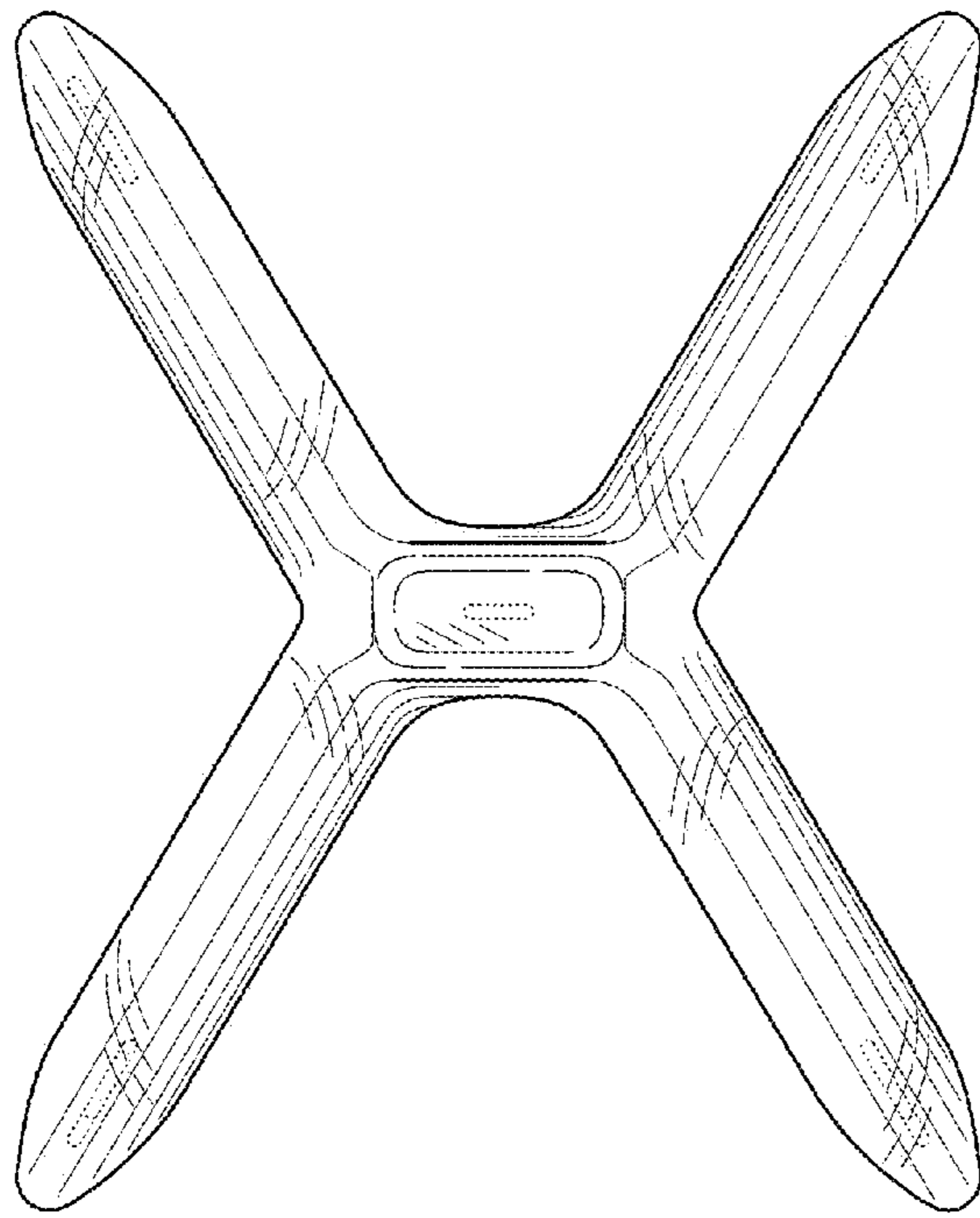


FIG. 6

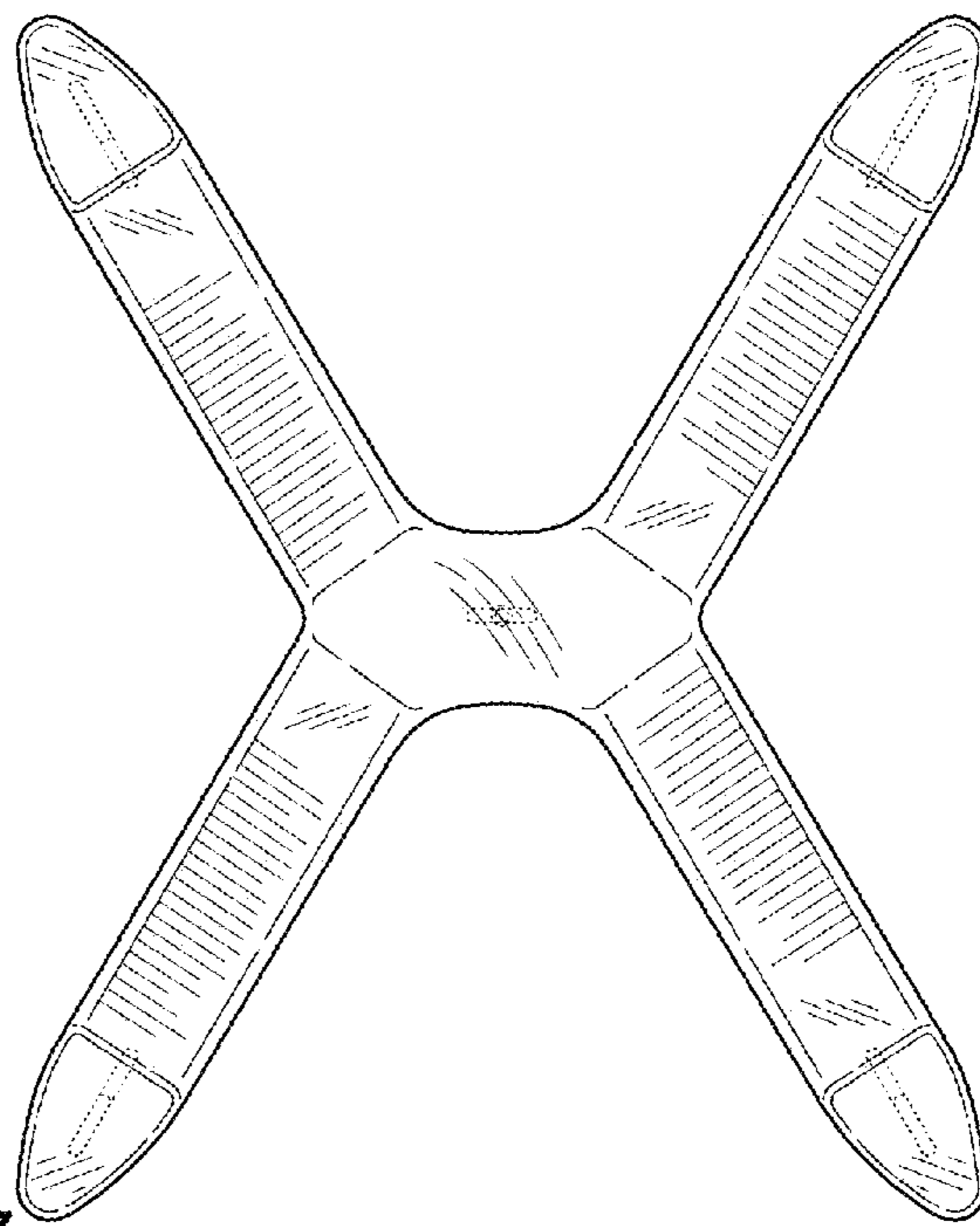


FIG. 7

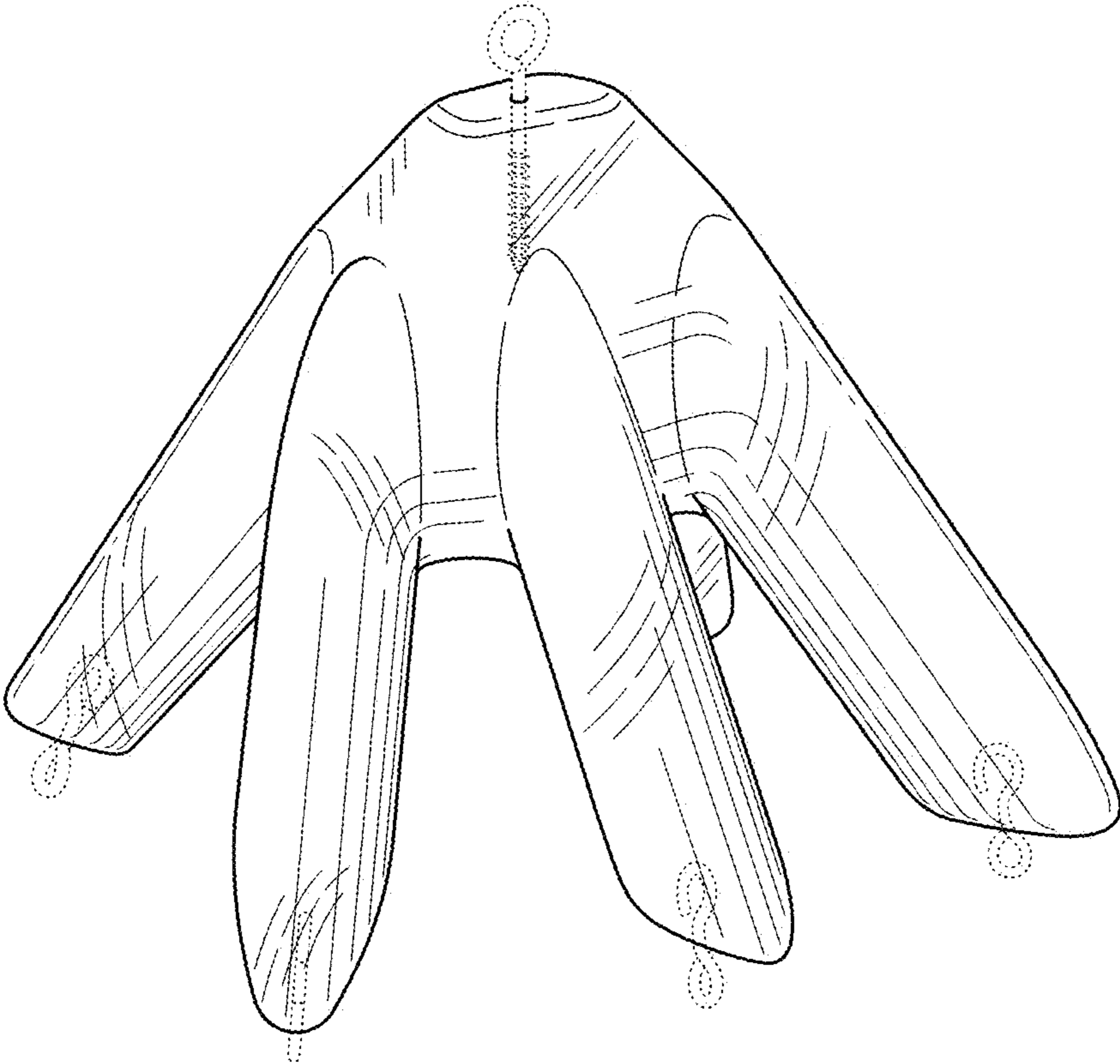


FIG. 8

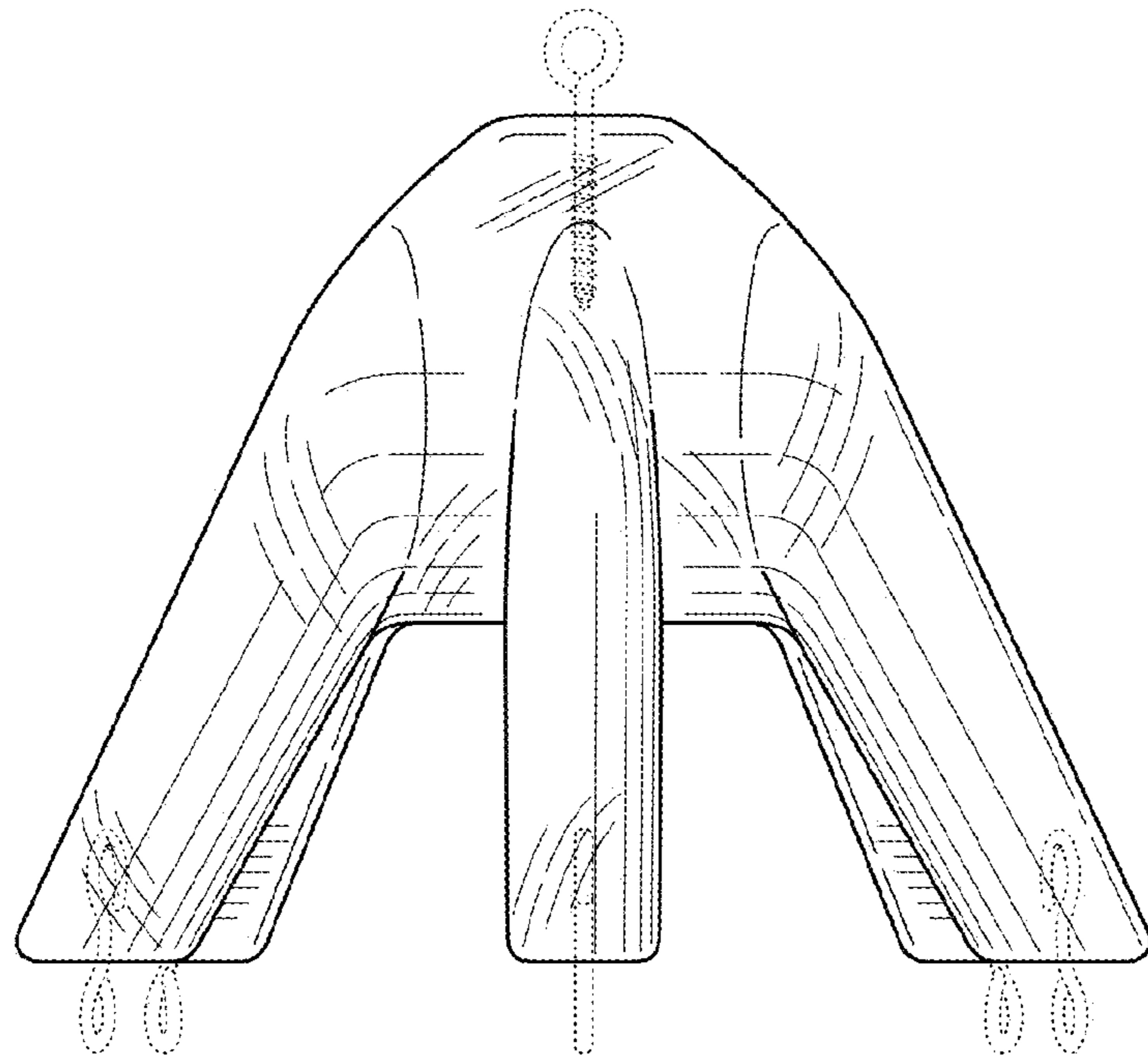


FIG. 9

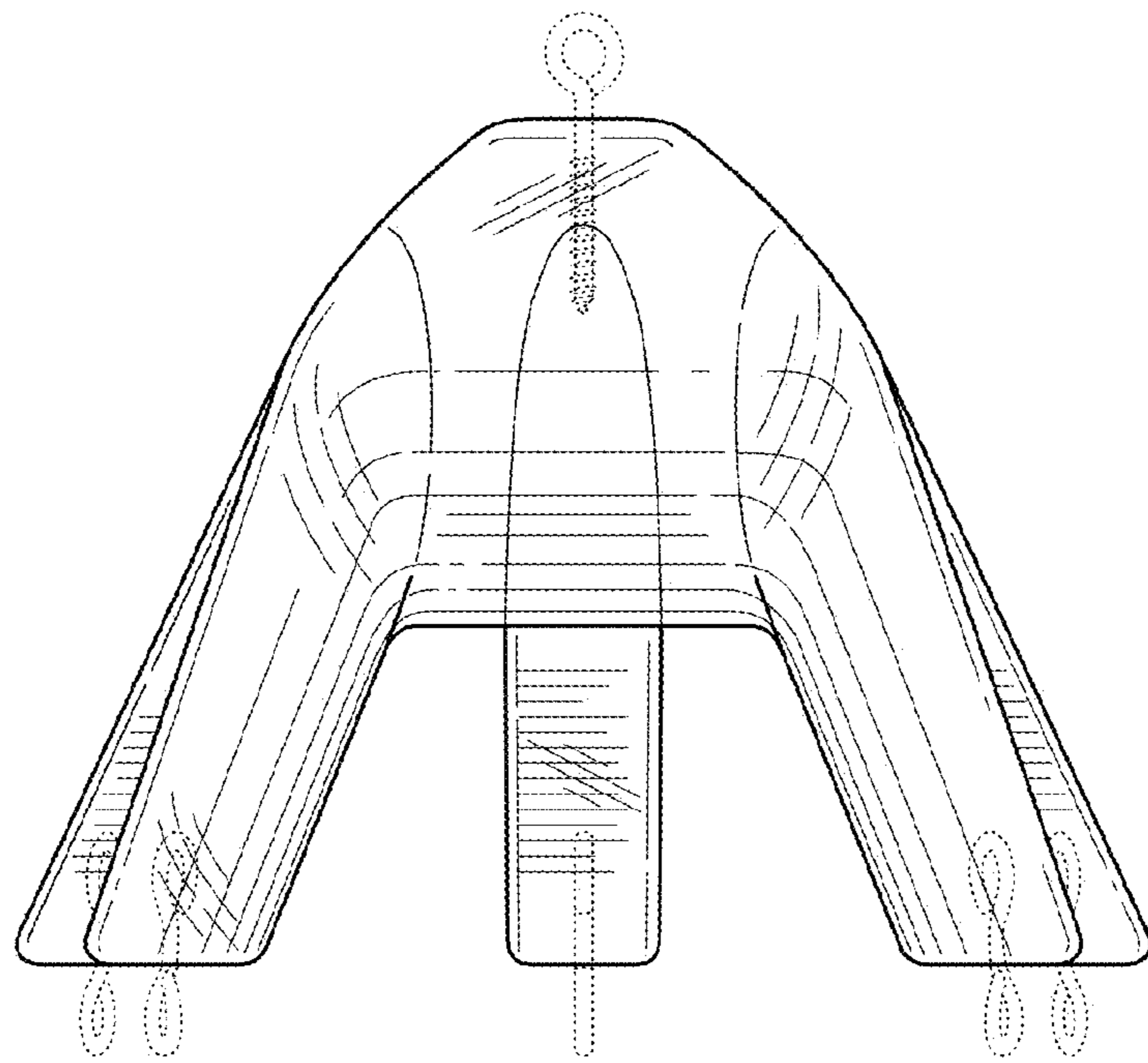


FIG. 10

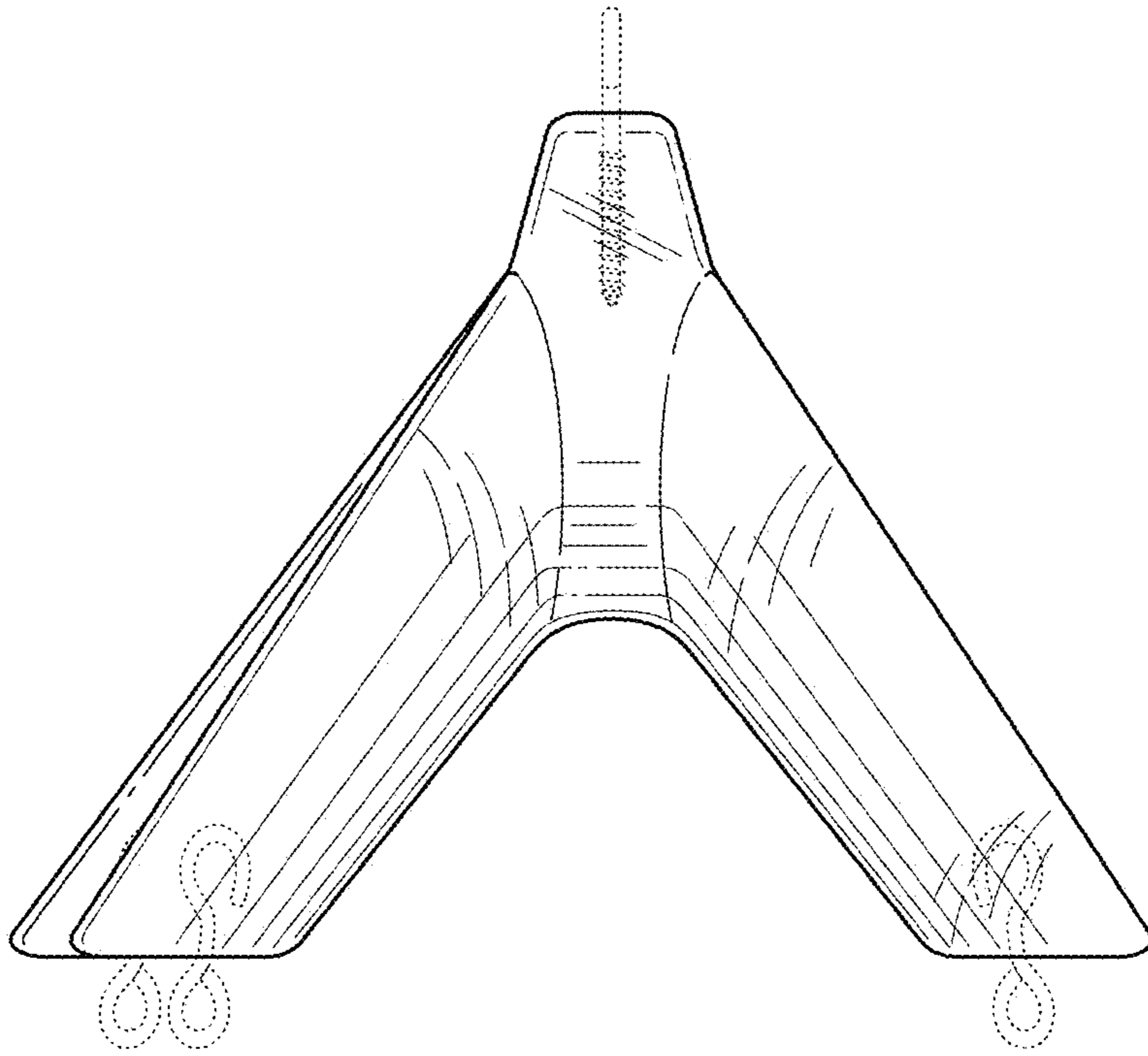


FIG. 11

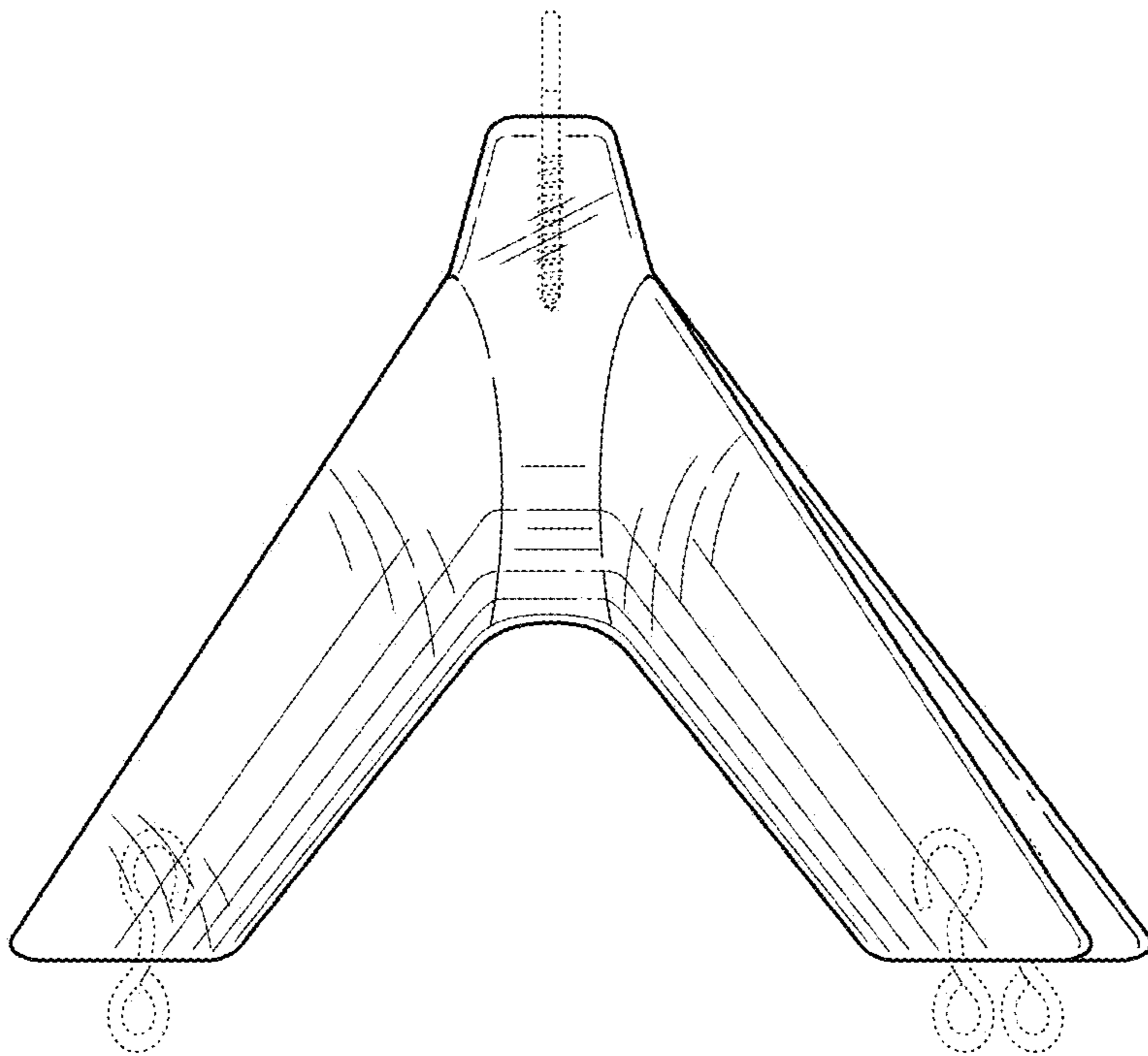


FIG. 12

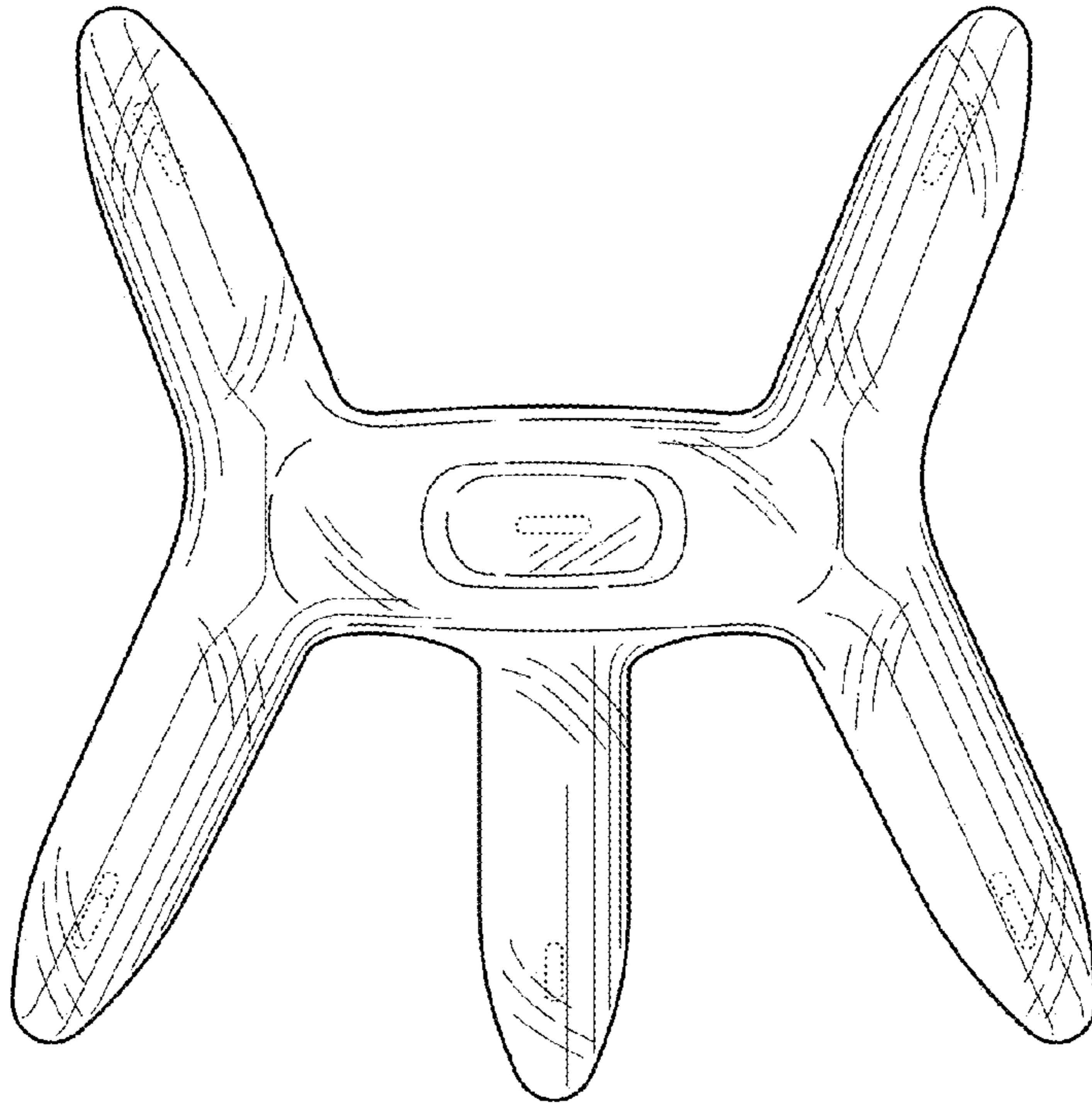


FIG. 13

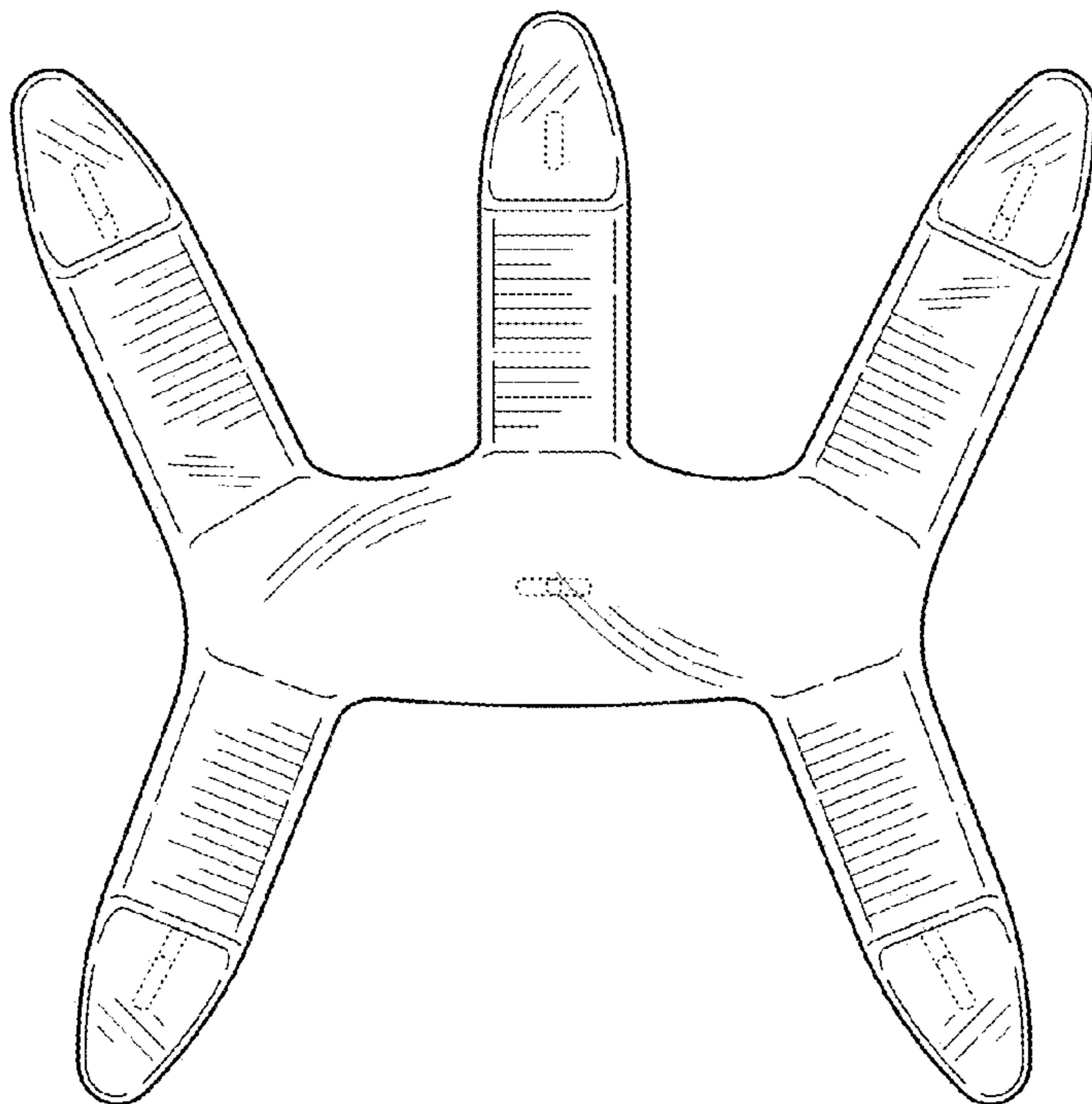


FIG. 14