



US00D716410S

(12) **United States Design Patent**
Wallgren

(10) **Patent No.:** **US D716,410 S**

(45) **Date of Patent:** **** Oct. 28, 2014**

(54) **GUN SIGHT**

(71) Applicant: **Henning's Shop, LLC**, Longmont, CO
(US)

(72) Inventor: **Henning Wallgren**, Longmont, CO (US)

(73) Assignee: **Henning's Shop, LLC**, Longmont, CO
(US)

(**) Term: **14 Years**

(21) Appl. No.: **29/460,810**

(22) Filed: **Jul. 15, 2013**

(51) **LOC (10) Cl.** **22-01**

(52) **U.S. Cl.**
USPC **D22/109**

(58) **Field of Classification Search**

CPC F41G 1/00; F41G 1/01; F41G 1/02;
F41G 1/06; F41G 1/065; F41G 1/08; F41G
1/10; F41G 1/12; F41G 1/14; F41G 1/30;
F41G 1/32; F41G 1/38; F41G 1/40; F41G
1/42; F41G 1/44; F41G 1/46; F41G 1/383;
F41G 1/387; F41G 1/393; F41G 3/00; F41G
3/005; F41G 3/02; F41G 3/04; F41G 3/06;
F41G 3/14; F41G 11/002; F41G 11/003;
F41G 11/004; F41G 11/005
USPC D22/109; 89/111-113; 359/399, 823,
359/744; 42/104, 105, 111-113, 116, 120,
42/124-126, 127-129, 141-148,
42/133-140; 33/227, 229

See application file for complete search history.

(56) **References Cited**

U.S. PATENT DOCUMENTS

D273,217 S *	3/1984	Swenson	D22/109
D296,227 S *	6/1988	Novak	D22/109
D363,334 S *	10/1995	De Oliveira Masina	D22/109
D403,734 S *	1/1999	Kay	D22/109
D407,788 S *	4/1999	Kay	D22/109
D611,113 S *	3/2010	Kay	D22/109
8,132,352 B2 *	3/2012	Lippard	42/111
D667,523 S *	9/2012	Glimpse et al.	D22/109
2011/0314721 A1 *	12/2011	Lamb	42/145

* cited by examiner

Primary Examiner — Michael A Pratt

(74) *Attorney, Agent, or Firm* — Santangelo Law Offices,
P.C.

(57) **CLAIM**

The ornamental design for a gun sight, as shown and described.

DESCRIPTION

FIG. 1: is a perspective view of a gun sight in one embodiment thereof.

FIG. 2: is a top view of a gun sight in one embodiment thereof.

FIG. 3: is a bottom view of a gun sight in one embodiment thereof.

FIG. 4: is a right view with expanded detail of a gun sight in one embodiment thereof.

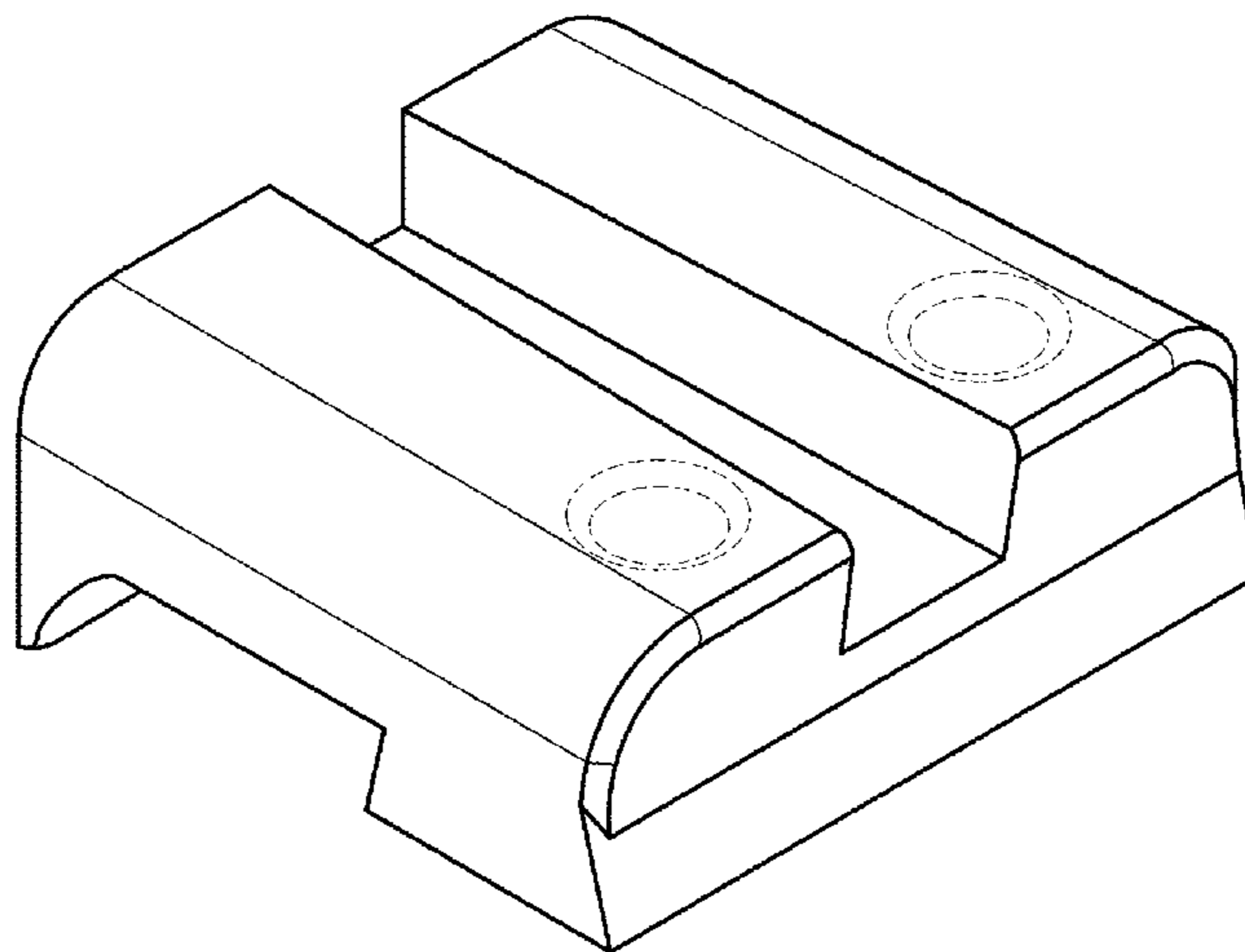
FIG. 5: is a left view of a gun sight in one embodiment thereof.

FIG. 6: is a front view of a gun sight in one embodiment thereof; and,

FIG. 7: is a back view of a gun sight in one embodiment thereof.

The broken lines are included for the purpose of illustrating environmental matter and form no part of the claimed design.

1 Claim, 7 Drawing Sheets



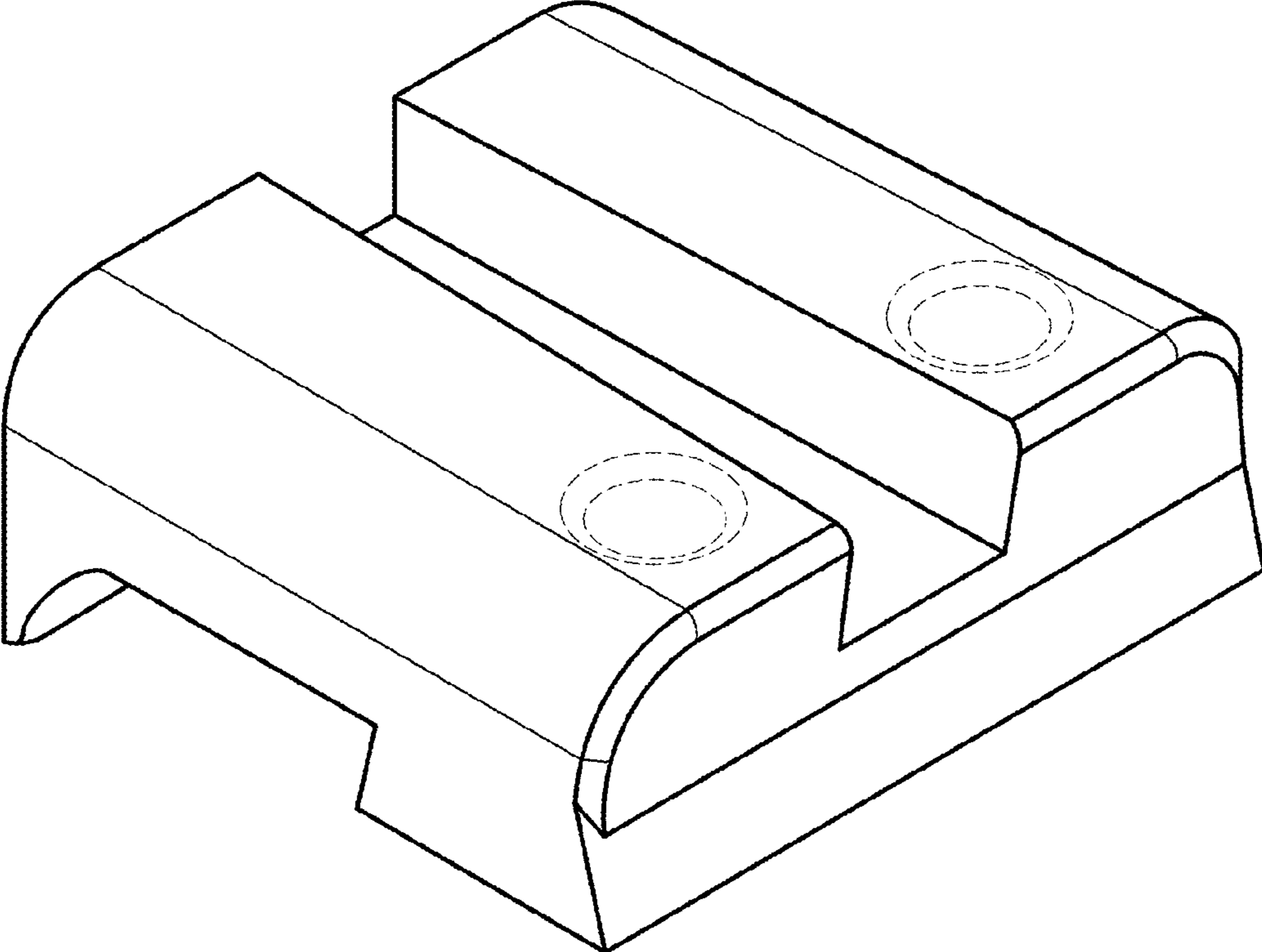


Fig. 1

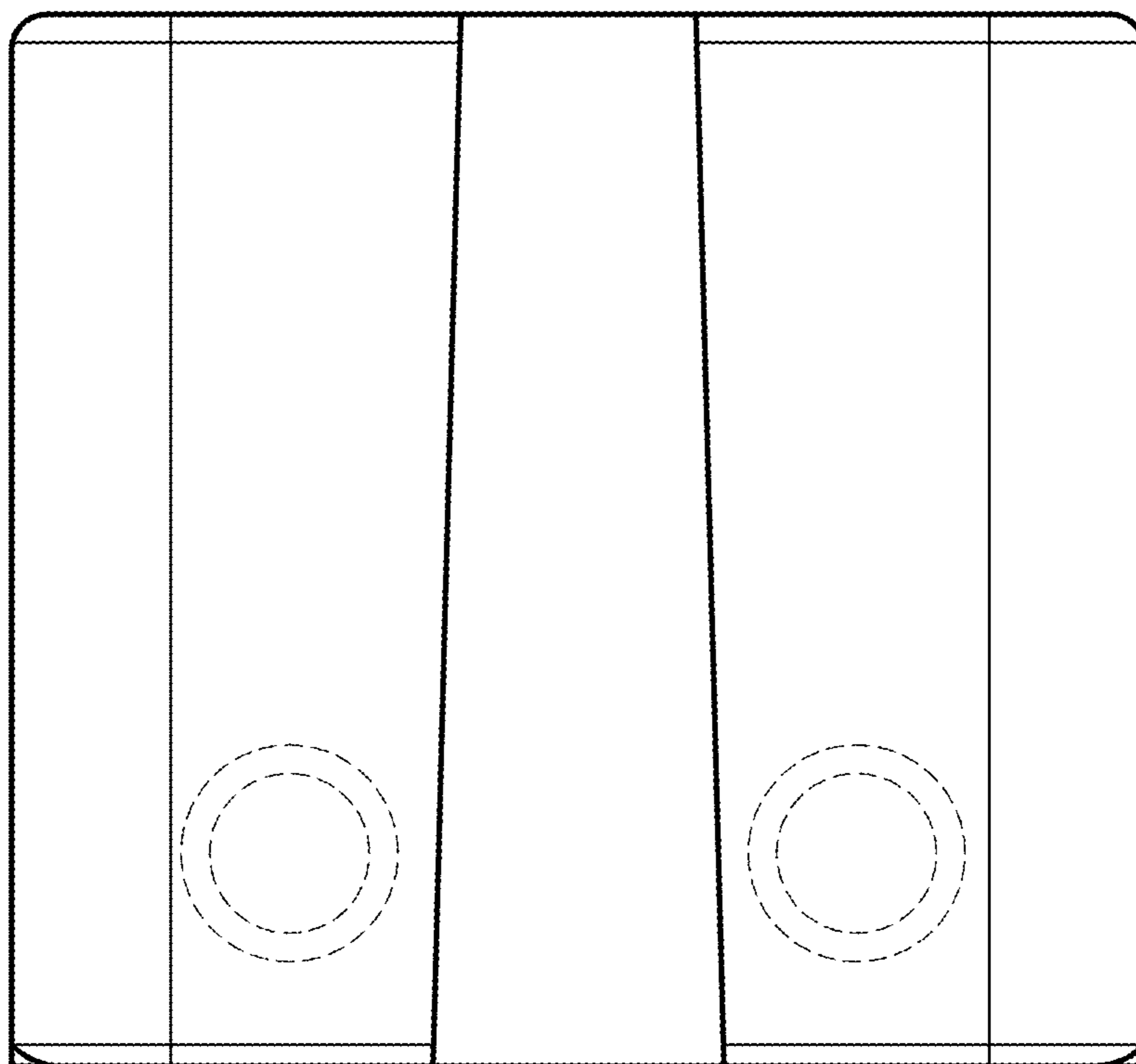


Fig. 2

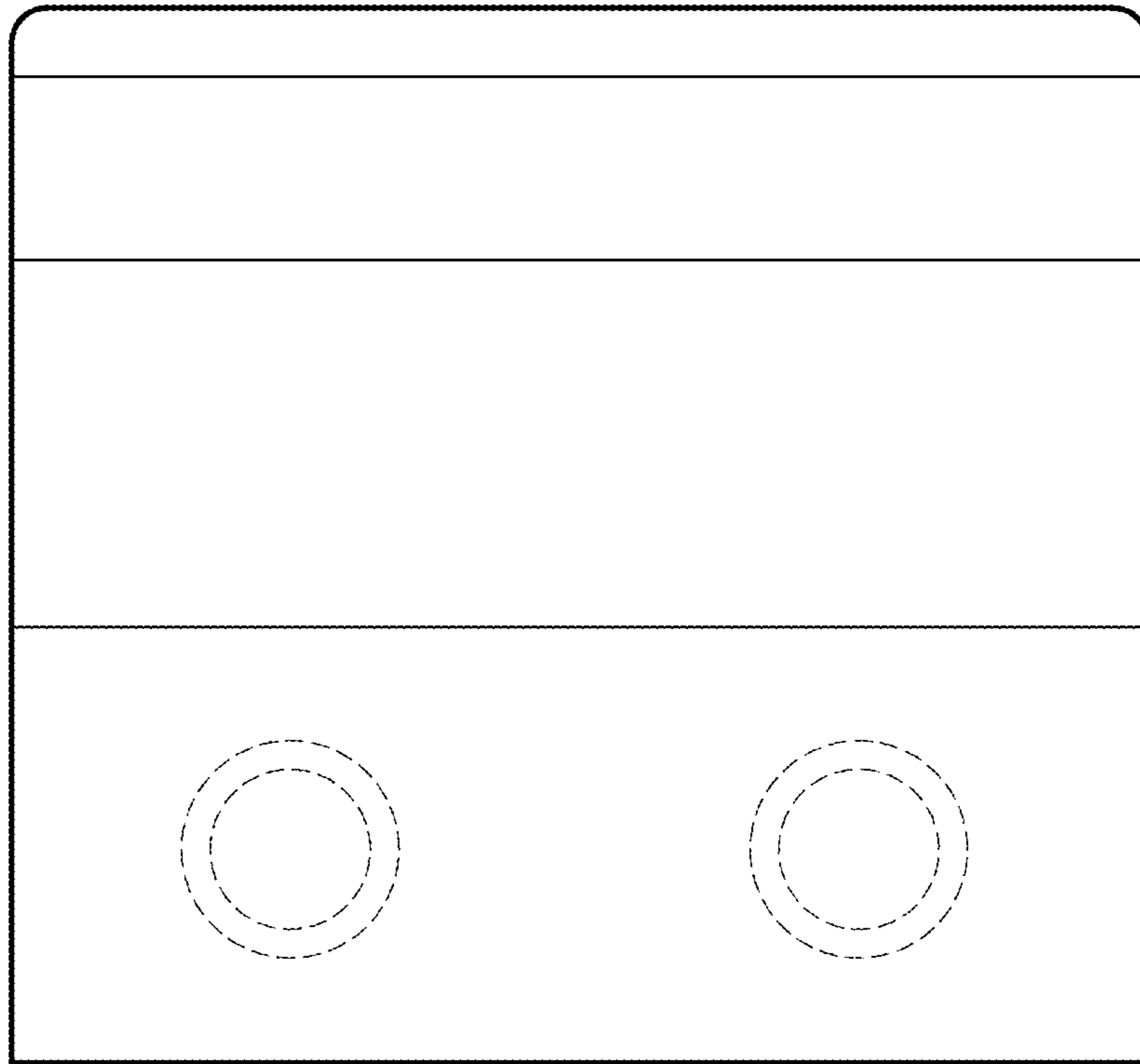


Fig. 3

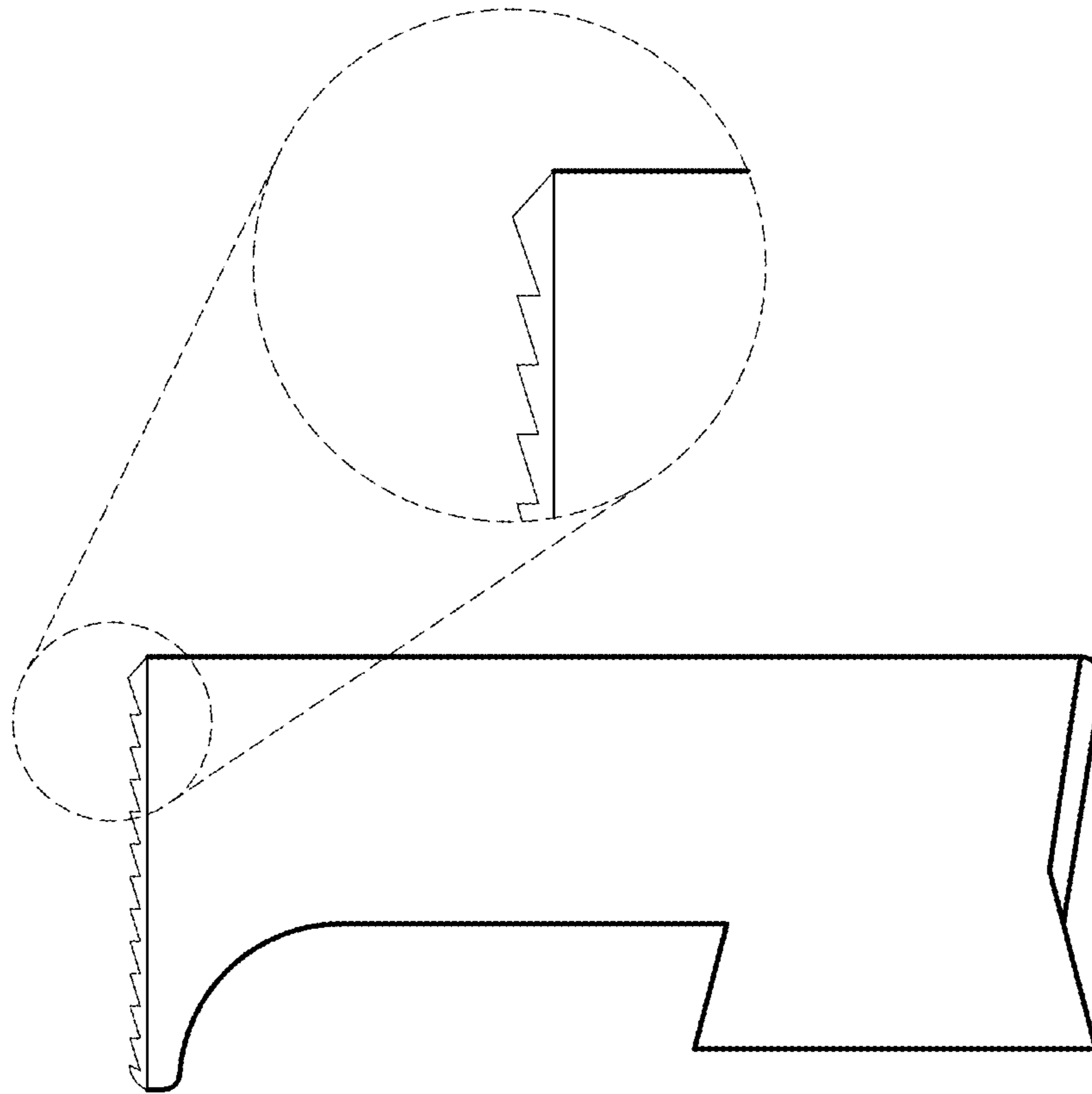


Fig. 4

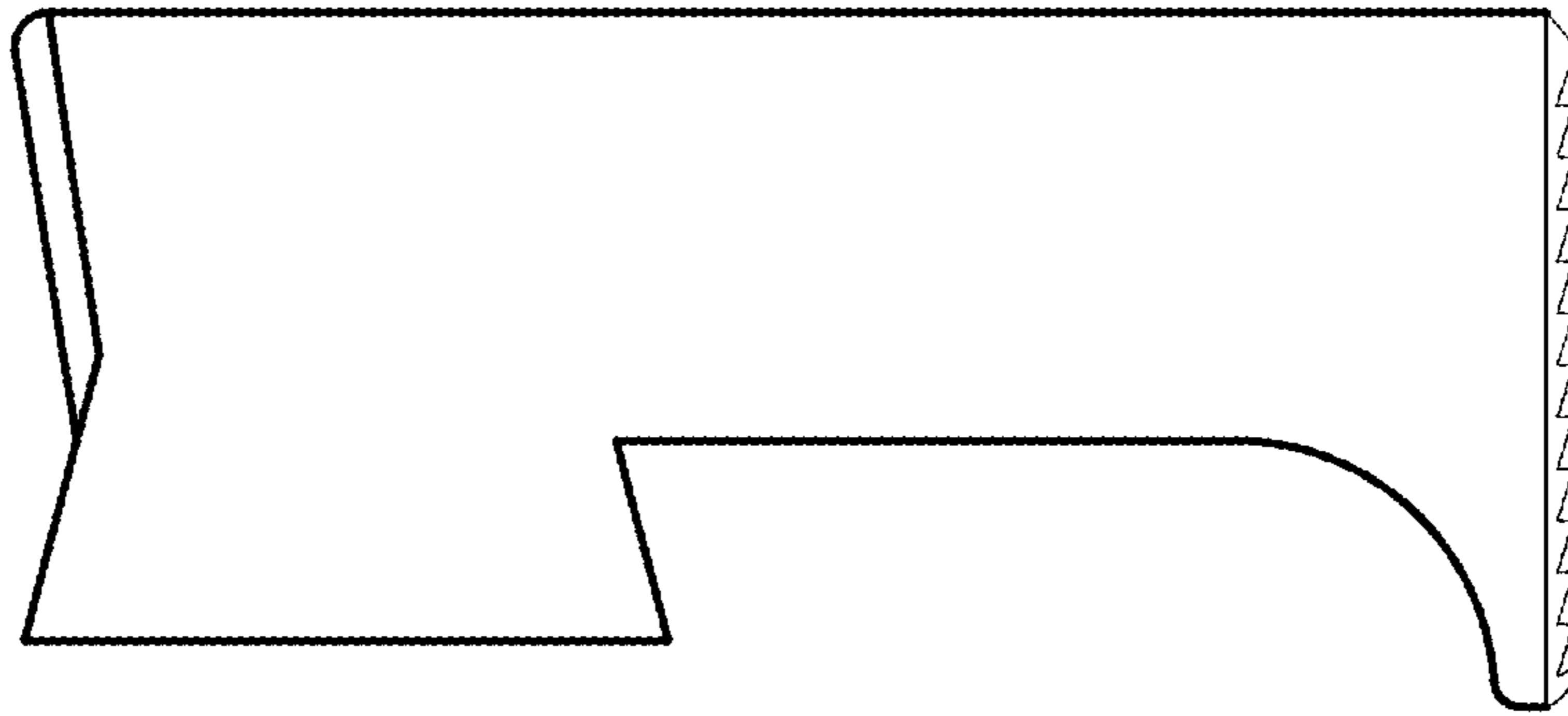


Fig. 5

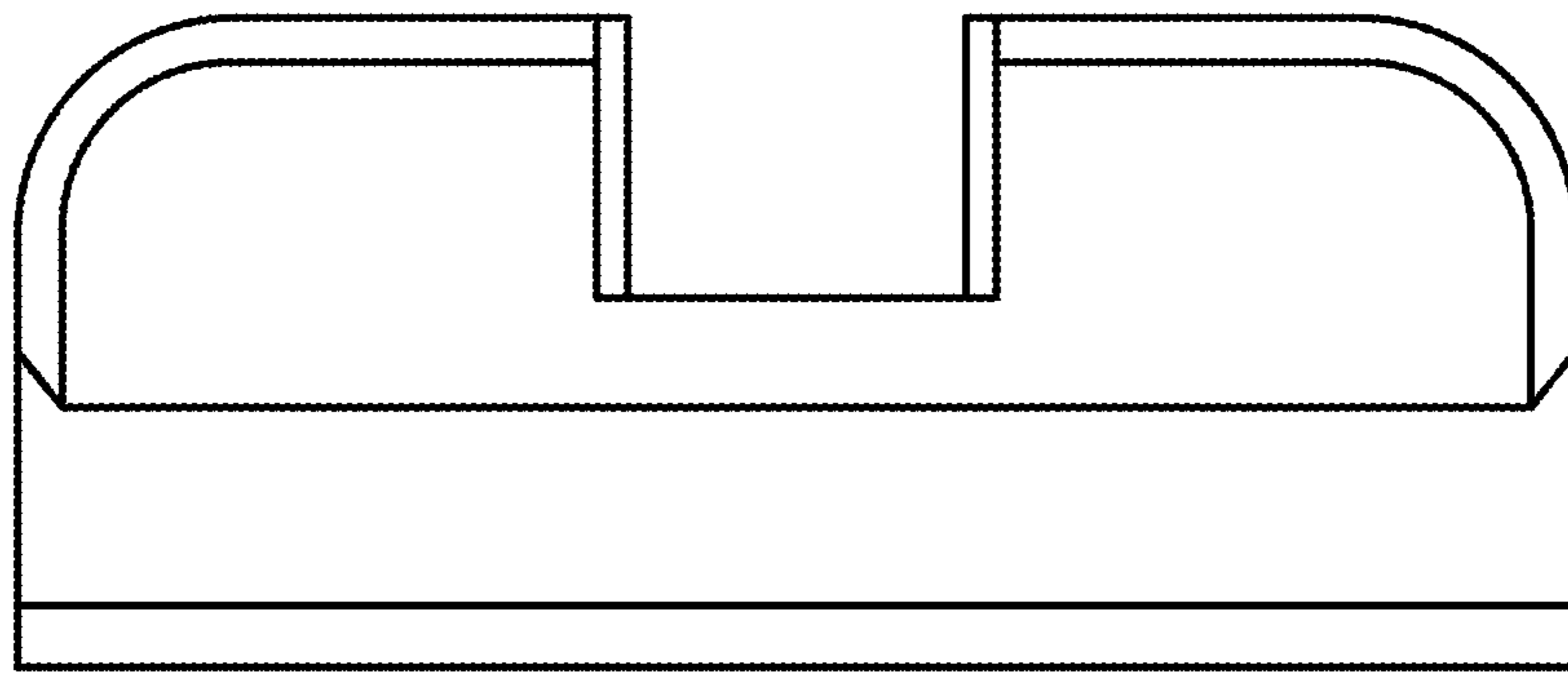


Fig. 6

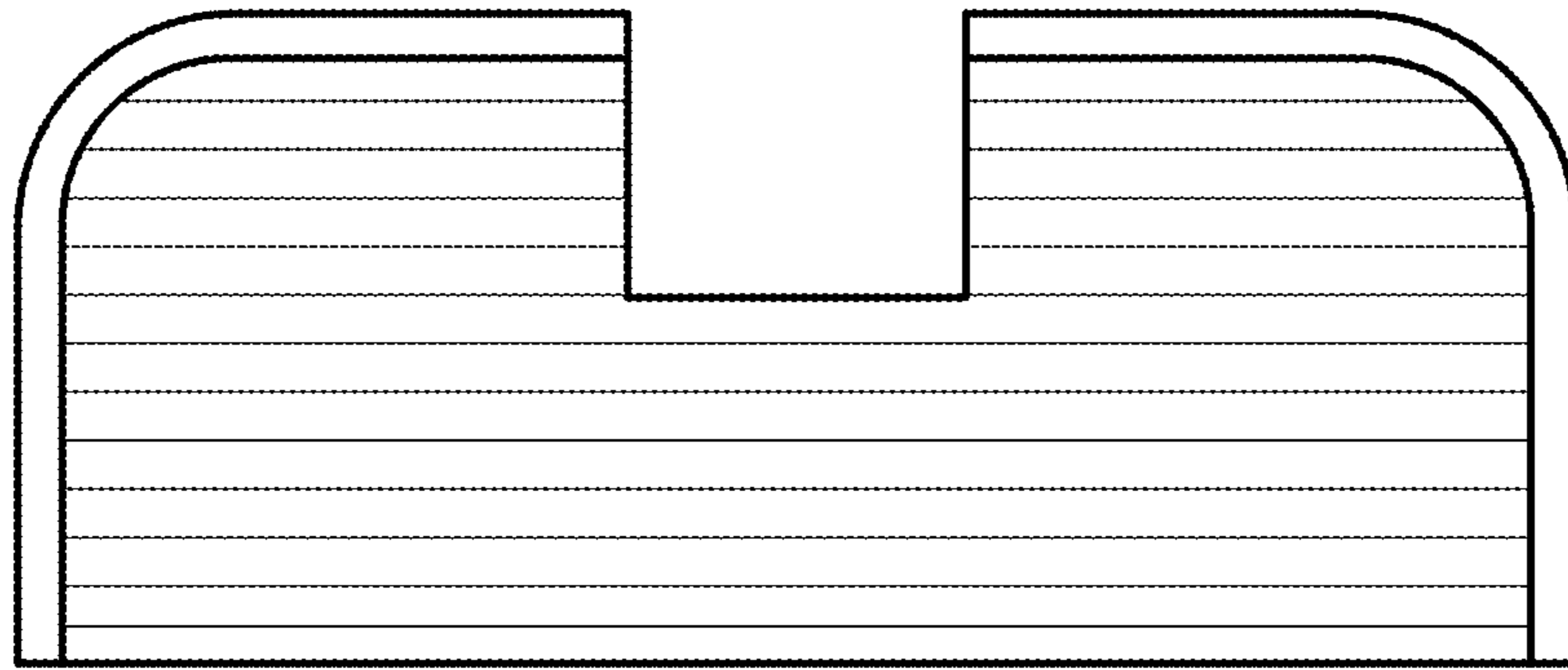


Fig. 7