



US00D716408S

(12) **United States Design Patent**  
**Oglesby**

(10) **Patent No.:** **US D716,408 S**

(45) **Date of Patent:** **\*\* Oct. 28, 2014**

(54) **FINNED MUZZLE DEVICE**

(71) Applicant: **Paul Oglesby**, Darley (GB)

(72) Inventor: **Paul Oglesby**, Darley (GB)

(\*\*) Term: **14 Years**

(21) Appl. No.: **29/476,894**

(22) Filed: **Dec. 18, 2013**

(51) **LOC (10) Cl.** ..... **22-01**

(52) **U.S. Cl.**  
USPC ..... **D22/108**

(58) **Field of Classification Search**  
USPC ..... D22/103, 108; 42/1.06, 107,  
42/76.02-76.1; D21/572-575;  
89/14.1-14.8, 14.05, 177  
See application file for complete search history.

(56) **References Cited**

**U.S. PATENT DOCUMENTS**

2,442,382	A *	6/1948	Sieg	89/14.3
3,492,912	A *	2/1970	Ashbrook	89/14.3
D285,238	S *	8/1986	Cellini	D22/108
7,748,306	B1 *	7/2010	Curry et al.	89/14.3
7,870,815	B2 *	1/2011	Hung	89/14.2
8,205,538	B2 *	6/2012	Dueck et al.	89/14.3

8,342,071	B2 *	1/2013	Hortobagyi	89/14.2
D694,355	S *	11/2013	Hormann	D22/108
2013/0199071	A1 *	8/2013	Lee	42/76.01

\* cited by examiner

*Primary Examiner* — Michael A Pratt

(74) *Attorney, Agent, or Firm* — Shaddock Law Group, PC

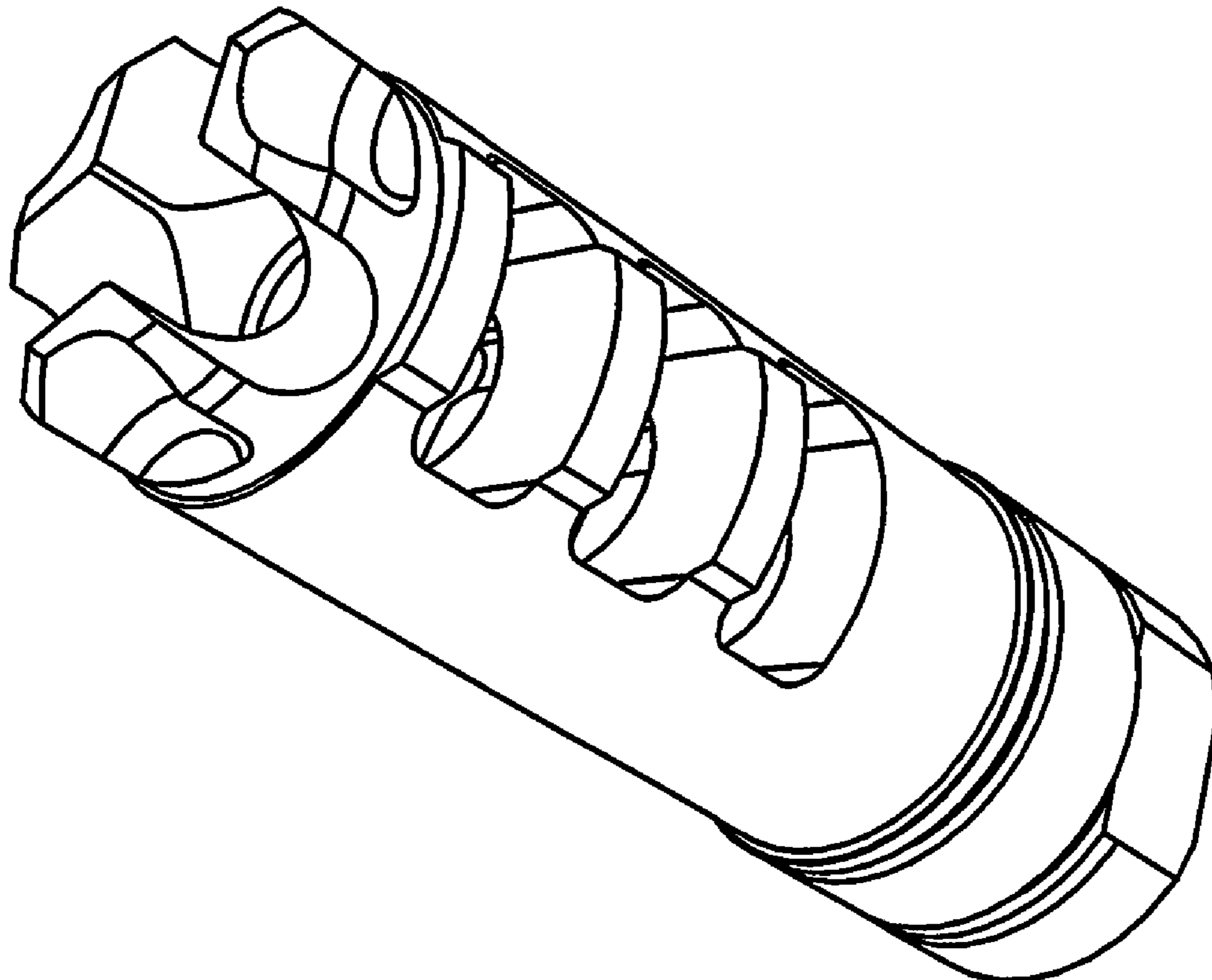
(57) **CLAIM**

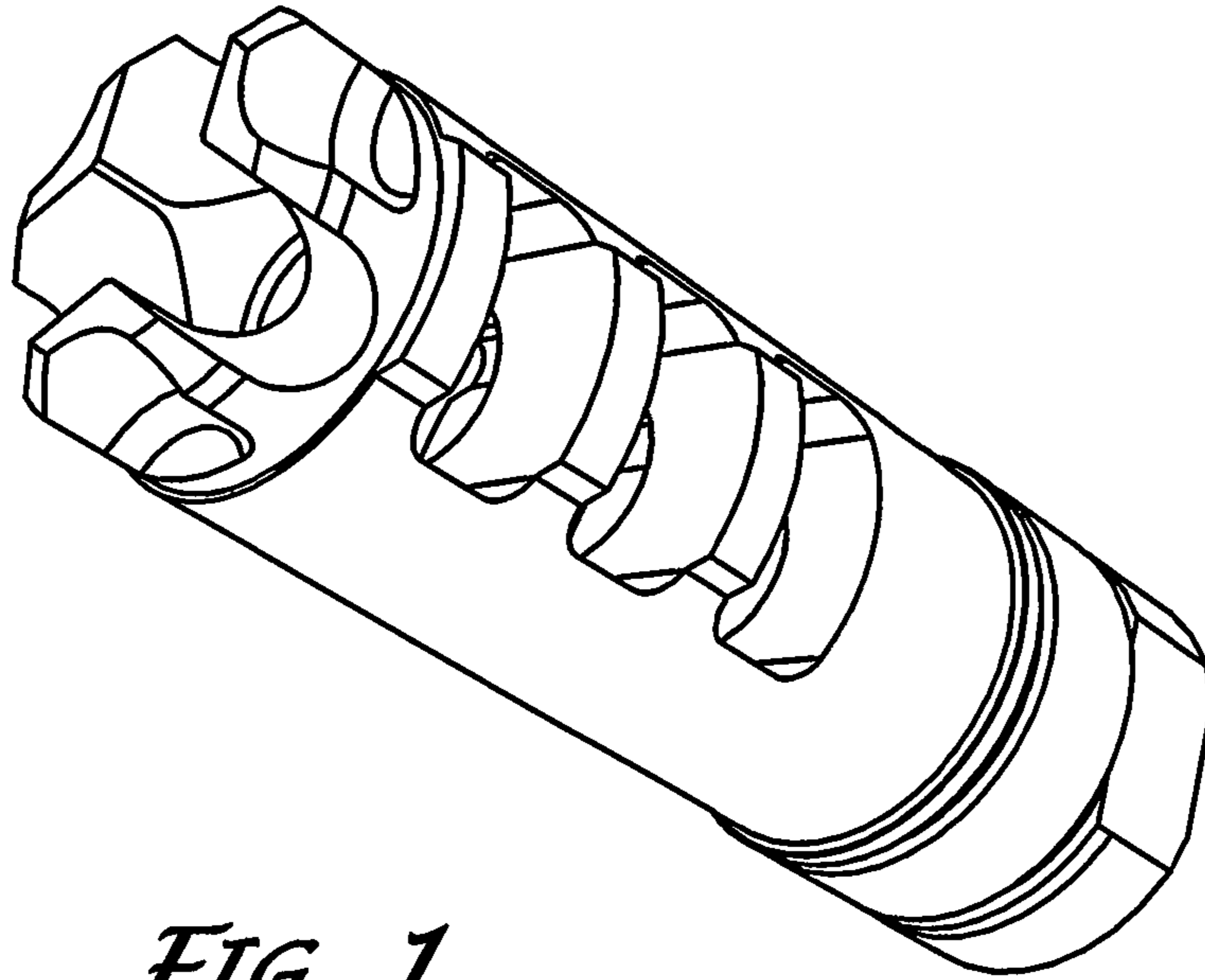
The ornamental design for a finned muzzle device, substantially as shown and described.

**DESCRIPTION**

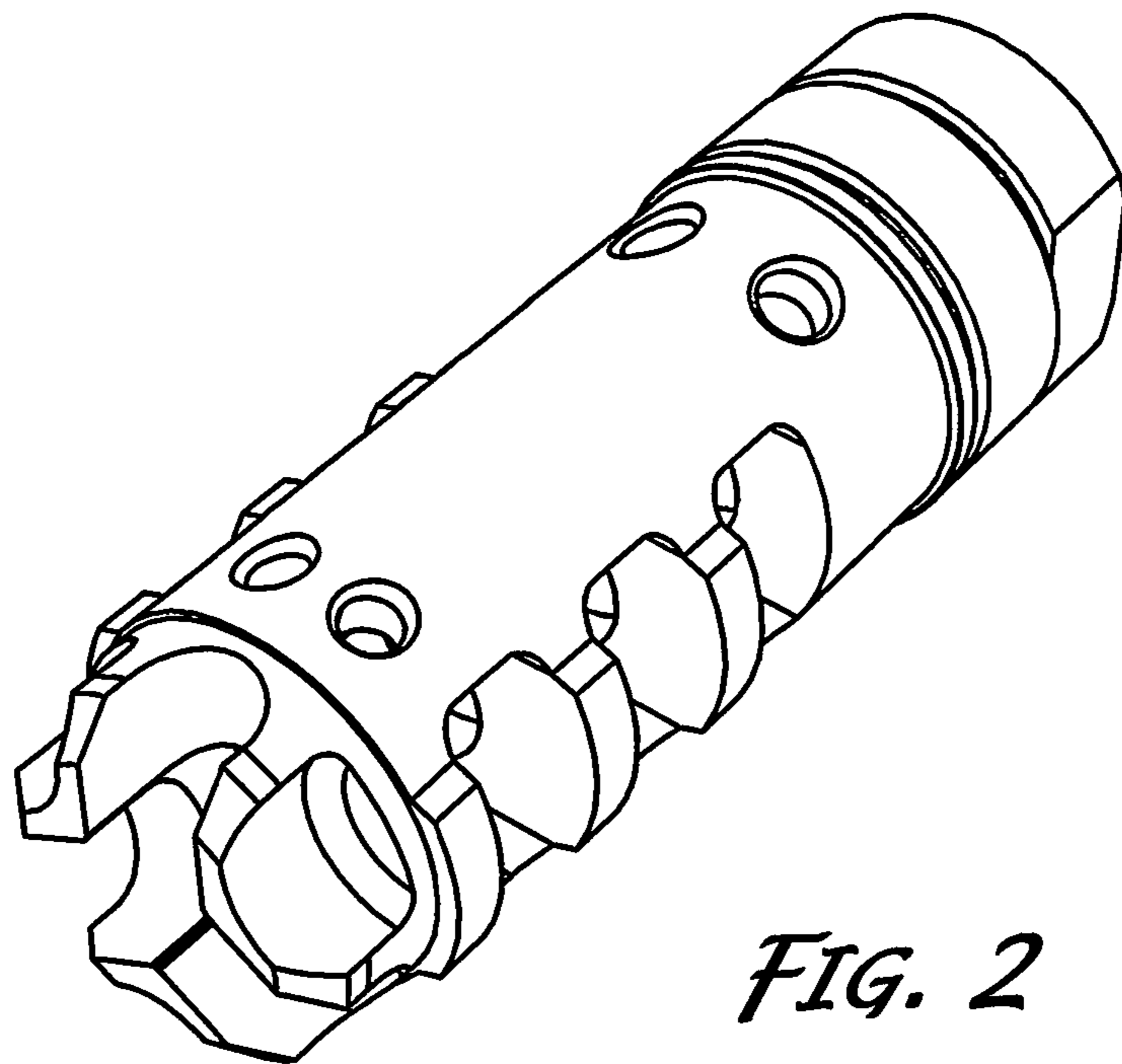
FIG. 1 is a lower front perspective view of a first exemplary embodiment of the finned muzzle device, showing my new design;  
 FIG. 2 is an upper front perspective view thereof;  
 FIG. 3 is an upper rear perspective view thereof;  
 FIG. 4 is a lower rear perspective view thereof;  
 FIG. 5 is a top plan view thereof;  
 FIG. 6 is a bottom plan view thereof;  
 FIG. 7 is a right side view thereof;  
 FIG. 8 is a left side view thereof;  
 FIG. 9 is a right side perspective view thereof;  
 FIG. 10 is a left side perspective view thereof;  
 FIG. 11 is a front view thereof; and,  
 FIG. 12 is a rear view thereof.

**1 Claim, 6 Drawing Sheets**

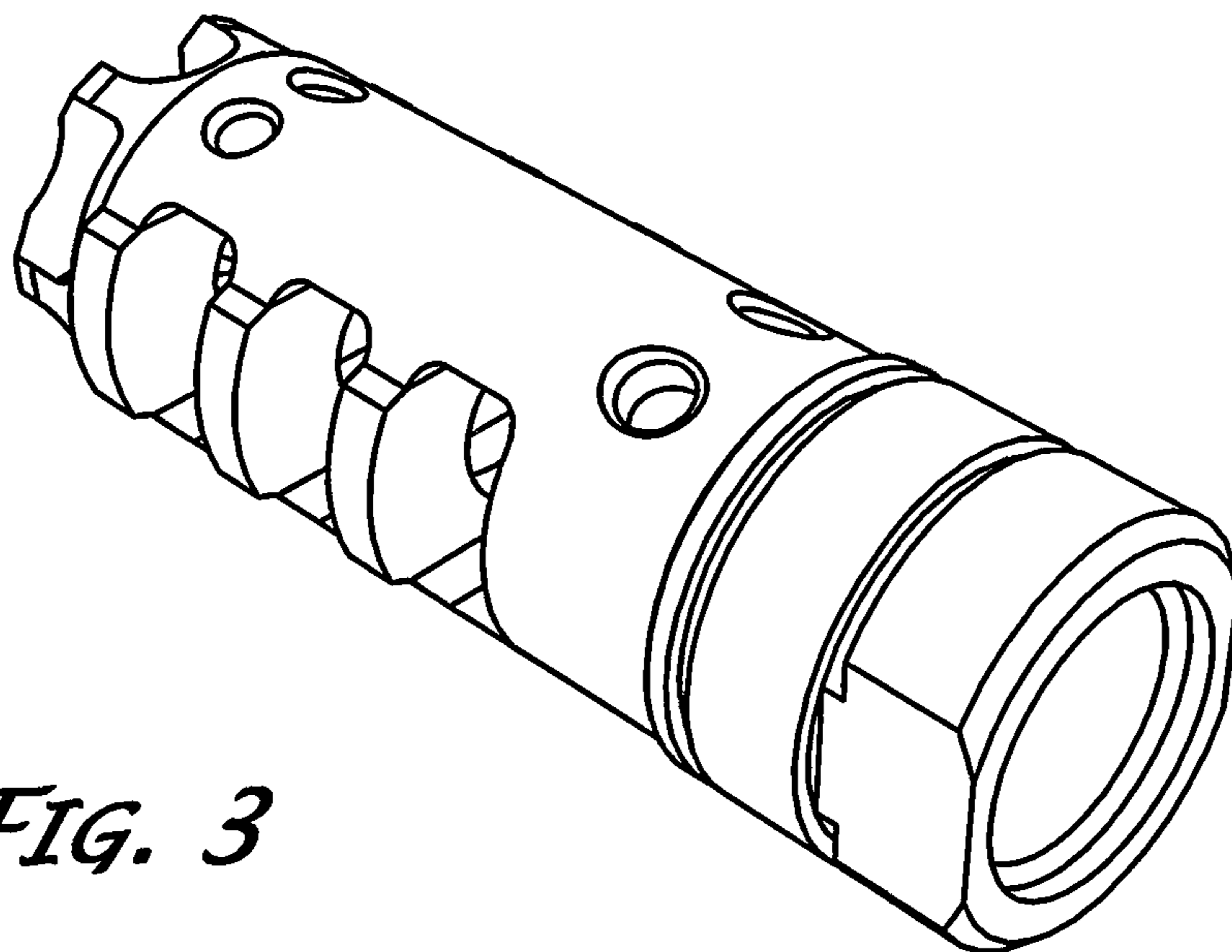




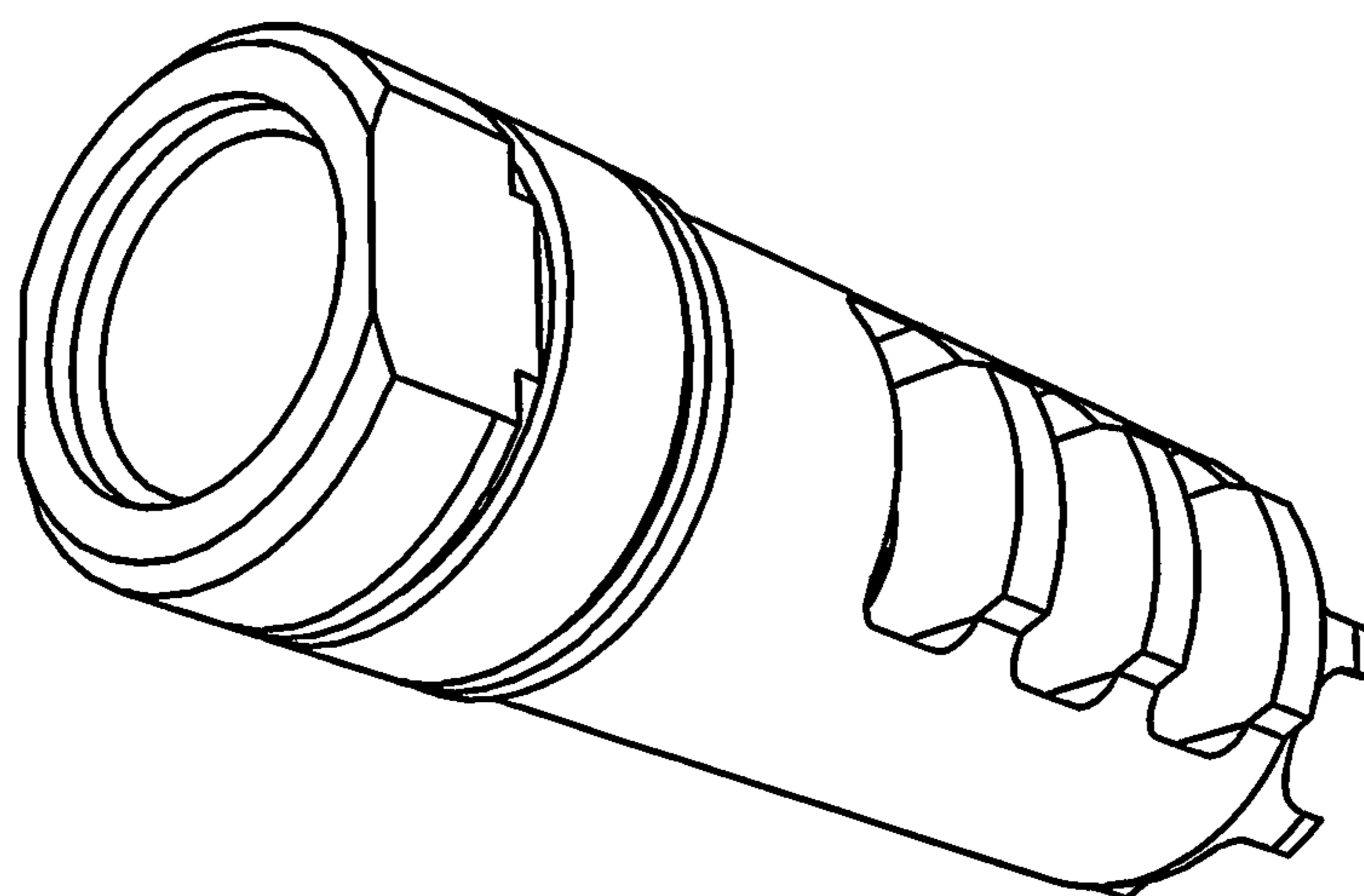
*FIG. 1*



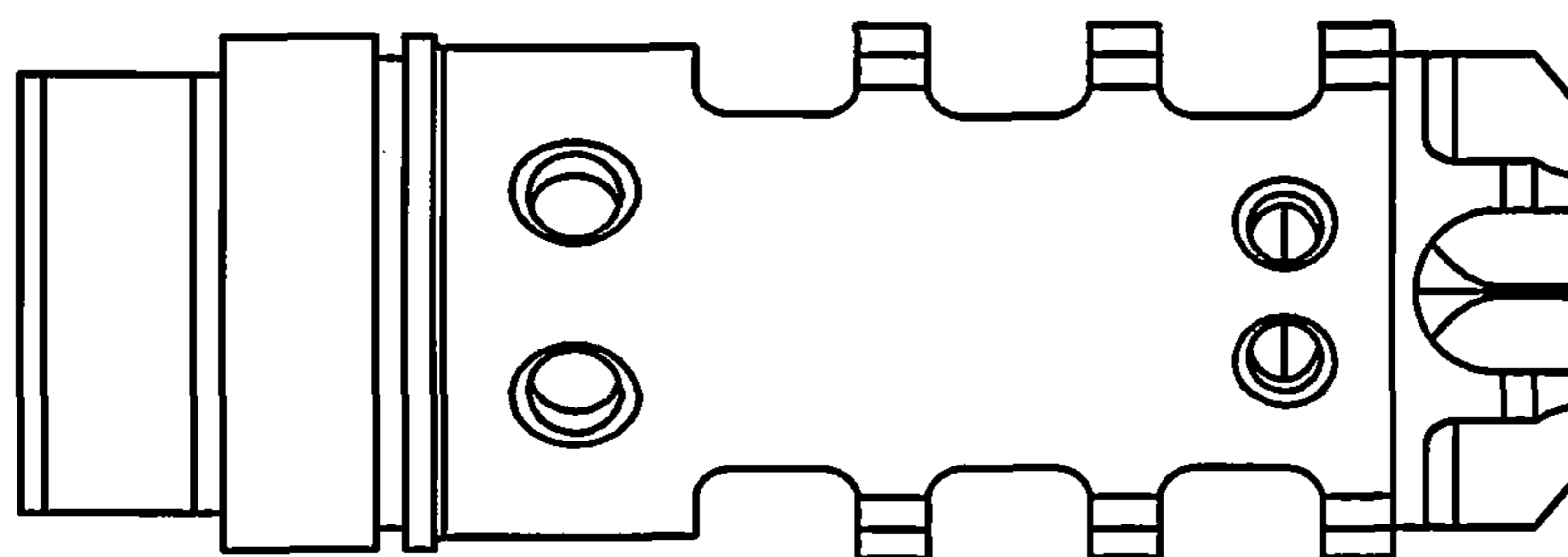
*FIG. 2*



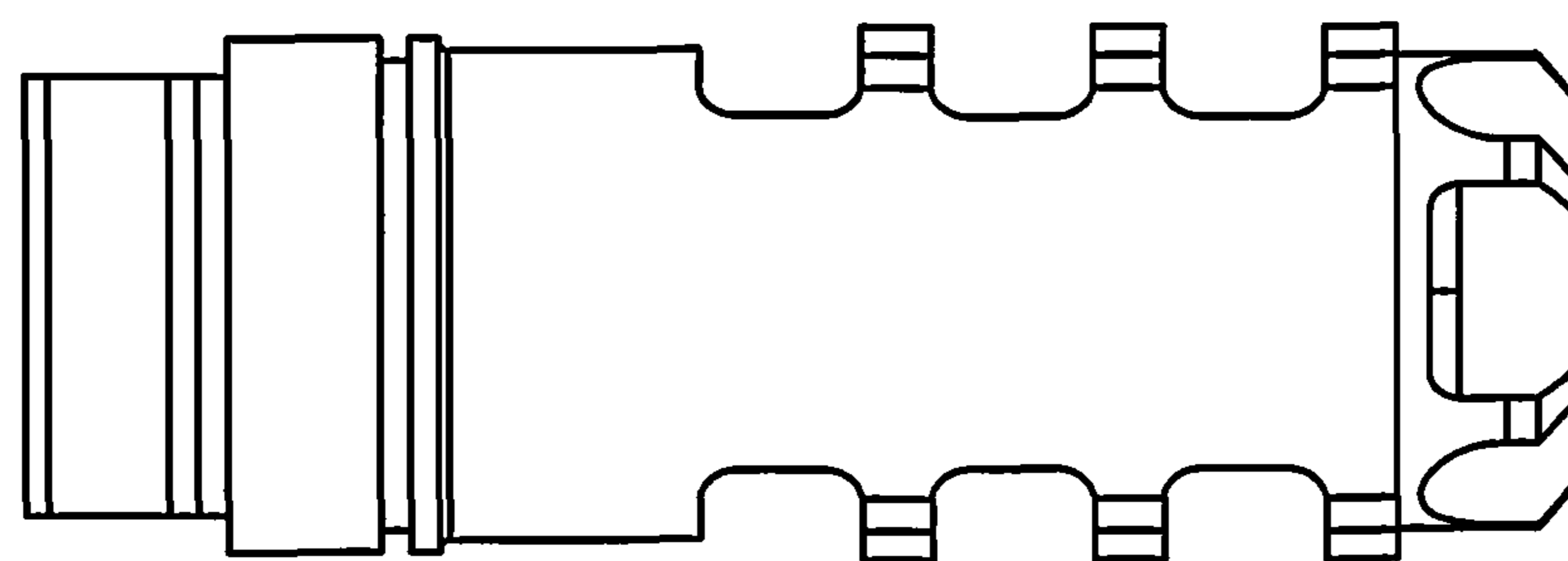
*FIG. 3*



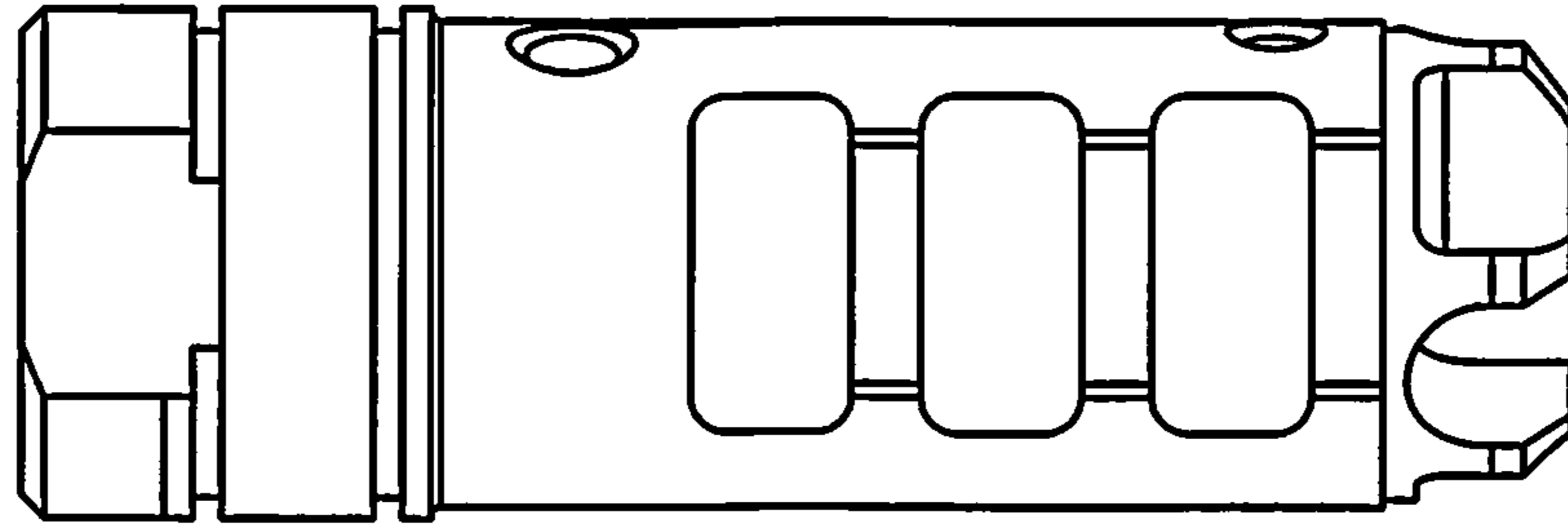
*FIG. 4*



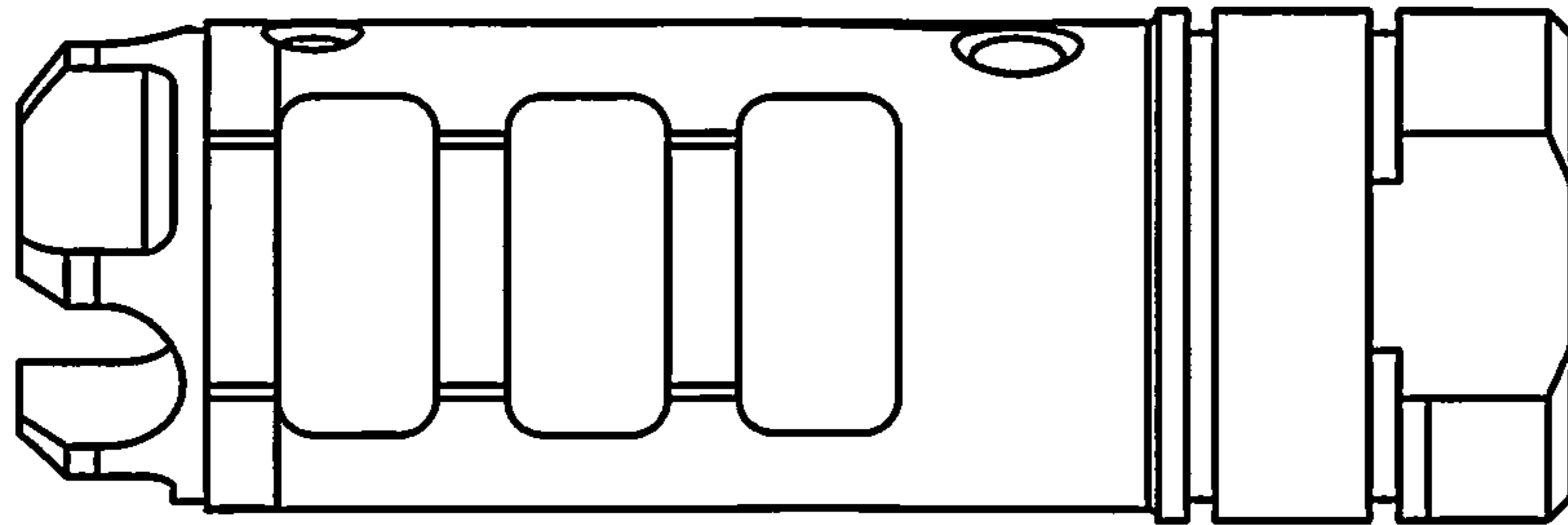
*FIG. 5*



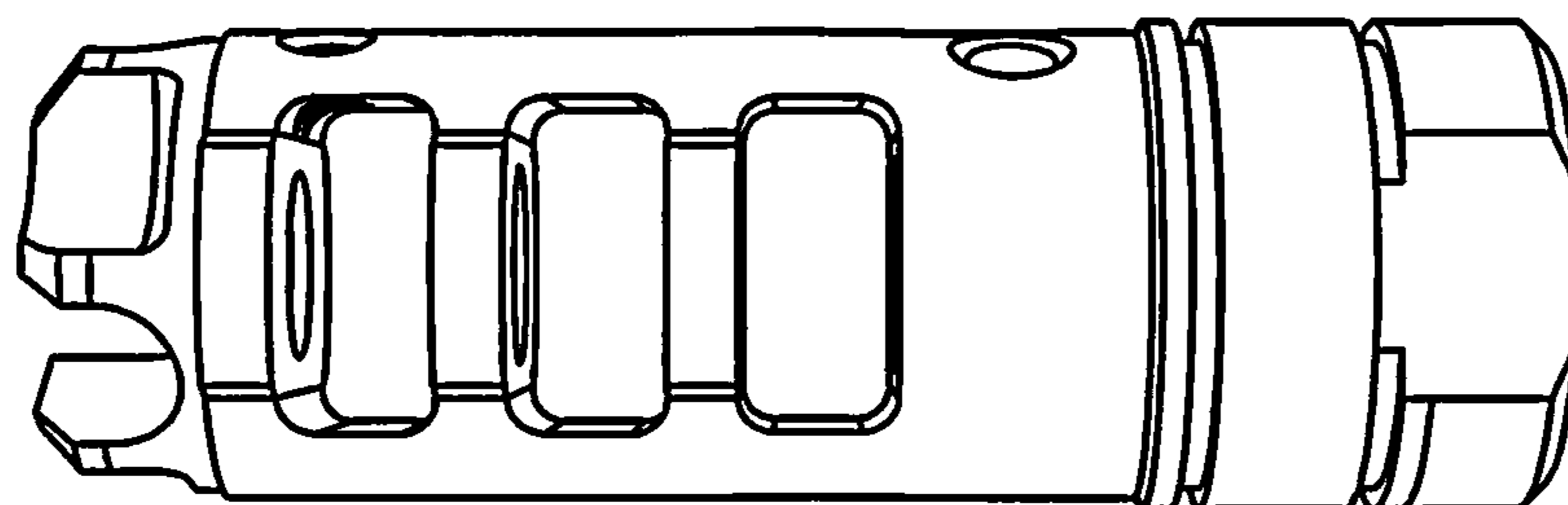
*FIG. 6*



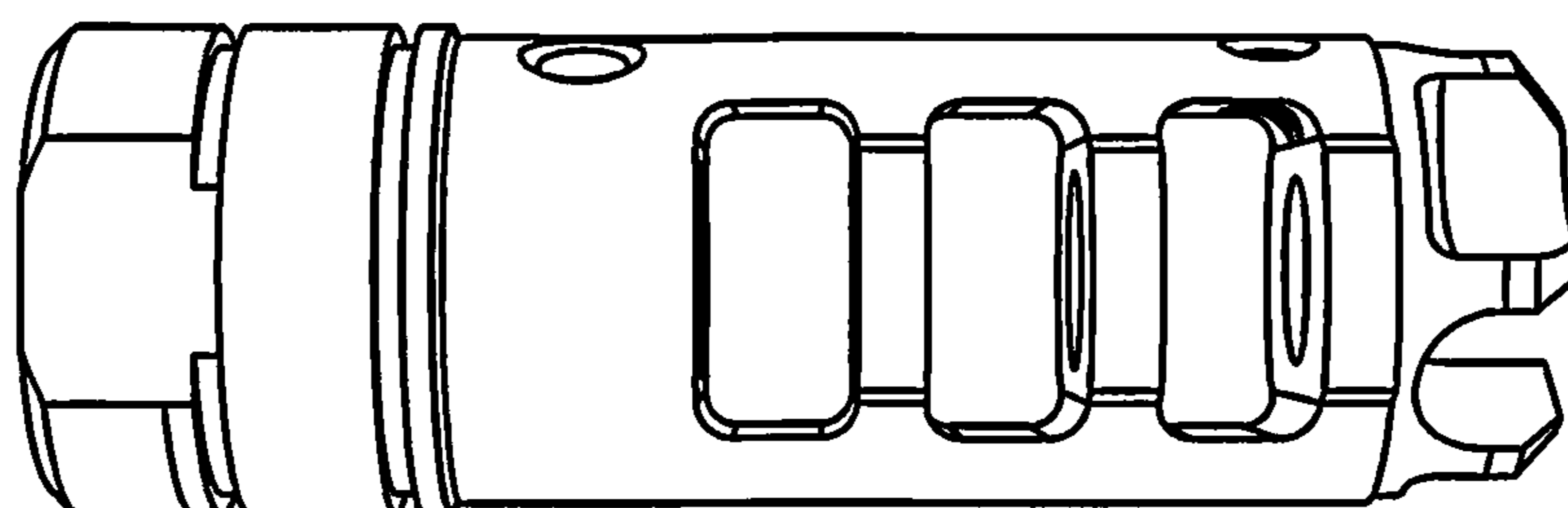
*FIG. 7*



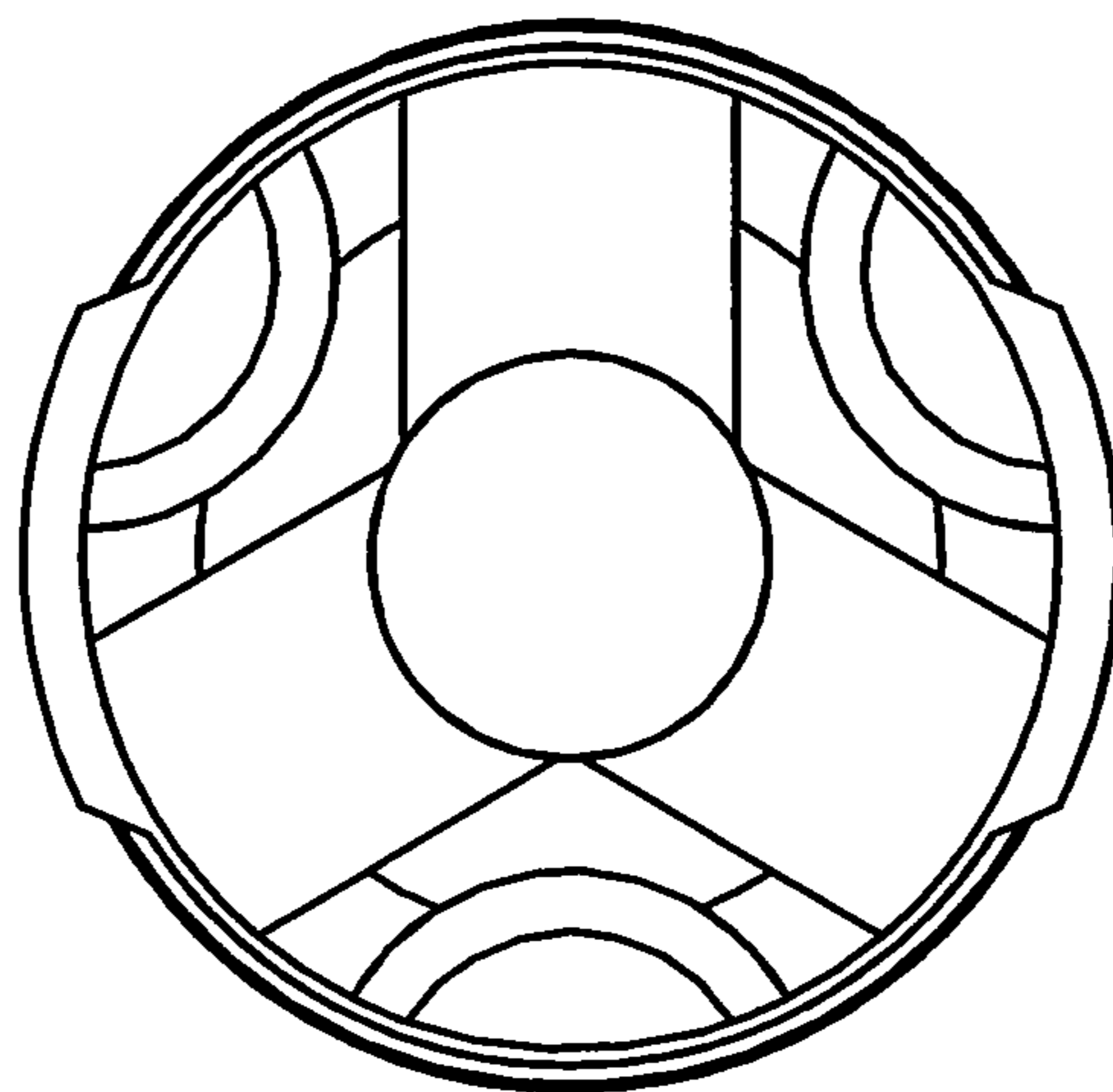
*FIG. 8*



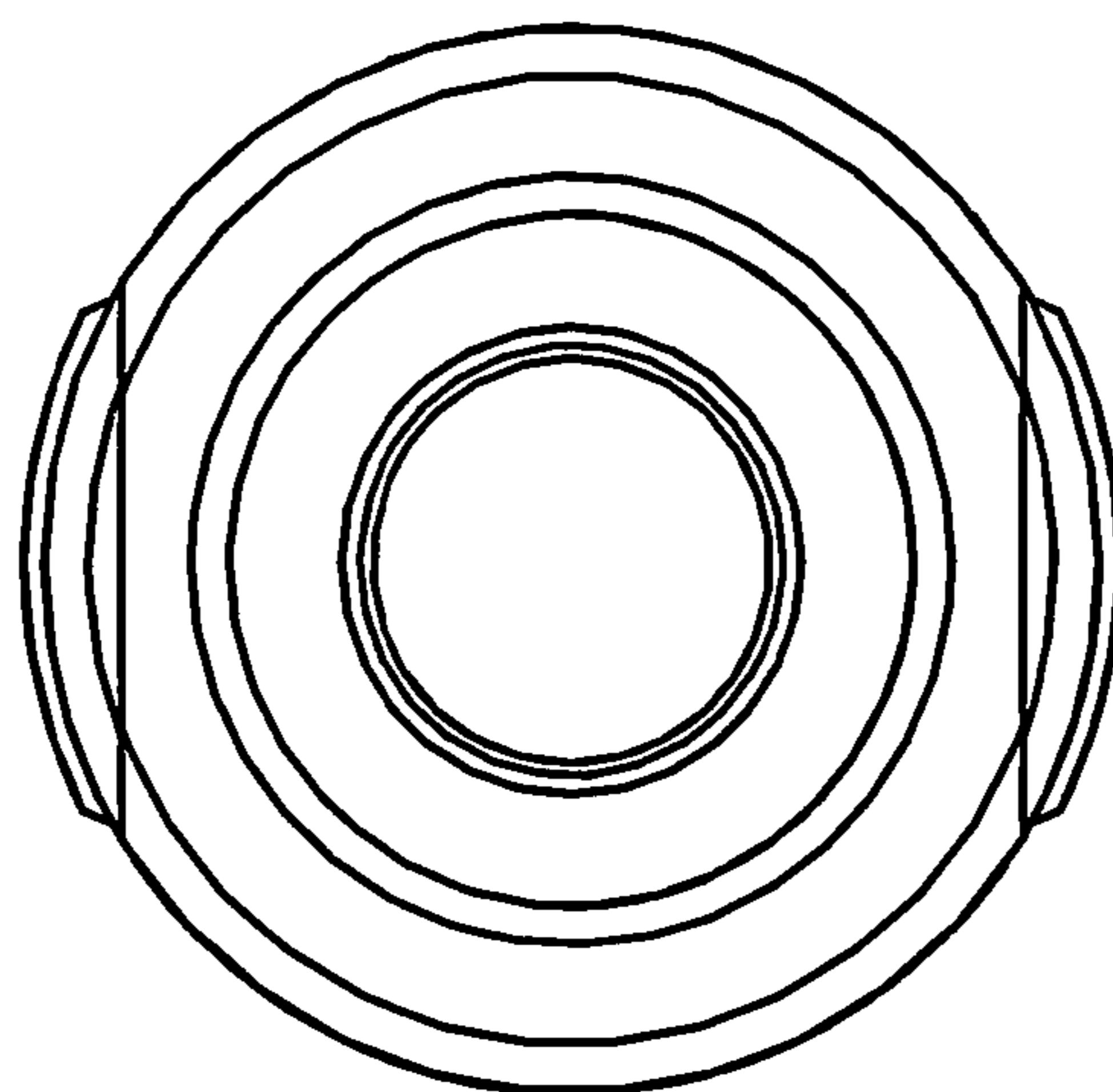
*FIG. 9*



*FIG. 10*



*FIG. 11*



*FIG. 12*