



US00D716407S

(12) **United States Design Patent**  
**Ferguson, II et al.**

(10) **Patent No.:** **US D716,407 S**

(45) **Date of Patent:** **\*\* Oct. 28, 2014**

(54) **AUTOMATIC RIFLE SAFETY PLUG INDICATOR**

(56) **References Cited**

U.S. PATENT DOCUMENTS

(71) Applicants: **Richard Timothy Ferguson, II**,  
Russellville, KY (US); **Richard Timothy Ferguson**, Franklin, KY (US)

3,378,943 A	4/1968	Valburg	
4,603,498 A	8/1986	Johnson	
4,896,447 A	1/1990	Badoni	
5,010,674 A	4/1991	Horton	
5,033,218 A	7/1991	Nelson	
5,311,691 A	5/1994	Cacek	
6,250,008 B1	6/2001	Silver	
D445,475 S	7/2001	Spear	
6,408,556 B1	6/2002	Achee et al.	
6,470,615 B1	10/2002	Peterken	
6,675,520 B2	1/2004	Burigana	
7,266,921 B2	9/2007	McClellan	
D576,701 S	9/2008	Nichols	
7,493,720 B1 *	2/2009	Householder	42/98
D620,996 S	8/2010	DiGiuseppe et al.	
2013/0312306 A1 *	11/2013	Ruffin	42/70.07
2014/0075816 A1 *	3/2014	Larson et al.	42/73

(72) Inventors: **Richard Timothy Ferguson, II**,  
Russellville, KY (US); **Richard Timothy Ferguson**, Franklin, KY (US)

(73) Assignee: **Dead Eye Supply, Inc.**, Franklin, KY (US)

(\*\*) Term: **14 Years**

(21) Appl. No.: **29/459,099**

\* cited by examiner

(22) Filed: **Jun. 26, 2013**

Primary Examiner — Michael A Pratt

(51) **LOC (10) Cl.** ..... **22-01**

(74) *Attorney, Agent, or Firm* — Laura M. Hagan; Kerrick Bachert Stivers PSC

(52) **U.S. Cl.**  
USPC ..... **D22/108**

(57) **CLAIM**

We claim the ornamental design for a automatic rifle safety plug indicator, as shown and described.

(58) **Field of Classification Search**

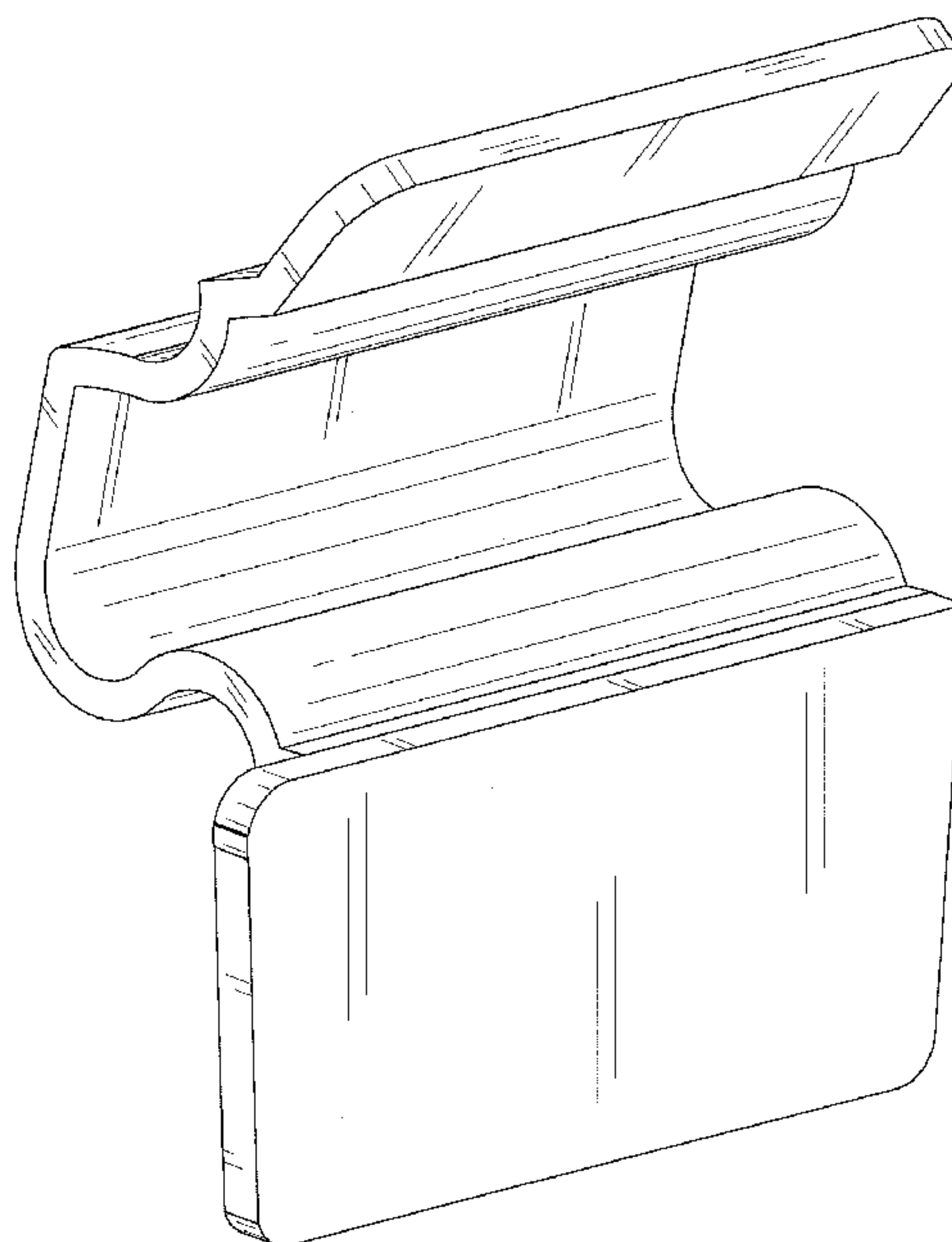
**DESCRIPTION**

CPC ..... F41A 17/20; F41A 17/22; F41A 17/24;  
F41A 17/26; F41A 17/28; F41A 17/30;  
F41A 17/32; F41A 17/42; F41A 17/44;  
F41A 17/46; F41A 17/48; F41A 17/52;  
F41A 17/54  
USPC ..... D22/108; 42/44, 66, 70.02, 70.06,  
42/70.07, 70.11, 150; 70/58, 63, 202, 211,  
70/312

FIG. 1 is a perspective view of the automatic rifle safety plug indicator, showing our new design;  
FIG. 2 is another perspective view thereof;  
FIG. 3 is a rear plan view thereof;  
FIG. 4 is a front plan view thereof;  
FIG. 5 is a top plan view thereof;  
FIG. 6 is the bottom plan view thereof;  
FIG. 7 is a left side plan view thereof; and,  
FIG. 8 is a right side plan view thereof.

See application file for complete search history.

**1 Claim, 5 Drawing Sheets**



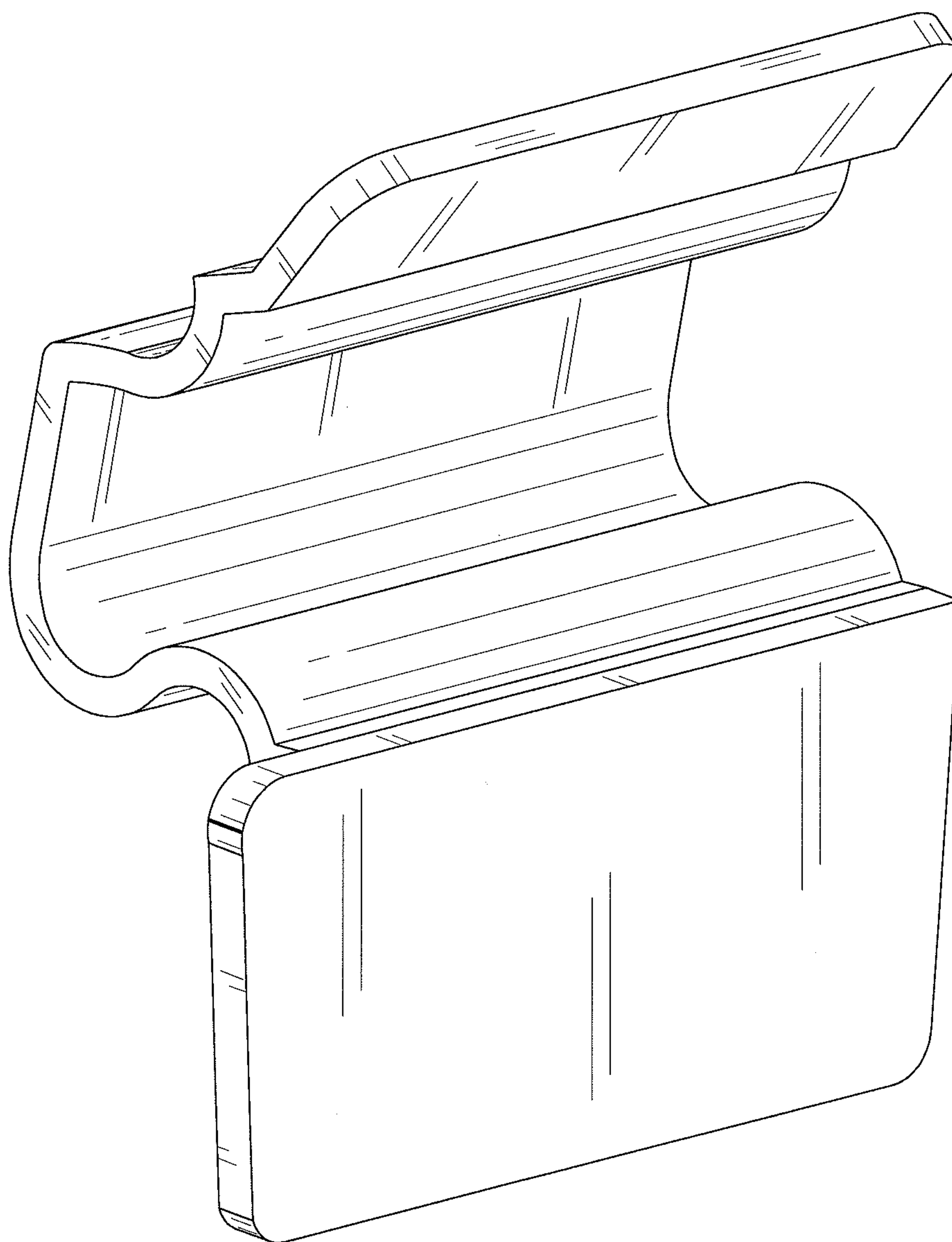


FIG. 1

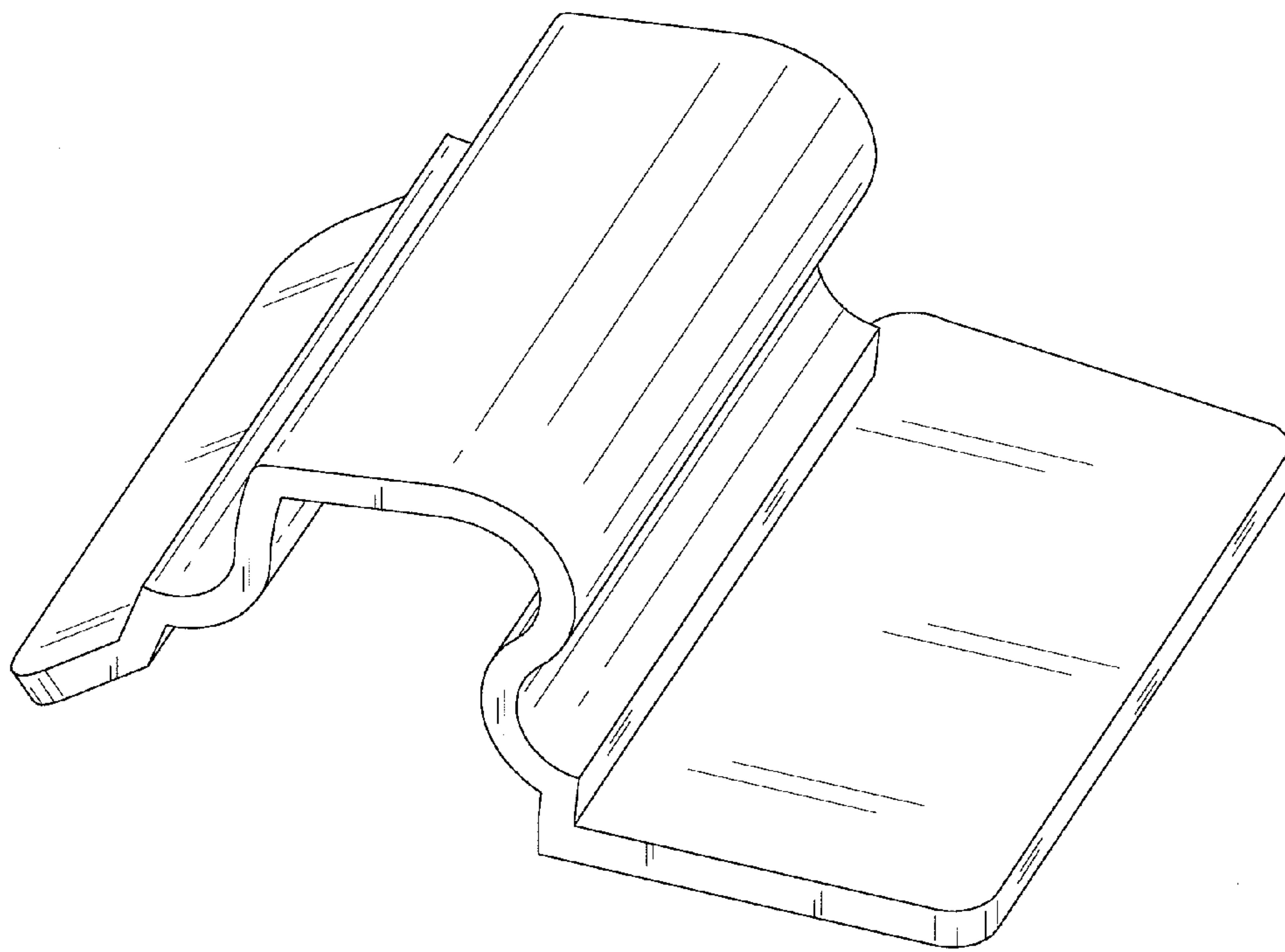


FIG. 2

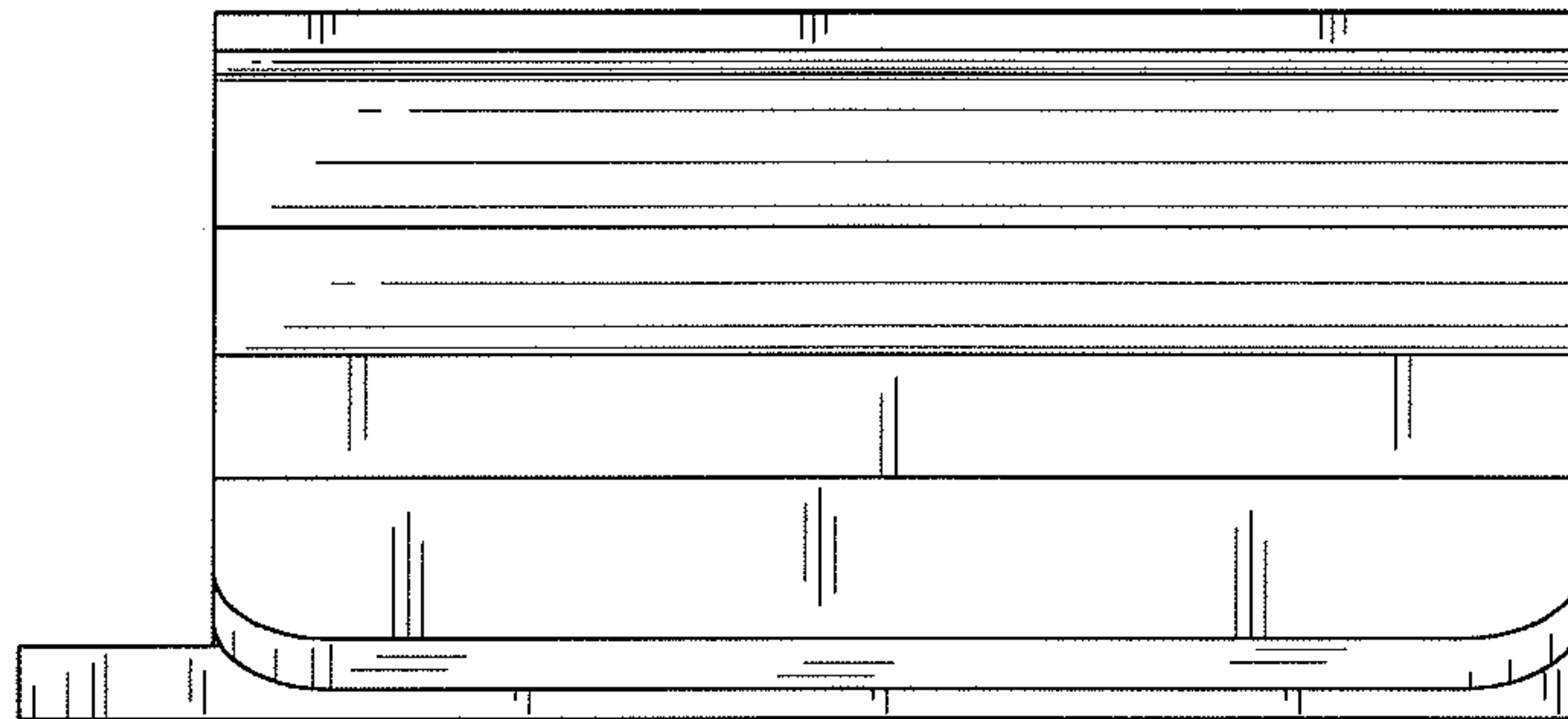


FIG. 3

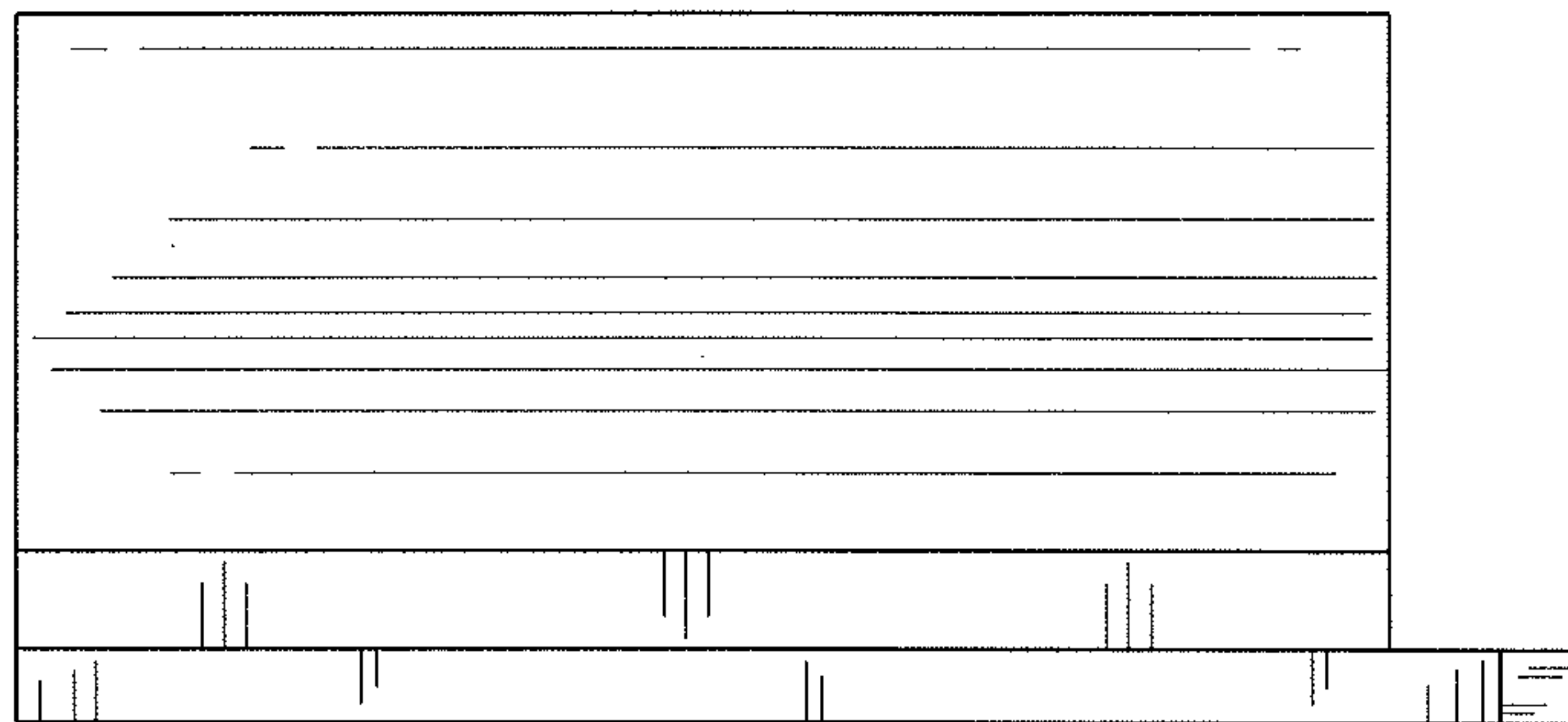


FIG. 4

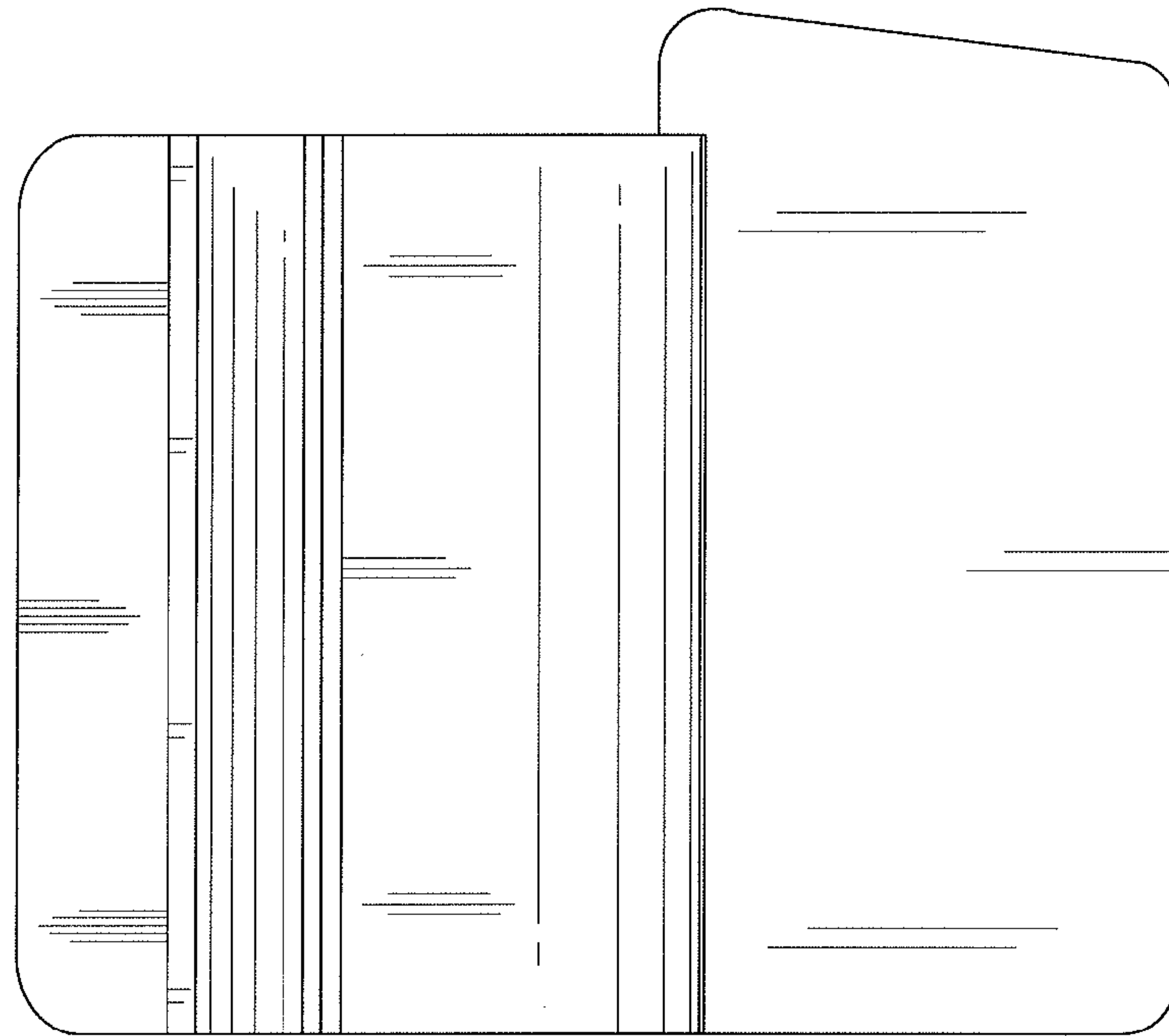


FIG. 5

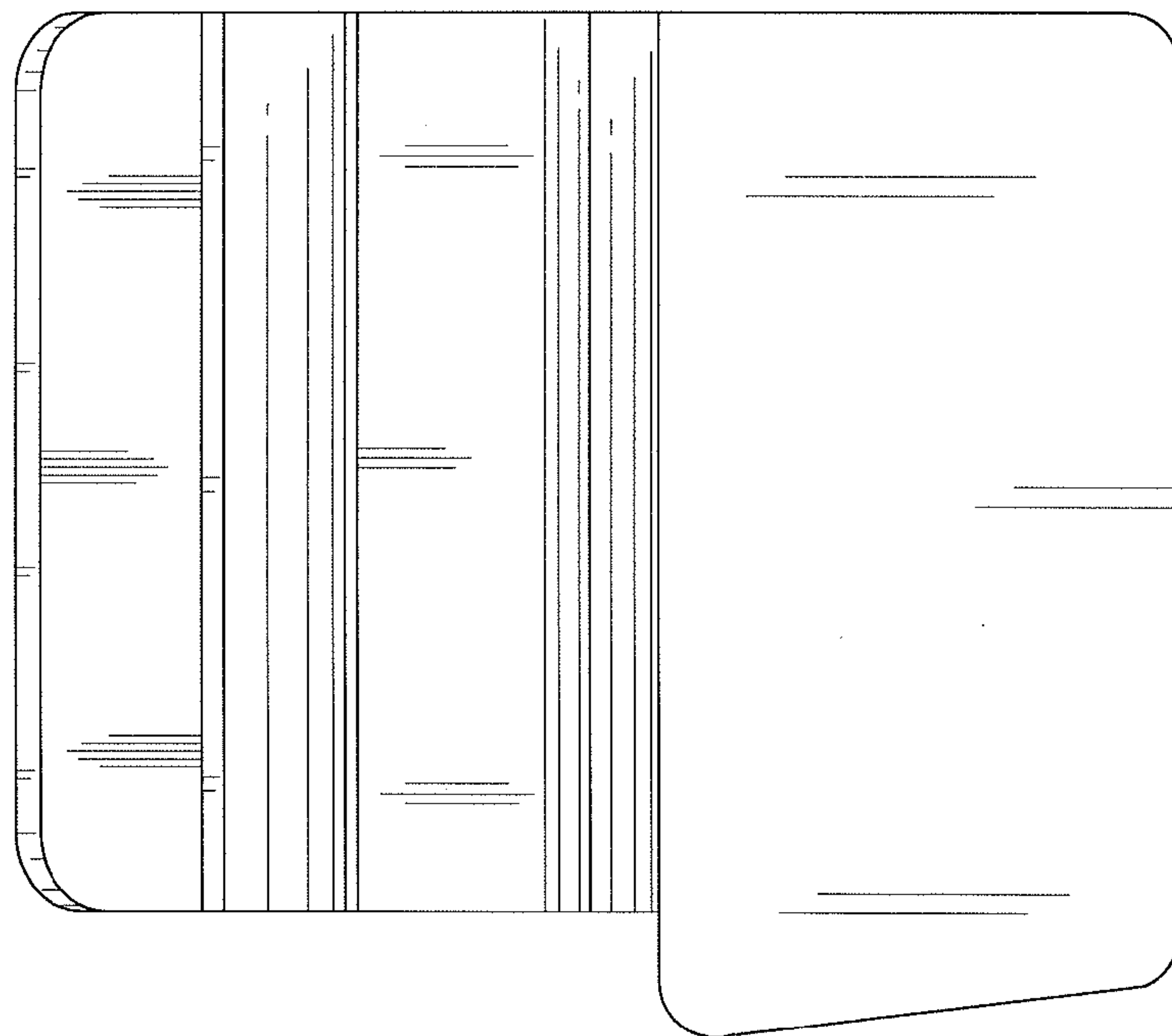


FIG. 6

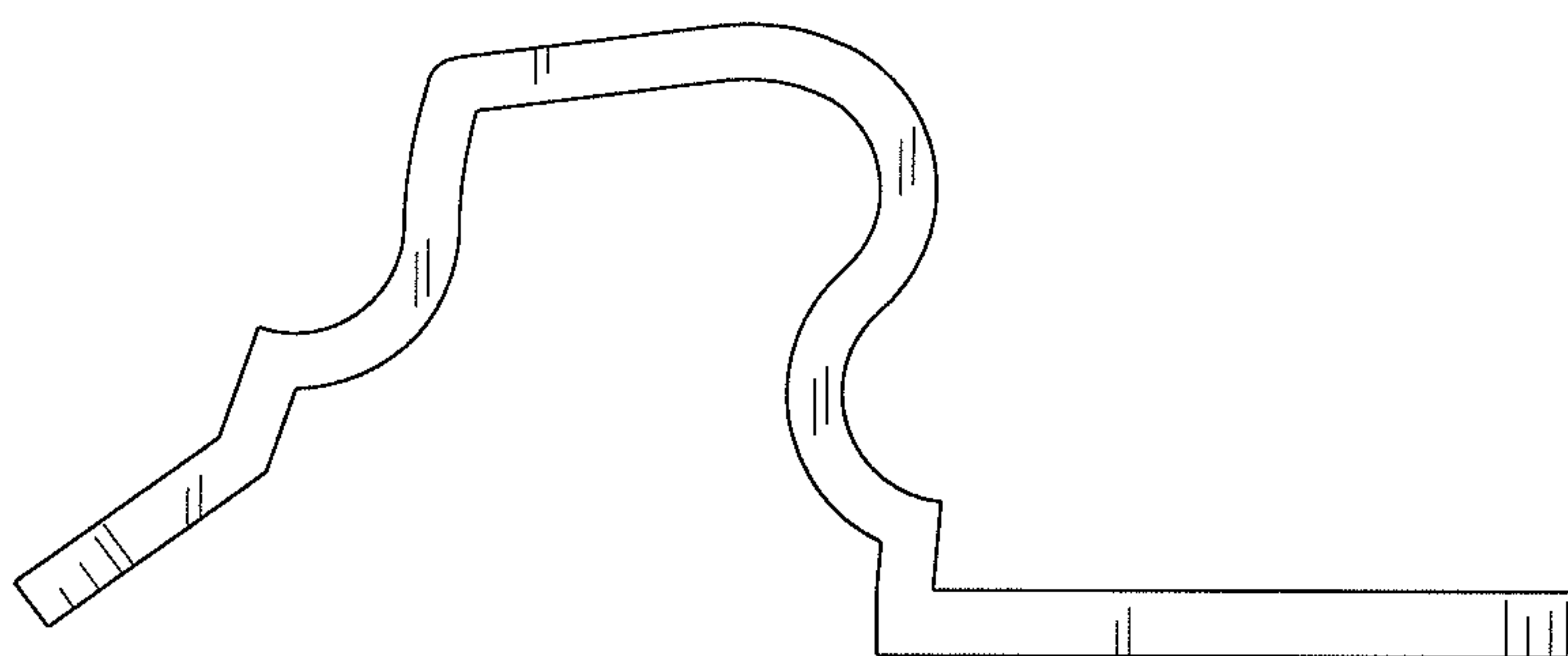


FIG. 7

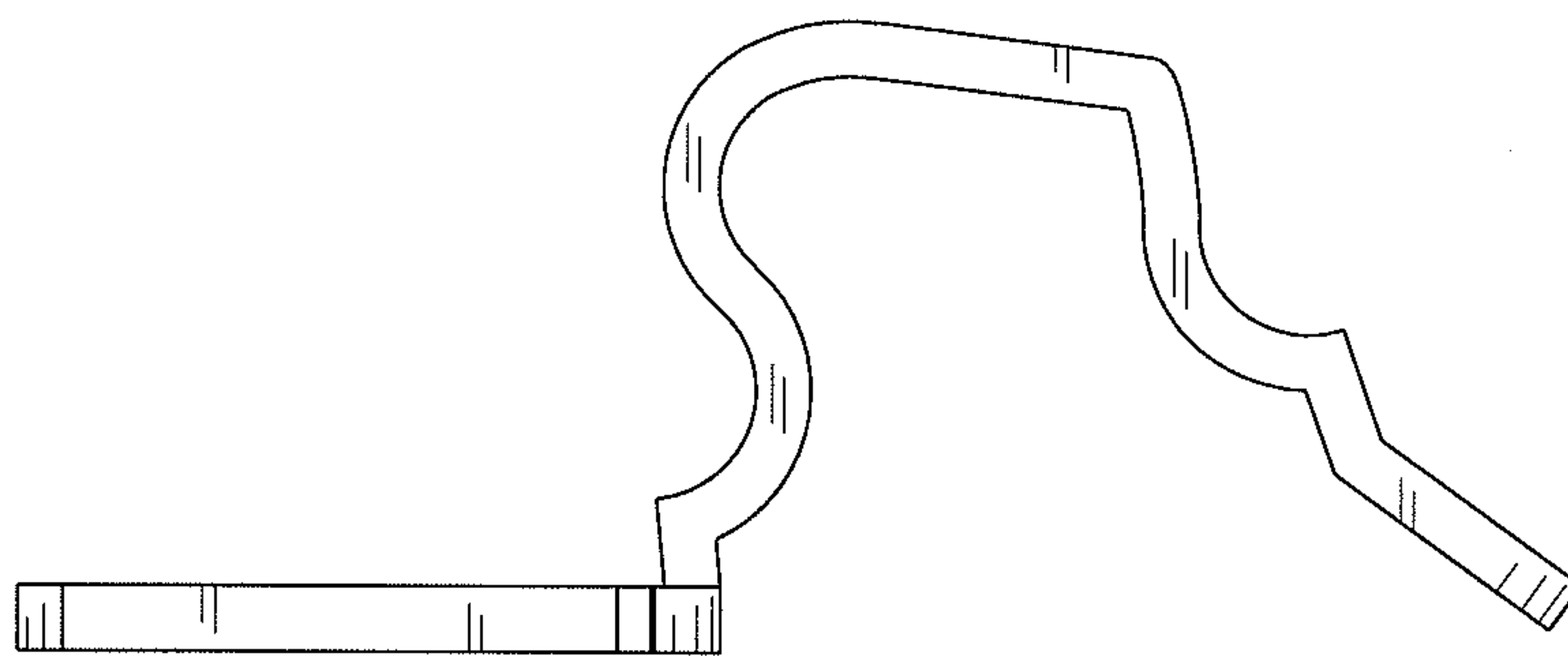


FIG. 8