



US00D716403S

(12) **United States Design Patent**
Burt et al.

(10) **Patent No.:** **US D716,403 S**

(45) **Date of Patent:** **** *Oct. 28, 2014**

(54) **FIREARM STOCK**

(75) Inventors: **Eric C. Burt**, Boulder, CO (US); **Ethan Lessard**, East Kingston, NH (US)

(73) Assignee: **RA Brands, L.L.C.**, Madison, NC (US)

(*) Notice: This patent is subject to a terminal disclaimer.

(**) Term: **14 Years**

(21) Appl. No.: **29/432,044**

(22) Filed: **Sep. 13, 2012**

(51) **LOC (10) Cl.** **22-01**

(52) **U.S. Cl.**
USPC **D22/108**

(58) **Field of Classification Search**
USPC D22/100, 101, 103, 104, 108; 42/51, 42/90, 71.01, 71.02, 73, 75.01, 75.02; 89/40.06, 37.04, 33.04; D21/572-573
See application file for complete search history.

(56) **References Cited**

U.S. PATENT DOCUMENTS

2,424,194 A 7/1947 Sampson et al.
2,466,017 A 4/1949 Farber

(Continued)

FOREIGN PATENT DOCUMENTS

CA 117291 1/2008
DE 1225517 9/1966

OTHER PUBLICATIONS

Lewis, Jack & Steele, David E.; *The Gun Digest Book of Assault Weapons*, (5th ed. 2000); Krause Publications; Iola, Wisconsin; pp. 68-69, 125.

(Continued)

Primary Examiner — Michael A Pratt

(74) *Attorney, Agent, or Firm* — Womble Carlyle Sandridge & Rice, LLP

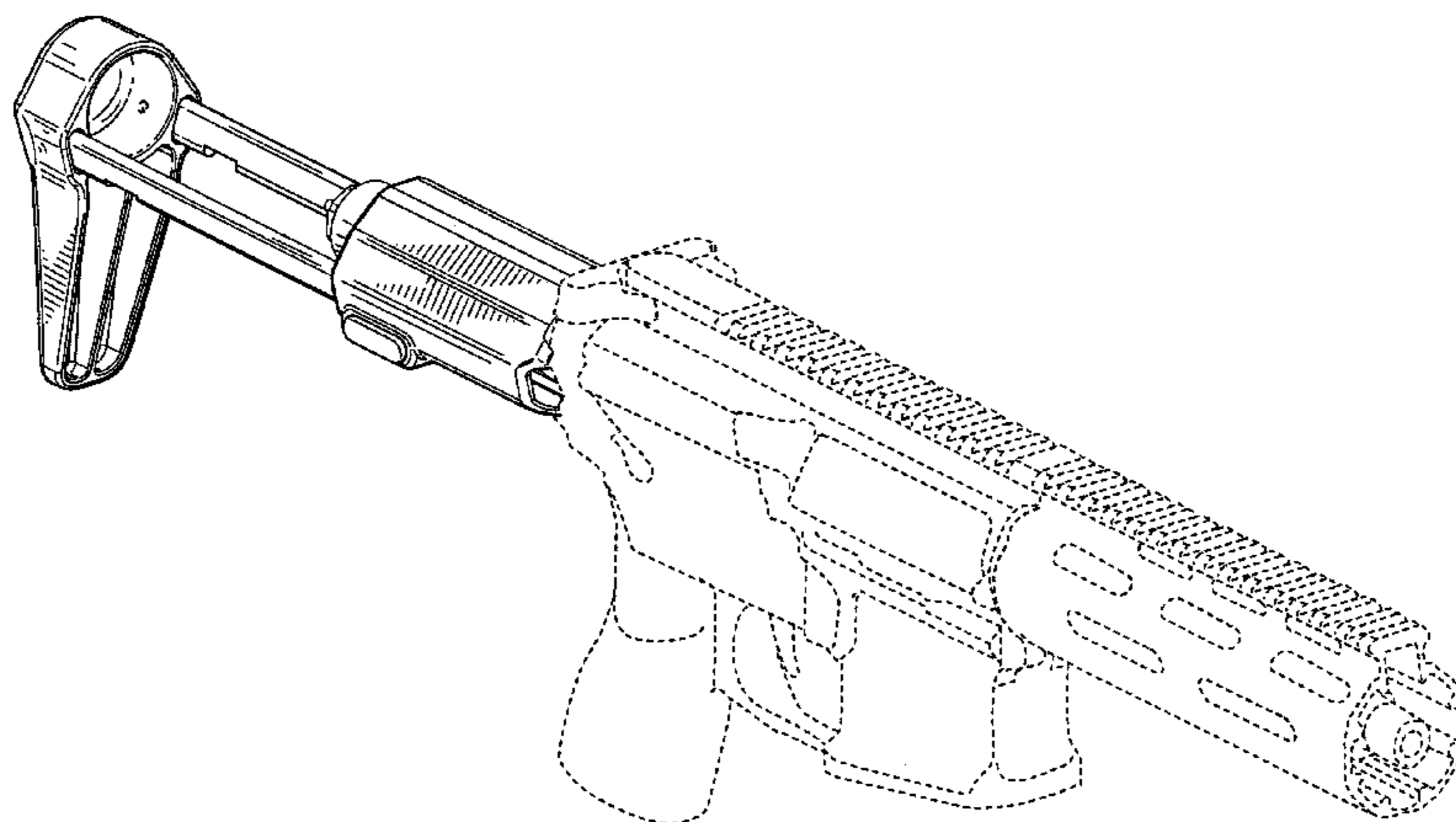
(57) **CLAIM**

The ornamental design for a firearm stock, as shown and described.

DESCRIPTION

FIG. 1 is a front perspective view of a firearm stock in an extended configuration, in accordance with the present invention;
FIG. 2 is a rear perspective view of the firearm stock of FIG. 1 in the extended configuration;
FIG. 3 is a right elevation view of the firearm stock of FIG. 1 in the extended configuration;
FIG. 4 is a left elevation view of the firearm stock of FIG. 1 in the extended configuration;
FIG. 5 is a top plan view of the firearm stock of FIG. 1 in the extended configuration;
FIG. 6 is a bottom plan view of the firearm stock of FIG. 1 in the extended configuration;
FIG. 7 is a front elevation view of the firearm stock of FIG. 1 in the extended configuration;
FIG. 8 is a rear elevation view of the firearm stock of FIG. 1 in the extended configuration;
FIG. 9 is a front perspective view of the firearm stock of FIG. 1 in a retracted configuration;
FIG. 10 is a rear perspective view of the firearm stock of FIG. 1 in the retracted configuration;
FIG. 11 is a right elevation view of the firearm stock of FIG. 1 in the retracted configuration;
FIG. 12 is a left elevation view of the firearm stock of FIG. 1 in the retracted configuration;
FIG. 13 is a top plan view of the firearm stock of FIG. 1 in the retracted configuration;
FIG. 14 is a bottom plan view of the firearm stock of FIG. 1 in the retracted configuration;
FIG. 15 is a front elevation view of the firearm stock of FIG. 1 in the retracted configuration; and,
FIG. 16 is a rear elevation view of the firearm stock of FIG. 1 in the retracted configuration.
The broken lines shown herein are for illustrative purposes and form no part of the claimed design.

1 Claim, 12 Drawing Sheets



(56)

References Cited

U.S. PATENT DOCUMENTS

3,827,172 A 8/1974 Howe
 4,383,384 A 5/1983 Fox
 4,735,007 A * 4/1988 Gal 42/72
 6,490,822 B1 12/2002 Swan
 6,564,492 B2 5/2003 Weldle et al.
 6,694,660 B1 2/2004 Davies
 6,839,998 B1 1/2005 Armstrong
 D537,901 S 3/2007 Elkaim
 D606,614 S 12/2009 Fitzpatrick et al.
 7,716,865 B2 5/2010 Daniel et al.
 7,770,317 B1 8/2010 Tankersley
 7,966,760 B2 * 6/2011 Fitzpatrick et al. 42/72
 D641,825 S 7/2011 Gridelet
 7,975,595 B2 7/2011 Robinson et al.
 8,061,072 B1 11/2011 Crose
 8,141,285 B2 3/2012 Brown
 8,191,300 B2 6/2012 Daniel

8,245,429 B2 * 8/2012 Kuczynko et al. 42/73
 8,276,304 B2 10/2012 Samson et al.
 8,336,243 B2 12/2012 Langevin et al.
 2010/0186276 A1 * 7/2010 Herring 42/6
 2012/0180354 A1 7/2012 Sullivan et al.
 2013/0047832 A1 2/2013 Hochstrate et al.

OTHER PUBLICATIONS

Color Image; Firearm carbine ACR 8 ss; 1 page; Mar. 8, 2013;
http://homefront.wikia.com/wiki/File:Firearm_carbine_ACR_8_ss.jpg.
 Barry, Max; NationStates; Awac States Log; 12 pages; Mar. 8, 2013;
<http://forum.nationstates.net/viewtopic.php?f=23&t=72464&start=0>.
 Zimba, Jeff W.; Another Tactical Upgrade from MGI Military: The QCB Upper Receiver for the AR-15/M16/M4; The Small Arms Review, vol. 8 No. 3; pp. 37-40; Dec. 2004.

* cited by examiner

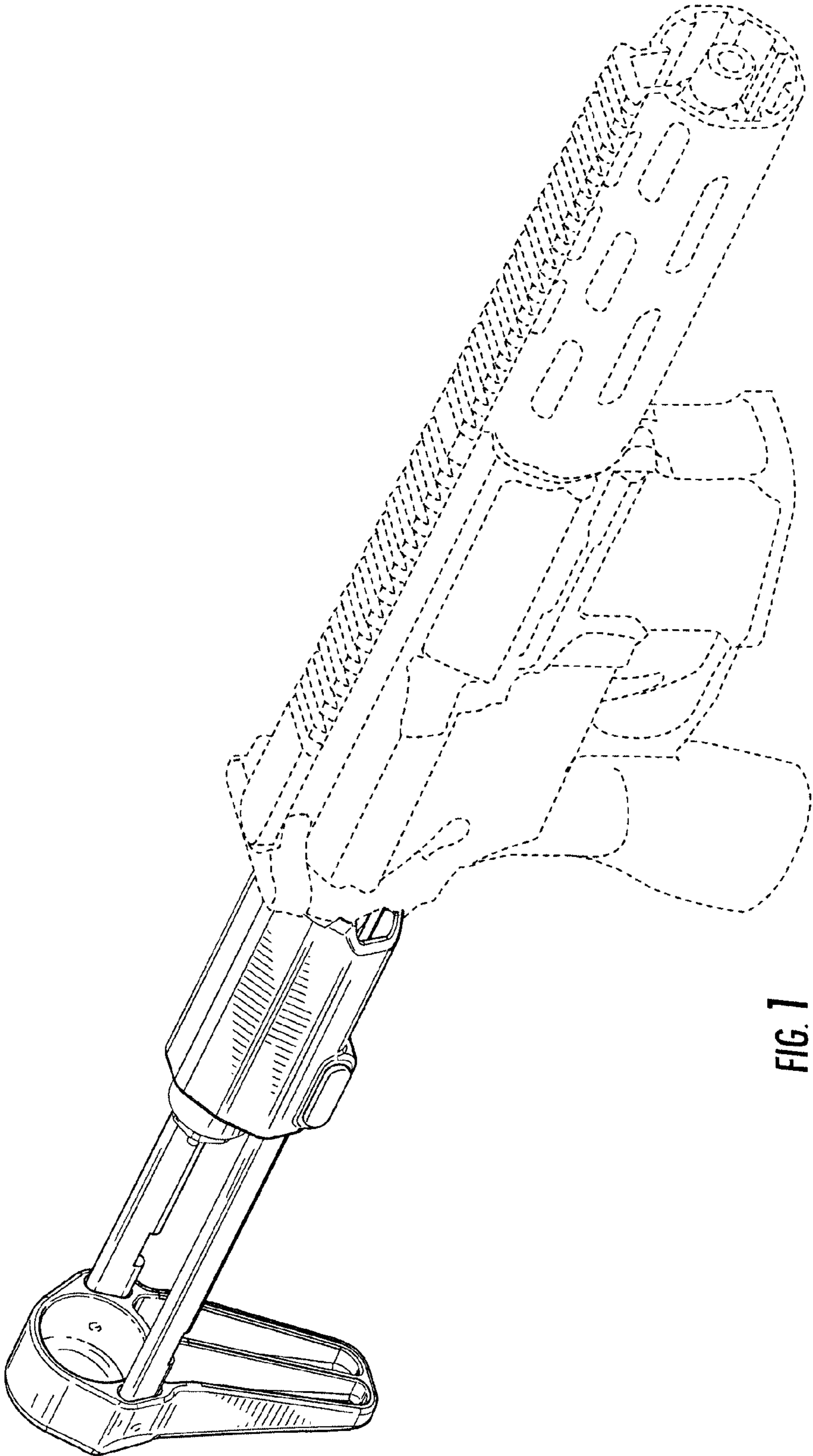


FIG. 7

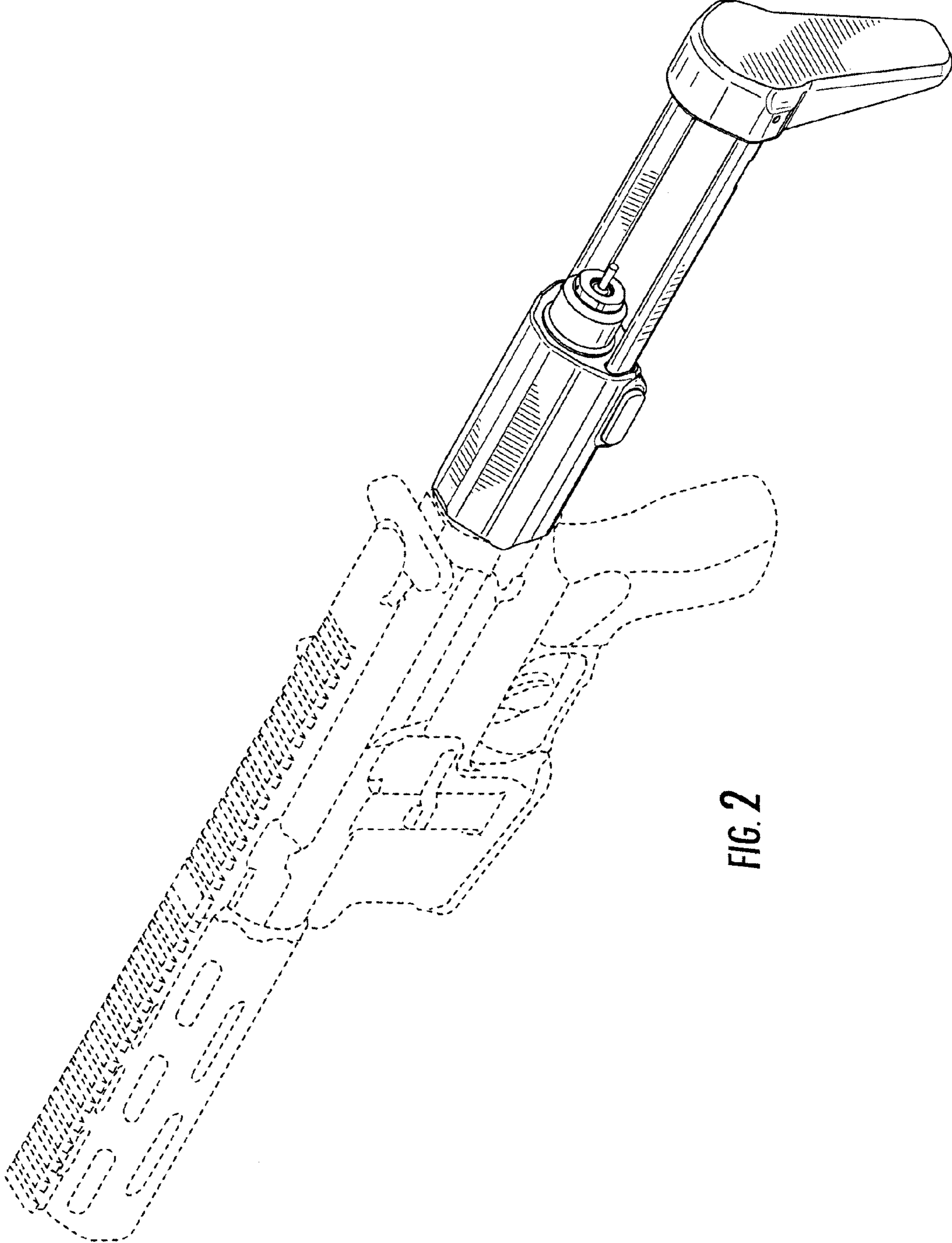


FIG. 2

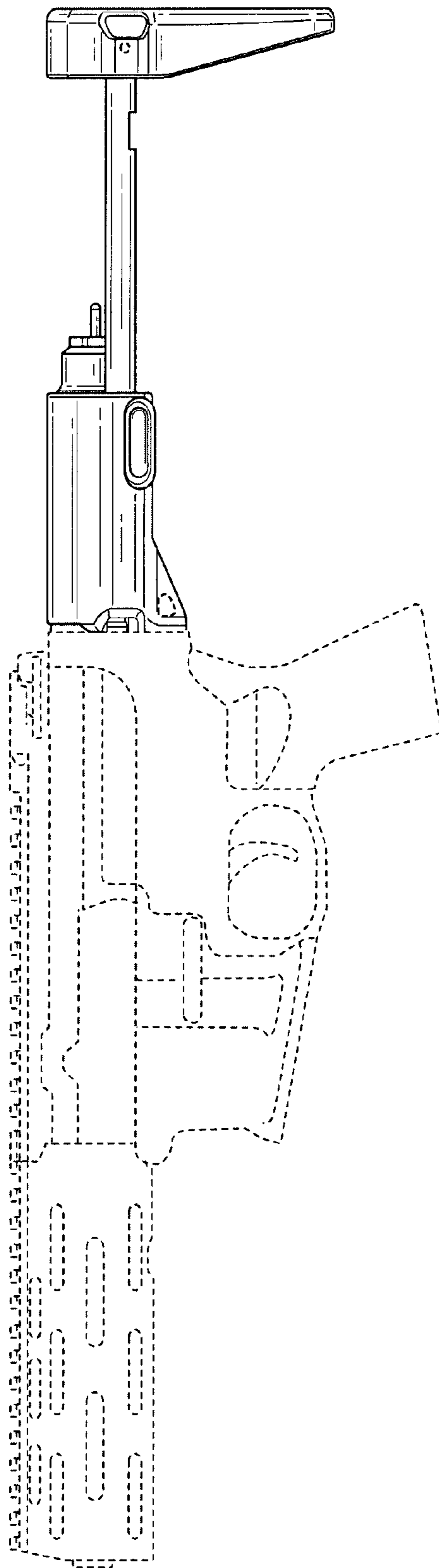


FIG. 3

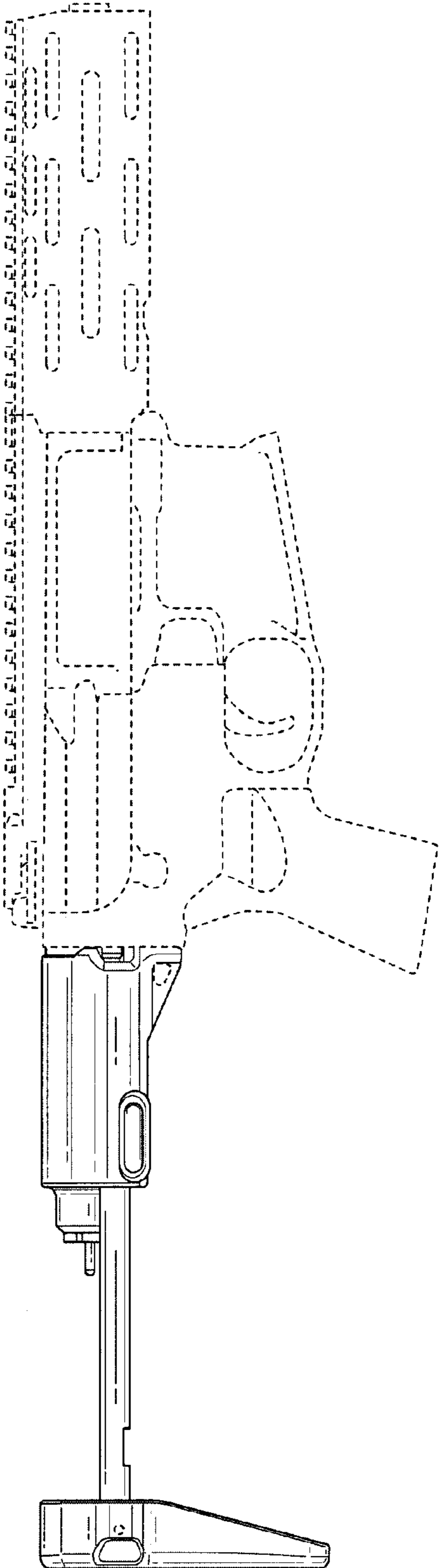


FIG. 4

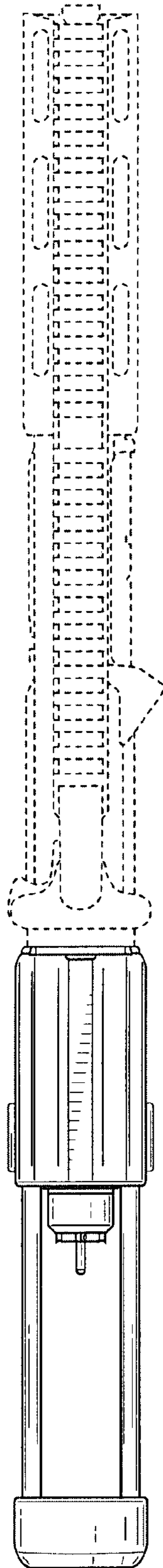


FIG. 5

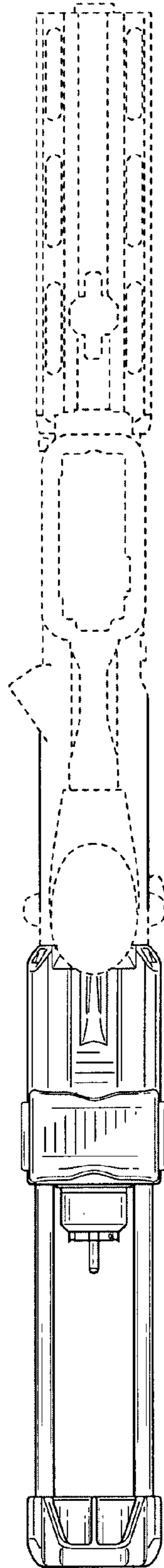


FIG. 6

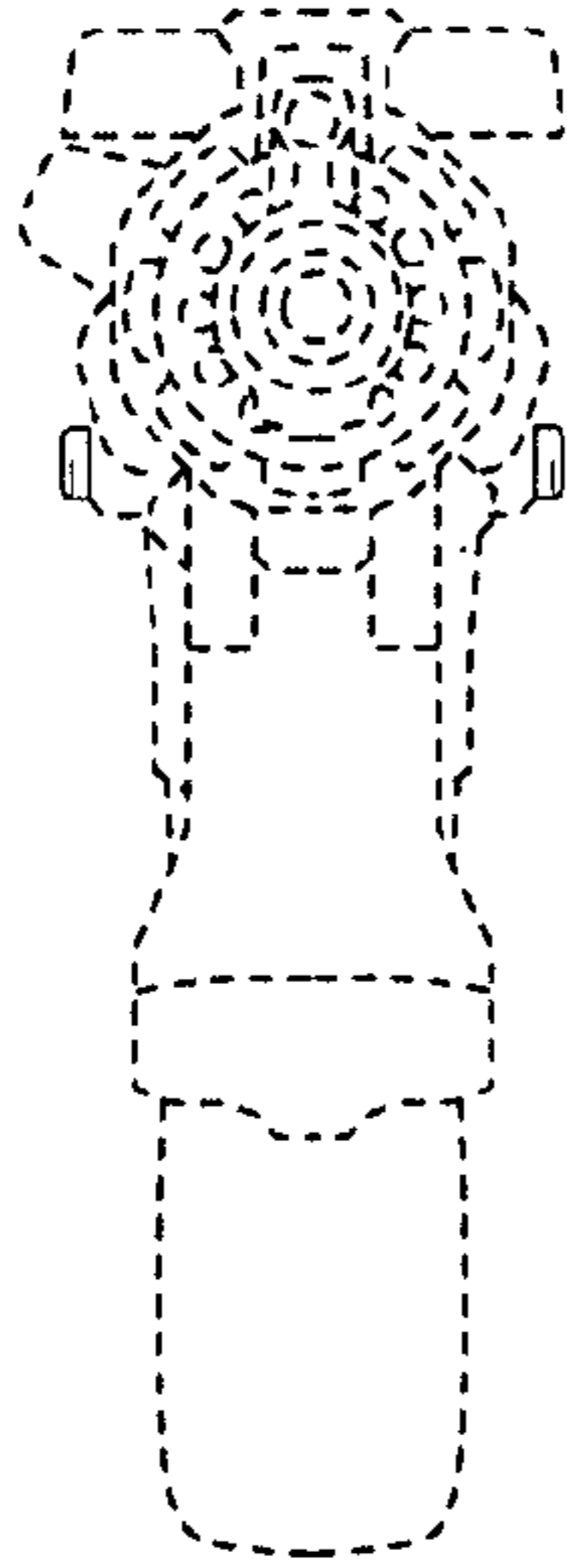


FIG. 7

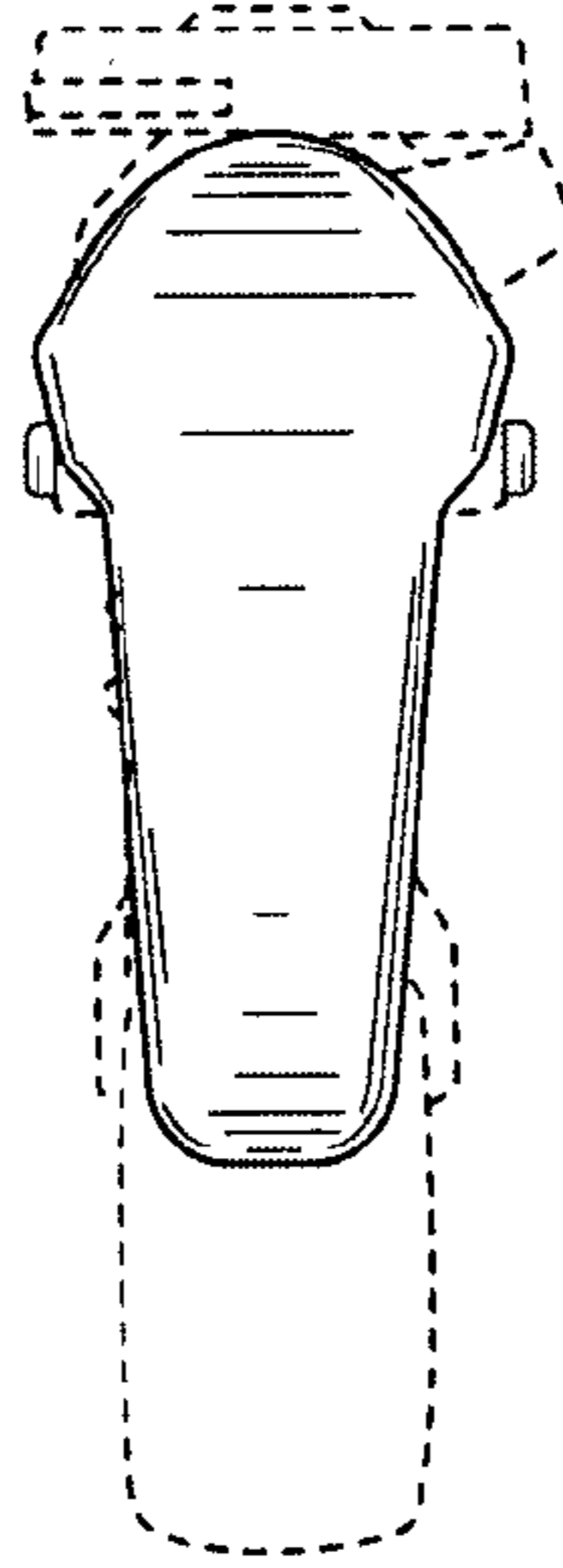


FIG. 8

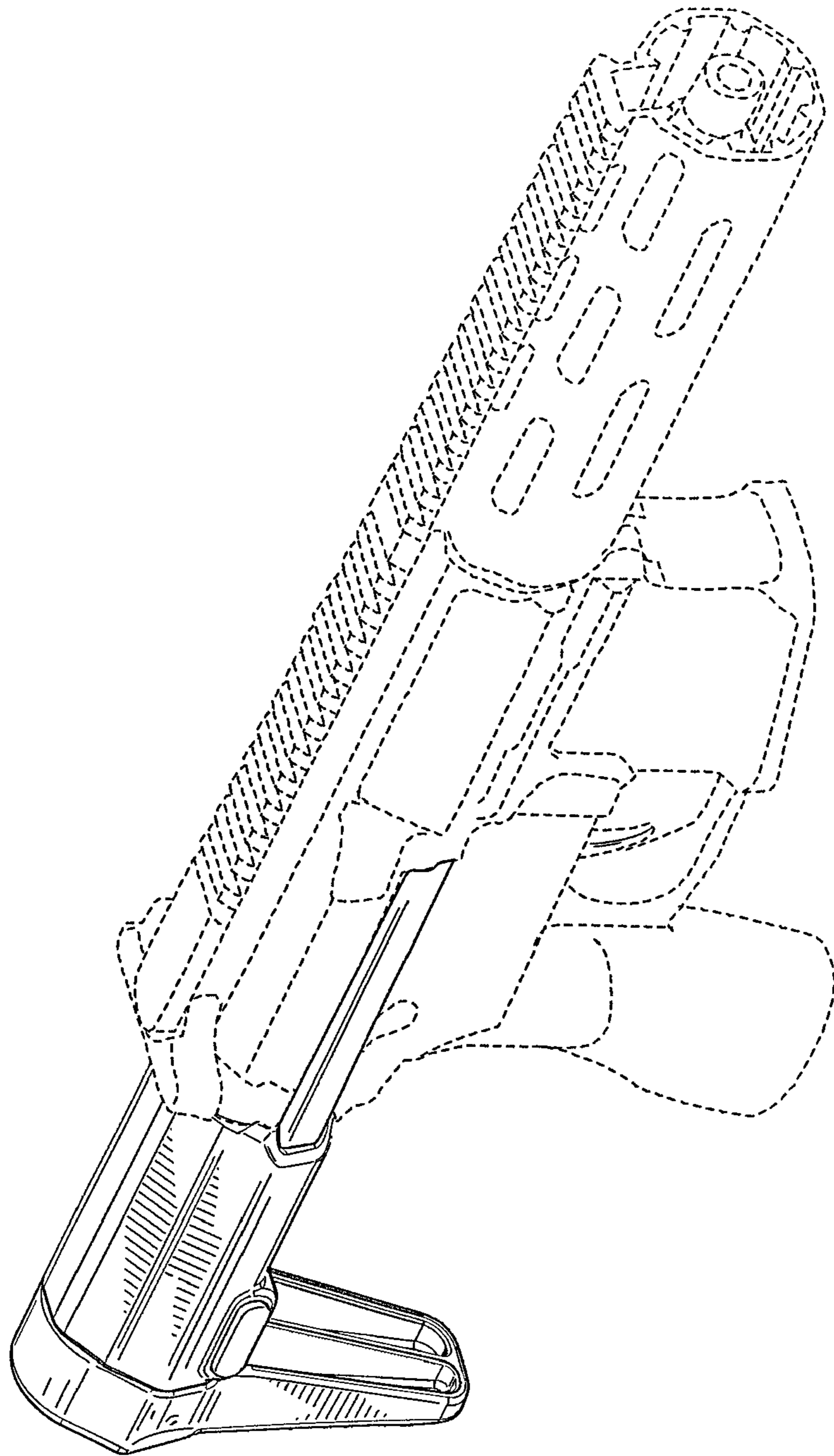


FIG. 9

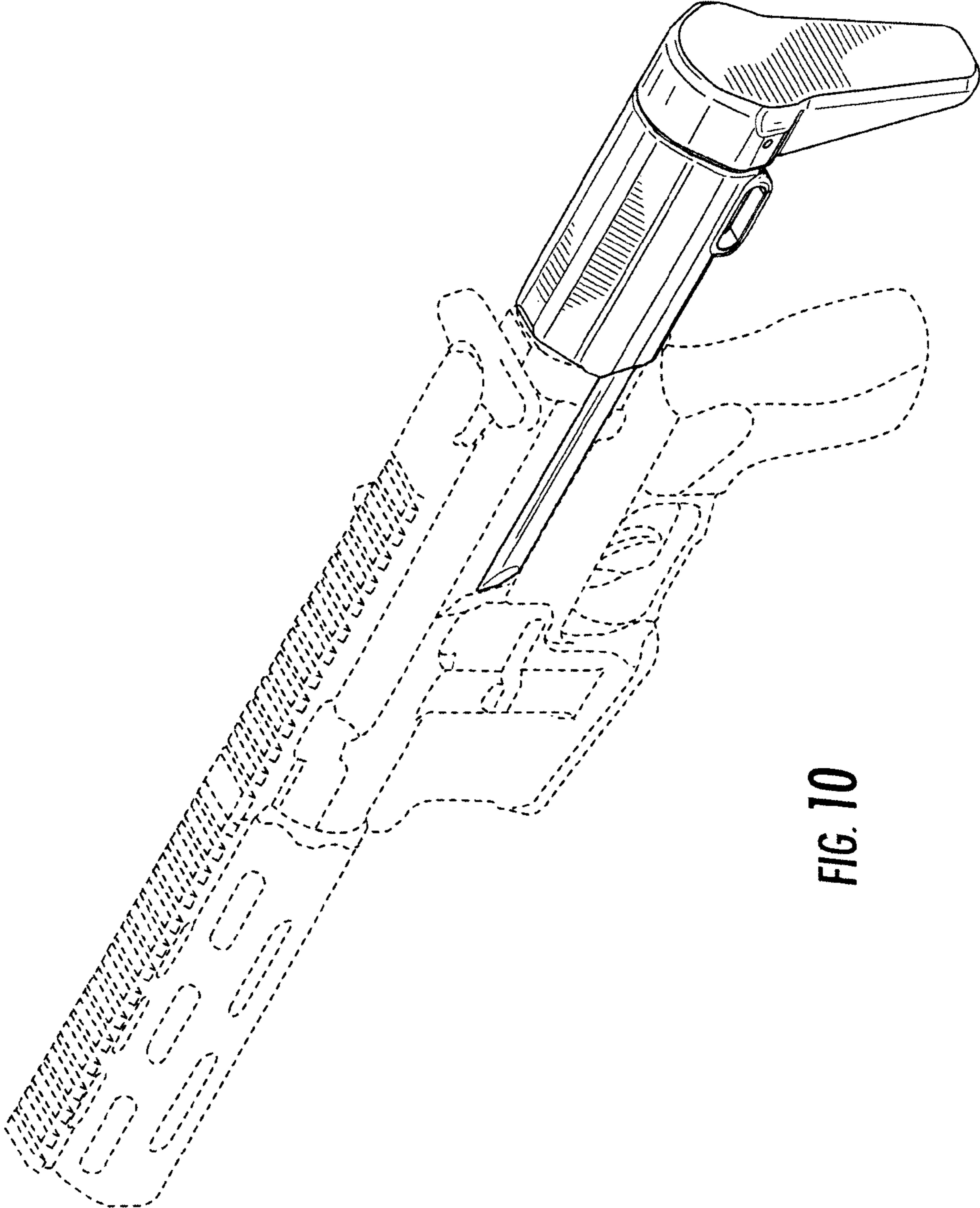


FIG. 10

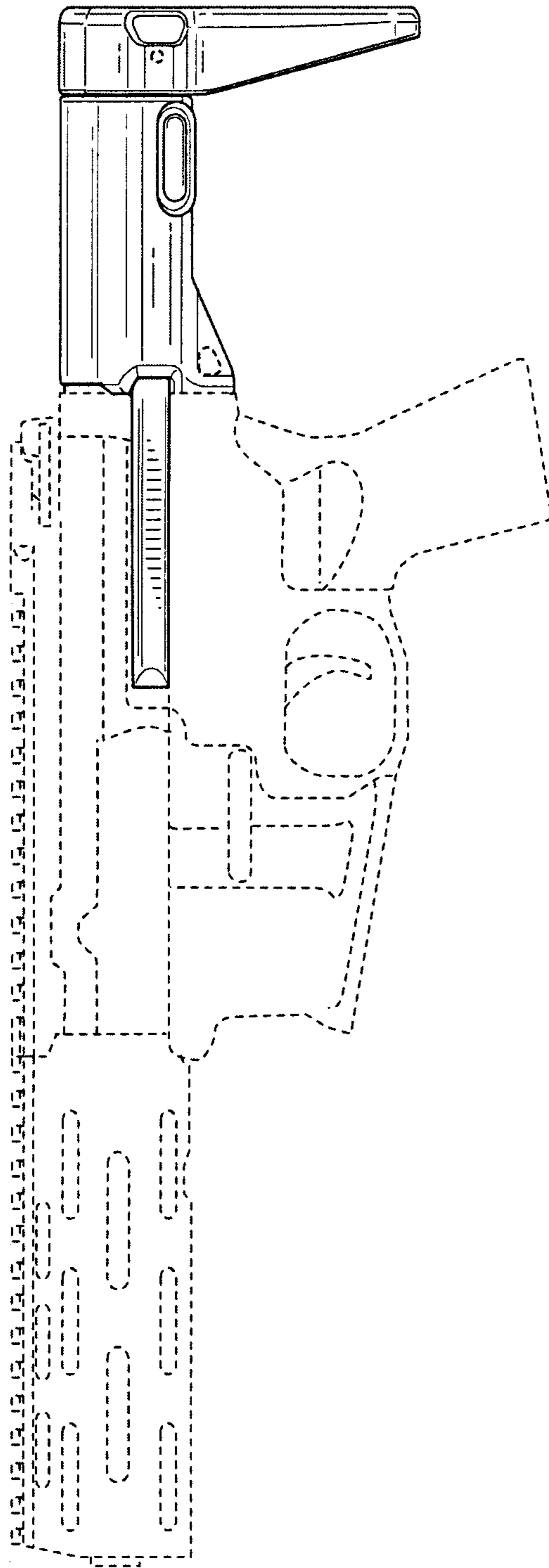


FIG. 11

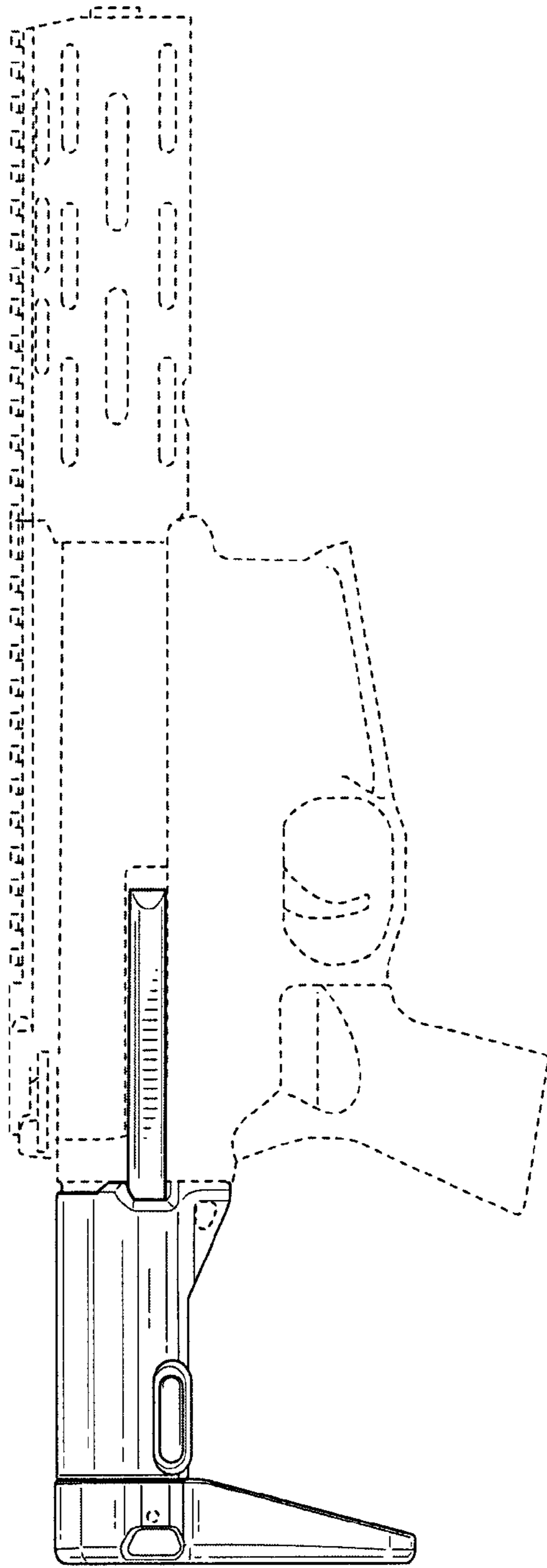


FIG. 12

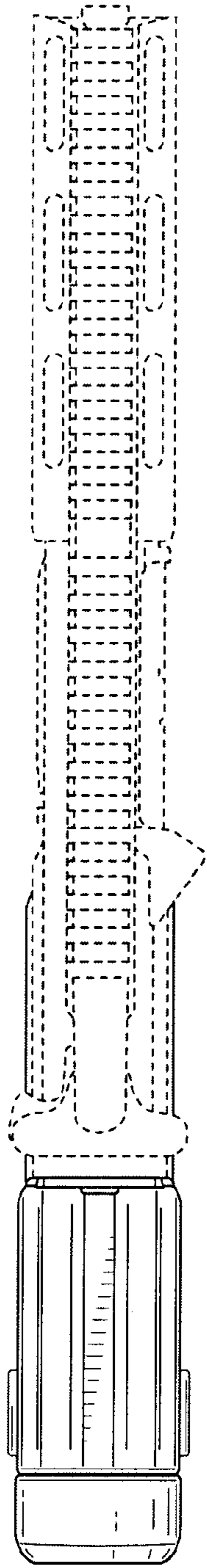


FIG. 13

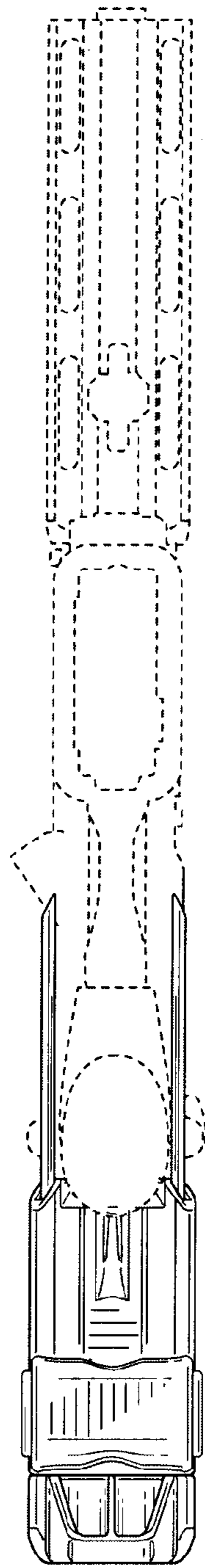


FIG. 14

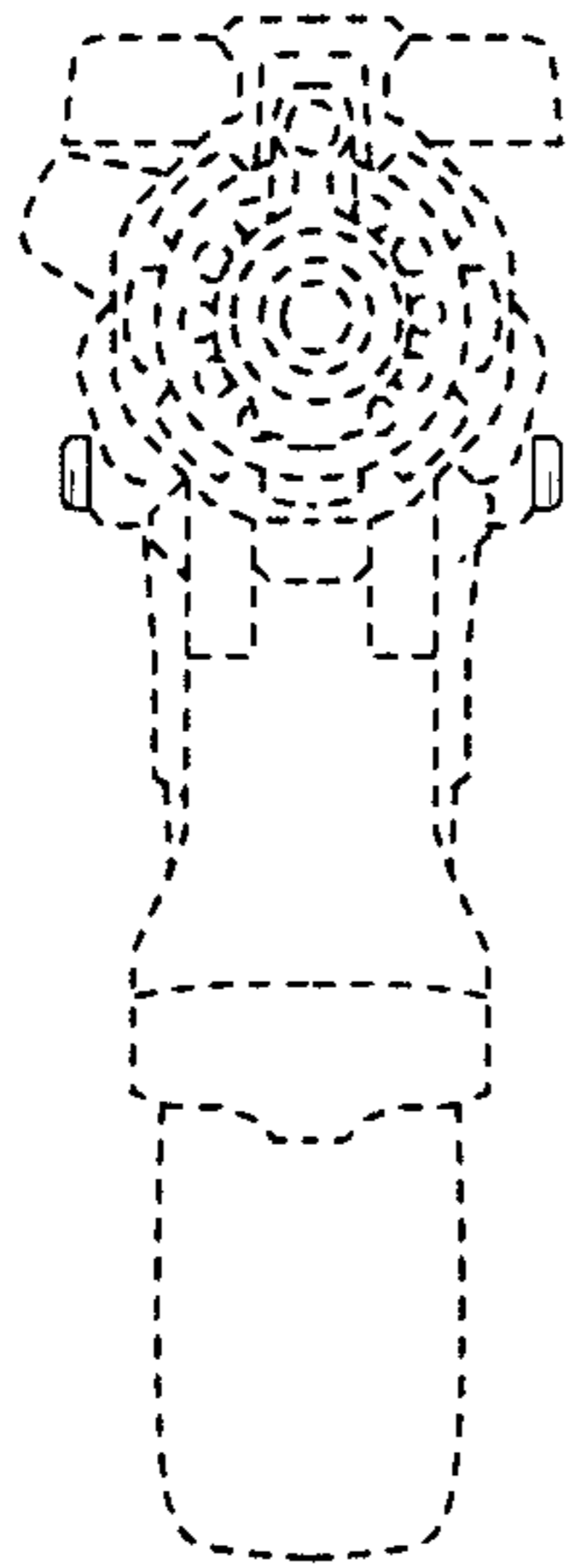


FIG. 15

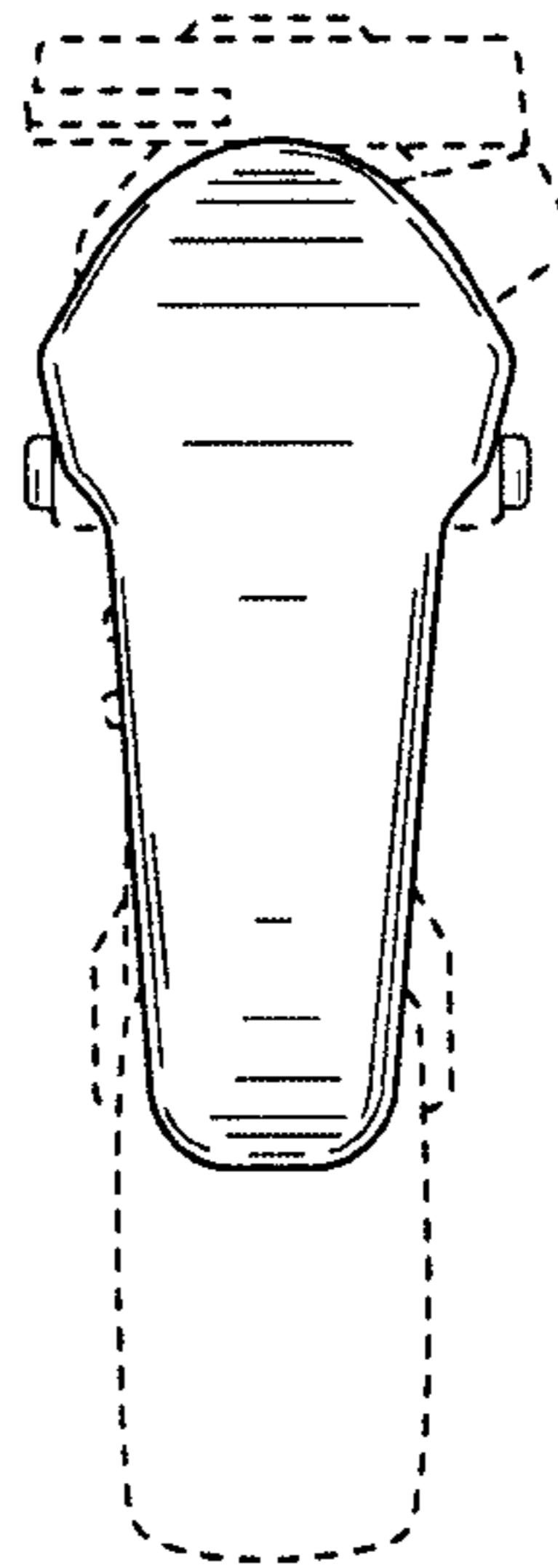


FIG. 16