



US00D716398S

(12) **United States Design Patent**  
**Barnett**

(10) **Patent No.:** **US D716,398 S**  
(45) **Date of Patent:** **\*\* Oct. 28, 2014**

- (54) **CROSSBOW**
- (71) Applicant: **Barnett Outdoors, LLC**, Tarpon Springs, FL (US)
- (72) Inventor: **David A. Barnett**, Tarpon Springs, FL (US)
- (73) Assignee: **Barnett Outdoors, LLC**, Tarpon Springs, FL (US)
- (\*\*) Term: **14 Years**
- (21) Appl. No.: **29/459,602**
- (22) Filed: **Jul. 2, 2013**
- (51) **LOC (10) Cl.** ..... **22-01**
- (52) **U.S. Cl.**  
USPC ..... **D22/107**
- (58) **Field of Classification Search**  
CPC ..... F41B 5/01; F41B 5/06; F41B 5/10;  
F41B 5/12; F41B 5/14; F41B 5/0026; F41B  
5/0031; F41B 5/0052; F41B 5/073; F41B  
5/078  
USPC ..... D22/107; 124/23.1, 25.6, 86, 88;  
D21/572  
See application file for complete search history.

7,997,258	B2 *	8/2011	Shepley et al.	124/25
8,191,541	B2 *	6/2012	Shaffer et al.	124/25
8,627,811	B1 *	1/2014	Darlington	124/25
8,701,641	B2 *	4/2014	Biafore, Jr.	124/25
8,701,642	B2 *	4/2014	Biafore et al.	124/25
2010/0116260	A1 *	5/2010	Malucelli	124/25.6
2011/0030666	A1 *	2/2011	Darlington	124/25
2012/0298087	A1 *	11/2012	Trpkovski	124/25
2014/0069402	A1 *	3/2014	McPherson	124/25

\* cited by examiner

*Primary Examiner* — Michael A Pratt  
(74) *Attorney, Agent, or Firm* — Jones Walker LLP

(57) **CLAIM**

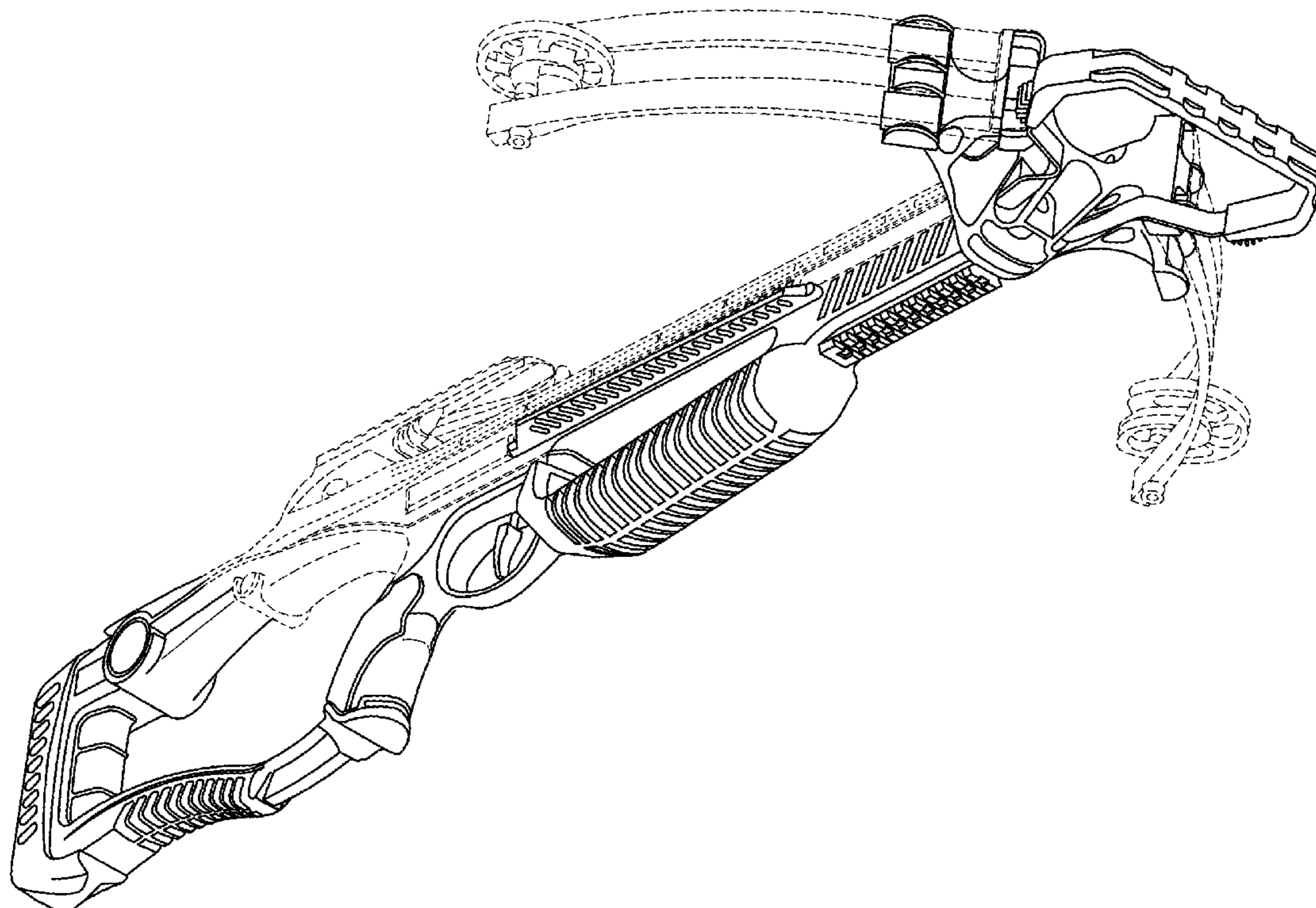
I claim the ornamental design for a crossbow, as shown and described.

**DESCRIPTION**

FIG. 1 is a perspective, bottom view of my new design;  
FIG. 2 is a perspective, side view thereof;  
FIG. 3 is a top view thereof;  
FIG. 4 is a bottom view thereof;  
FIG. 5 is a front view thereof;  
FIG. 6 is a rear view thereof;  
FIG. 7 is a right side view thereof;  
FIG. 8 is a left side view thereof;  
FIG. 9 is another right side view thereof; and,  
FIG. 10 is another left side view thereof.  
The broken lines in FIGS. 1-10 are for illustrative purposes and form no part of the claimed design.

**1 Claim, 8 Drawing Sheets**

- (56) **References Cited**  
U.S. PATENT DOCUMENTS  
5,062,406 A \* 11/1991 Robertson ..... 124/25  
7,810,480 B2 \* 10/2010 Shepley et al. .... 124/25



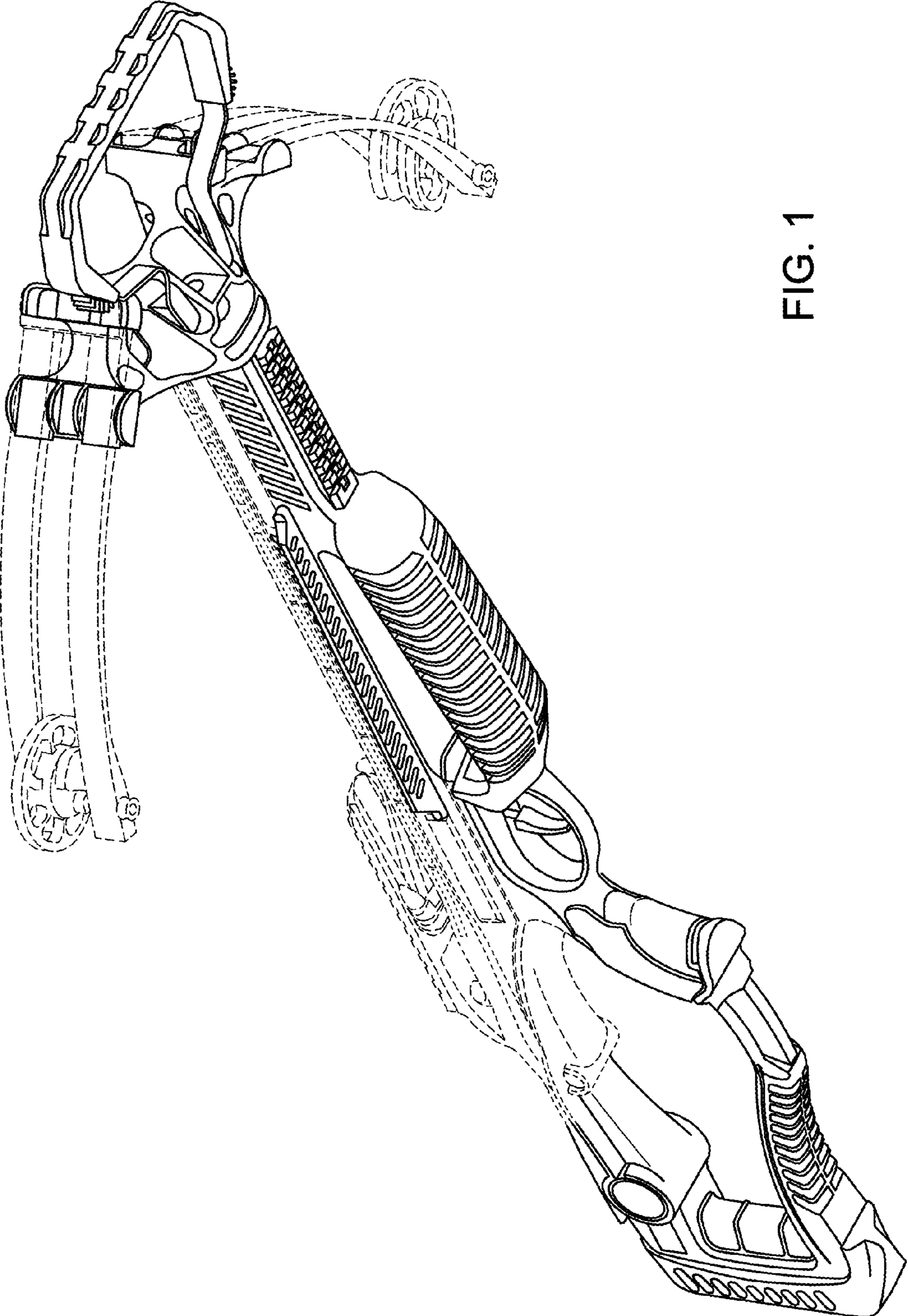


FIG. 1

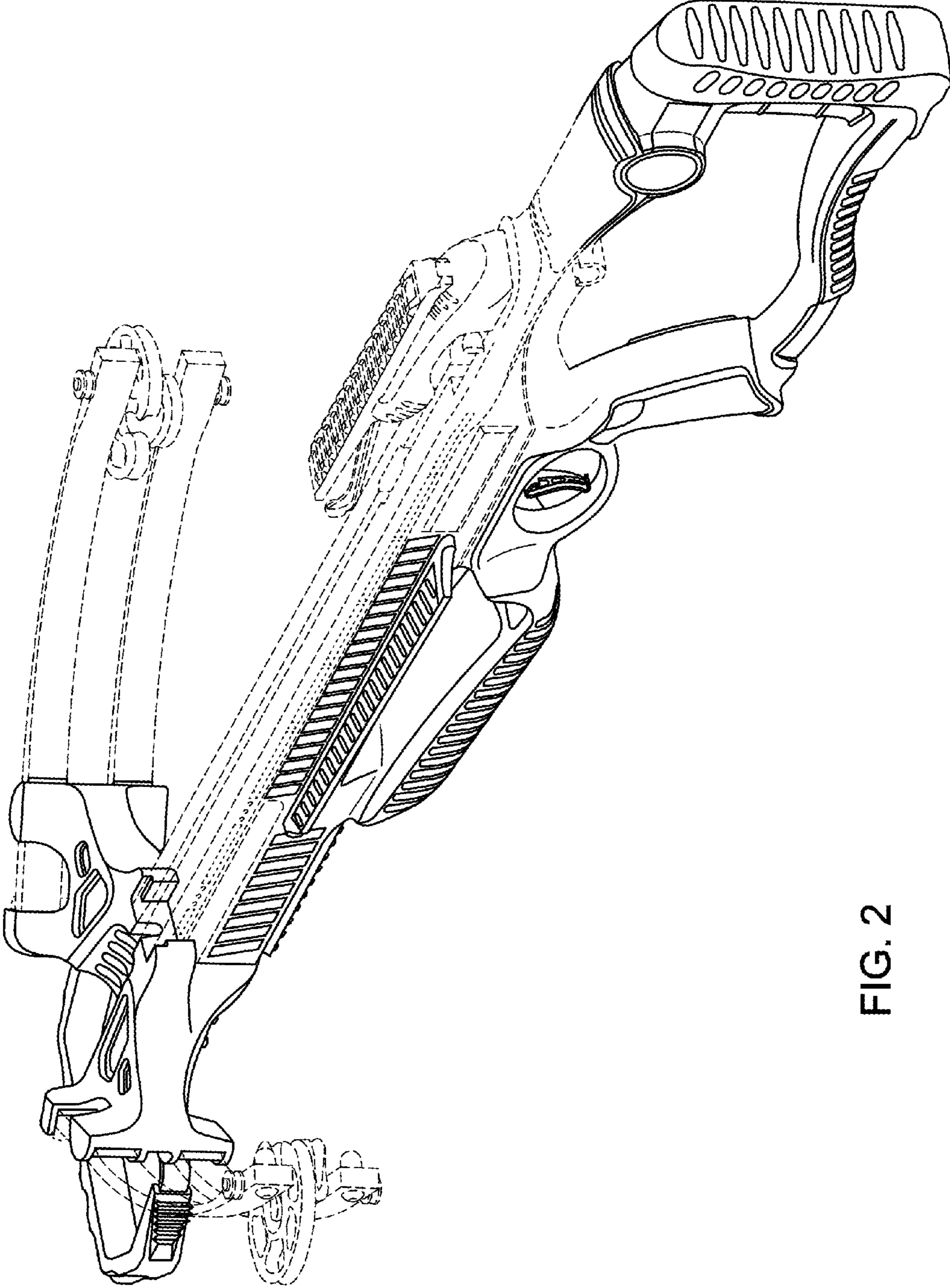


FIG. 2

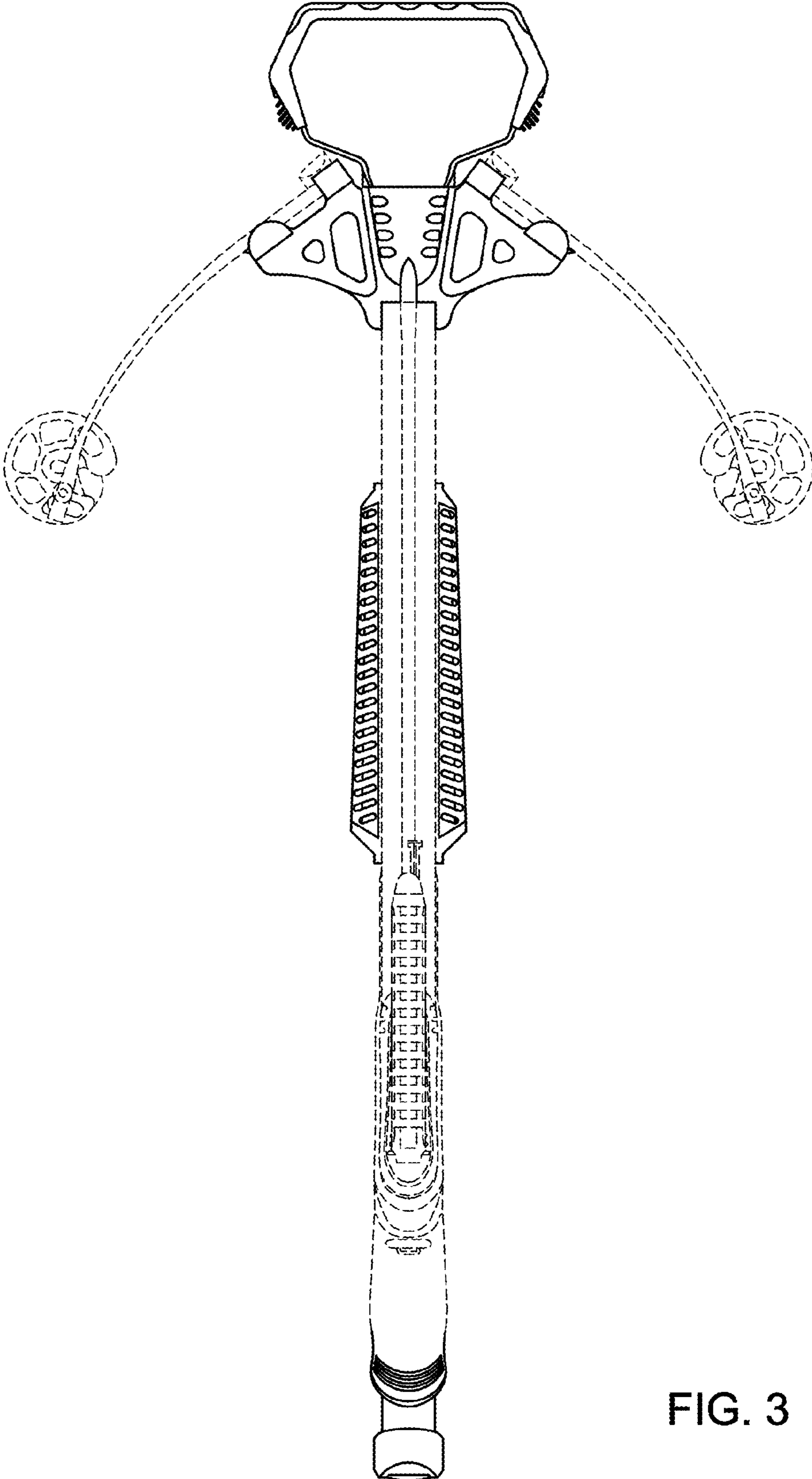


FIG. 3

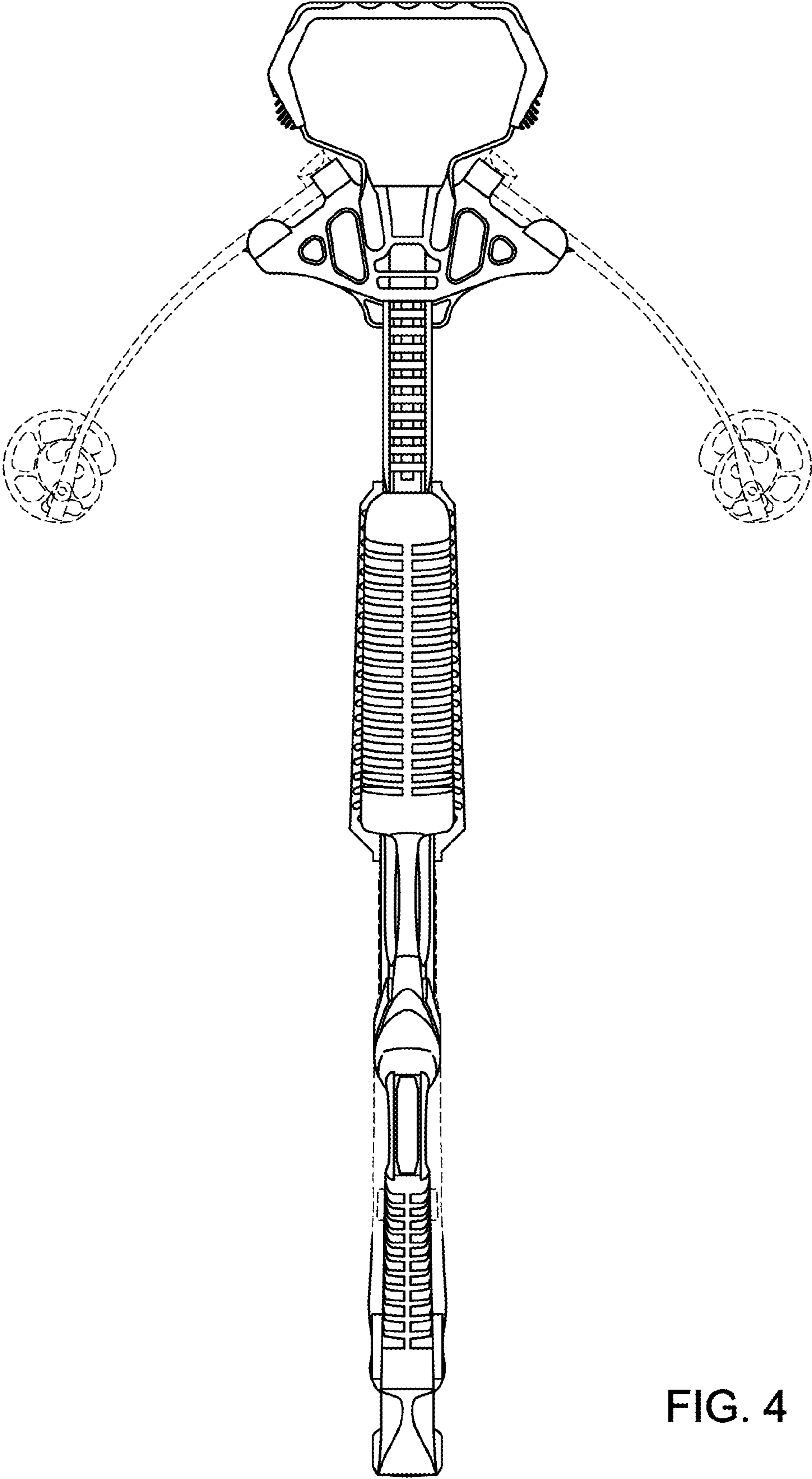


FIG. 4

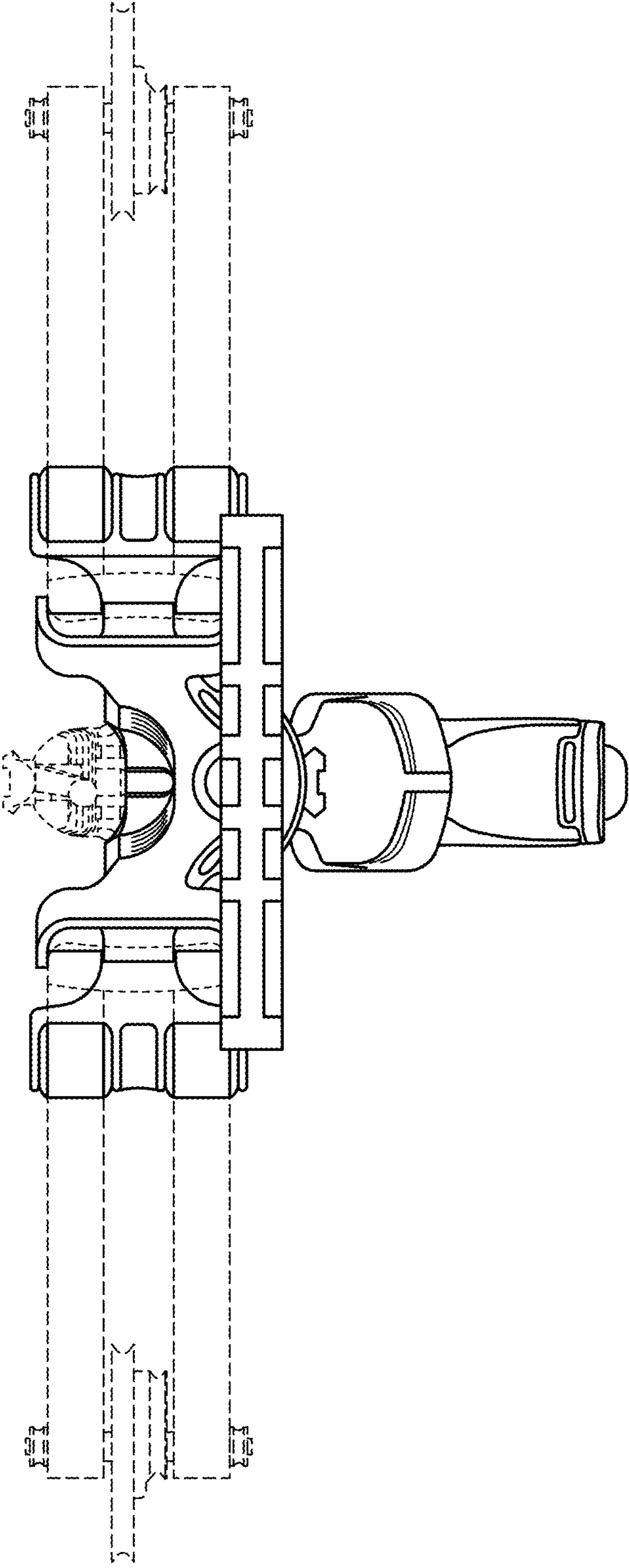


FIG. 5

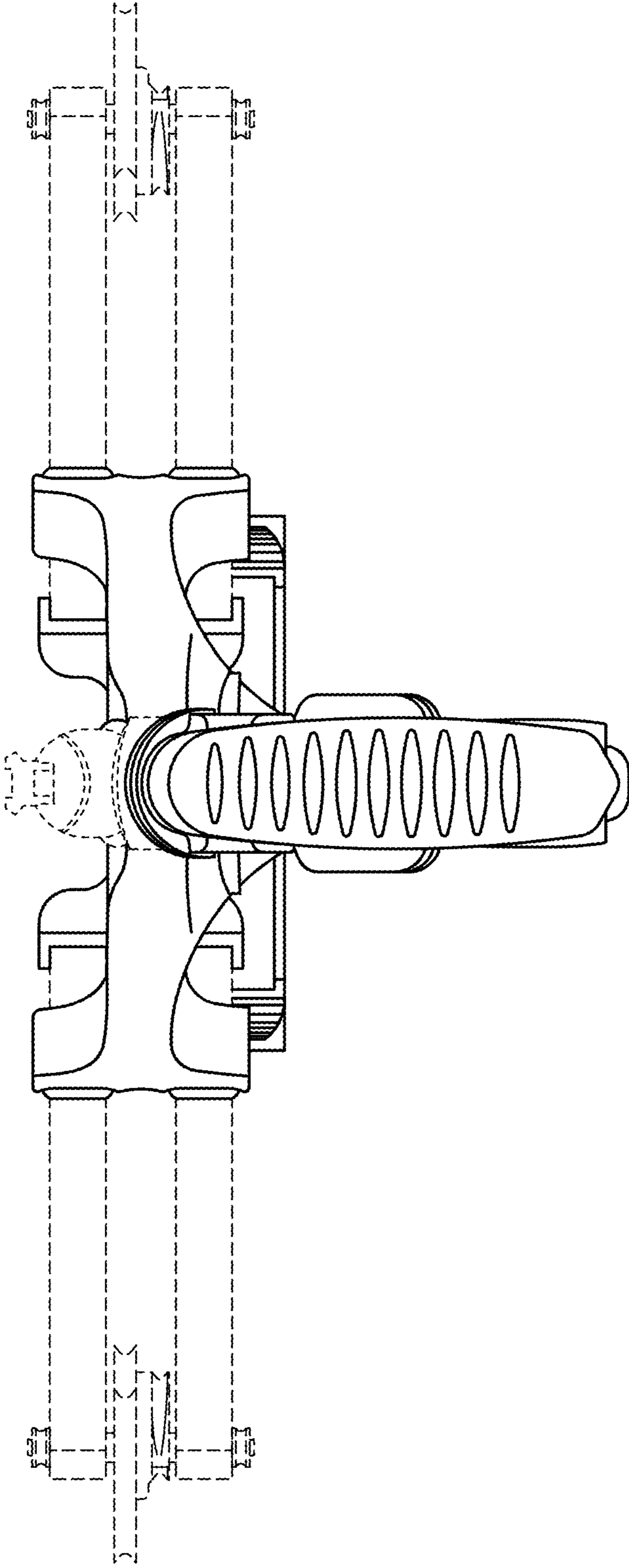


FIG. 6

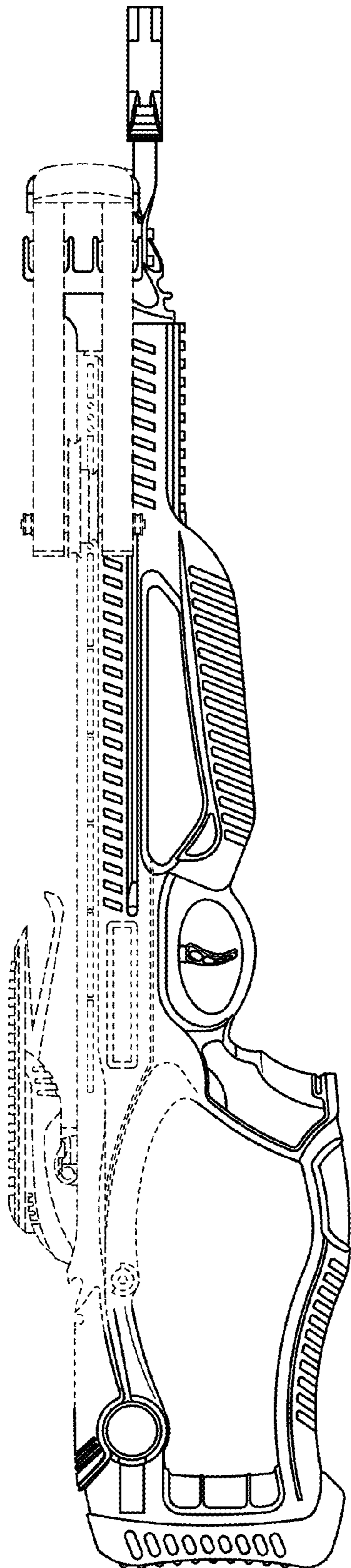


FIG. 7

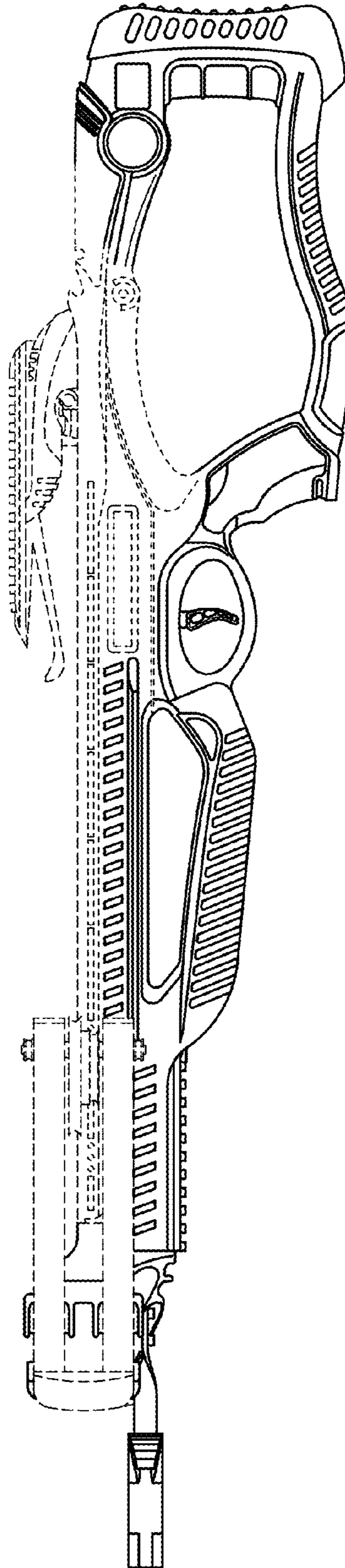


FIG. 8



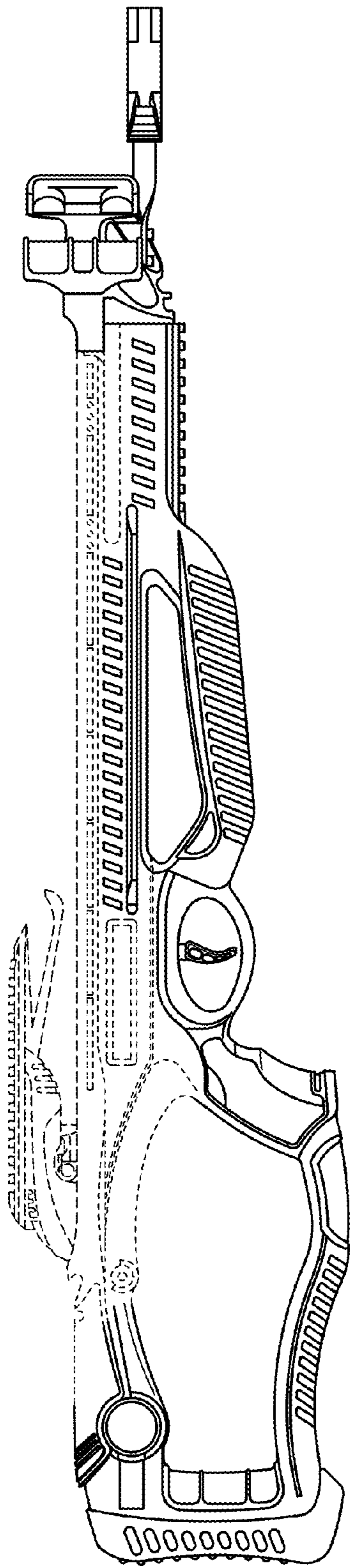


FIG. 9

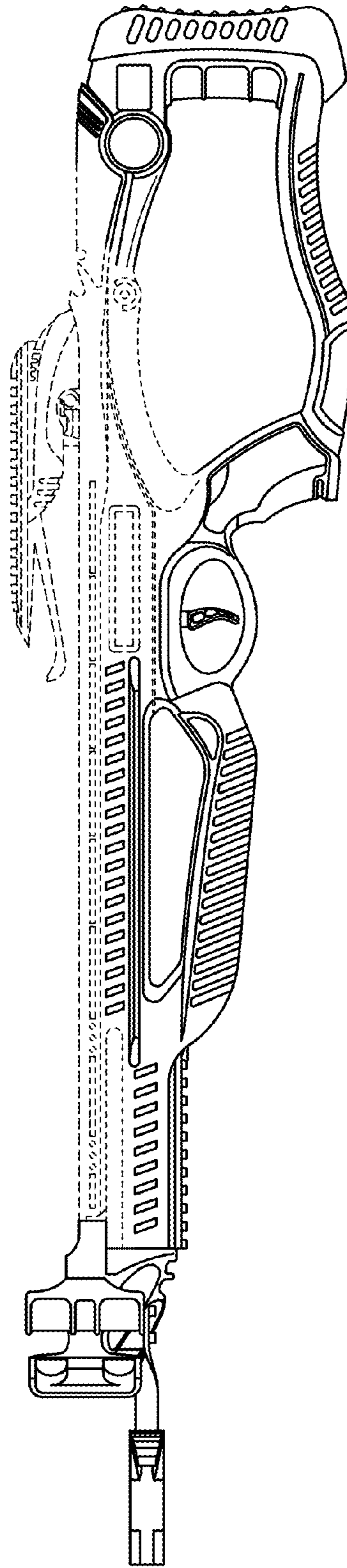


FIG. 10