



US00D716396S

(12) **United States Design Patent**
Rothmann

(10) **Patent No.:** **US D716,396 S**

(45) **Date of Patent:** **** Oct. 28, 2014**

(54) **PISTOL**

(71) Applicant: **Martin Konrad Rothmann,**
Ebsdorfergrund (DE)

(72) Inventor: **Martin Konrad Rothmann,**
Ebsdorfergrund (DE)

(**) Term: **14 Years**

(21) Appl. No.: **29/461,816**

(22) Filed: **Jul. 28, 2013**

(51) **LOC (10) Cl.** **22-01**

(52) **U.S. Cl.**
USPC **D22/104**

(58) **Field of Classification Search**

CPC F41C 3/00; F41C 3/005; F41C 3/02;
F41C 3/04; F41C 3/06; F41C 3/14; F41C
3/16; F41C 9/02; F41C 9/04; F41C 9/06;
F41C 9/08

USPC D22/104, 108; 89/40.06, 41.19, 37.04,
89/33.04, 191.01, 200-204; D21/145,
D21/146, 147, 567, 572, 573-575; 42/40,
42/41, 42.01, 42.02, 42.03, 43, 44, 45, 57,
42/69.01, 71.02, 72, 100; 124/31, 37;
362/110, 113

See application file for complete search history.

(56) **References Cited**

U.S. PATENT DOCUMENTS

1,563,675 A * 12/1925 Tansley 89/128
1,896,820 A * 2/1933 Jolidon 89/148
3,138,991 A * 6/1964 Malter 89/14.3
3,159,080 A * 12/1964 Freed 89/148

3,682,040 A * 8/1972 Roy 89/132
4,321,764 A * 3/1982 Wilhelm 42/69.03
4,358,987 A * 11/1982 Wilhelm 89/196
4,580,484 A * 4/1986 Moore 89/128
4,800,665 A * 1/1989 Schumaker 42/71.02
6,345,463 B1 * 2/2002 Baer, Sr. 42/97
6,477,802 B2 * 11/2002 Baer, Sr. 42/97
6,604,445 B2 * 8/2003 Sevastian 89/14.3
7,047,686 B2 * 5/2006 Zimmermann 42/75.1
7,698,845 B2 * 4/2010 Hochstrate et al. 42/69.03
7,703,232 B1 * 4/2010 Johns 42/108
8,418,391 B2 * 4/2013 Kemmerer et al. 42/70.05
8,584,390 B1 * 11/2013 Fraher et al. 42/71.02
2012/0124881 A1 * 5/2012 Castaneda 42/90
2013/0019510 A1 * 1/2013 Kemmerer et al. 42/1.01
2013/0125441 A1 * 5/2013 Westwood et al. 42/70.05
2013/0333262 A1 * 12/2013 McClave 42/70.05

* cited by examiner

Primary Examiner — Michael A Pratt

(74) *Attorney, Agent, or Firm* — Smartpat PLC; Axel Nix

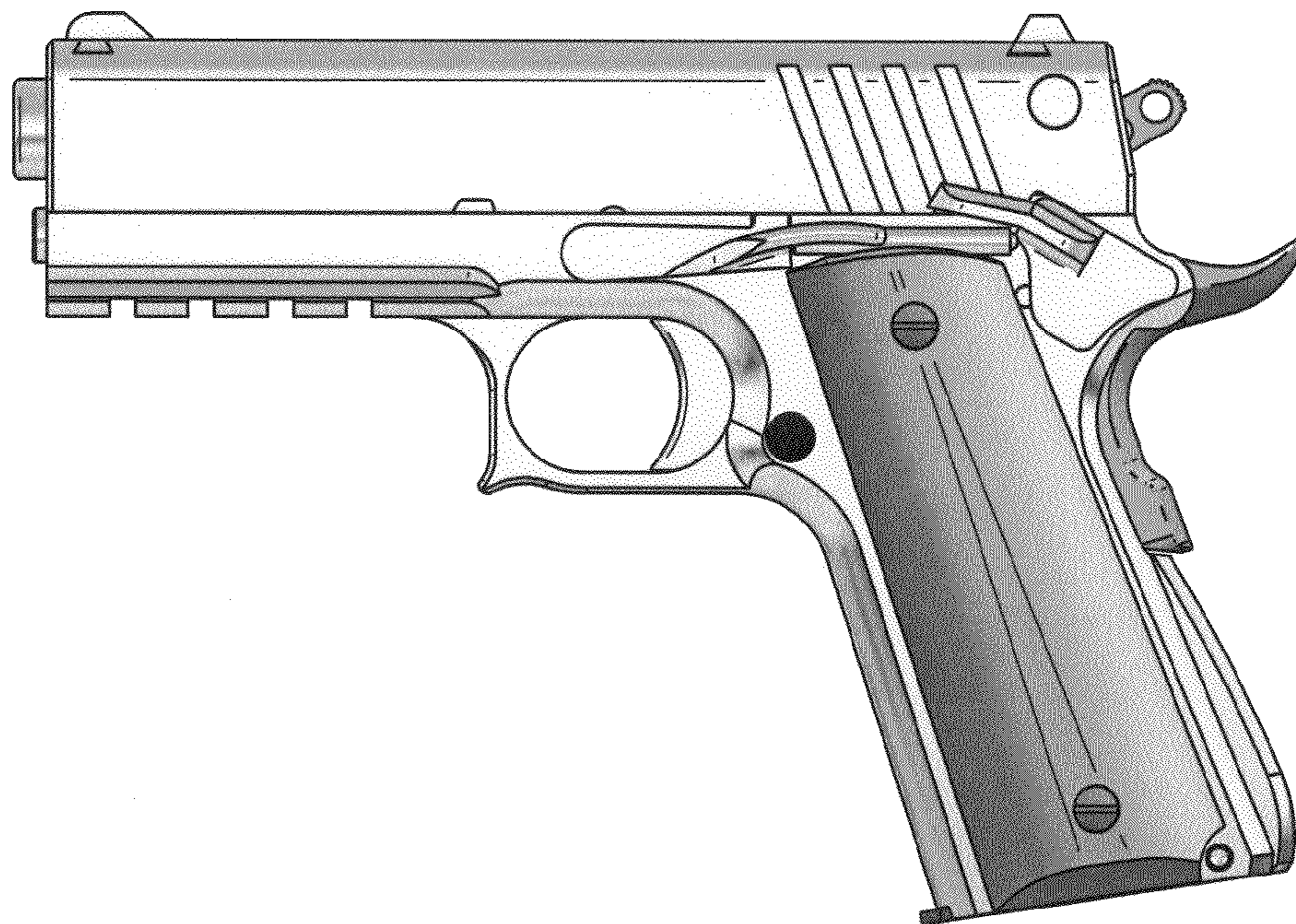
(57) **CLAIM**

I claim the ornamental design for a pistol, as shown and described.

DESCRIPTION

FIG. 1 is a left side view of a pistol showing my new design;
FIG. 2 is a top view thereof;
FIG. 3 is a bottom view thereof;
FIG. 4 is a front view thereof;
FIG. 5 is a rear view thereof;
FIG. 6 is a right side view thereof;
FIG. 7 is a top, front, left side perspective view thereof; and,
FIG. 8 is a top, rear, right side perspective view thereof.

1 Claim, 2 Drawing Sheets



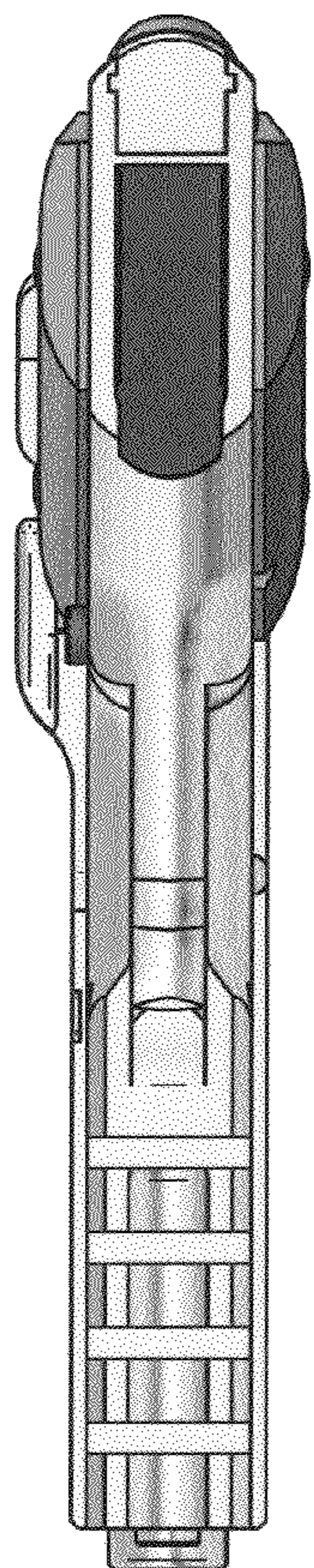


Fig 3

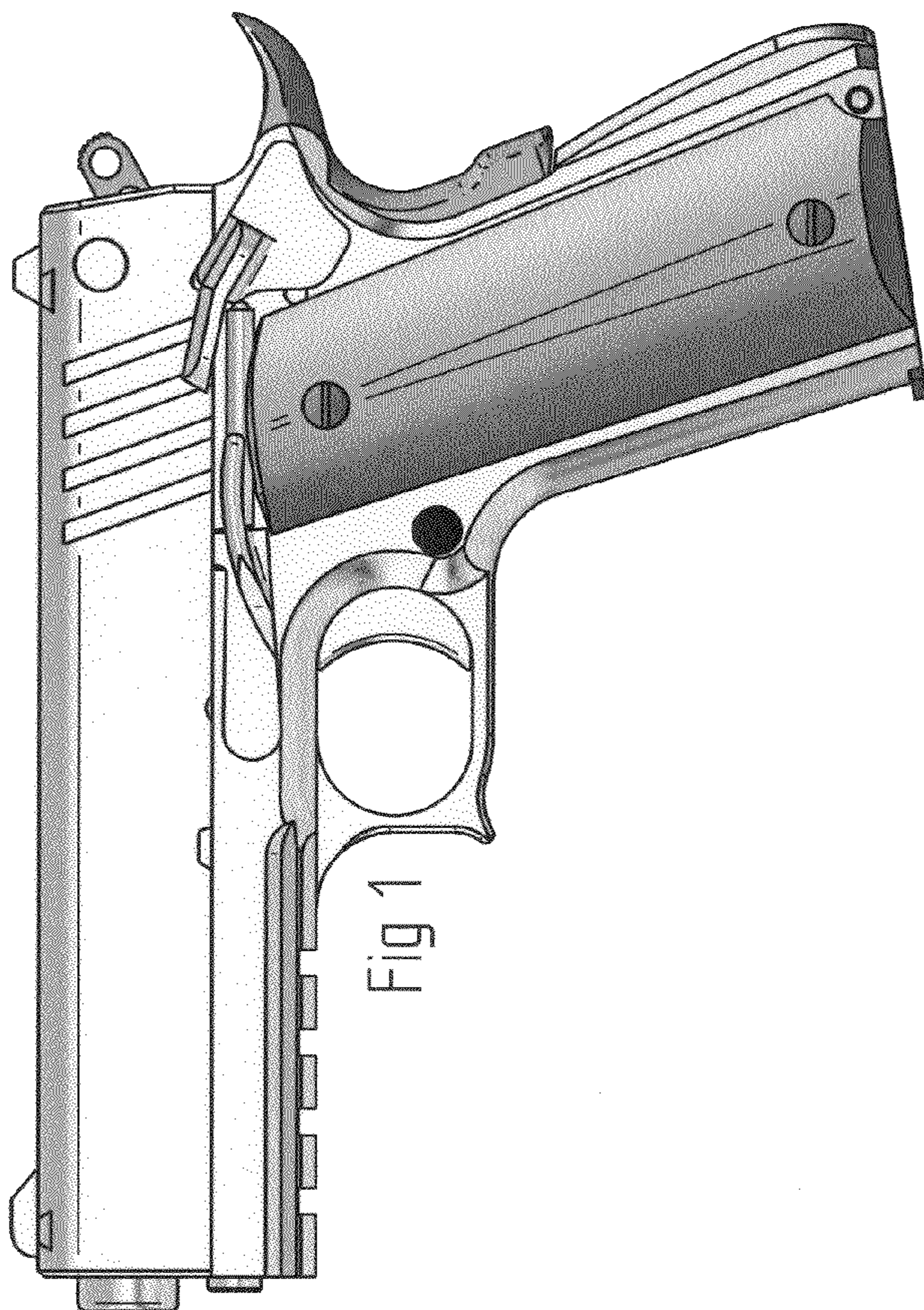


Fig 1

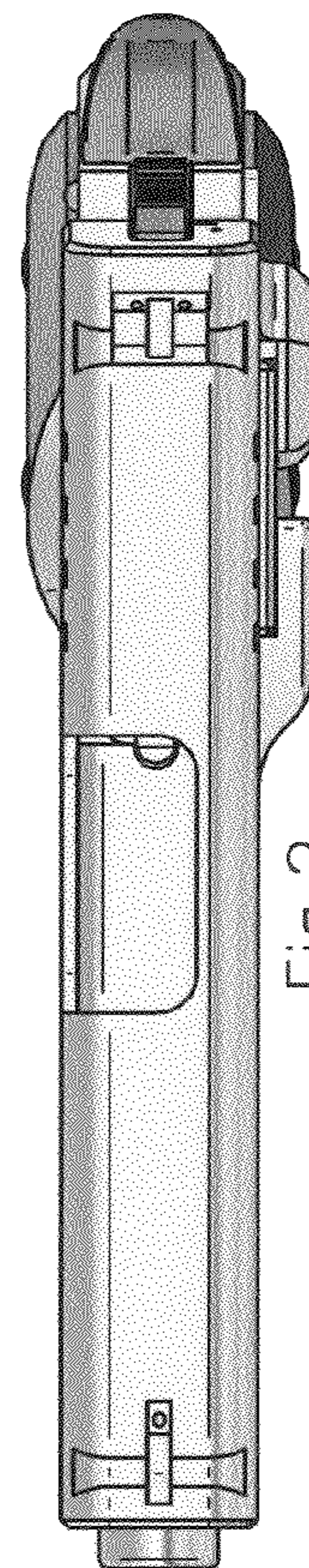


Fig 2

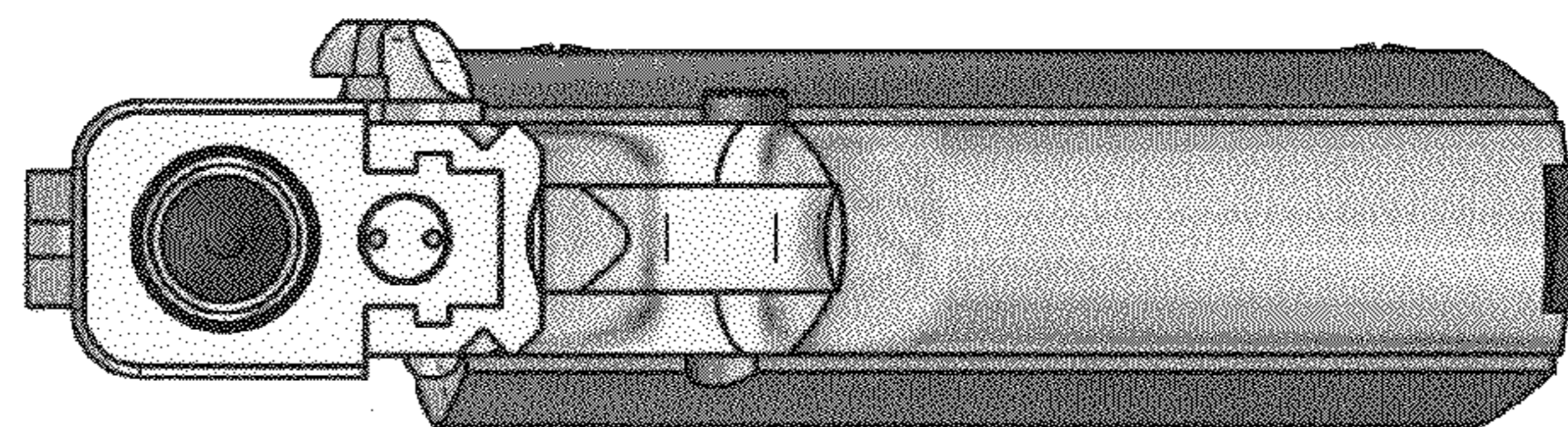


Fig 4

